



US00D673533S

(12) **United States Design Patent**
Ennabli

(10) **Patent No.:** **US D673,533 S**

(45) **Date of Patent:** **** Jan. 1, 2013**

(54) **RFID TAG HOUSING**

(75) **Inventor:** **Elies Ennabli**, Lausanne (CH)

(73) **Assignee:** **Assa Abloy AB** (SE)

(**) **Term:** **14 Years**

(21) **Appl. No.:** **29/379,506**

(22) **Filed:** **Nov. 19, 2010**

(51) **LOC (9) Cl.** **14-03**

(52) **U.S. Cl.** **D14/230**

(58) **Field of Classification Search** D14/138,
D14/230–238, 299, 358; D12/42, 43; 343/700
R–705, 711–713, 735, 736, 741, 748, 767,
343/795, 819, 840, 846, 866, 871–908; 455/90.2,
455/90.3, 91, 128, 269, 344, 347, 562.1;
333/193, 195

See application file for complete search history.

(56) **References Cited**

U.S. PATENT DOCUMENTS

D147,106 S *	7/1947	Bradstock et al.	D13/184
D211,028 S *	5/1968	Zucconi et al.	D14/230
D302,924 S *	8/1989	Daenen et al.	D7/502
D406,590 S *	3/1999	Heiligenstein et al.	D14/230
D419,136 S *	1/2000	Tomizawa	D13/147
D424,028 S *	5/2000	Vaiani	D13/184
D425,068 S *	5/2000	Melin	D14/230
D425,071 S *	5/2000	Boswell	D14/240
D454,546 S *	3/2002	MacKay	D13/160
D455,408 S *	4/2002	Vackar	D13/184
D486,829 S *	2/2004	Wang et al.	D14/480.5
D486,995 S *	2/2004	Liu	D7/502
D535,982 S *	1/2007	Inoue	D14/230
D569,866 S *	5/2008	Turpault et al.	D14/385

D595,275 S *	6/2009	Skottke	D14/230
D595,699 S *	7/2009	Skottke	D14/230
D602,921 S *	10/2009	Skottke et al.	D14/230
D632,166 S *	2/2011	Spadotto	D8/396
D633,483 S	3/2011	Su et al.	
D649,534 S	11/2011	Mi et al.	
2011/0187603 A1	8/2011	Komaki et al.	
2011/0221637 A1	9/2011	Tu	
2011/0279328 A1	11/2011	Qi et al.	
2012/0013510 A1	1/2012	Yagi et al.	
2012/0019416 A1	1/2012	Gala Gala et al.	

OTHER PUBLICATIONS

U.S. Appl. No. 29/376,503, Ennabli, filed Nov. 19, 2010.

U.S. Appl. No. 29/379,505, Ennabli, filed Nov. 19, 2010.

* cited by examiner

Primary Examiner — John Windmuller

(74) *Attorney, Agent, or Firm* — Sheridan Ross P.C.

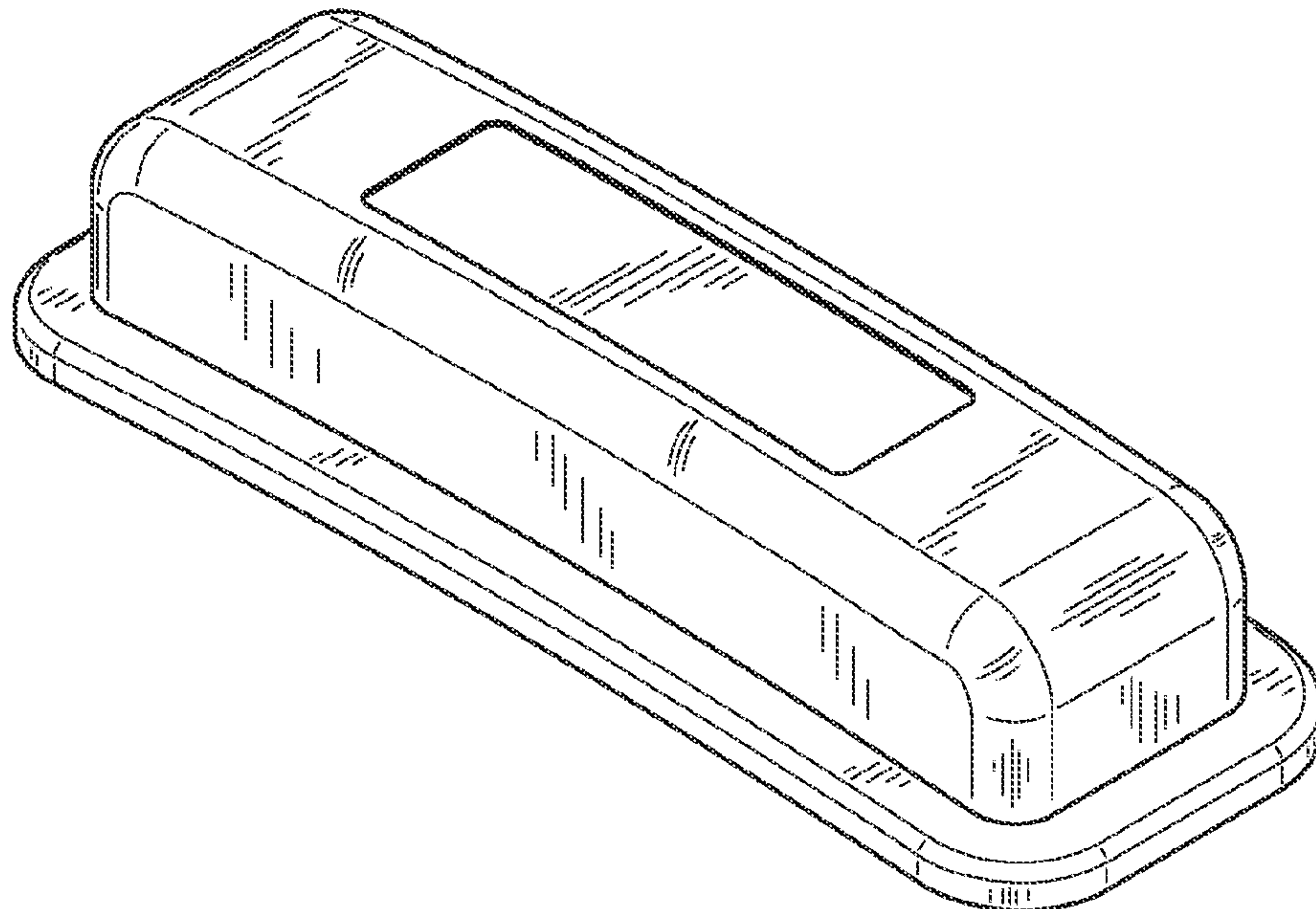
(57) **CLAIM**

The ornamental design for an RFID tag housing, as shown and described.

DESCRIPTION

FIG. 1 is a perspective view of an RFID tag housing; FIG. 2 is a top plan view thereof; FIG. 3 is a left side elevational view thereof, the right side elevational view is identical but symmetrically reversed; FIG. 4 is a bottom plan view thereof; FIG. 5 is a top plan elevational view thereof; FIG. 6 is a front elevational view thereof; and, FIG. 7 is a back elevational view thereof. The portions of the RFID tag housing illustrated in broken lines form no part of the claimed design.

1 Claim, 4 Drawing Sheets



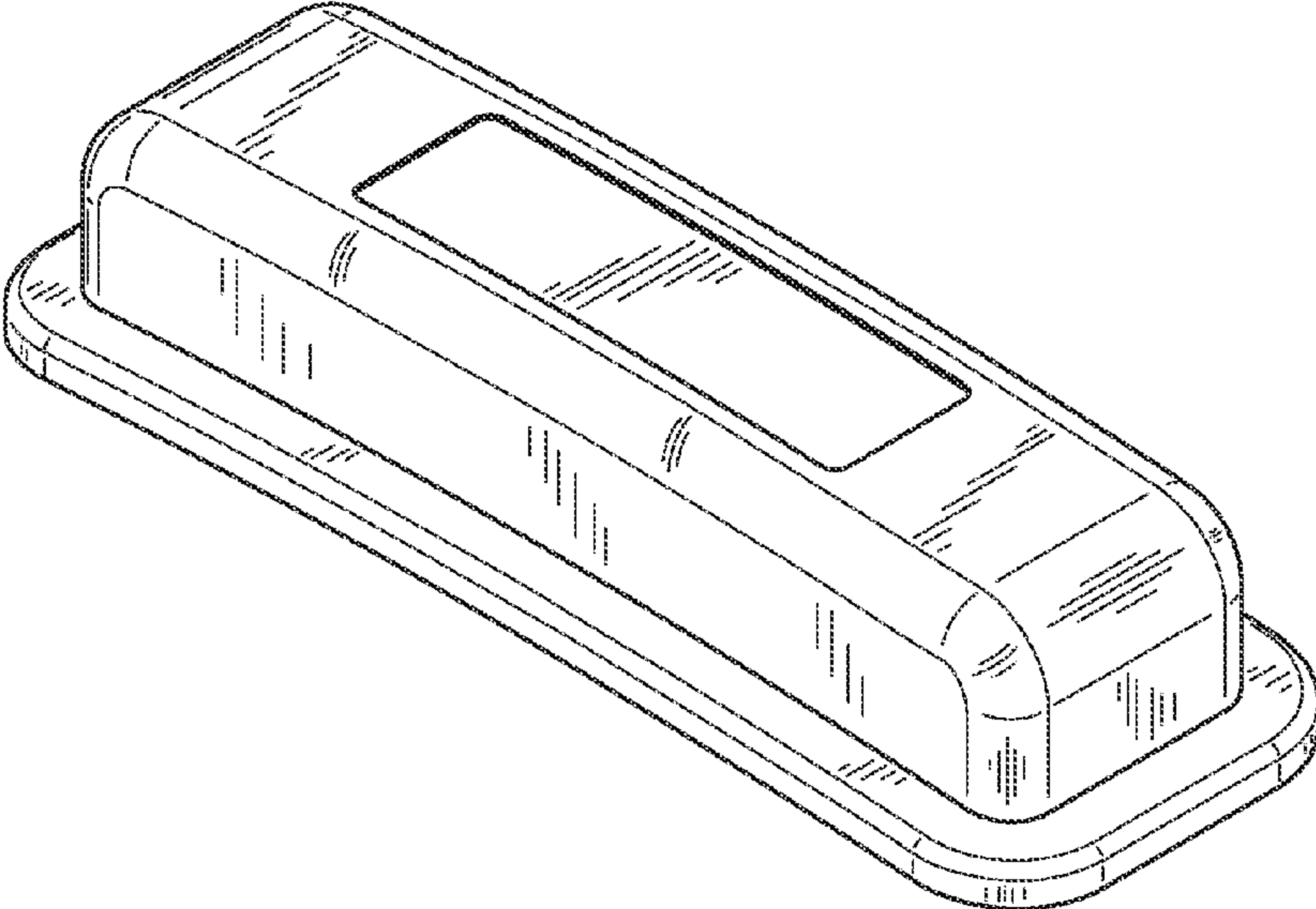


FIG.1

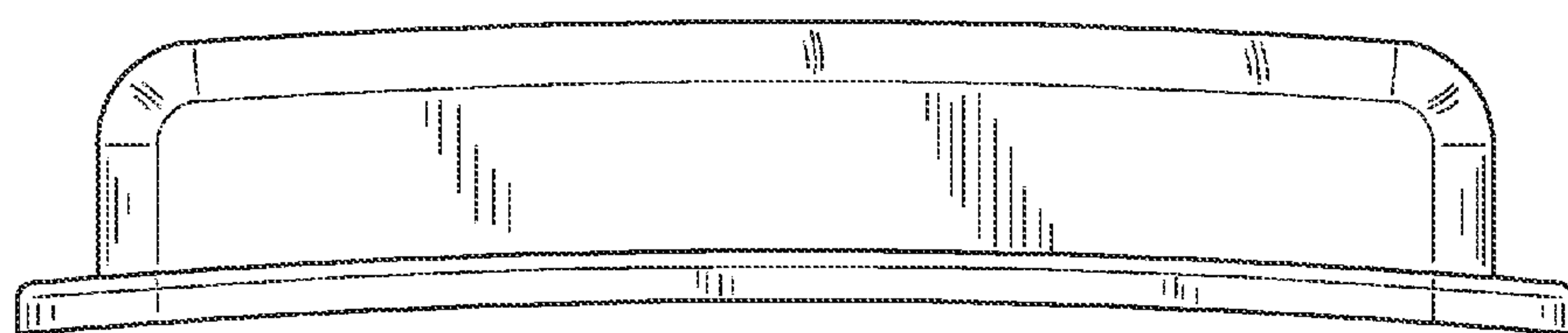


FIG. 2

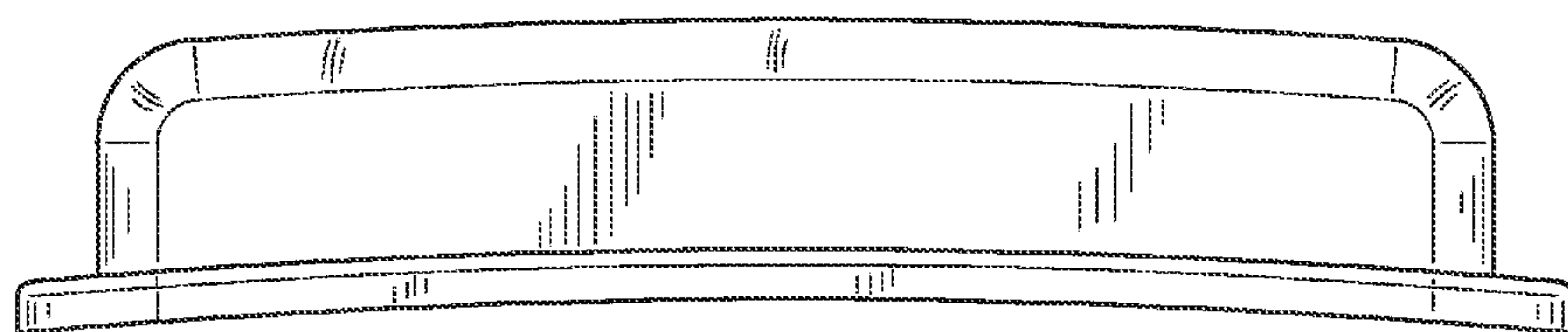


FIG. 3

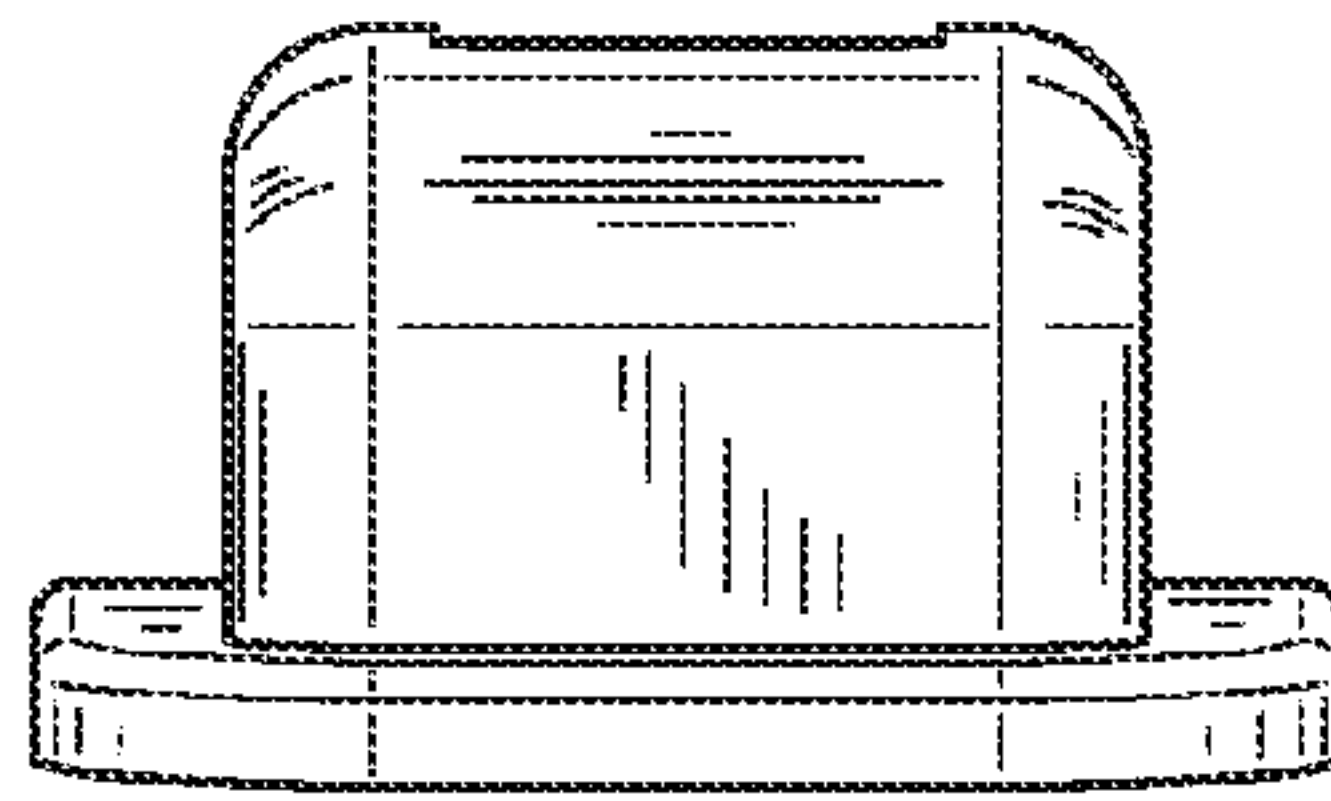


FIG. 4

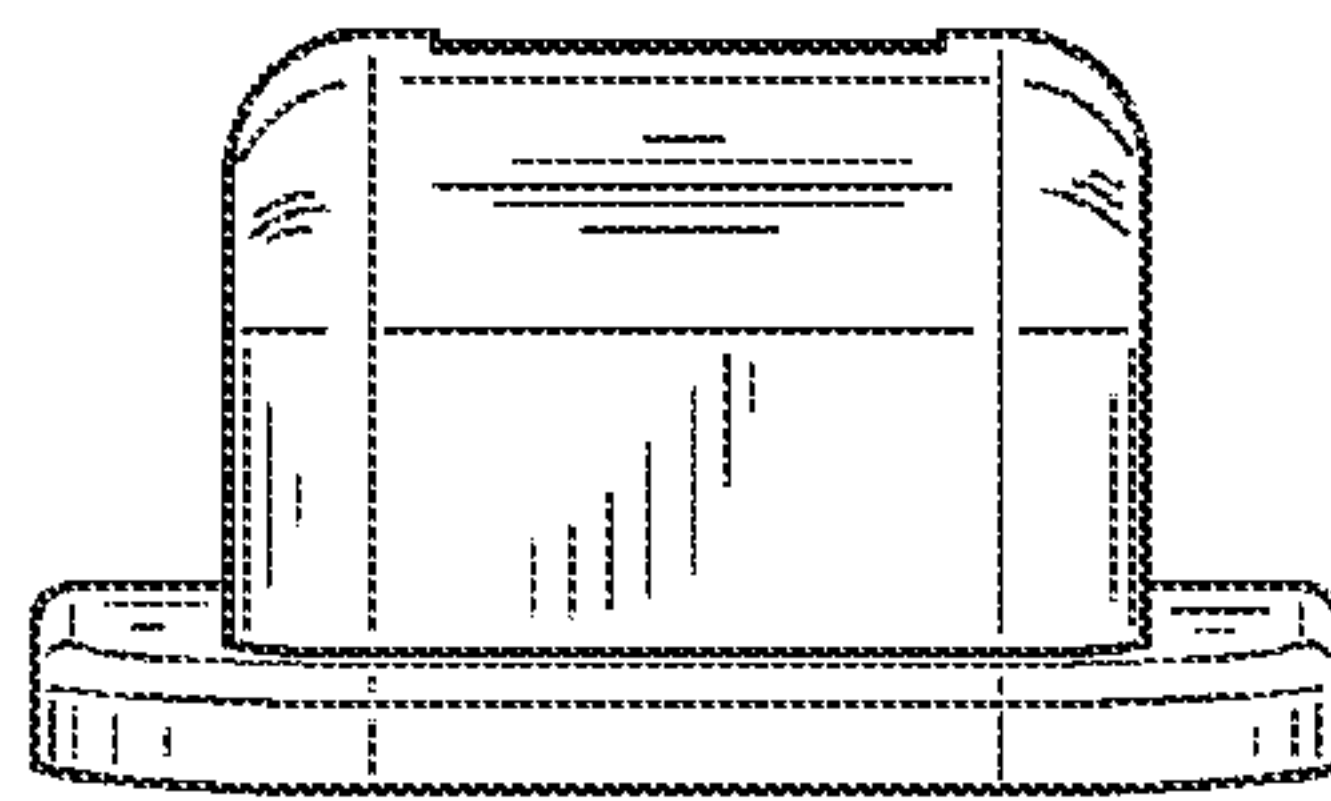


FIG. 5

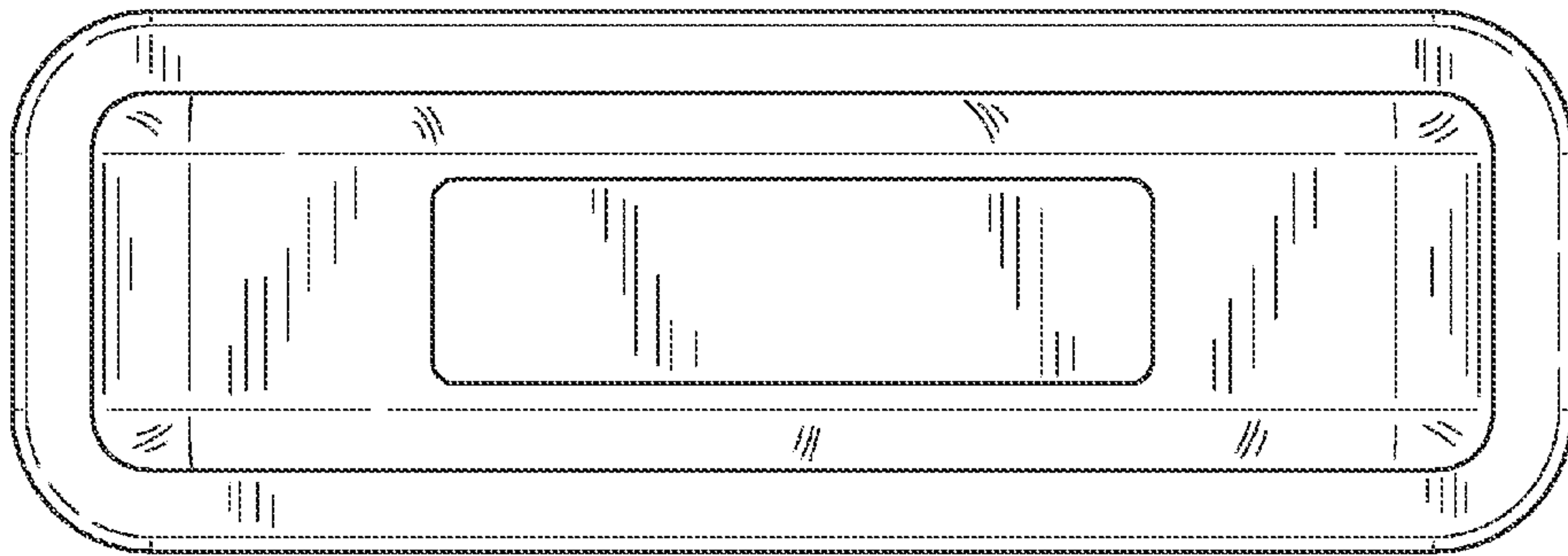


FIG. 6

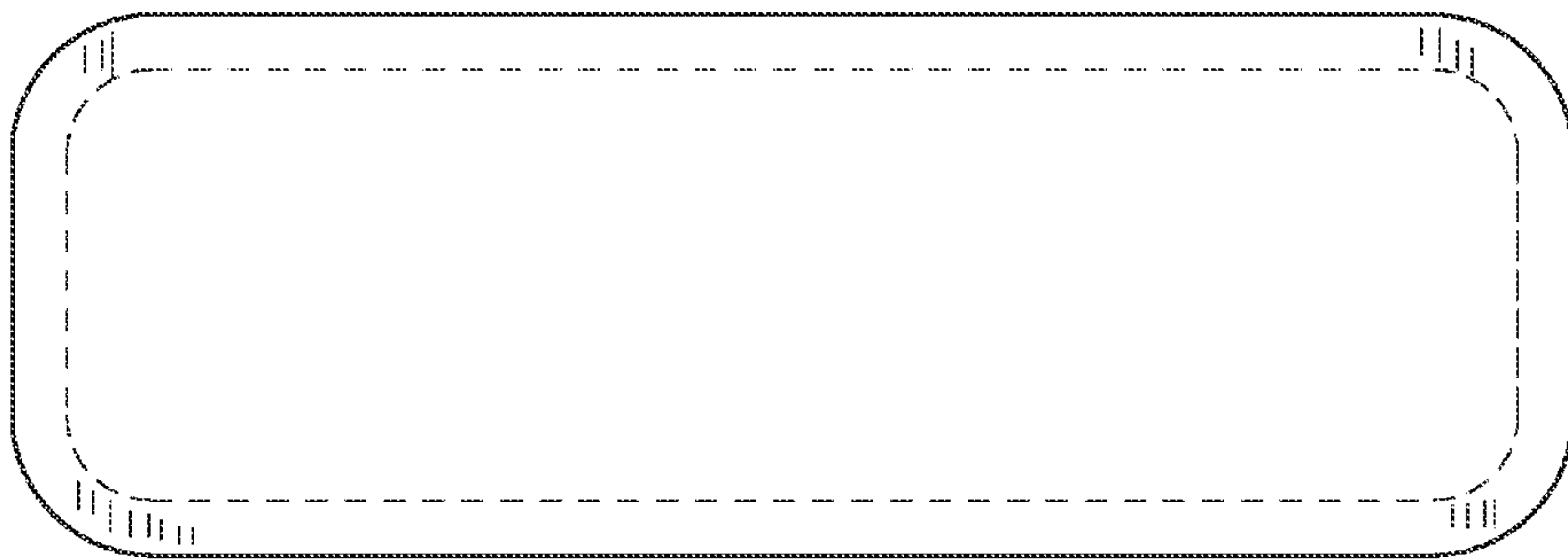


FIG. 7