



US00D673532S

(12) **United States Design Patent**
Lee

(10) **Patent No.:** **US D673,532 S**
(45) **Date of Patent:** **** Jan. 1, 2013**

(54) **HEADPHONE**

(75) Inventor: **Noel Lee**, Las Vegas, NV (US)

(73) Assignee: **Monster, LLC**, Las Vegas, NV (US)

(**) Term: **14 Years**

(21) Appl. No.: **29/410,527**

(22) Filed: **Jan. 9, 2012**

(51) **LOC (9) Cl.** **14-01**

(52) **U.S. Cl.** **D14/223**

(58) **Field of Classification Search** D14/223;
181/129, 130, 135; 379/430, 431; 381/380,
381/381; 455/90.3, 575.2

See application file for complete search history.

(56) **References Cited**

U.S. PATENT DOCUMENTS

D340,932 S *	11/1993	Yan	D14/249
D485,548 S *	1/2004	Obata	D14/223
D487,077 S *	2/2004	Obata	D14/223
D510,337 S *	10/2005	Tages	D14/205
D531,169 S *	10/2006	Tokioka et al.	D14/223
D542,782 S *	5/2007	Pena Angarita	D14/223
D554,627 S *	11/2007	Gondo	D14/223
D555,152 S *	11/2007	Wang	D14/223
D557,689 S *	12/2007	Huang	D14/223
7,349,550 B2 *	3/2008	Oliveira et al.	381/380
D572,703 S *	7/2008	Ledbetter et al.	D14/205
D594,441 S	6/2009	Lee et al.		
D598,901 S	8/2009	Lee et al.		
D599,781 S	9/2009	Lee et al.		
D600,675 S	9/2009	Lee et al.		

D604,272 S *	11/2009	Kitayama	D14/223
D605,636 S *	12/2009	Yang	D14/223
D627,765 S *	11/2010	Zheng	D14/223
D629,395 S *	12/2010	Lee et al.	D14/223
D632,677 S *	2/2011	Brown et al.	D14/223
D637,182 S	5/2011	Lee et al.		
D641,008 S	7/2011	Lee et al.		
D642,163 S	7/2011	Lee et al.		
D643,417 S	8/2011	Lee et al.		
D643,418 S	8/2011	Lee et al.		
D643,833 S	8/2011	Lee et al.		
D666,580 S *	9/2012	Lee et al.	D14/223
D666,996 S *	9/2012	Hardi et al.	D14/223

* cited by examiner

Primary Examiner — Paula Greene

(74) *Attorney, Agent, or Firm* — LaRiviere, Grubman & Payne, LLP

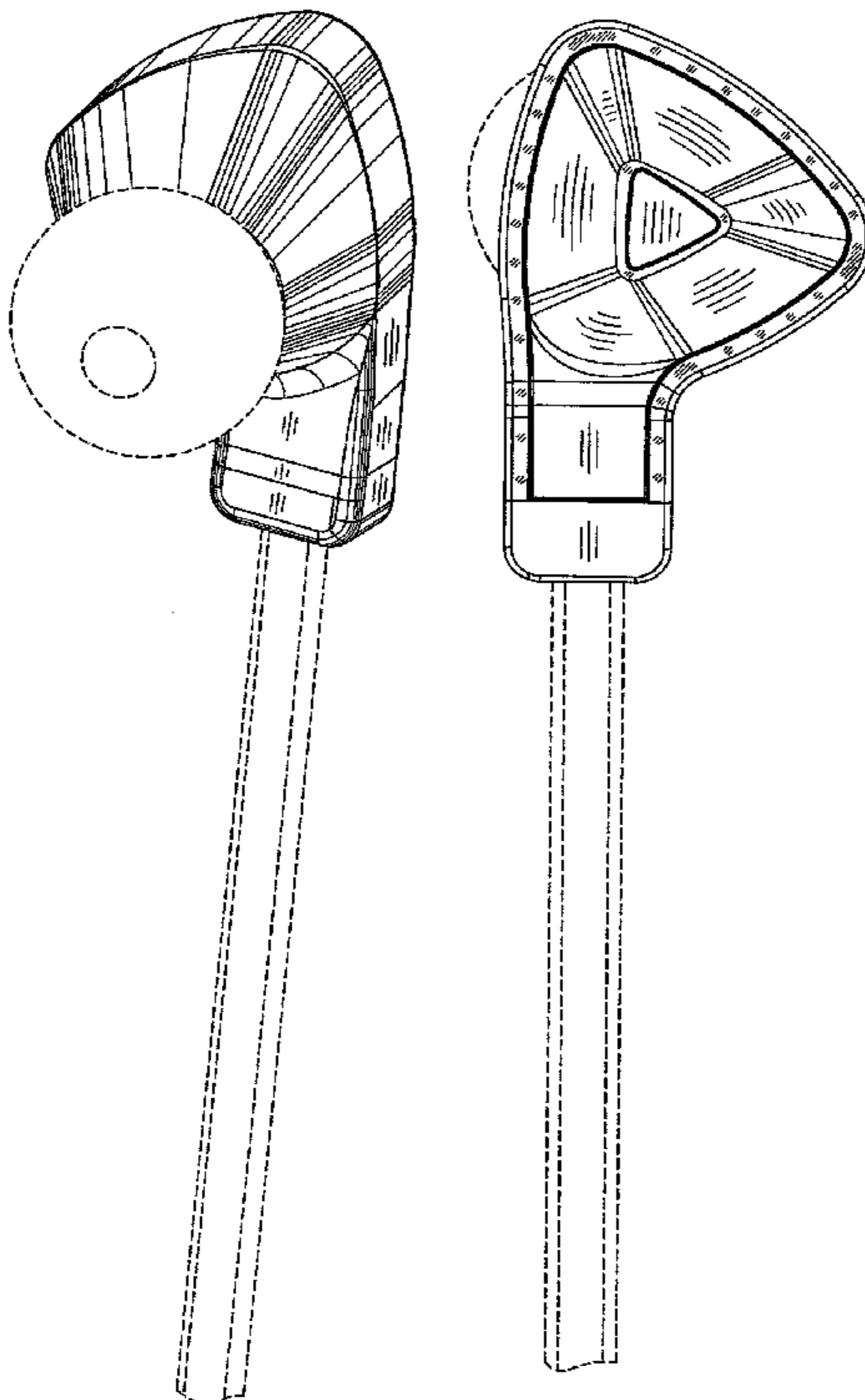
(57) **CLAIM**

The ornamental design for a headphone, as shown and described.

DESCRIPTION

FIG. 1 is a perspective view of a headphone, showing our design;
FIG. 2 is front view thereof;
FIG. 3 is a rear view thereof;
FIG. 4 is a side view thereof;
FIG. 5 is an opposing side view thereof;
FIG. 6 is a top view thereof; and,
FIG. 7 is a bottom view thereof.
The broken lines showing the environment are for illustrative purposes only and form no part of the claimed design.

1 Claim, 4 Drawing Sheets



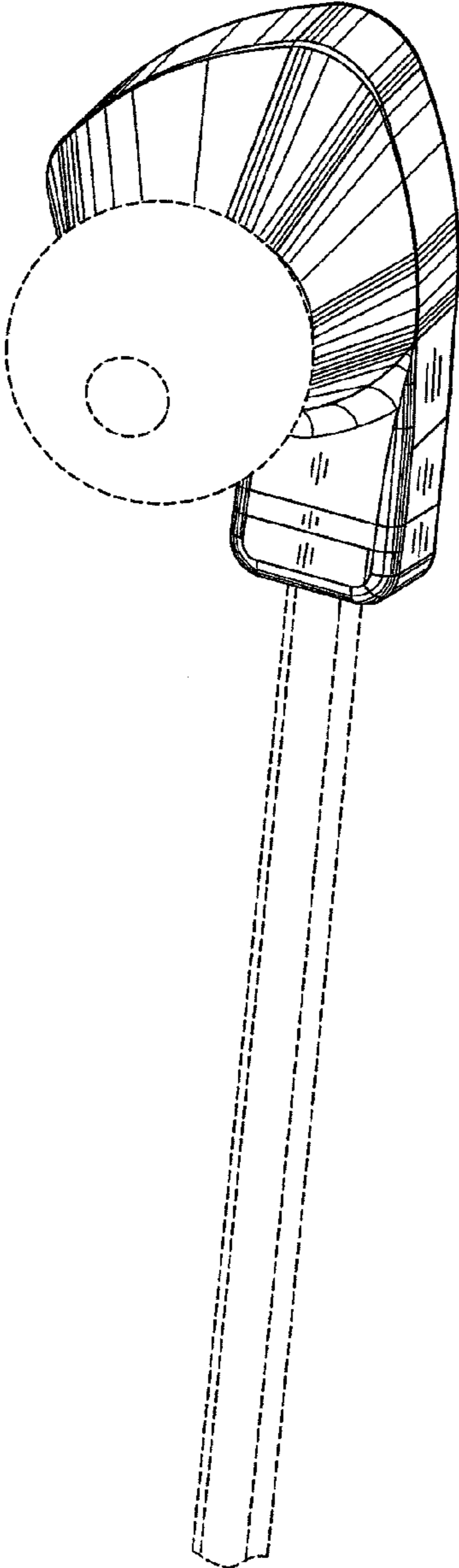


Figure 1

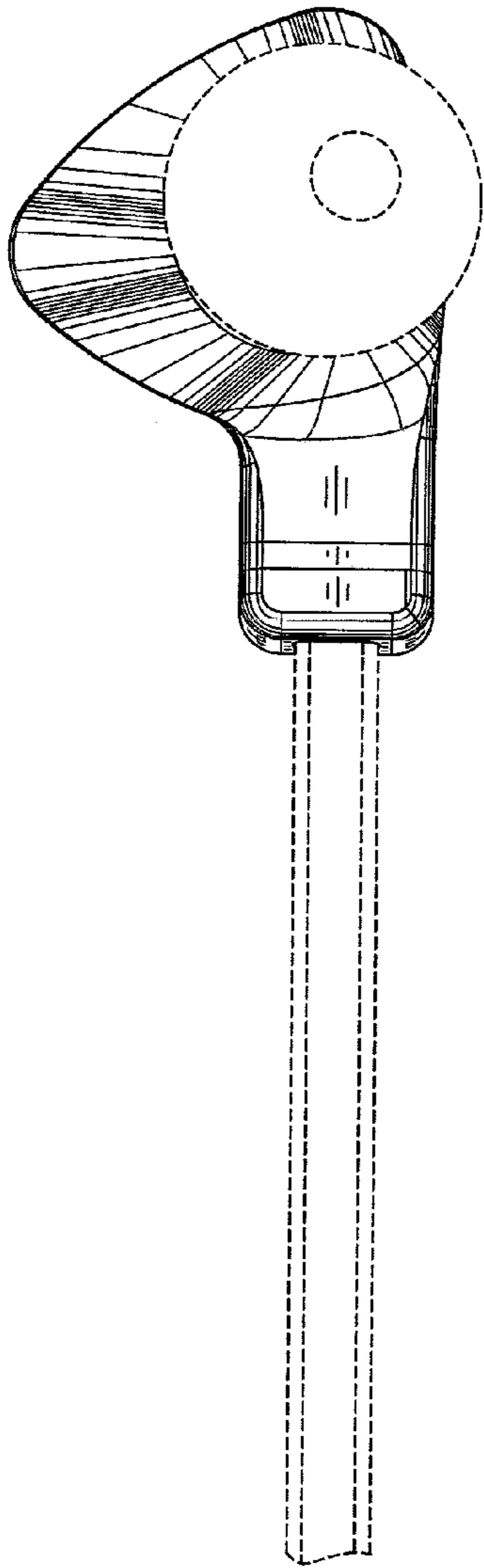


Figure 2

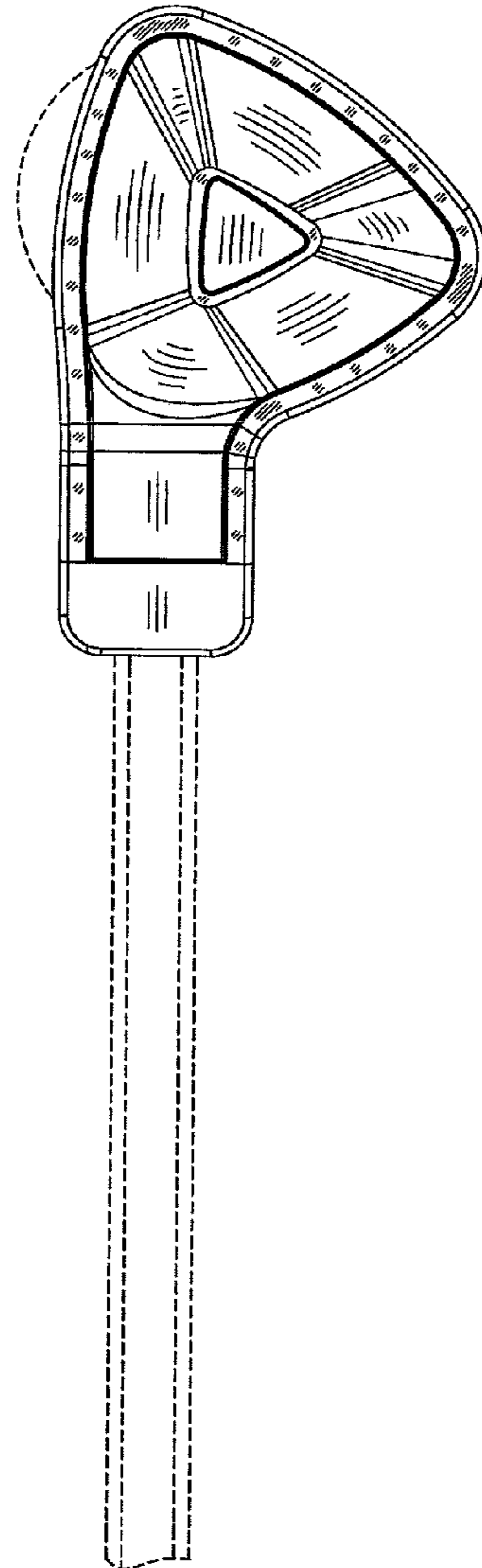


Figure 3

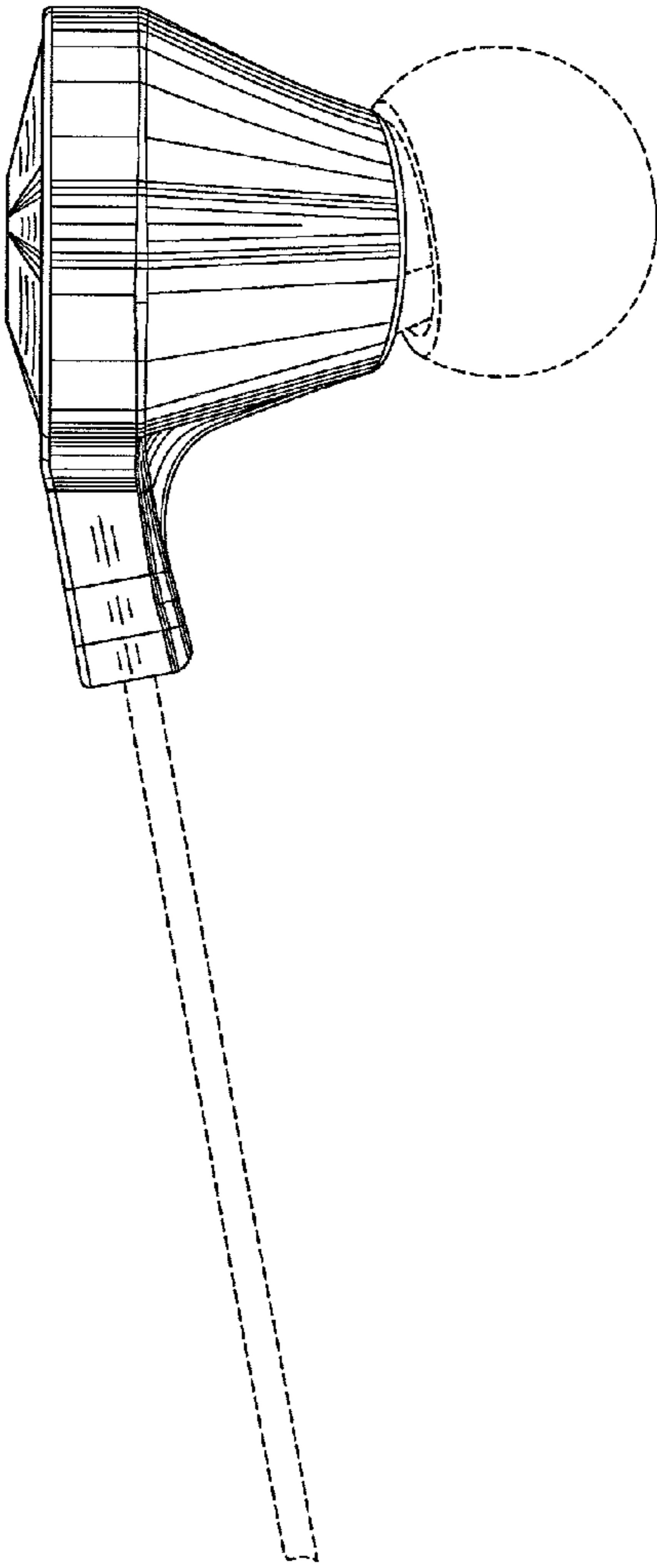


Figure 4

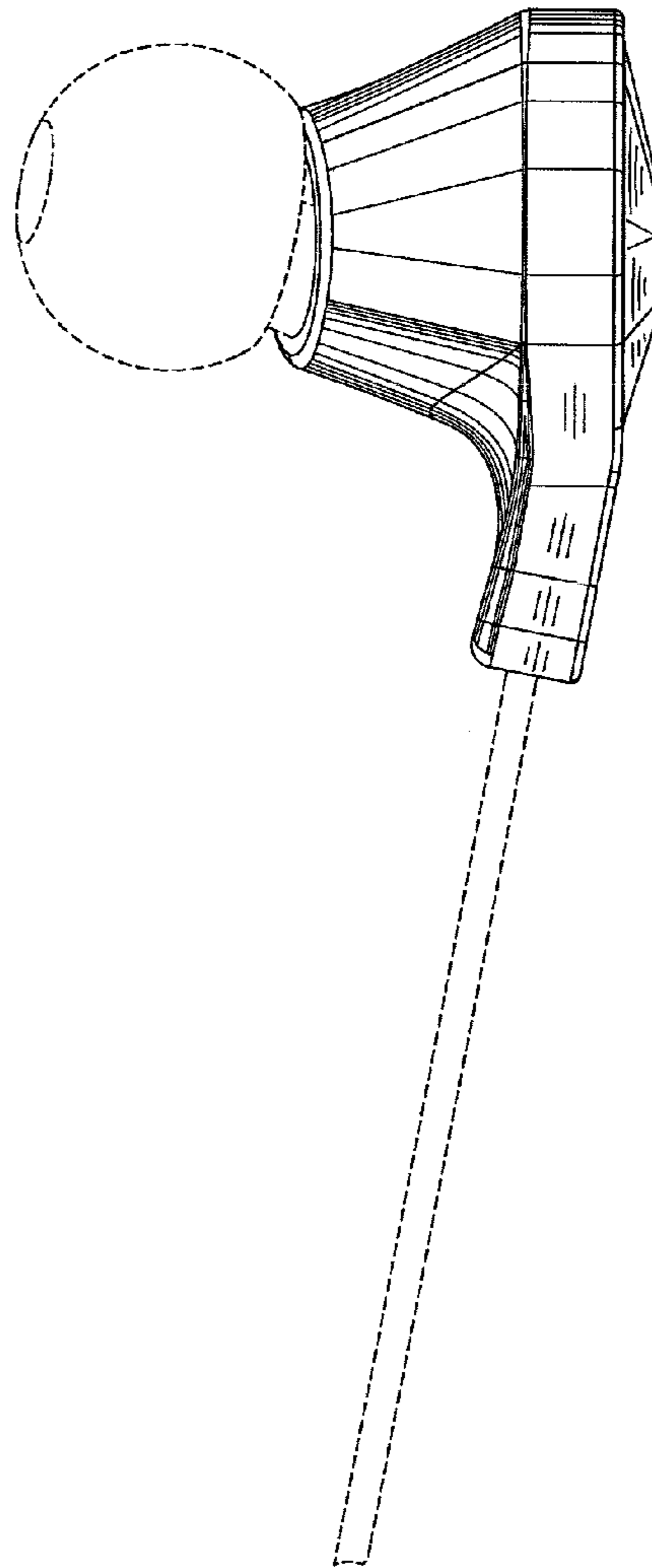


Figure 5

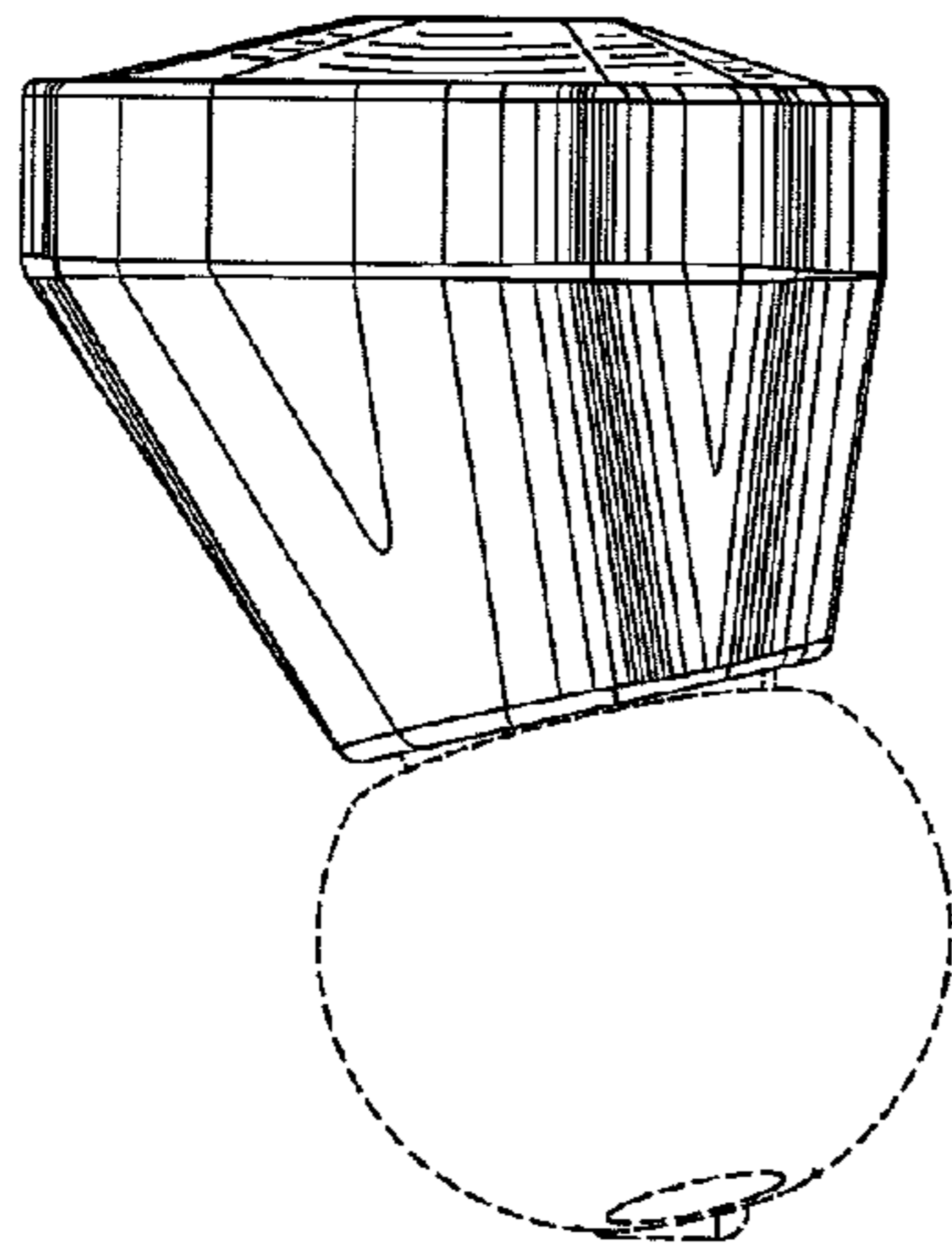


Figure 6

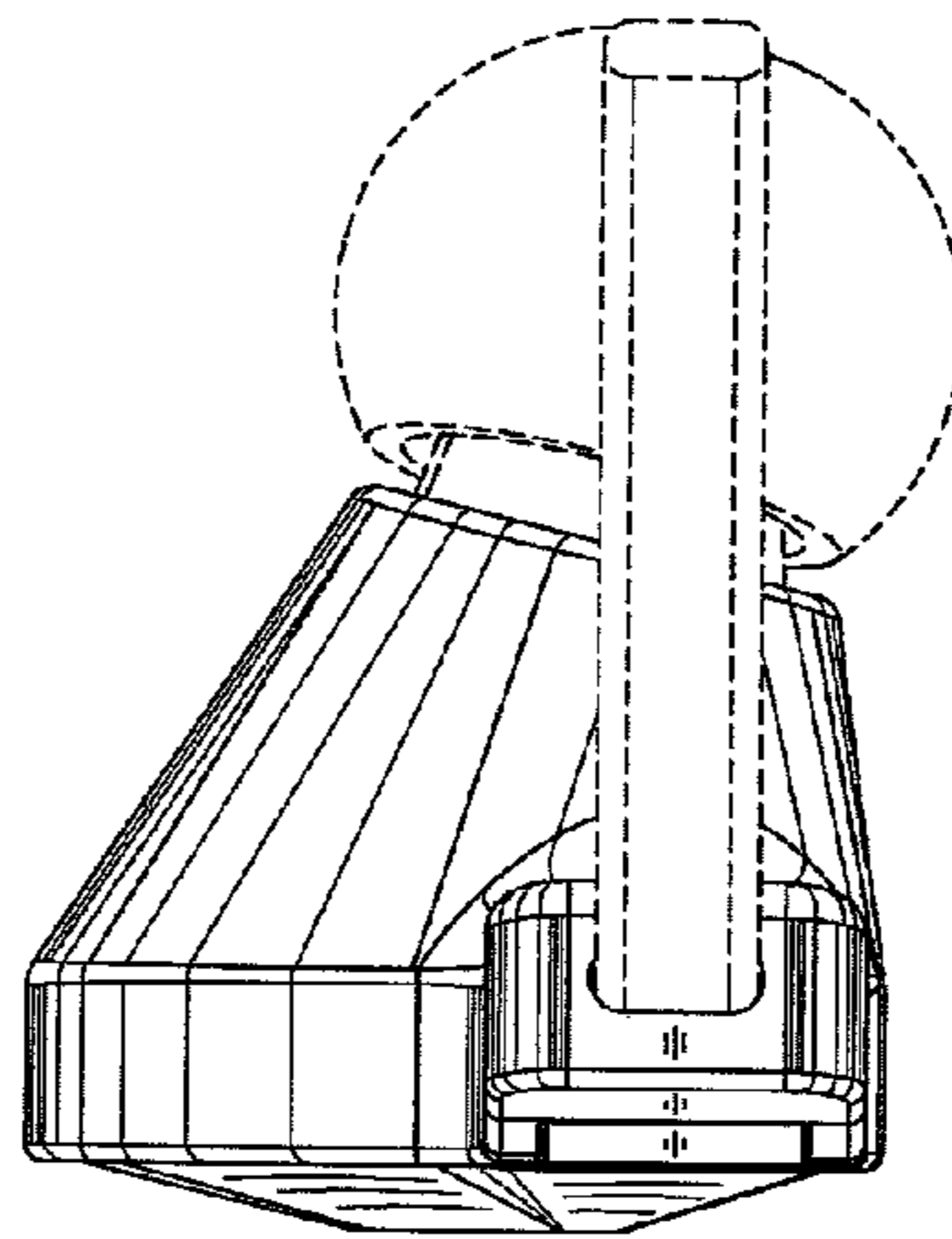


Figure 7