



US00D673531S

(12) **United States Design Patent**
Lee et al.

(10) **Patent No.:** **US D673,531 S**

(45) **Date of Patent:** **** Jan. 1, 2013**

(54) **HEADPHONE**

(75) Inventors: **Noel Lee**, Las Vegas, NV (US);
Kendrew Lee, Tsing Yi (HK); **Sin Yee Fung**, Hong Kong (CN)

(73) Assignee: **Monster, LLC**, Las Vegas, NV (US)

(**) Term: **14 Years**

(21) Appl. No.: **29/407,872**

(22) Filed: **Dec. 2, 2011**

(51) **LOC (9) Cl.** **14-01**

(52) **U.S. Cl.** **D14/223**

(58) **Field of Classification Search** D14/223;
181/129, 130, 135; 379/430, 431; 381/380,
381/381; D24/174; 455/90.3, 575.2

See application file for complete search history.

(56) **References Cited**

U.S. PATENT DOCUMENTS

| | | | | | |
|-----------|-----|---------|--------------------|-------|---------|
| 2,248,837 | A * | 7/1941 | Walters | | 381/380 |
| 3,821,647 | A * | 6/1974 | Minasian | | 455/269 |
| 4,133,984 | A * | 1/1979 | Akiyama | | 381/328 |
| 5,410,608 | A * | 4/1995 | Lucey et al. | | 381/360 |
| 5,809,159 | A * | 9/1998 | Lee | | 381/380 |
| D512,049 | S * | 11/2005 | Yang | | D14/223 |
| D550,657 | S * | 9/2007 | Gan et al. | | D14/223 |
| D554,109 | S * | 10/2007 | Ledbetter et al. | | D14/223 |
| D564,495 | S * | 3/2008 | Sasaki | | D14/205 |
| D566,099 | S * | 4/2008 | Komiyama | | D14/206 |
| D594,441 | S | 6/2009 | Lee et al. | | |
| D598,901 | S | 8/2009 | Lee et al. | | |
| D599,781 | S | 9/2009 | Lee et al. | | |
| D600,675 | S | 9/2009 | Lee et al. | | |
| D606,971 | S * | 12/2009 | Christopher et al. | | D14/205 |
| D631,034 | S * | 1/2011 | Yeo | | D14/205 |

| | | | | | |
|----------|-----|--------|-----------------|-------|---------|
| D631,470 | S * | 1/2011 | Yoneyama et al. | | D14/223 |
| D632,677 | S * | 2/2011 | Brown et al. | | D14/223 |
| D637,182 | S * | 5/2011 | Lee et al. | | D14/223 |
| D637,998 | S * | 5/2011 | Brunner et al. | | D14/205 |
| D641,008 | S | 7/2011 | Lee et al. | | |
| D641,736 | S * | 7/2011 | Brunner et al. | | D14/223 |
| D642,163 | S | 7/2011 | Lee et al. | | |
| D643,417 | S * | 8/2011 | Lee et al. | | D14/223 |
| D643,418 | S | 8/2011 | Lee et al. | | |
| D643,833 | S | 8/2011 | Lee et al. | | |
| D652,822 | S * | 1/2012 | Lee et al. | | D14/223 |
| D654,056 | S * | 2/2012 | Hoggarth et al. | | D14/223 |
| D657,780 | S * | 4/2012 | Dahlberg | | D14/223 |
| D664,951 | S * | 8/2012 | Ang et al. | | D14/223 |

* cited by examiner

Primary Examiner — Paula Greene

(74) *Attorney, Agent, or Firm* — LaRiviere, Grubman & Payne, LLP

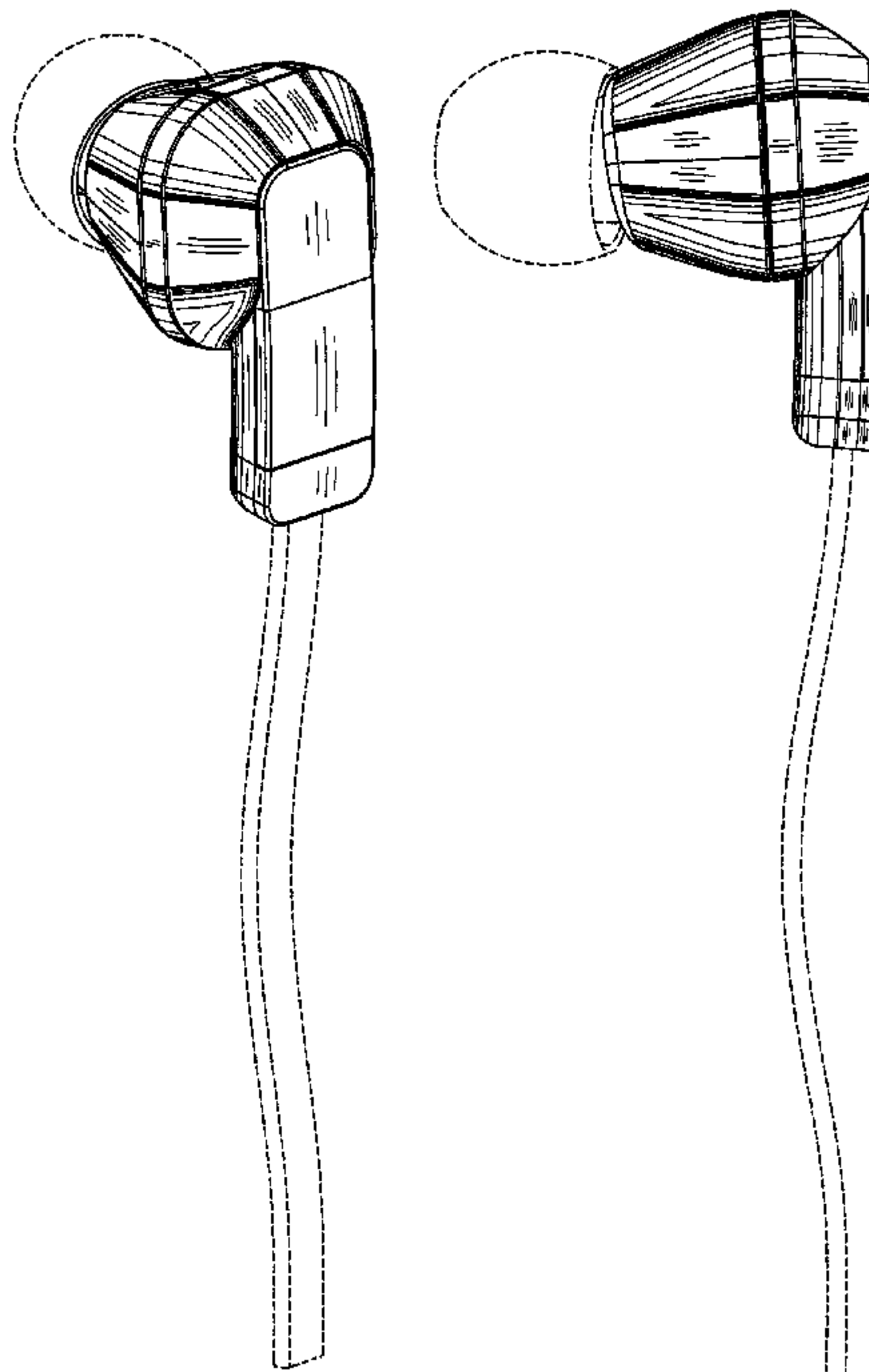
(57) **CLAIM**

The ornamental design for a headphone, as shown and described.

DESCRIPTION

FIG. 1 is a front perspective view of a headphone, showing our design;
FIG. 2 is a rear perspective view thereof;
FIG. 3 is front view thereof;
FIG. 4 is a rear view thereof;
FIG. 5 is a side view thereof;
FIG. 6 is an opposing side view thereof;
FIG. 7 is a top view thereof; and,
FIG. 8 is a bottom view thereof.
The broken lines form no part of the claimed design.

1 Claim, 4 Drawing Sheets



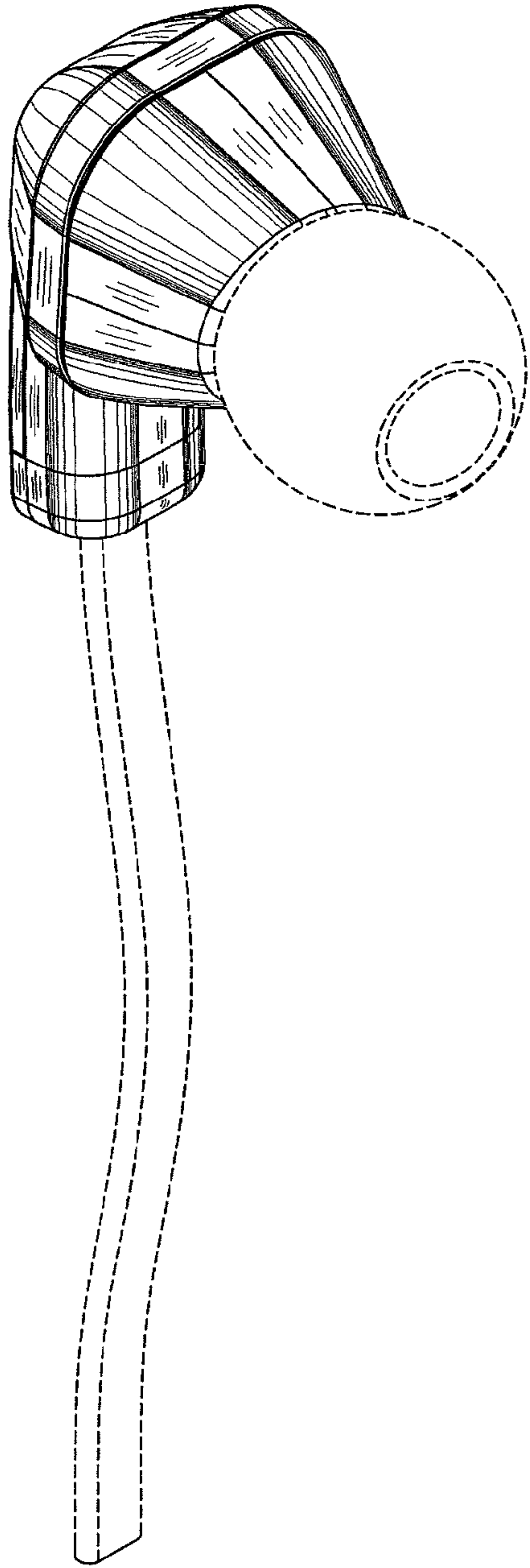


Figure 1

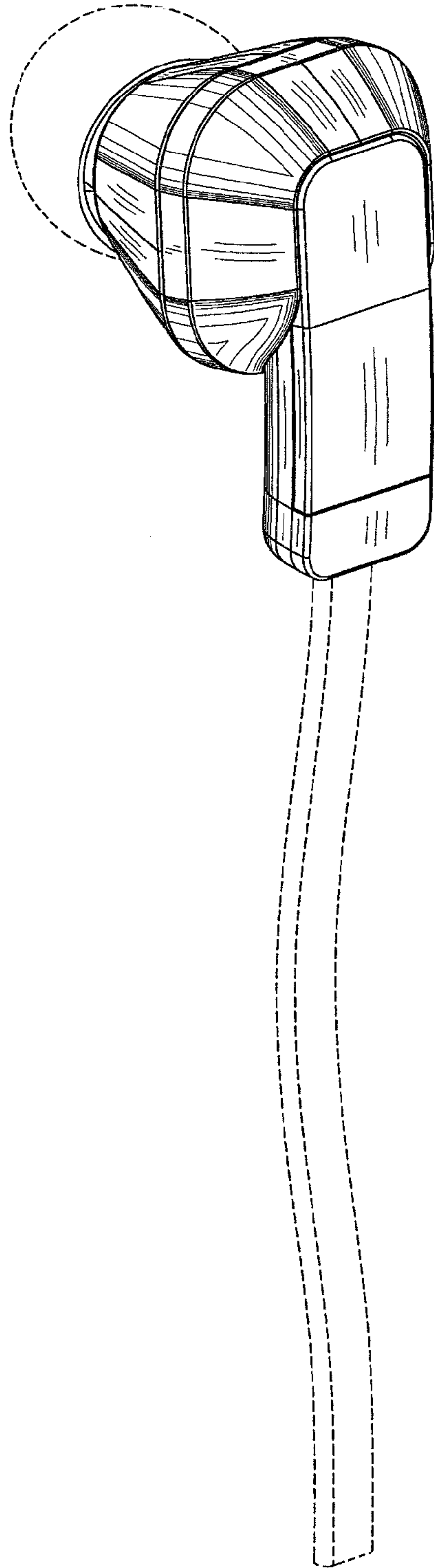


Figure 2

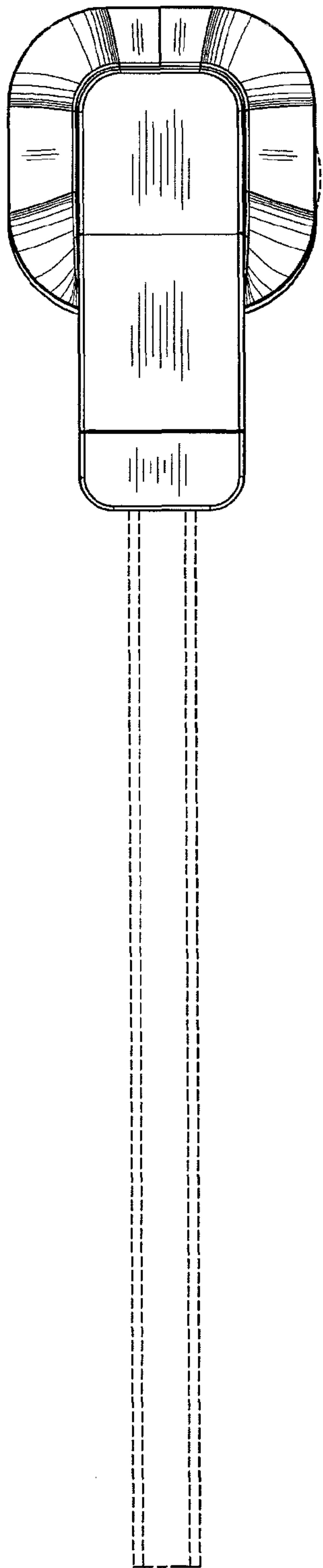


Figure 3

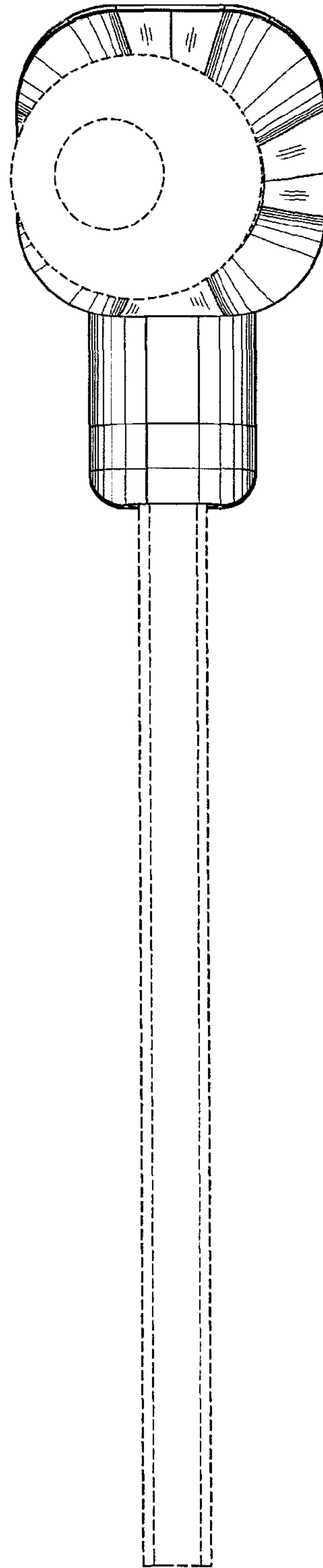


Figure 4

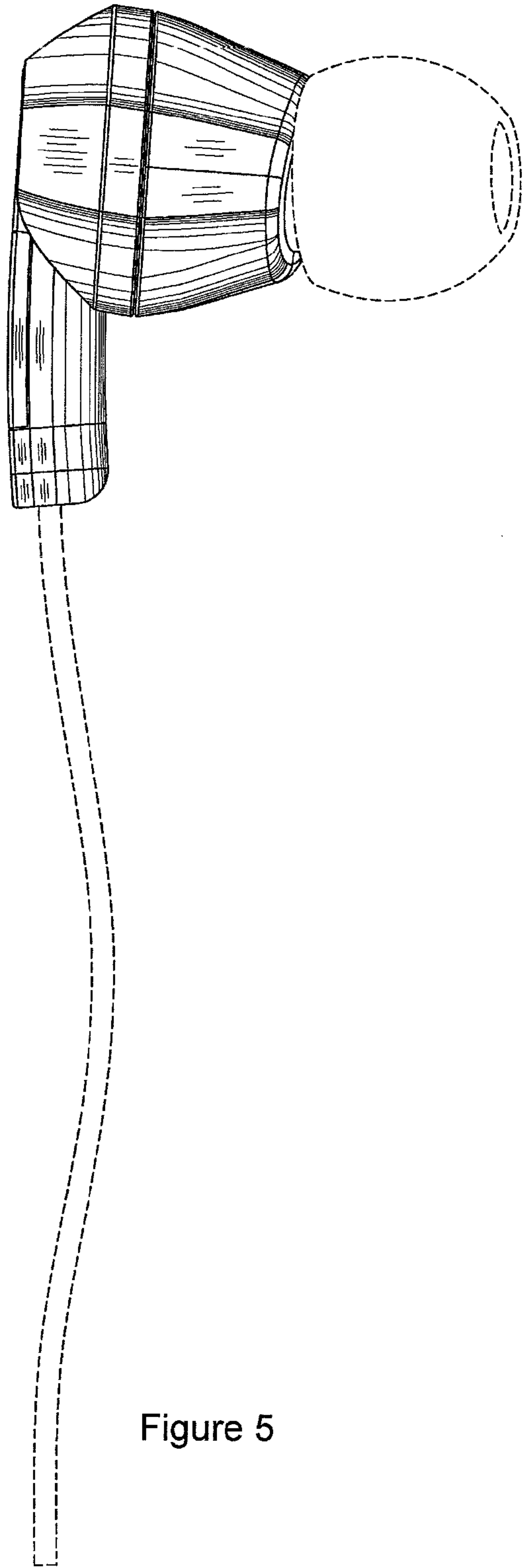


Figure 5

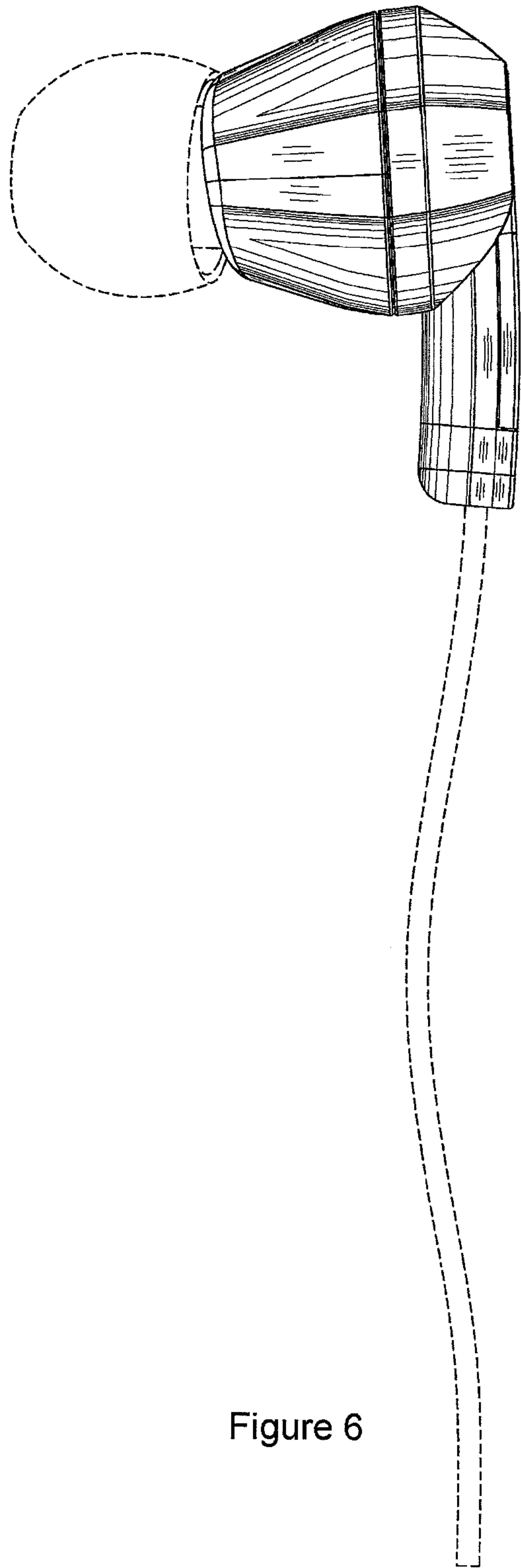


Figure 6

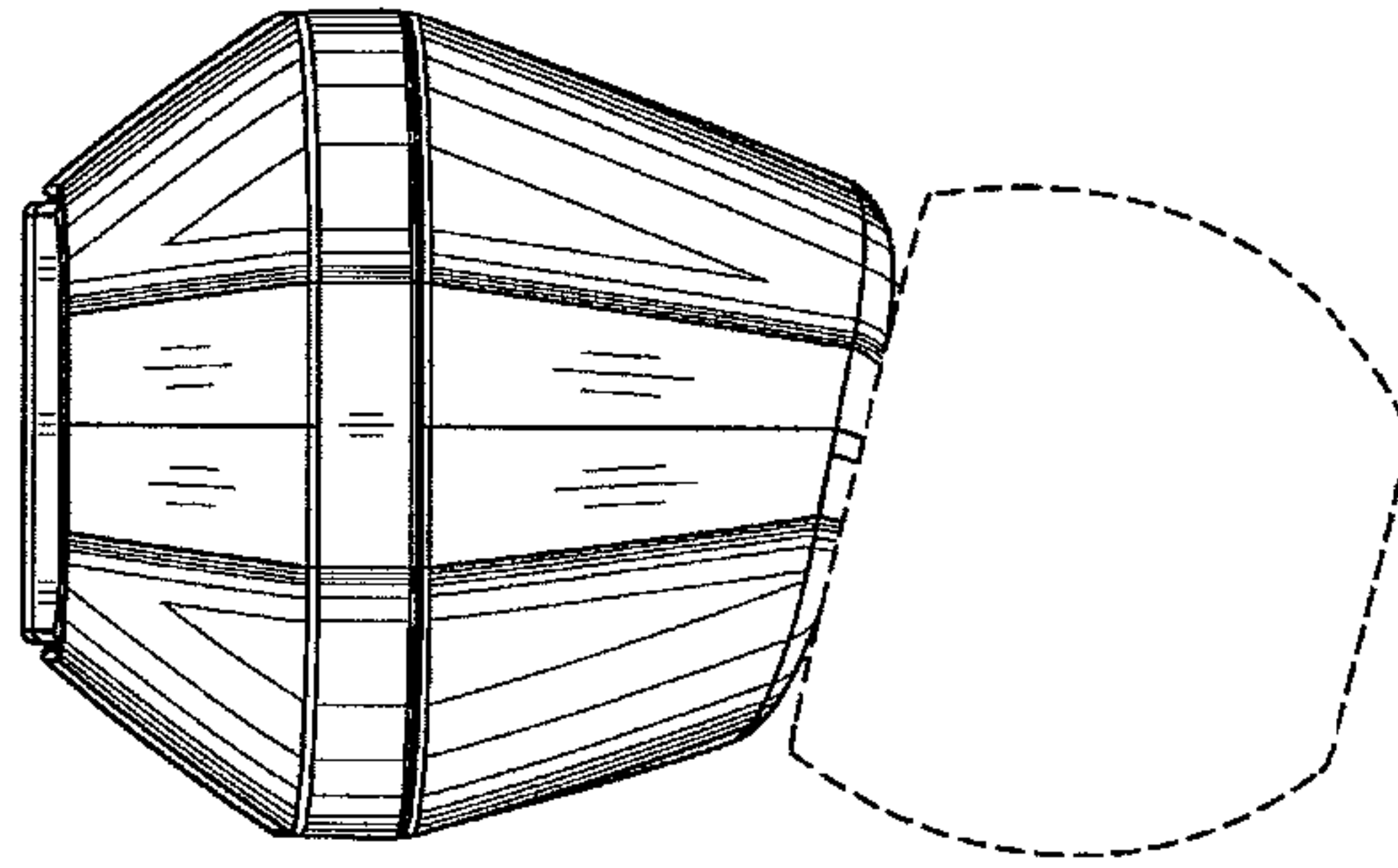


Figure 7

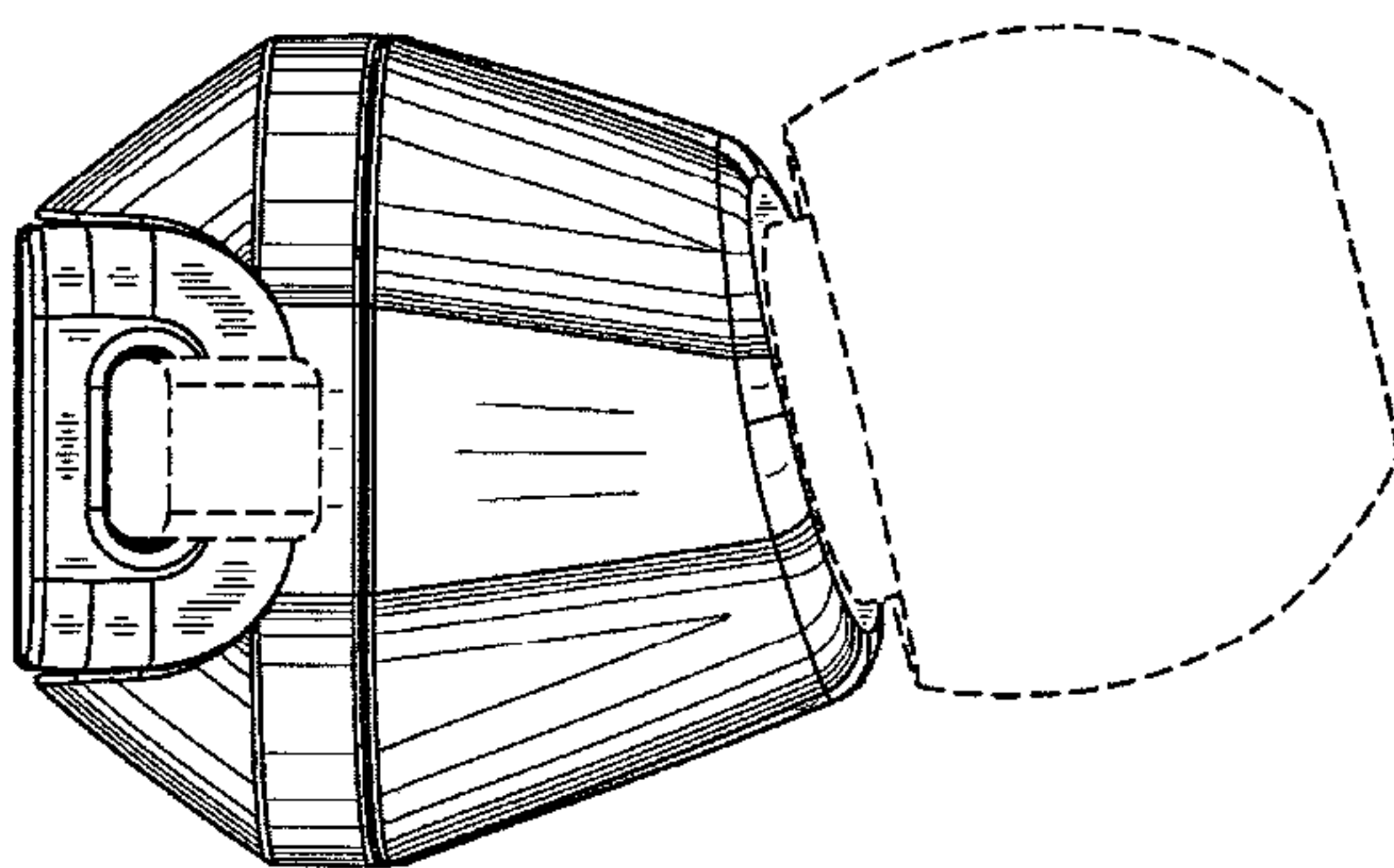


Figure 8