



US00D673528S

(12) **United States Design Patent**
Trotsky

(10) **Patent No.:** **US D673,528 S**
(45) **Date of Patent:** **** Jan. 1, 2013**

(54) **MOBILE DEVICE DOCK**

(74) *Attorney, Agent, or Firm* — Sheridan Ross P.C.

(76) Inventor: **Kevin Trotsky**, Denver, CO (US)

(57) **CLAIM**

(**) Term: **14 Years**

The ornamental design for mobile device dock, as shown and described.

(21) Appl. No.: **29/405,482**

DESCRIPTION

(22) Filed: **Nov. 2, 2011**

(51) **LOC (9) Cl.** **14-03**

(52) **U.S. Cl.** **D14/217; D14/434**

(58) **Field of Classification Search** D14/140,
D14/142, 149, 155, 157, 188, 191–193, 203.1–203.8,
D14/217, 240, 243, 251, 253, 432–435.1,
D14/447, 451, 496, 474, 480.1–480.7; D13/107,
D13/108, 118; D3/218; 248/221.11, 309.1;
320/107, 110, 113–115; 361/600; 439/529,
439/534; 455/556.1–556.2, 557

See application file for complete search history.

FIG. 1 is a perspective view of a the mobile device dock showing the new design;
FIG. 2 is a front elevation view thereof;
FIG. 3 is a rear elevation view thereof;
FIG. 4 is a right elevation view thereof;
FIG. 5 is a left elevation view thereof;
FIG. 6 is a top plan view thereof;
FIG. 7 is a bottom plan view thereof;
FIG. 8 is a rear elevation view thereof wherein a cap member is spaced therefrom;
FIG. 9 is a perspective view thereof wherein a positioning grip is spaced therefrom;
FIG. 10 is a front elevation view thereof interconnected to a mobile device and a positioning grip;
FIG. 11 is a rear elevation view thereof interconnected to a mobile device and a positioning grip;
FIG. 12 is a right elevation view thereof interconnected to a mobile device and a positioning grip;
FIG. 13 is a left elevation view thereof interconnected to a mobile device and a positioning grip;
FIG. 14 is a top plan view thereof interconnected to a mobile device and a positioning grip; and,
FIG. 15 is a bottom plan view thereof interconnected to a mobile device and a positioning grip.
The broken lines are for the purpose of illustrating environment and forms no part of the claimed design.

(56) **References Cited**

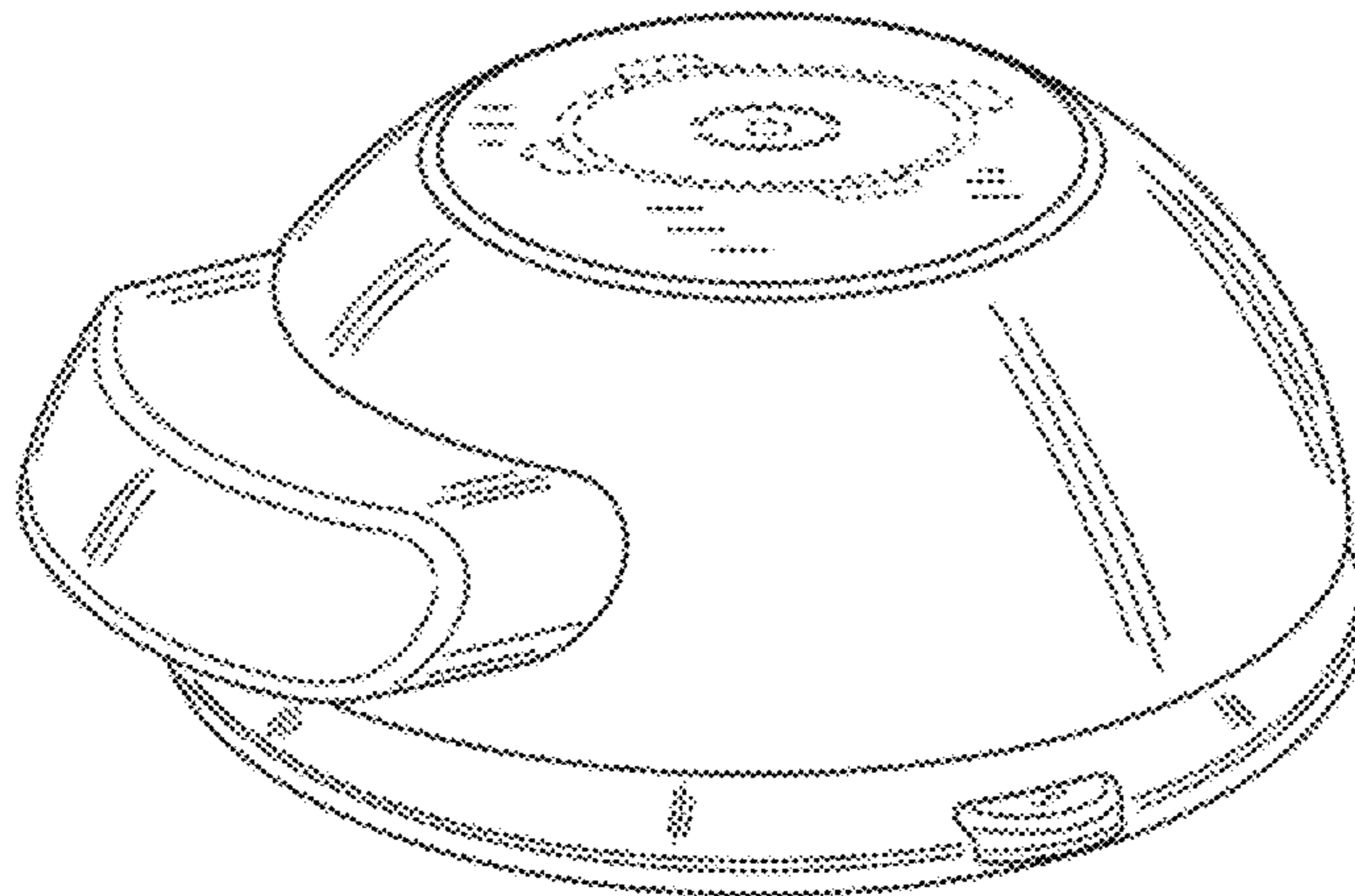
U.S. PATENT DOCUMENTS

D244,550 S *	5/1977	Zuroski	D14/215
D359,052 S *	6/1995	Nagele et al.	D14/253
D525,517 S *	7/2006	Baldwin	D8/310
D544,547 S *	6/2007	Solland	D21/333
D550,660 S *	9/2007	Noro et al.	D14/230
D553,122 S *	10/2007	Solland	D14/217
D553,123 S *	10/2007	Solland	D14/217
D554,108 S *	10/2007	Solland	D14/217
D575,712 S *	8/2008	Johannsen	D12/192
D585,898 S *	2/2009	Skurdal	D14/434
D625,295 S *	10/2010	Nogueira et al.	D14/218
D632,281 S *	2/2011	Hoehn et al.	D14/218

* cited by examiner

Primary Examiner — Keli L Hill

1 Claim, 13 Drawing Sheets



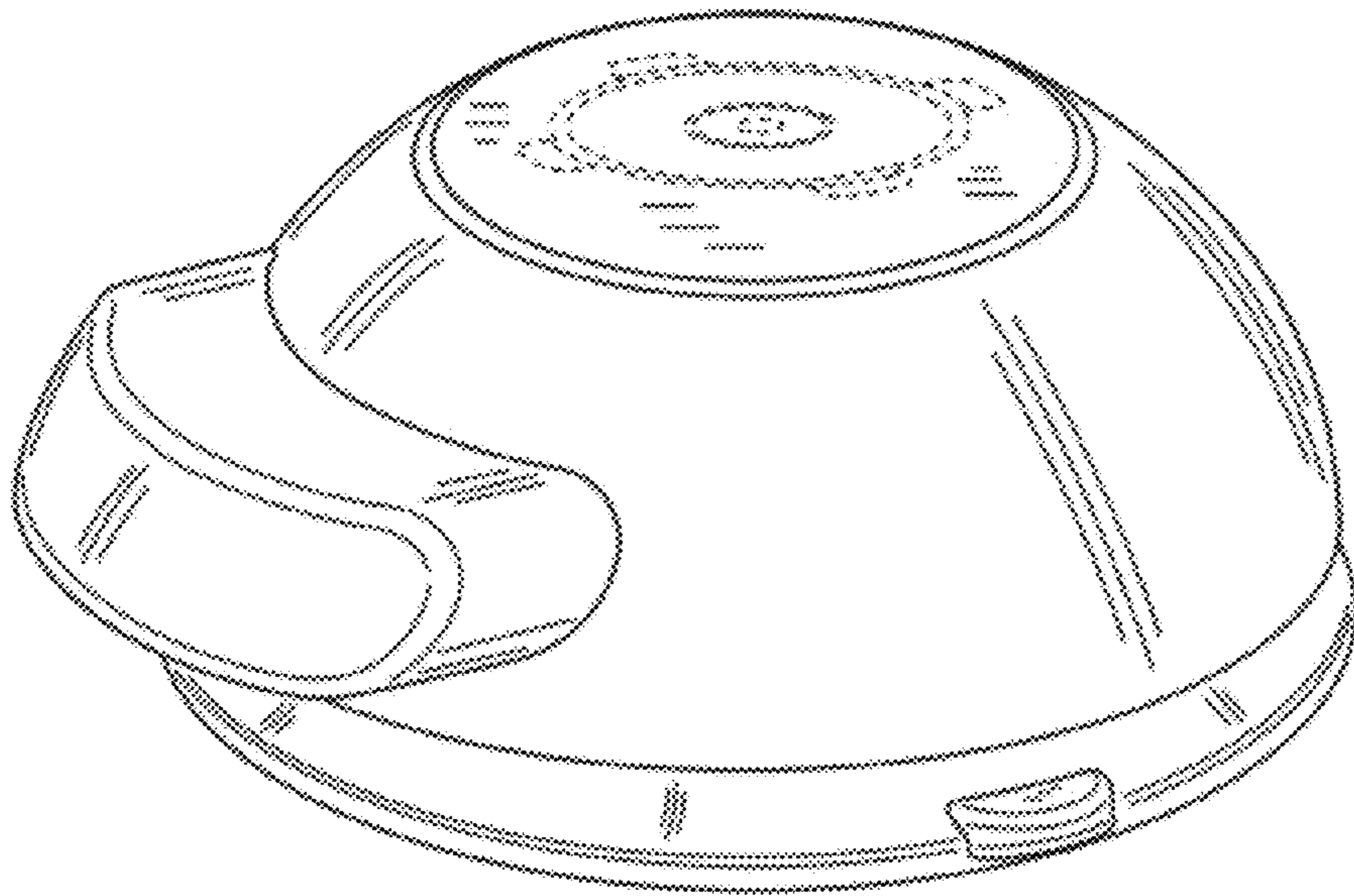


FIG. 1

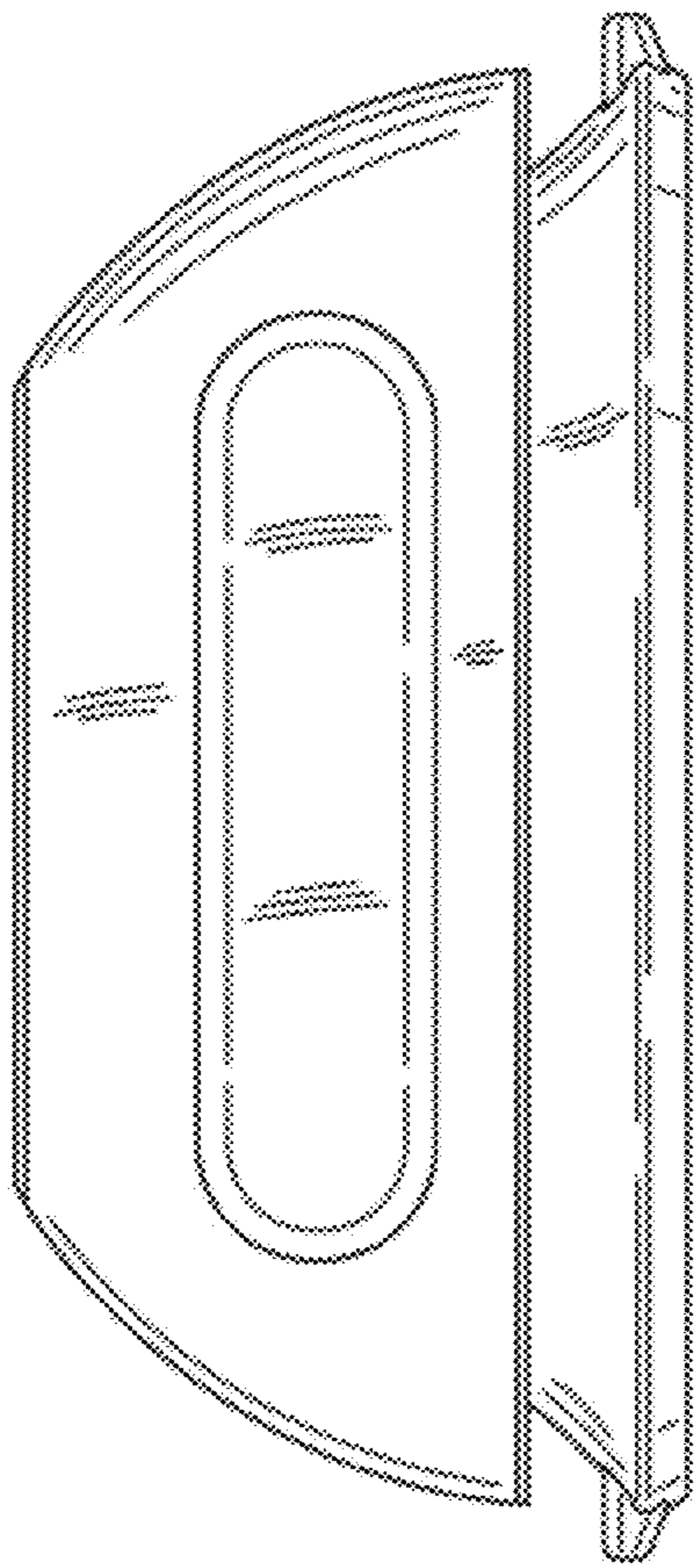


FIG. 2

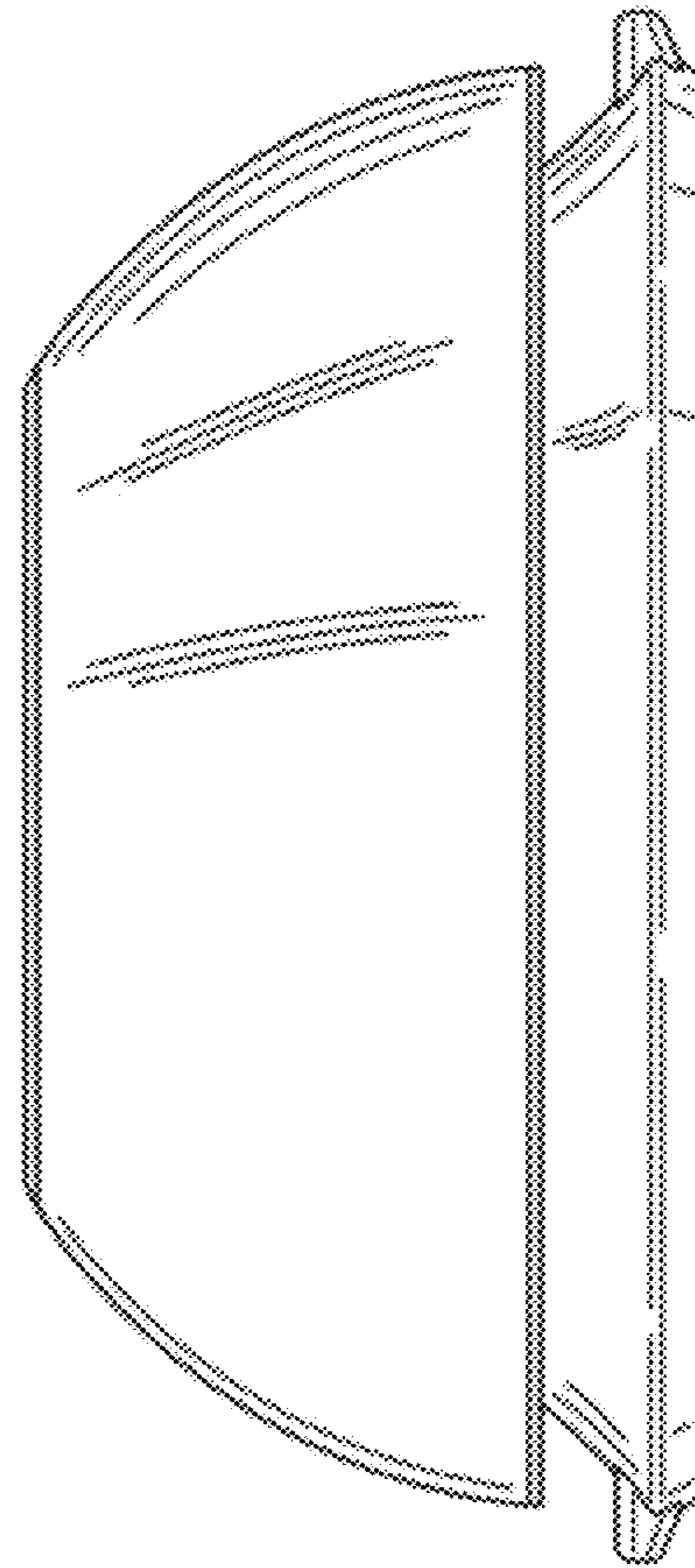


FIG. 3

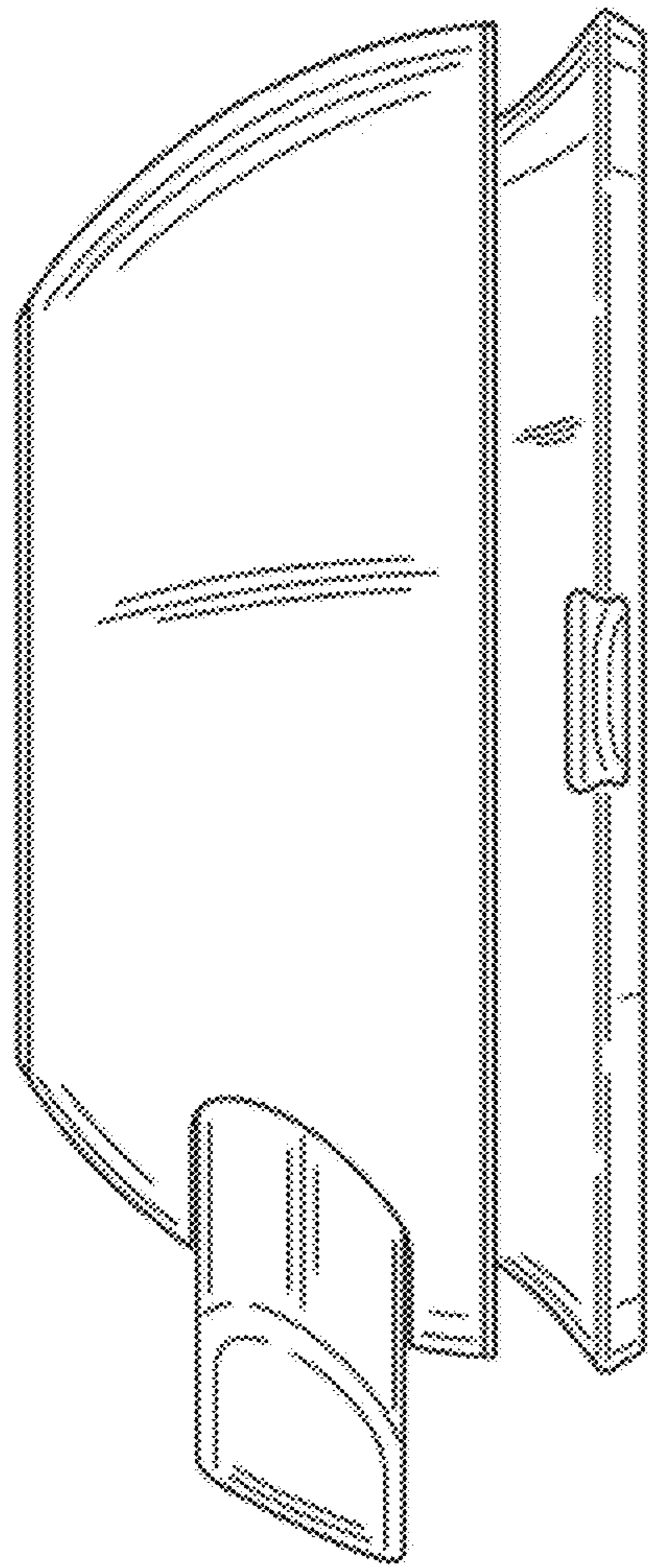


FIG. 4

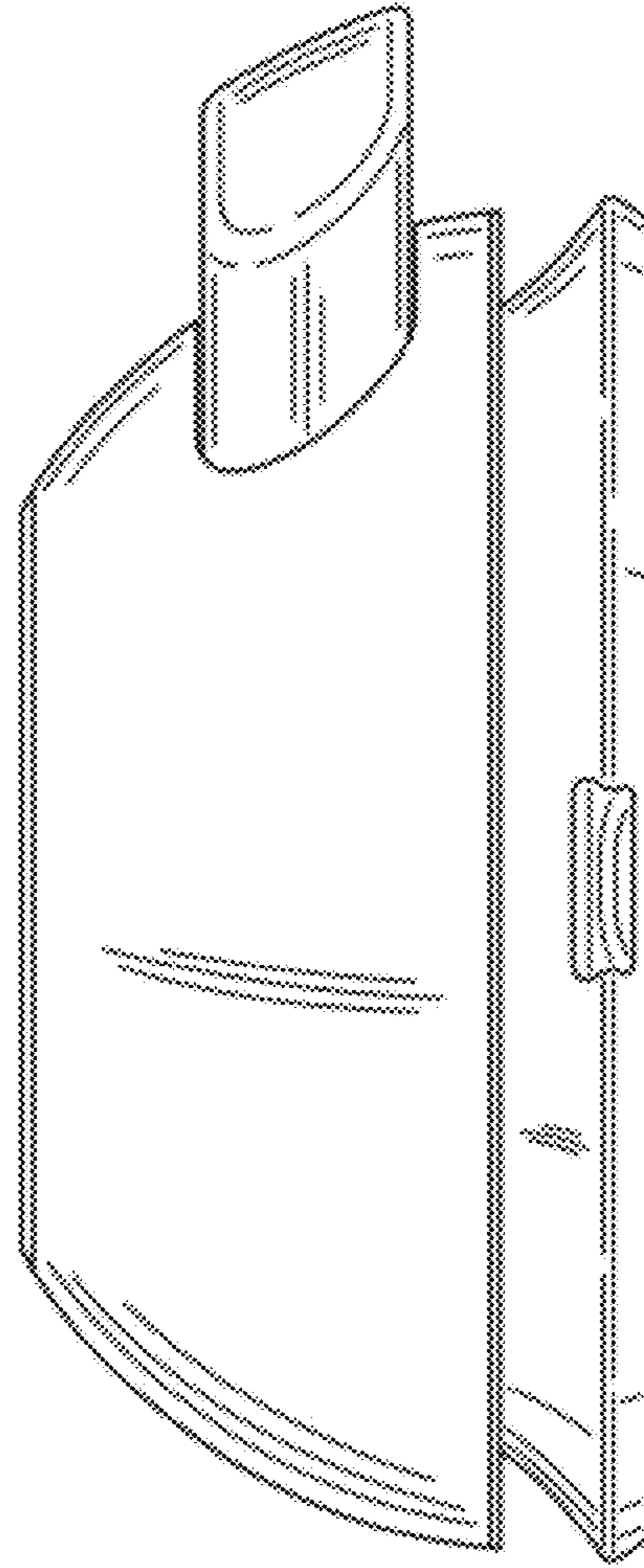


FIG. 5

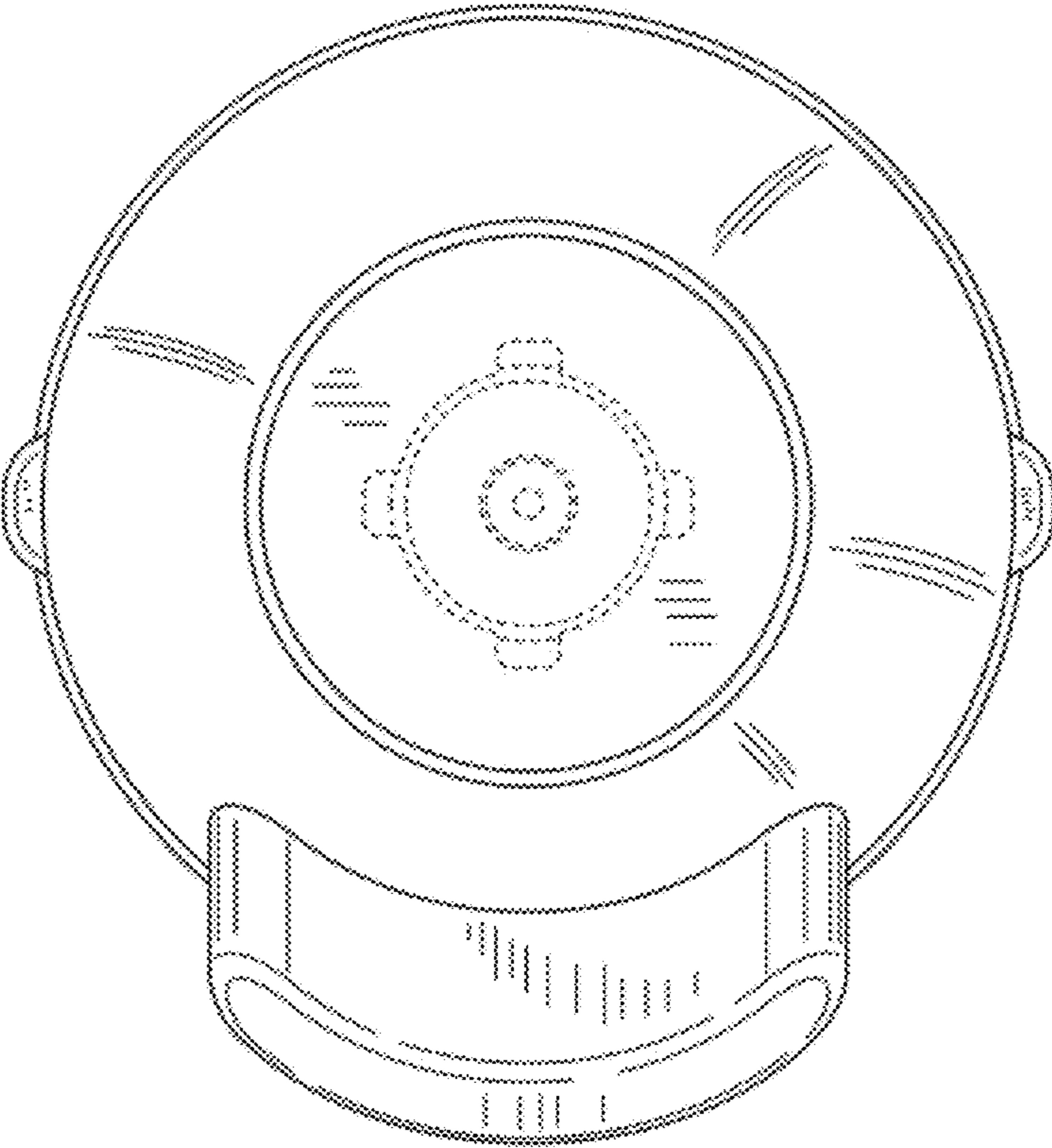


FIG.6

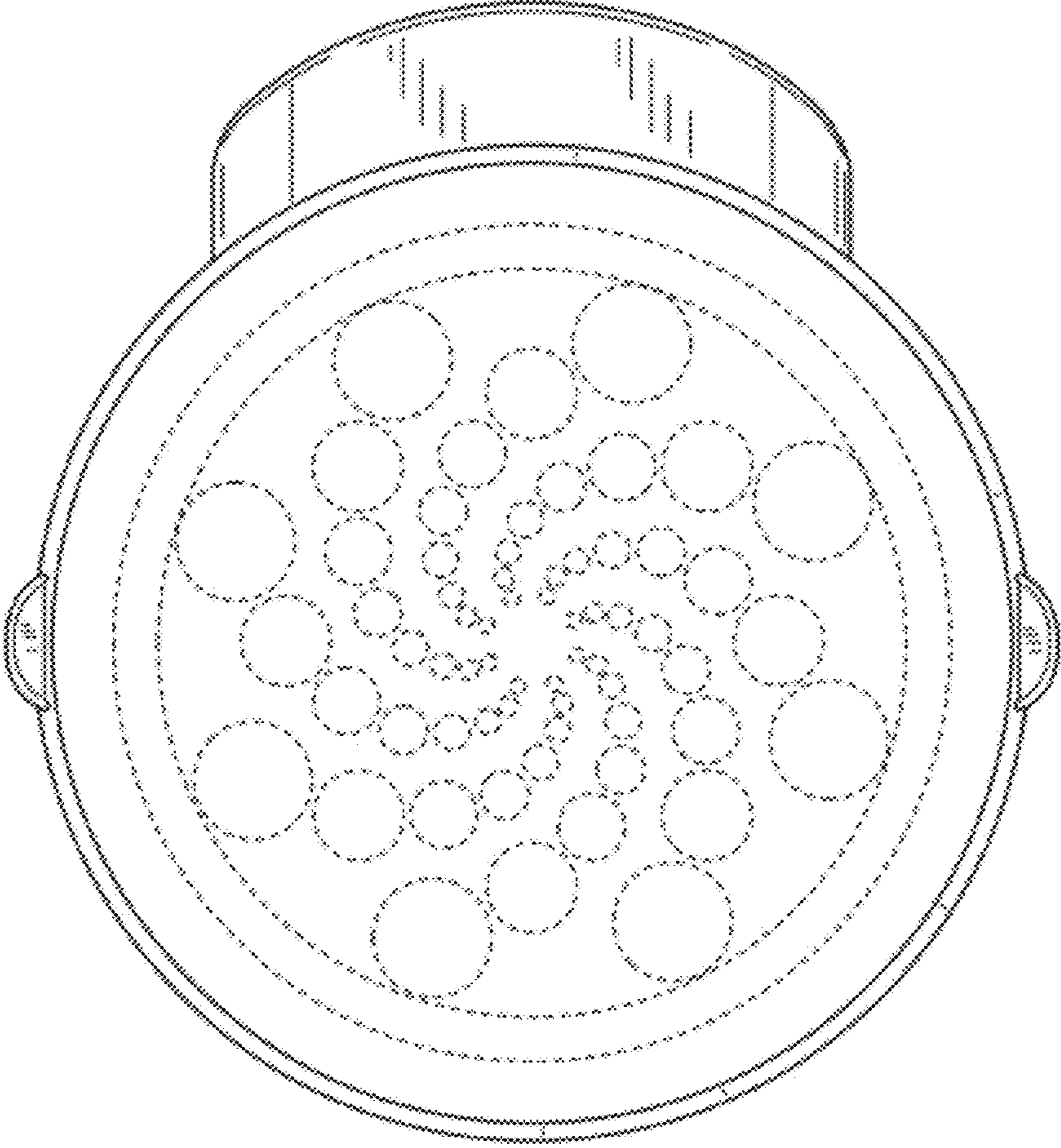
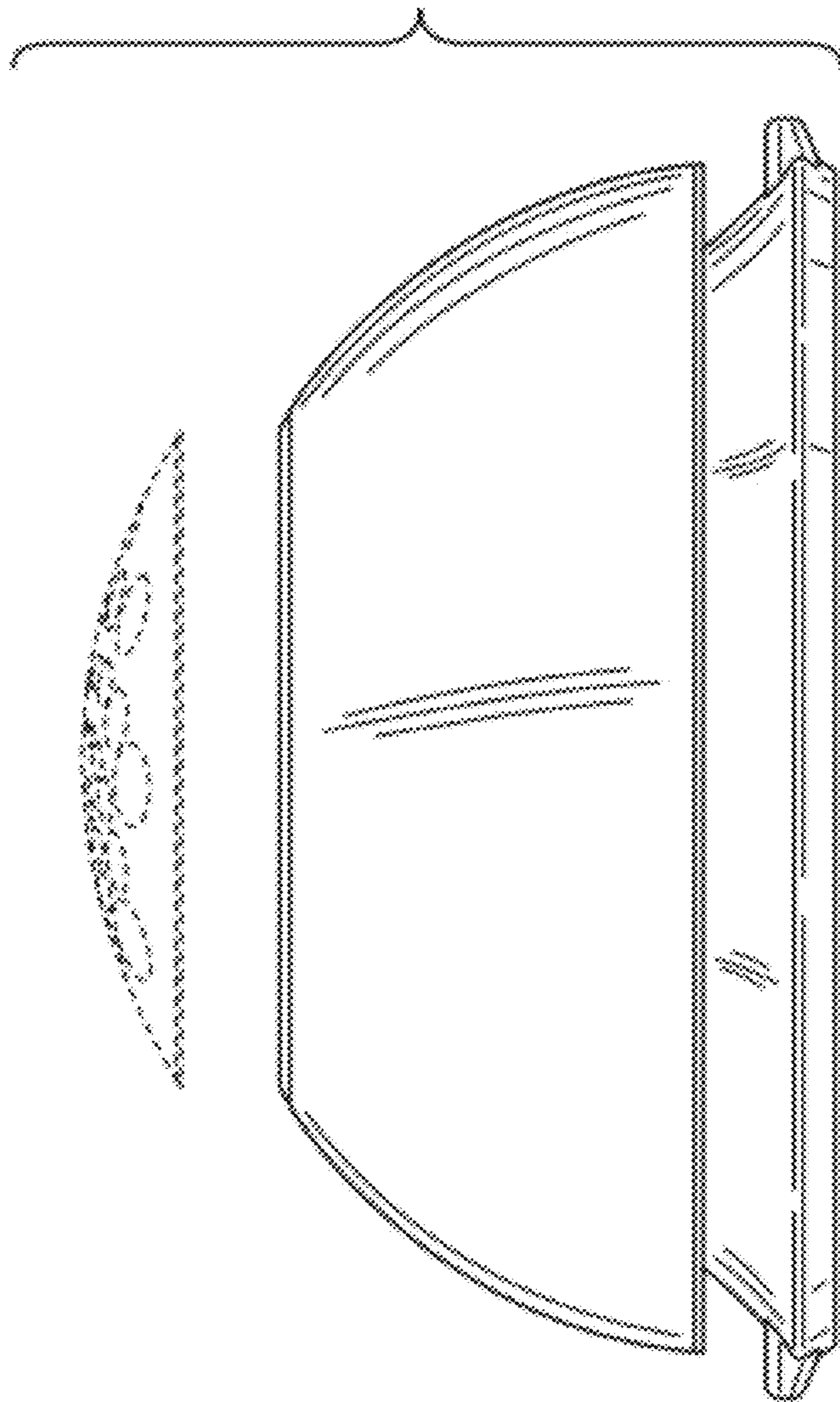
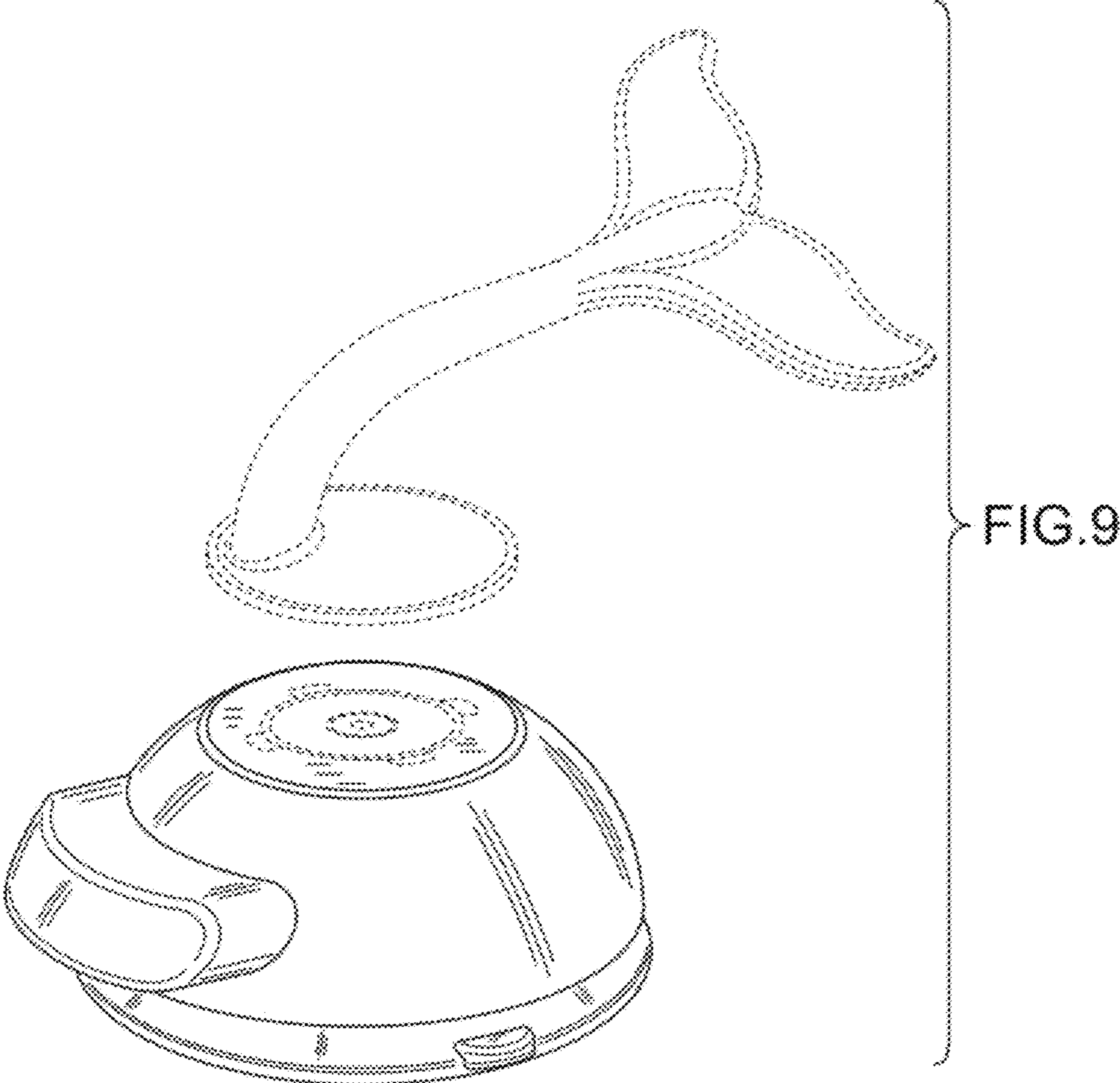


FIG.7

FIG. 8





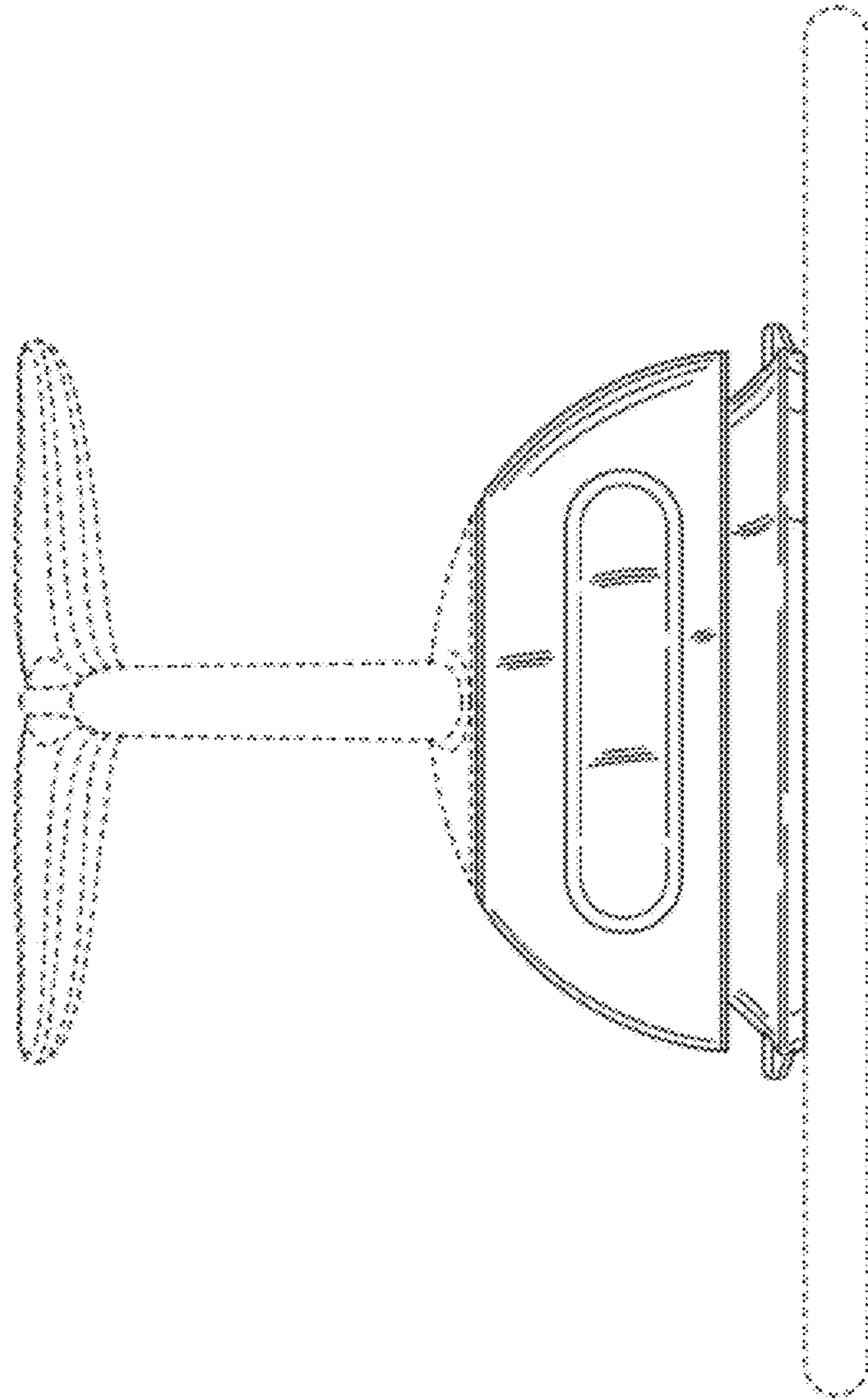


FIG. 10

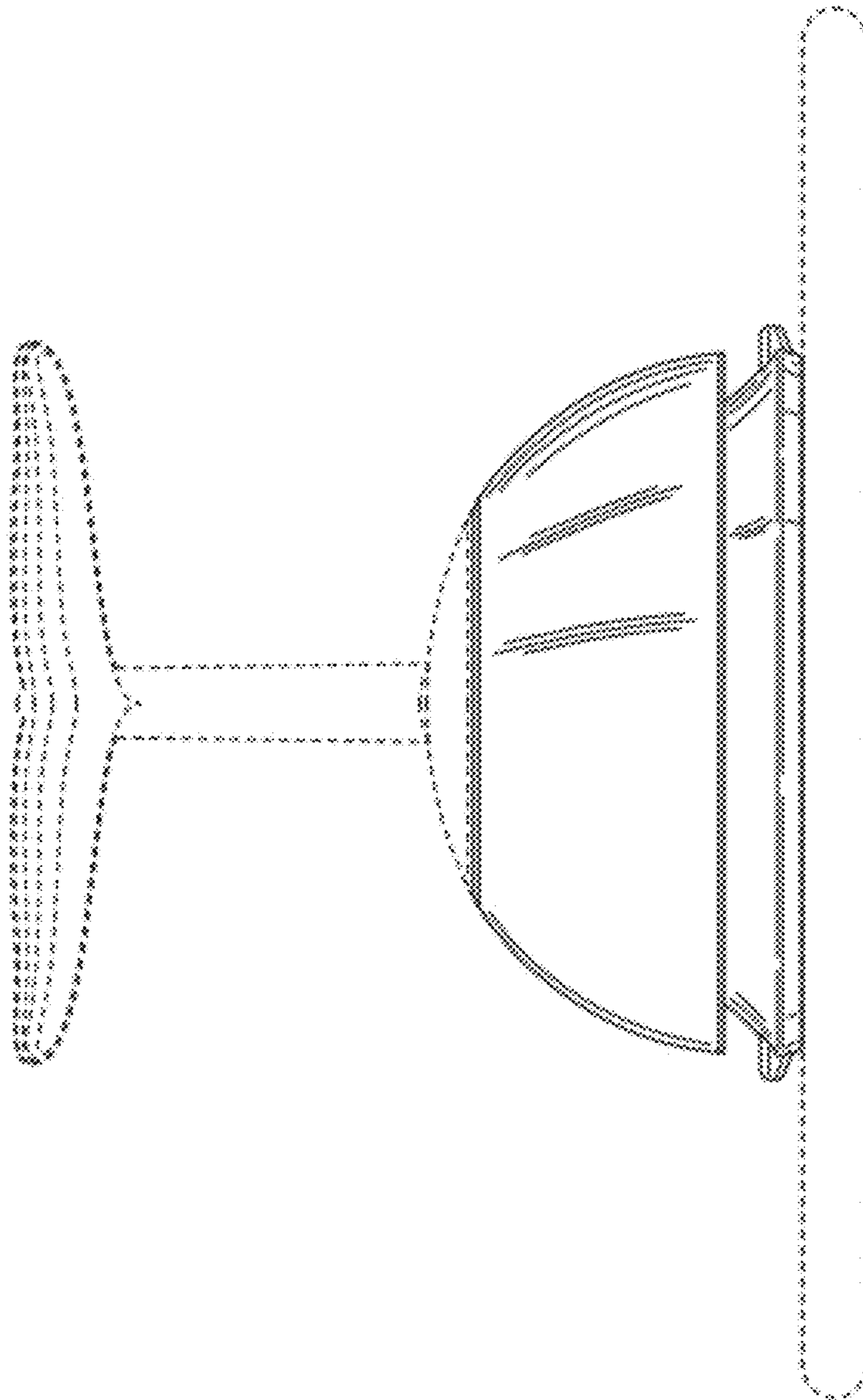


FIG.11

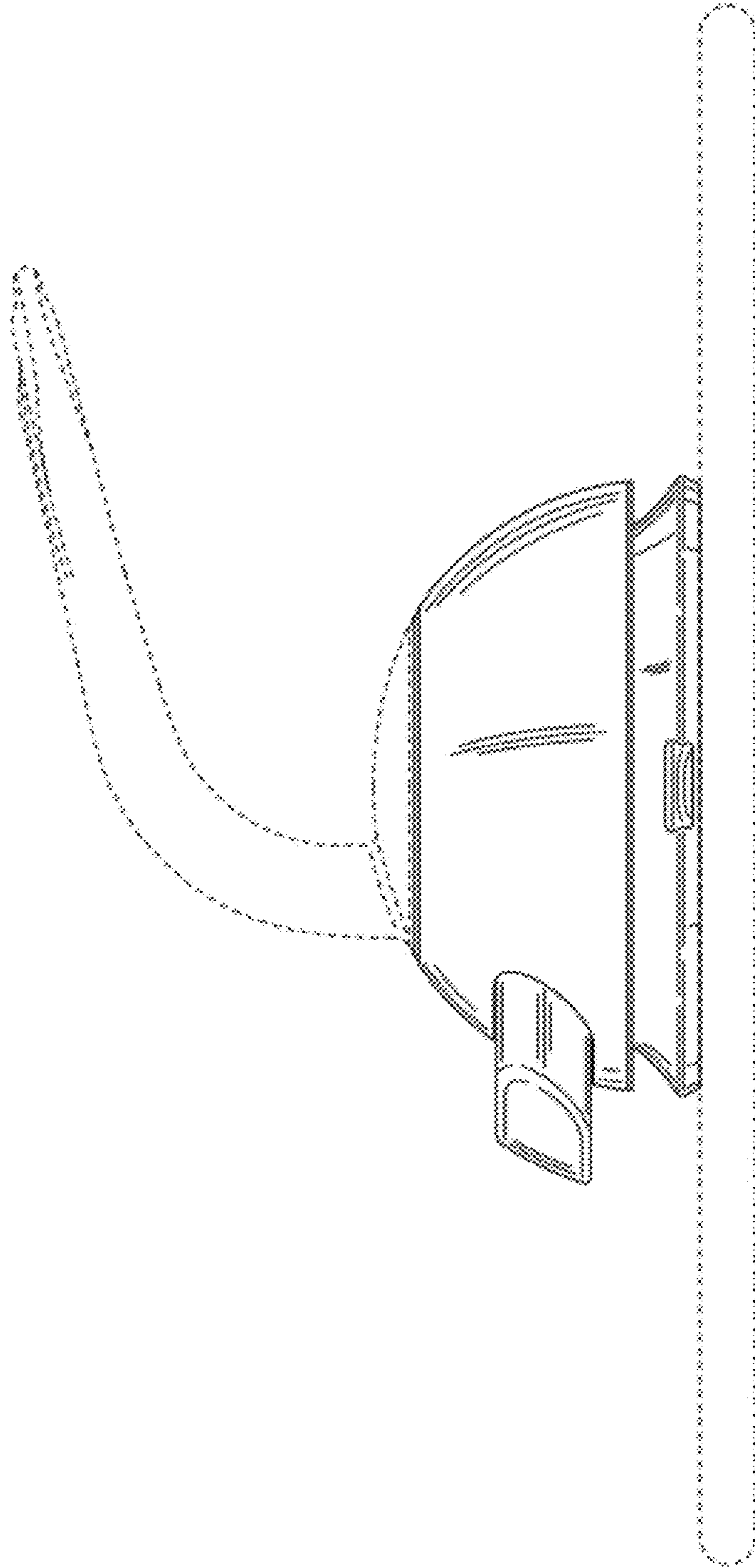


FIG.12

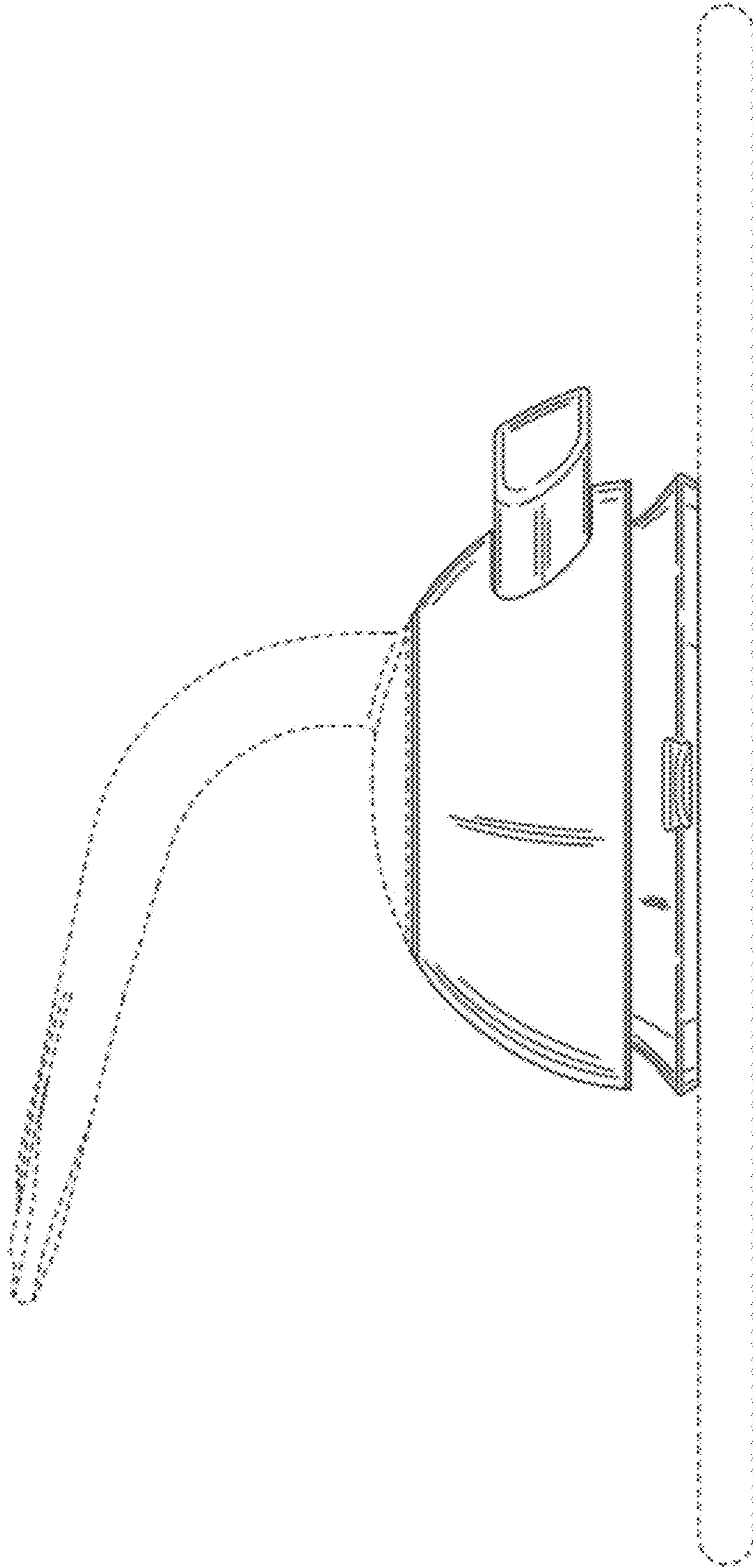


FIG.13

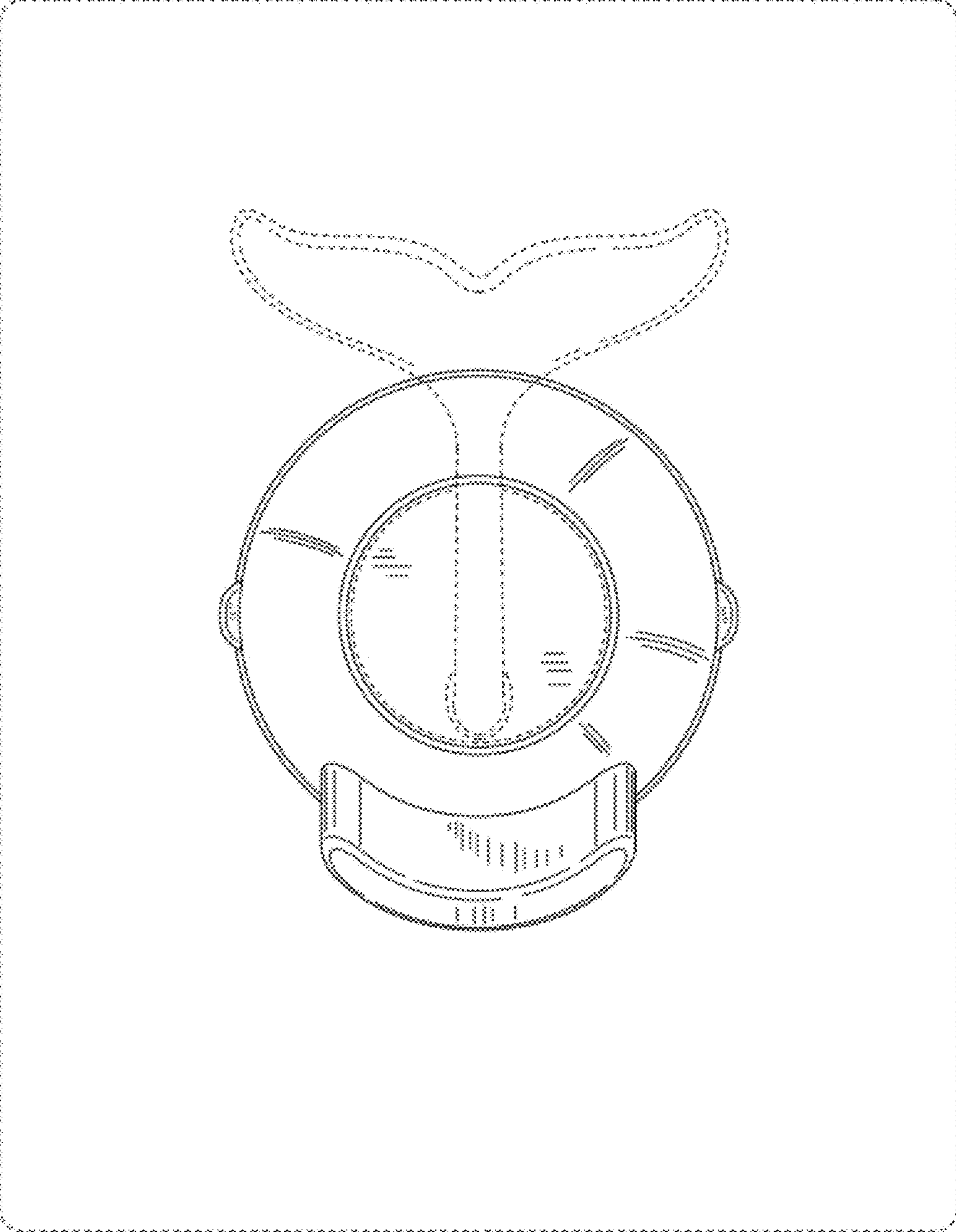


FIG. 14

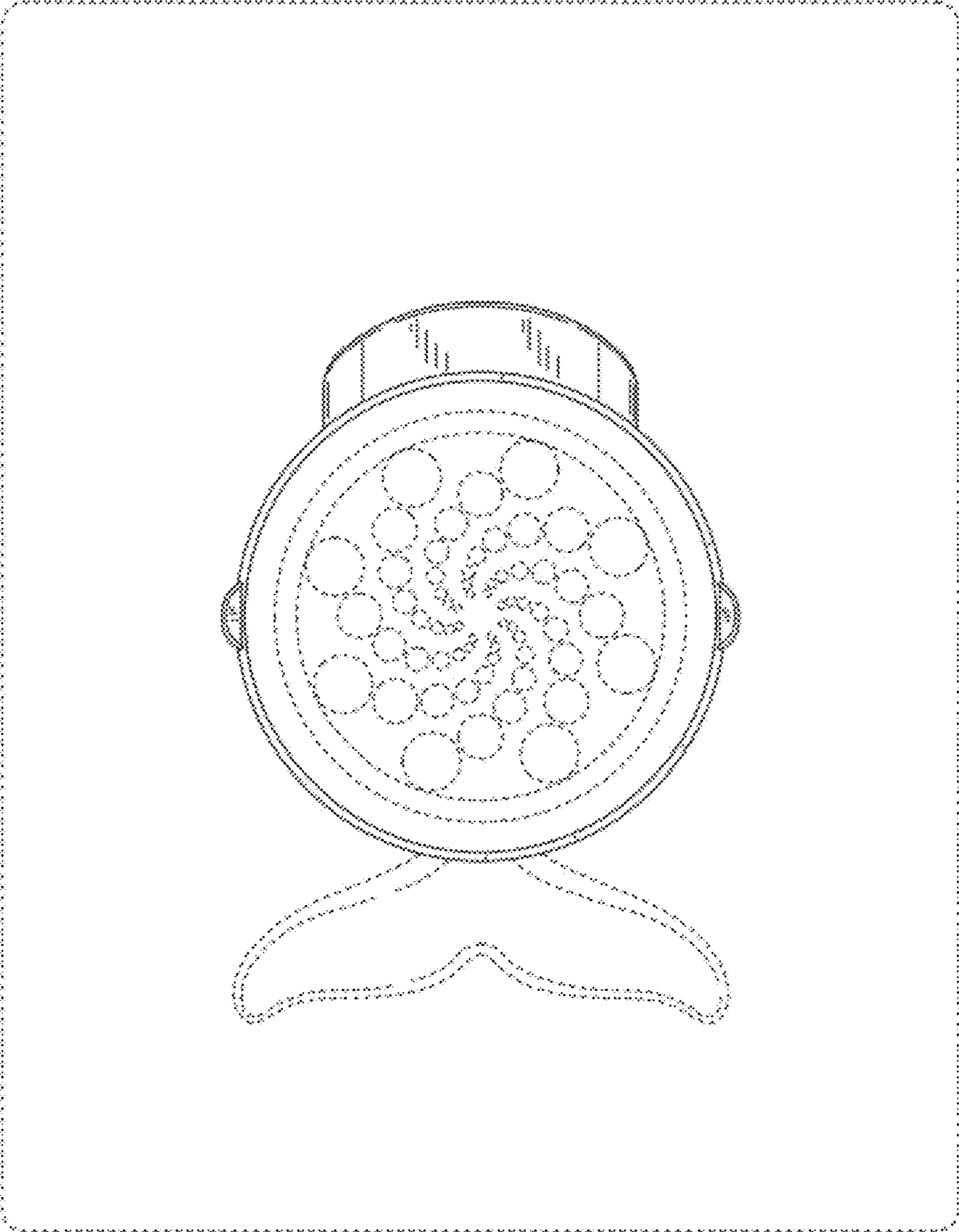


FIG.15