



US00D673526S

(12) **United States Design Patent**
Gander et al.

(10) **Patent No.:** **US D673,526 S**
(45) **Date of Patent:** **** Jan. 1, 2013**

(54) **LOUDSPEAKER HOUSING**

(75) Inventors: **Mark Robert Gander**, Los Angeles, CA (US); **Richard Ruse**, Simi Valley, CA (US)

(73) Assignee: **Harman International Industries, Incorporated**, Northridge, CA (US)

(**) Term: **14 Years**

(21) Appl. No.: **29/410,858**

(22) Filed: **Jan. 12, 2012**

(51) **LOC (9) Cl.** **14-03**

(52) **U.S. Cl.** **D14/214**

(58) **Field of Classification Search** D14/172,
D14/194, 196, 204, 207, 210–216; 181/143,
181/144, 147, 148, 150, 153, 157, 198, 199;
381/300–303, 306, 332, 333, 336, 345, 361–364,
381/386–388

See application file for complete search history.

(56) **References Cited**

U.S. PATENT DOCUMENTS

D281,597 S	*	12/1985	Matushima	D14/214
D295,857 S	*	5/1988	Nagashima	D14/210
D359,286 S	*	6/1995	Fujino	D14/212
D372,917 S	*	8/1996	Kobayashi	D14/214
D421,754 S	*	3/2000	Ito et al.	D14/214
D439,237 S	*	3/2001	Felix et al.	D14/214
D503,703 S	*	4/2005	Beckett et al.	D14/214
D565,549 S	*	4/2008	Sawhney et al.	D14/214
D568,293 S	*	5/2008	Sawhney et al.	D14/214
D568,294 S	*	5/2008	Sawhney et al.	D14/214
D575,271 S	*	8/2008	Baird et al.	D14/214
D582,892 S	*	12/2008	Baird et al.	D14/214

* cited by examiner

Primary Examiner — Keli L Hill

(74) *Attorney, Agent, or Firm* — Plumsea Law Group, LLC

(57) **CLAIM**

The ornamental design for a loudspeaker housing, as shown and described.

DESCRIPTION

FIG. 1 is a perspective view of a loudspeaker housing showing our new design;

FIG. 2 is top plan view thereof;

FIG. 3 is a front elevational view thereof;

FIG. 4 is a rear elevational view thereof;

FIG. 5 is an end elevational view thereof, shown rotated from the orientation in FIG. 1;

FIG. 6 is another perspective view thereof in an orientation that is rotated forward of the orientation of FIG. 1;

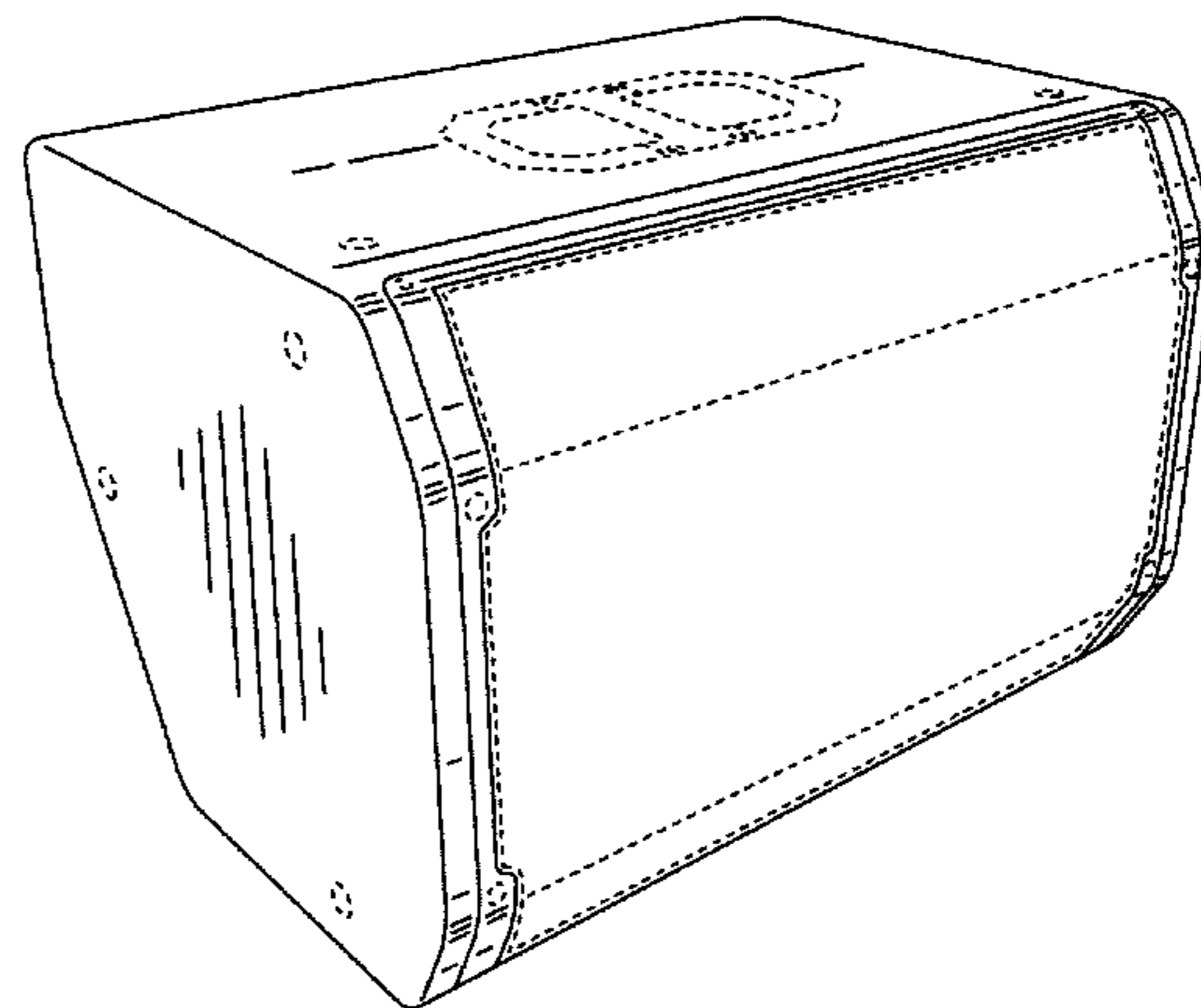
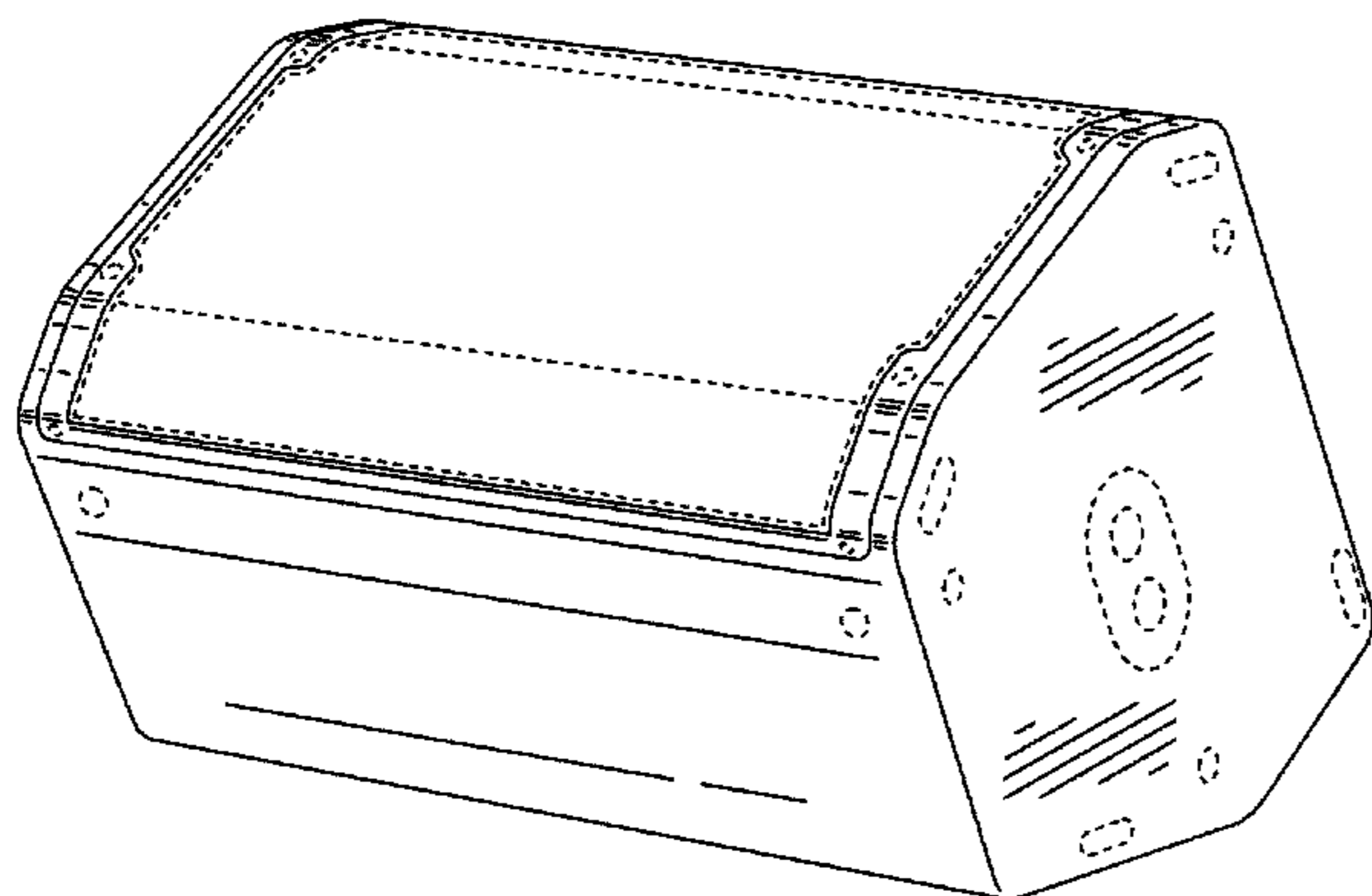
FIG. 7 is another perspective view thereof in a vertical orientation; and,

FIG. 8 is an elevational view thereof in a vertical orientation.

The orientation illustrated in FIGS. 1-4 is a possible horizontal orientation during use. As evident from the end view, FIG. 5, the claimed loudspeaker has seven sides and the loudspeaker may be rotated such that any side may serve as a base as illustrated in FIGS. 5 and 6. The orientation illustrated in FIGS. 7-8 is a possible vertical orientation during use.

The broken lines shown are included for the purpose of illustrating the unclaimed portions of the article and form no part of the claim.

1 Claim, 7 Drawing Sheets



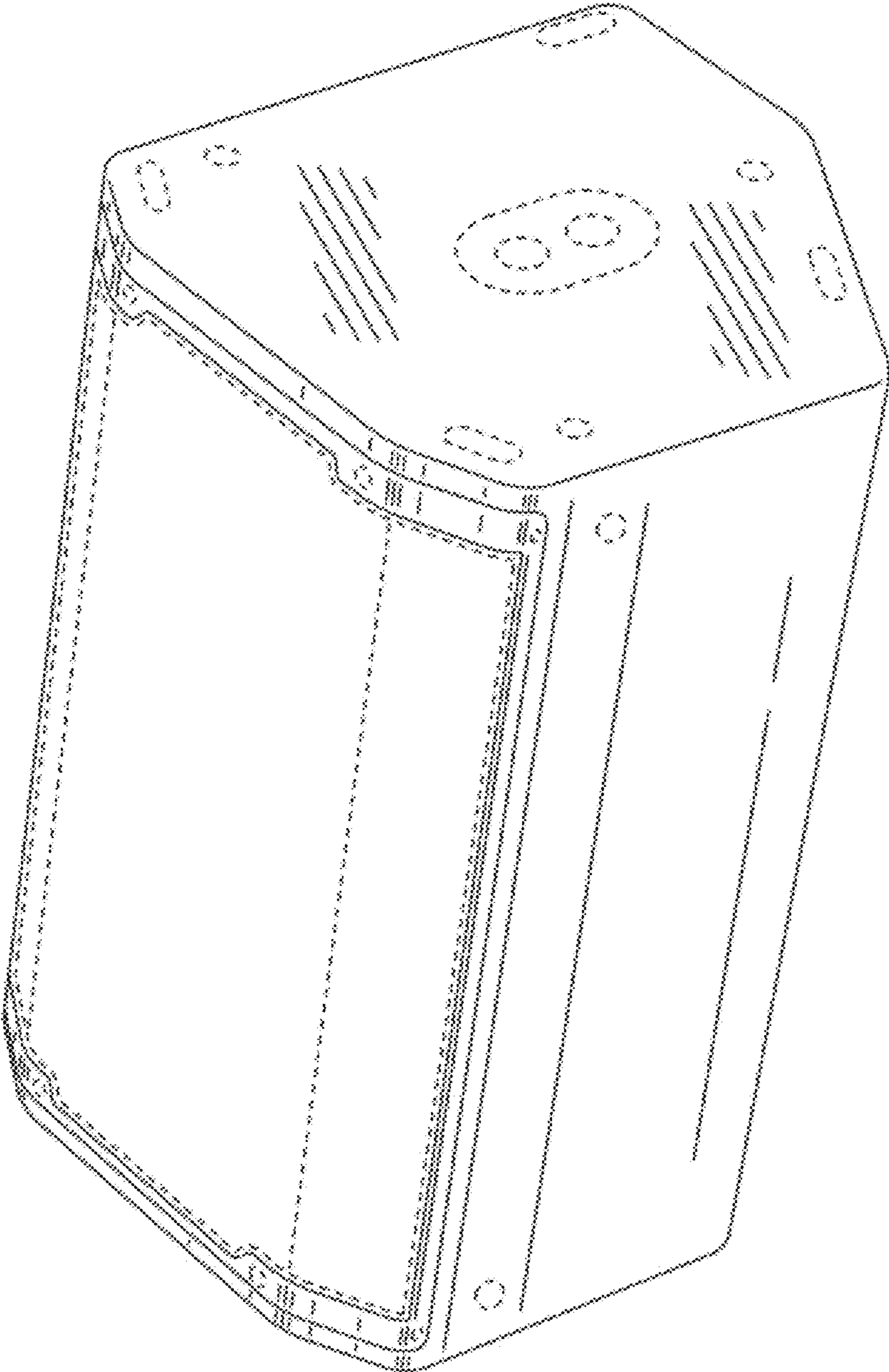


FIG. 1

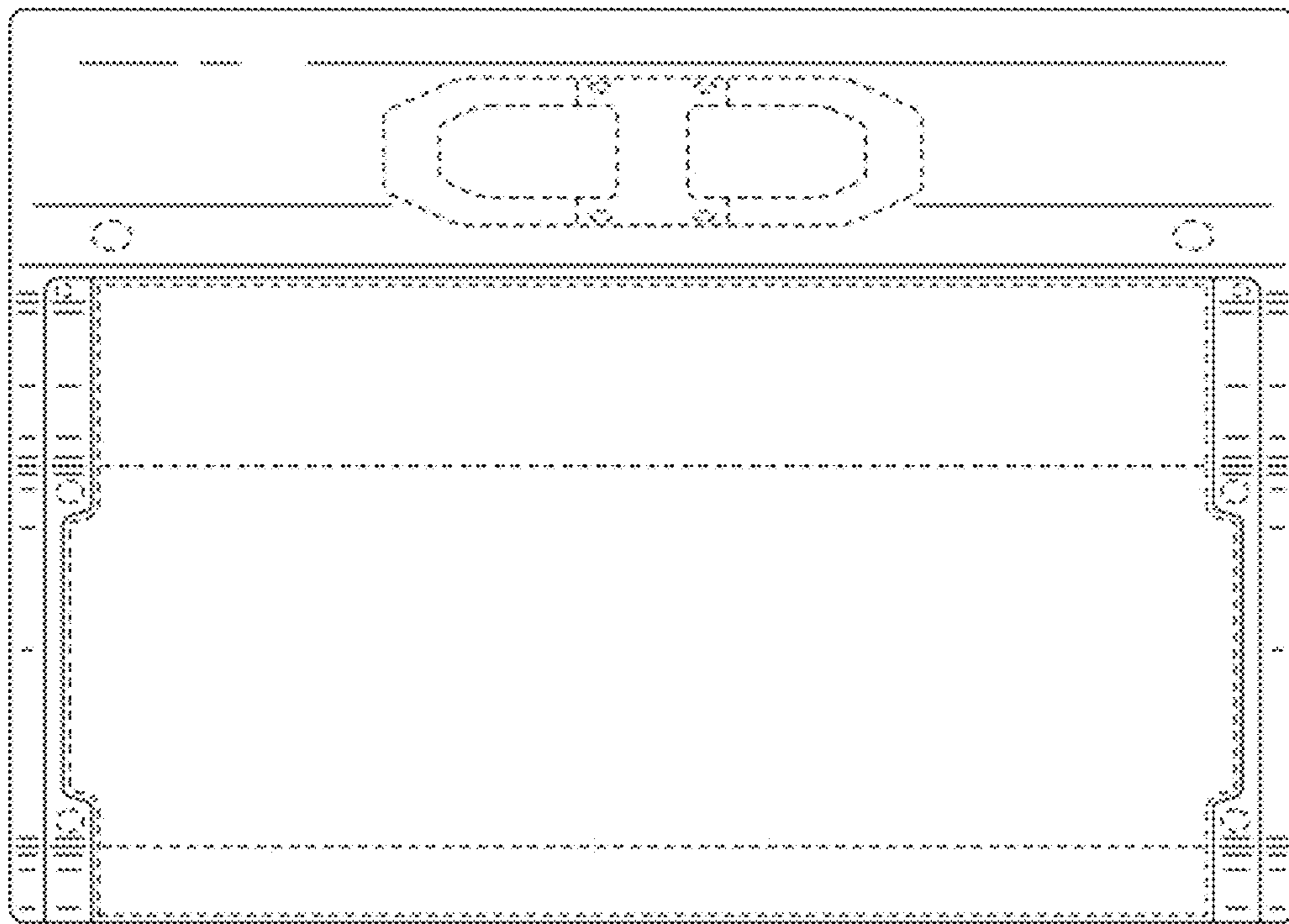


FIG. 2

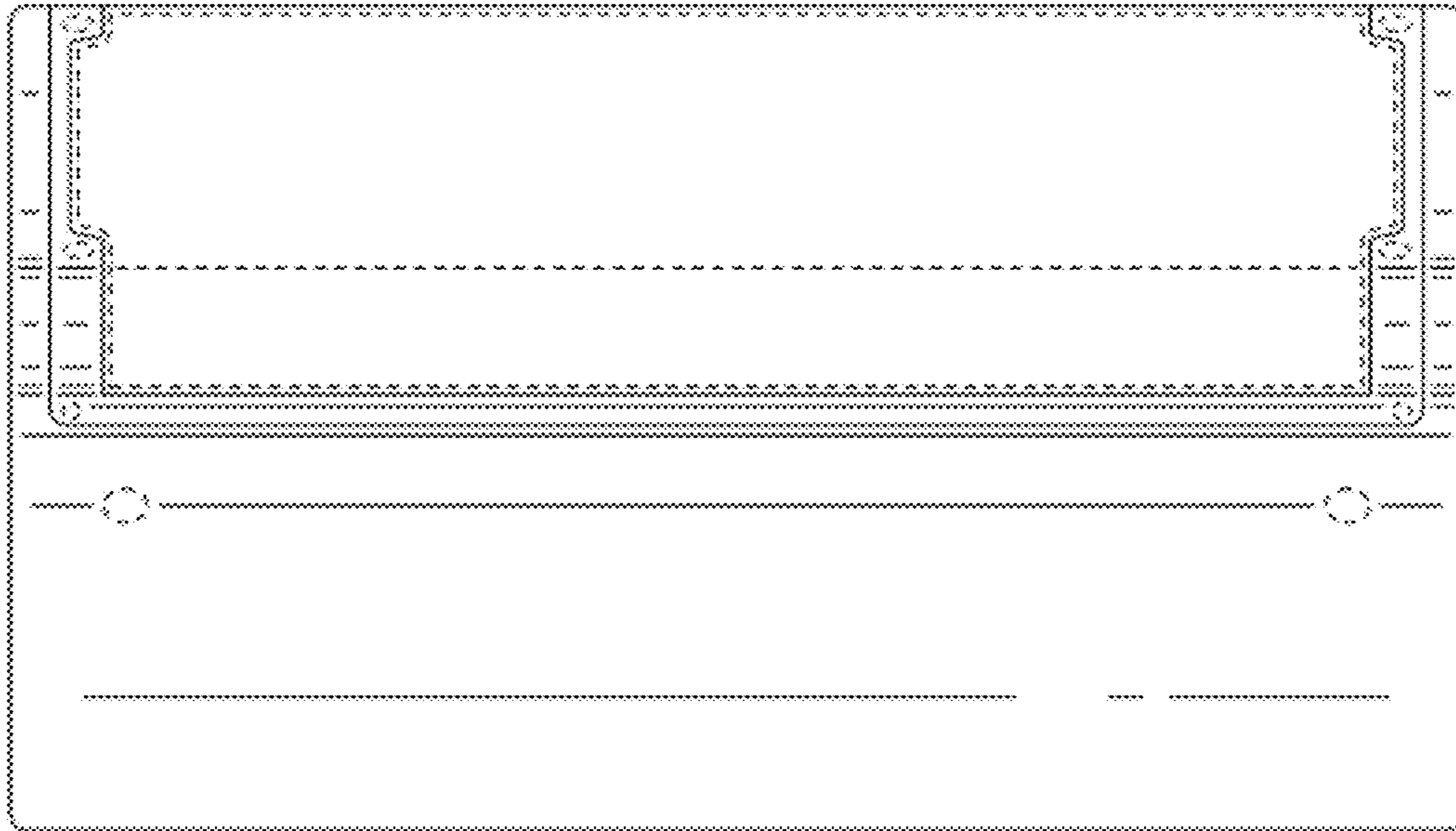


FIG. 3

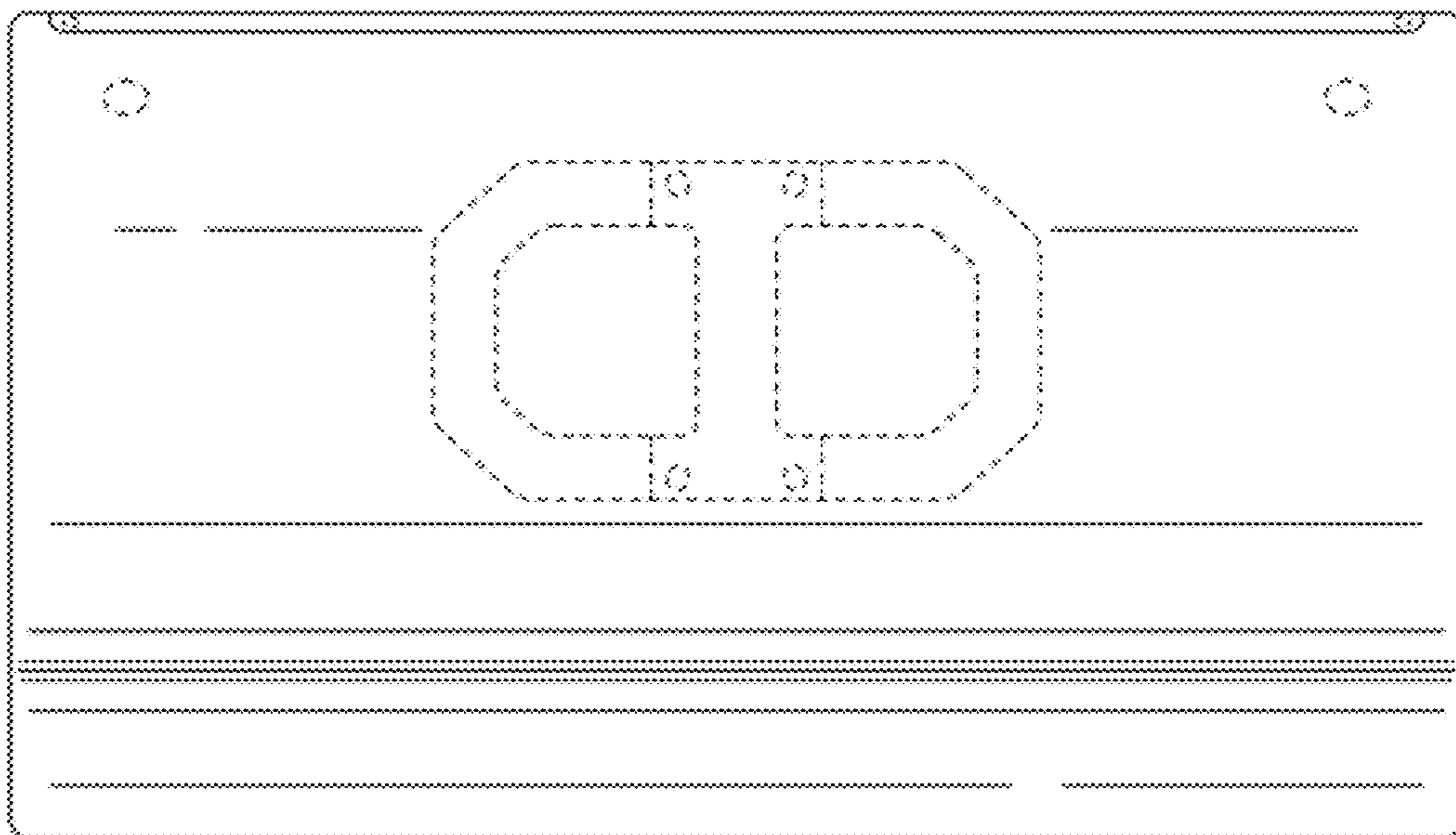


FIG. 4

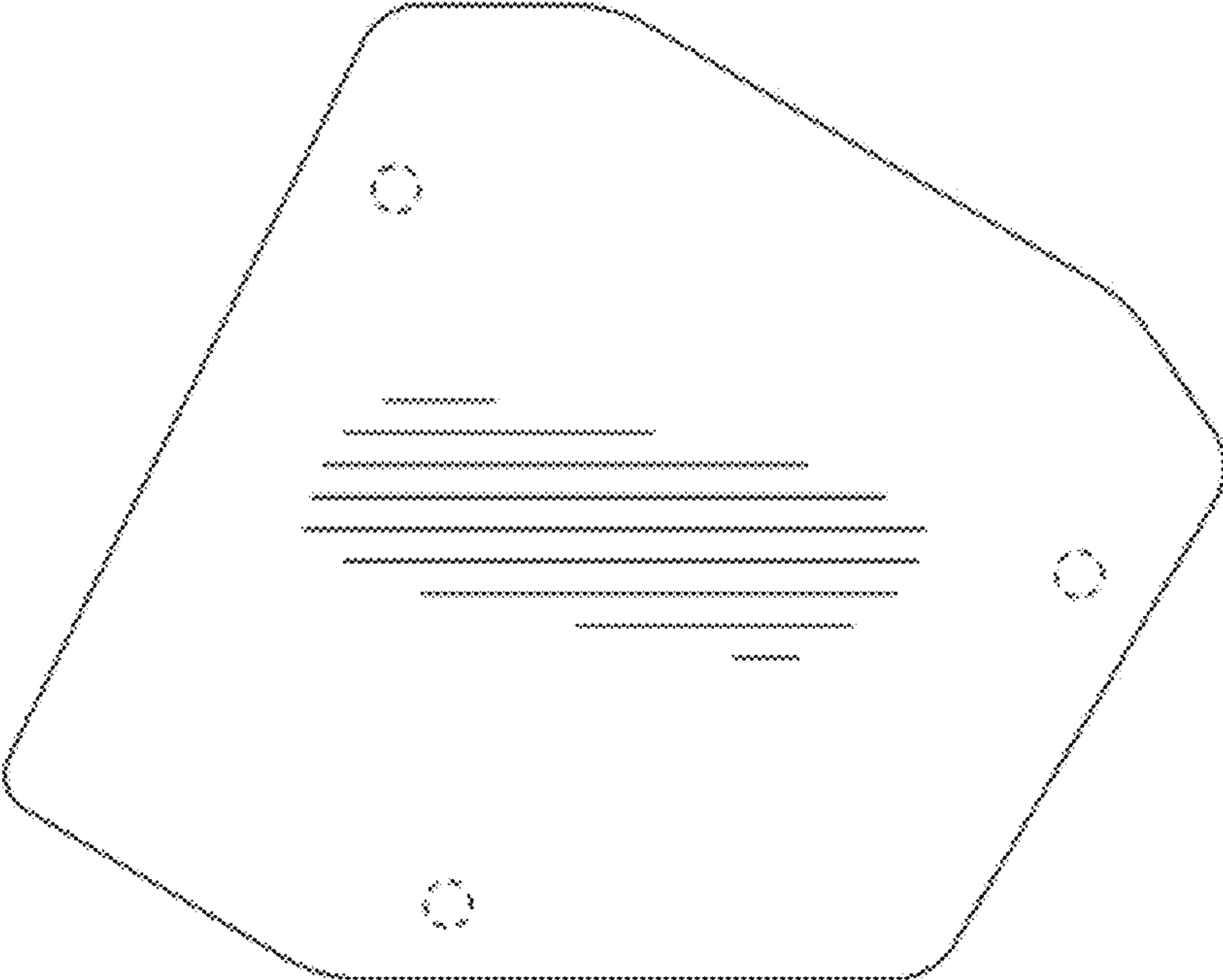


FIG. 5

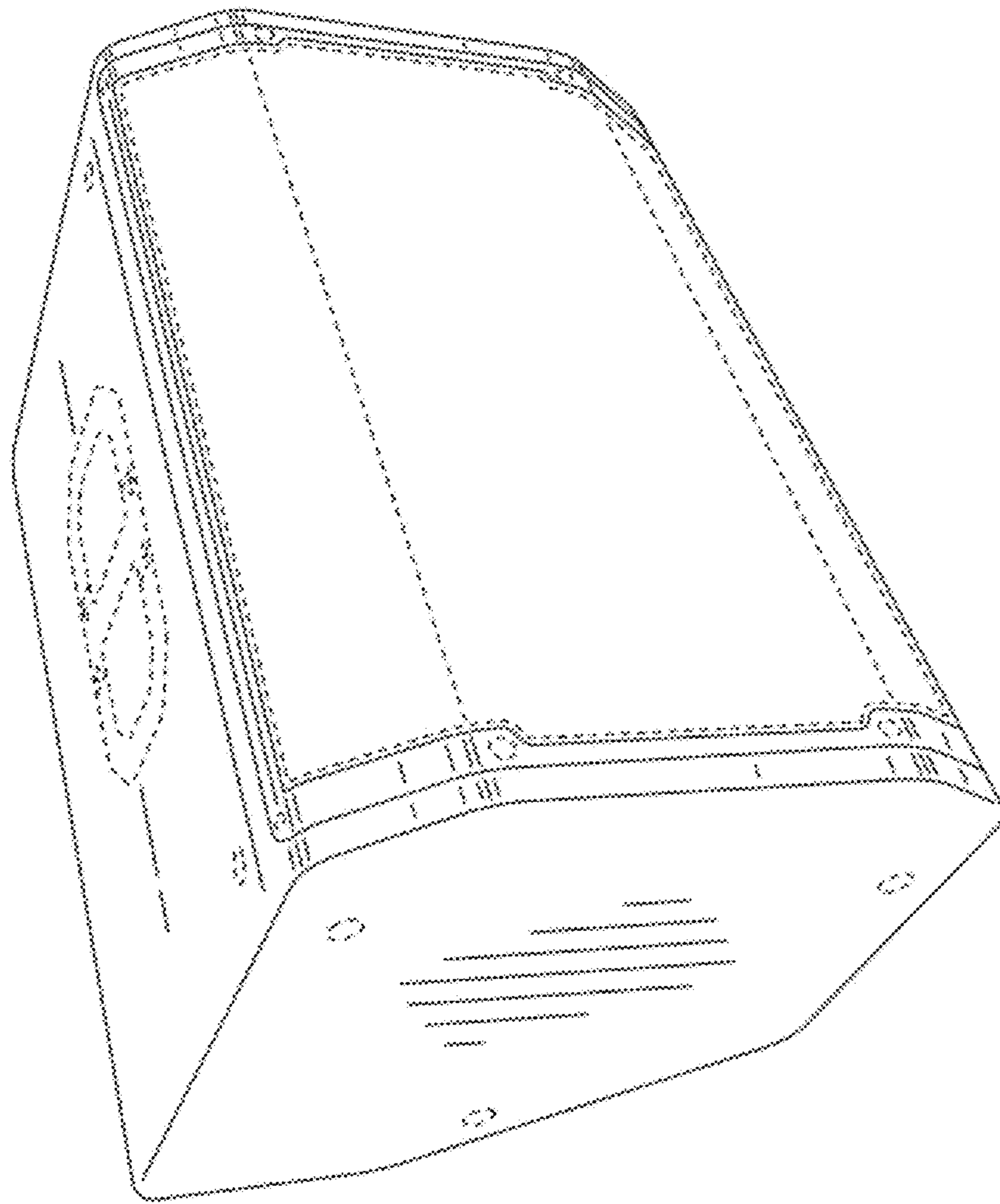


FIG. 6

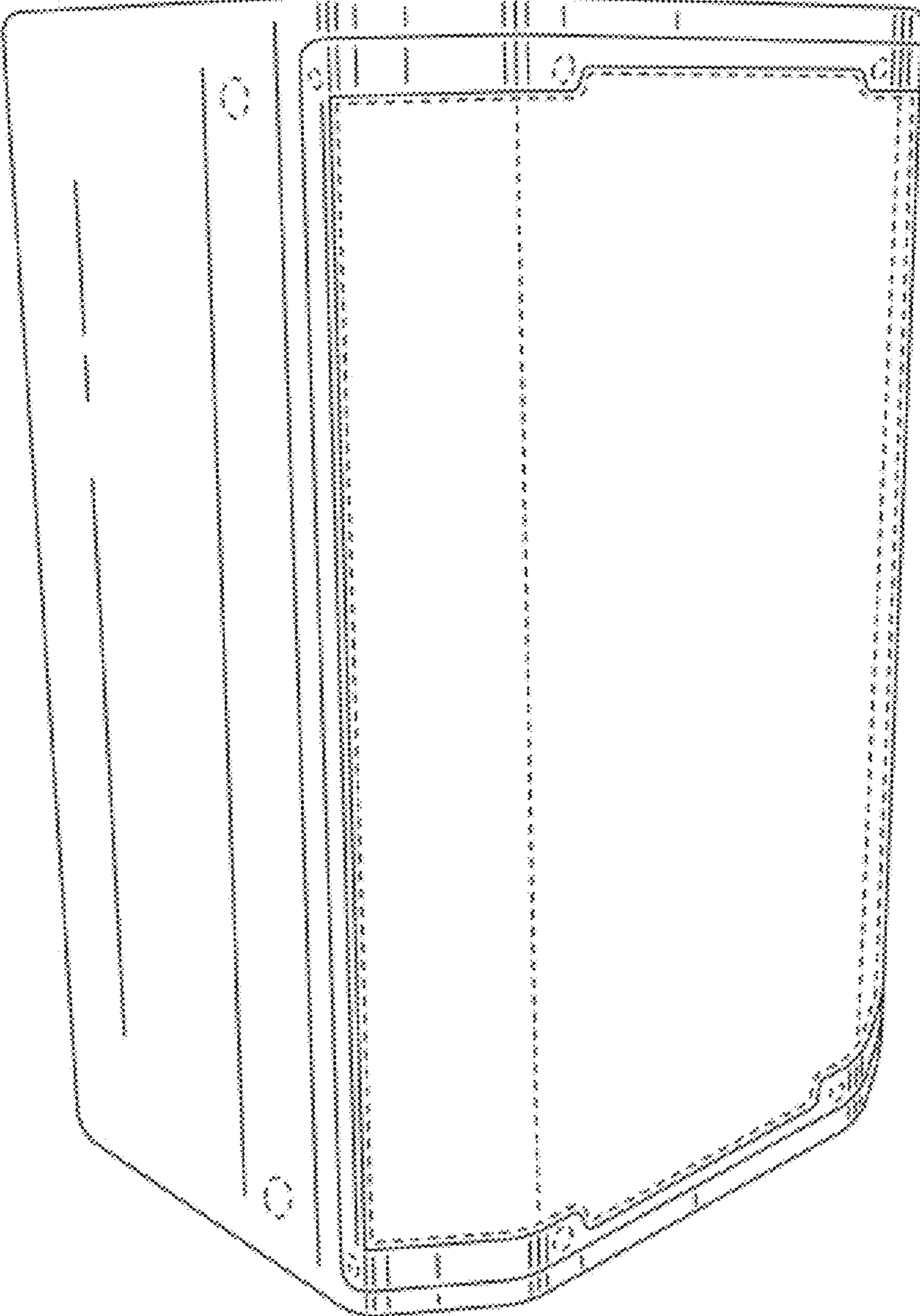


FIG. 7

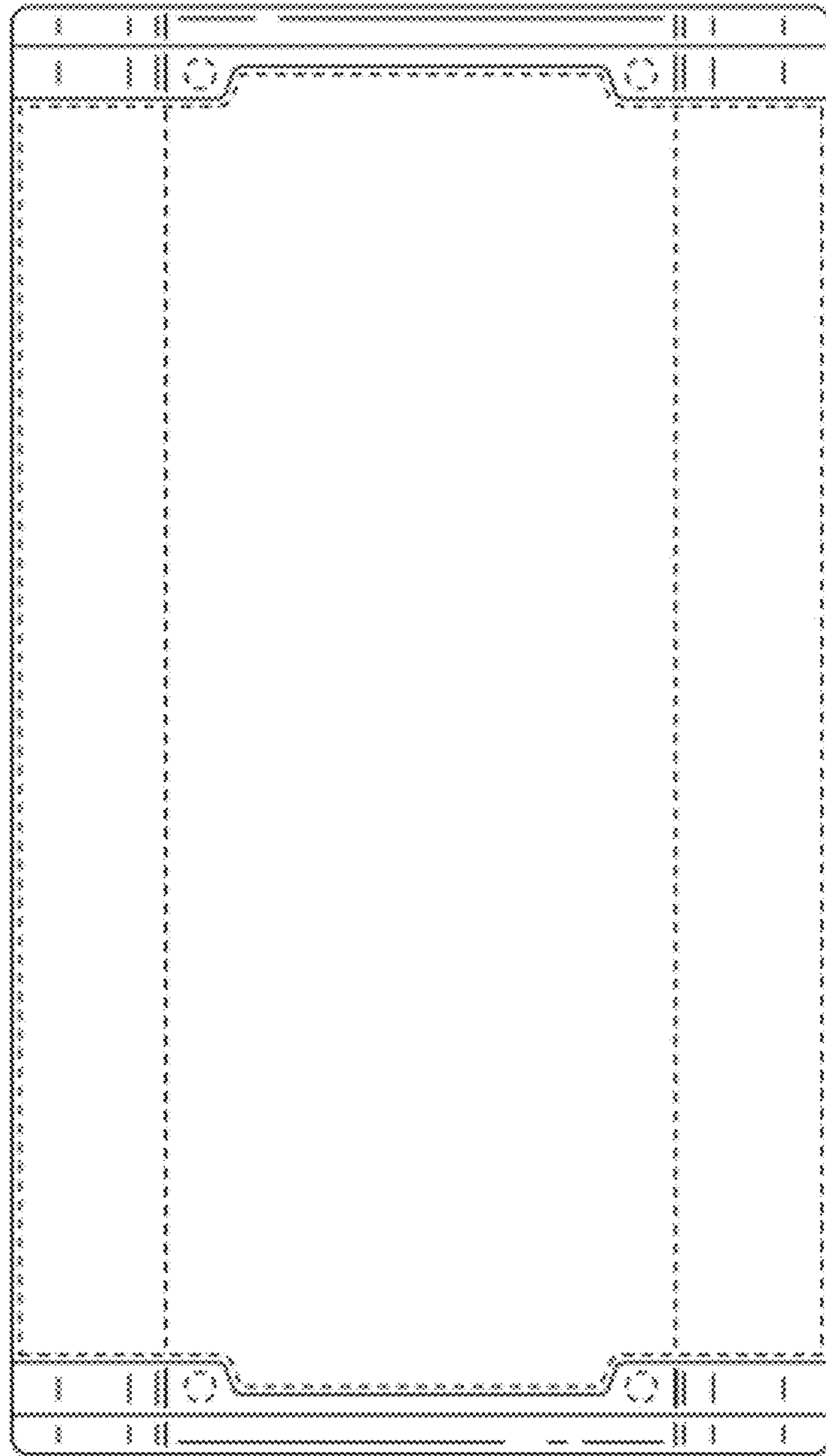


FIG. 8