



US00D673525S

(12) **United States Design Patent**
Goetzen et al.

(10) **Patent No.:** **US D673,525 S**
(45) **Date of Patent:** **** Jan. 1, 2013**

(54) **SPEAKER BOX**

(75) Inventors: **Mirko Goetzen**, Surrey (GB); **Hiroaki Yokota**, Tokyo (JP)

(73) Assignee: **Sony Corporation**, Tokyo (JP)

(**) Term: **14 Years**

(21) Appl. No.: **29/371,662**

(22) Filed: **Jun. 28, 2011**

(30) **Foreign Application Priority Data**

Dec. 28, 2010 (CN) 2010 3 078323

(51) **LOC (9) Cl.** **14-01**

(52) **U.S. Cl.** **D14/209.1**

(58) **Field of Classification Search** D14/204,
D14/210–216, 172; 181/143–144, 147–148,
181/150–153, 157, 198–199; 381/300–303,
381/306, 332–333, 336, 345, 361–364, 386–388
See application file for complete search history.

(56) **References Cited**

U.S. PATENT DOCUMENTS

D446,188 S * 8/2001 Gershfeld D13/139.4
6,604,602 B1 * 8/2003 Kim 181/199
6,956,956 B2 * 10/2005 Kuratani et al. 381/397
D516,542 S * 3/2006 Kang et al. D14/214
D563,386 S * 3/2008 Foster D14/214
D570,829 S 6/2008 Matsuoka

D570,869 S 6/2008 Yamada
D577,002 S 9/2008 Kurihara
D578,106 S * 10/2008 Shimizu D14/214
D578,107 S * 10/2008 Shimizu D14/214
D581,398 S * 11/2008 Sugiyama D14/214
D586,327 S 2/2009 Shimizu
D639,271 S 6/2011 Xiao
D641,730 S * 7/2011 Oota D14/216

* cited by examiner

Primary Examiner — Prabhakar Deshmukh

(74) *Attorney, Agent, or Firm* — Rader, Fishman & Grauer PLLC

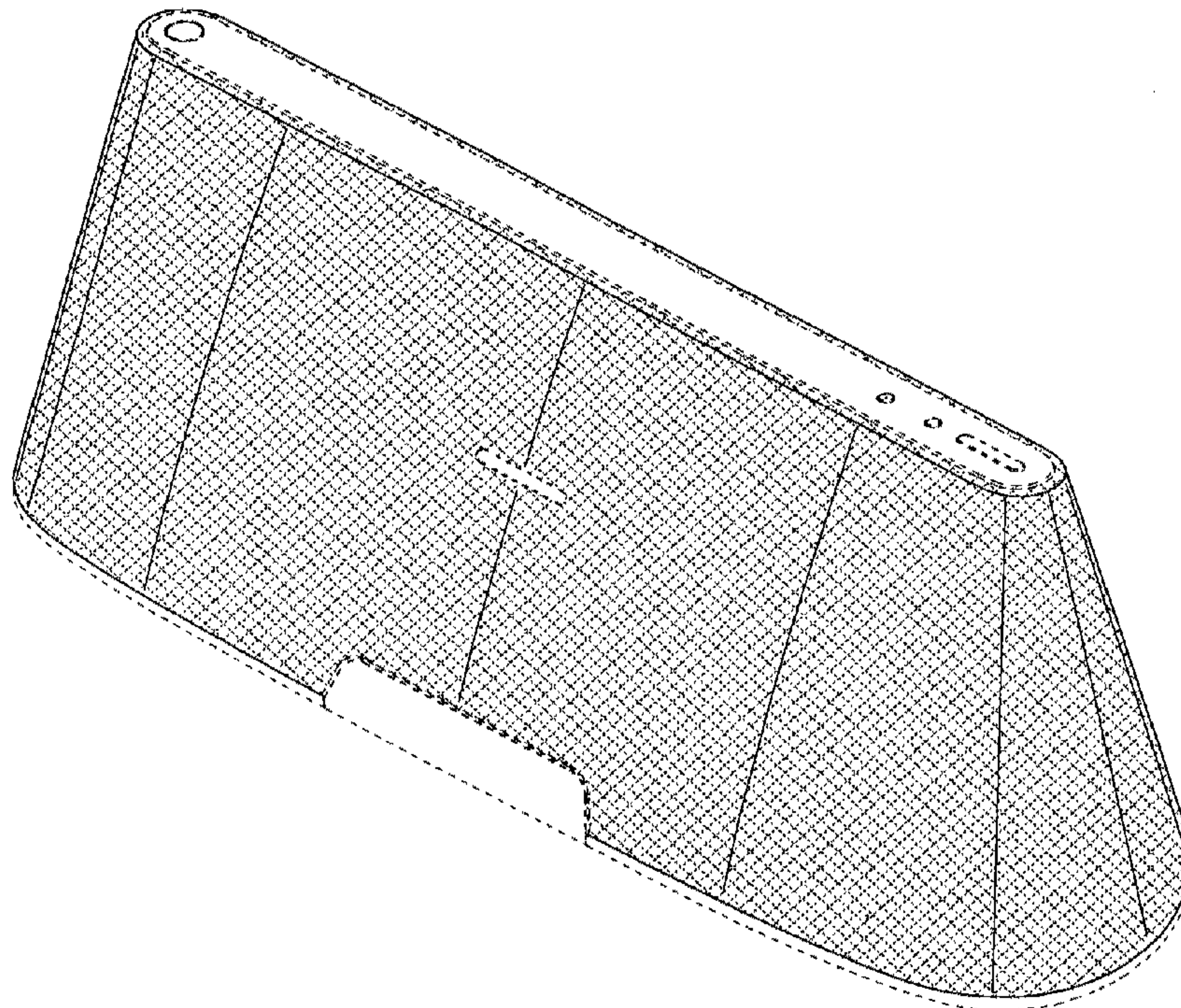
(57) **CLAIM**

The ornamental design for a speaker box, as shown and described.

DESCRIPTION

FIG. 1 is a perspective view of a speaker box showing our new design;
FIG. 2 is a front elevational view thereof;
FIG. 3 is a rear elevational view thereof;
FIG. 4 is a left side elevational view thereof;
FIG. 5 is a right side elevational view thereof;
FIG. 6 is a top plan view thereof; and,
FIG. 7 is a bottom plan view thereof.
Portions in broken lines are for illustrative purpose only and form no part of the claimed design.

1 Claim, 6 Drawing Sheets



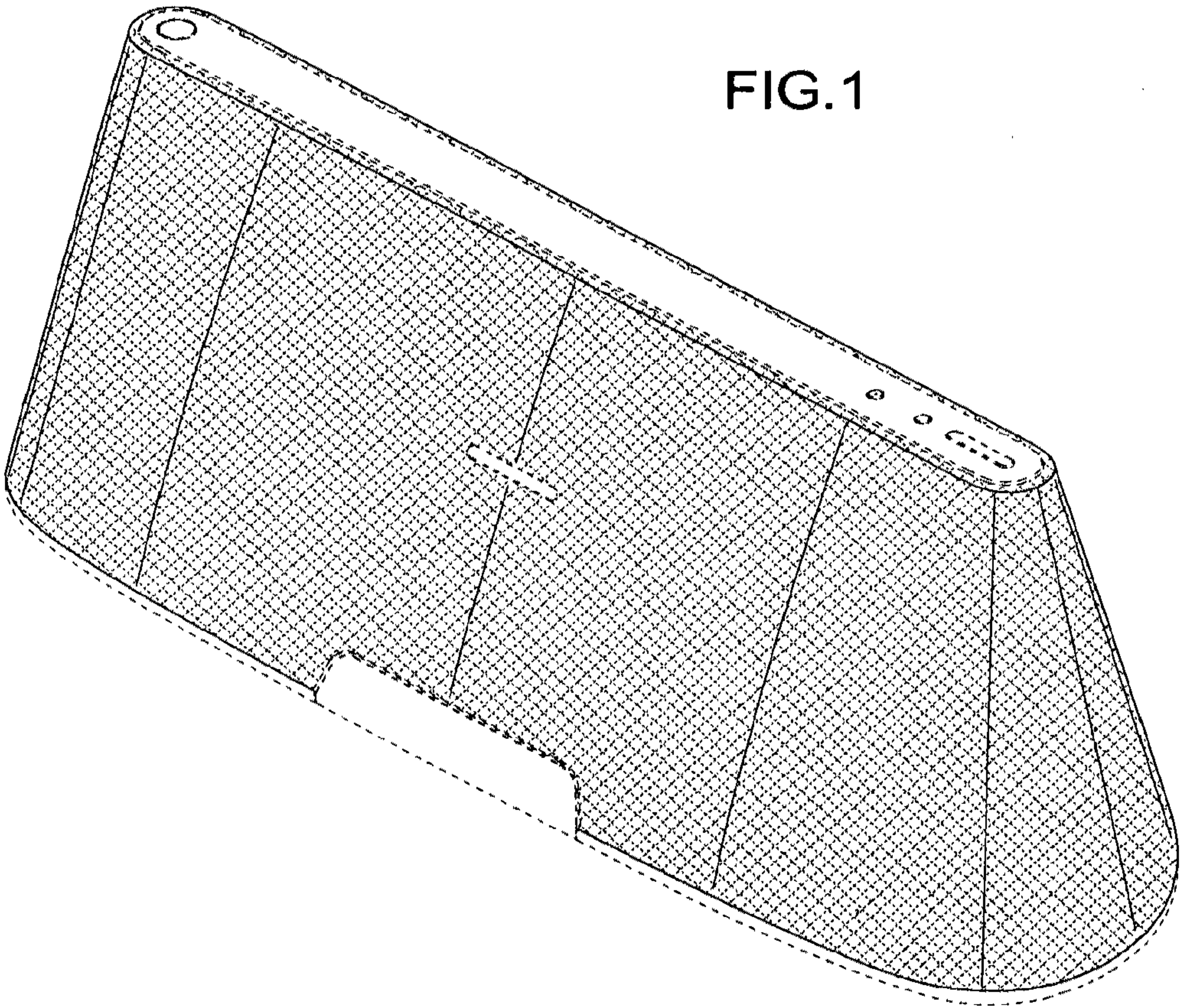


FIG.1

FIG.2

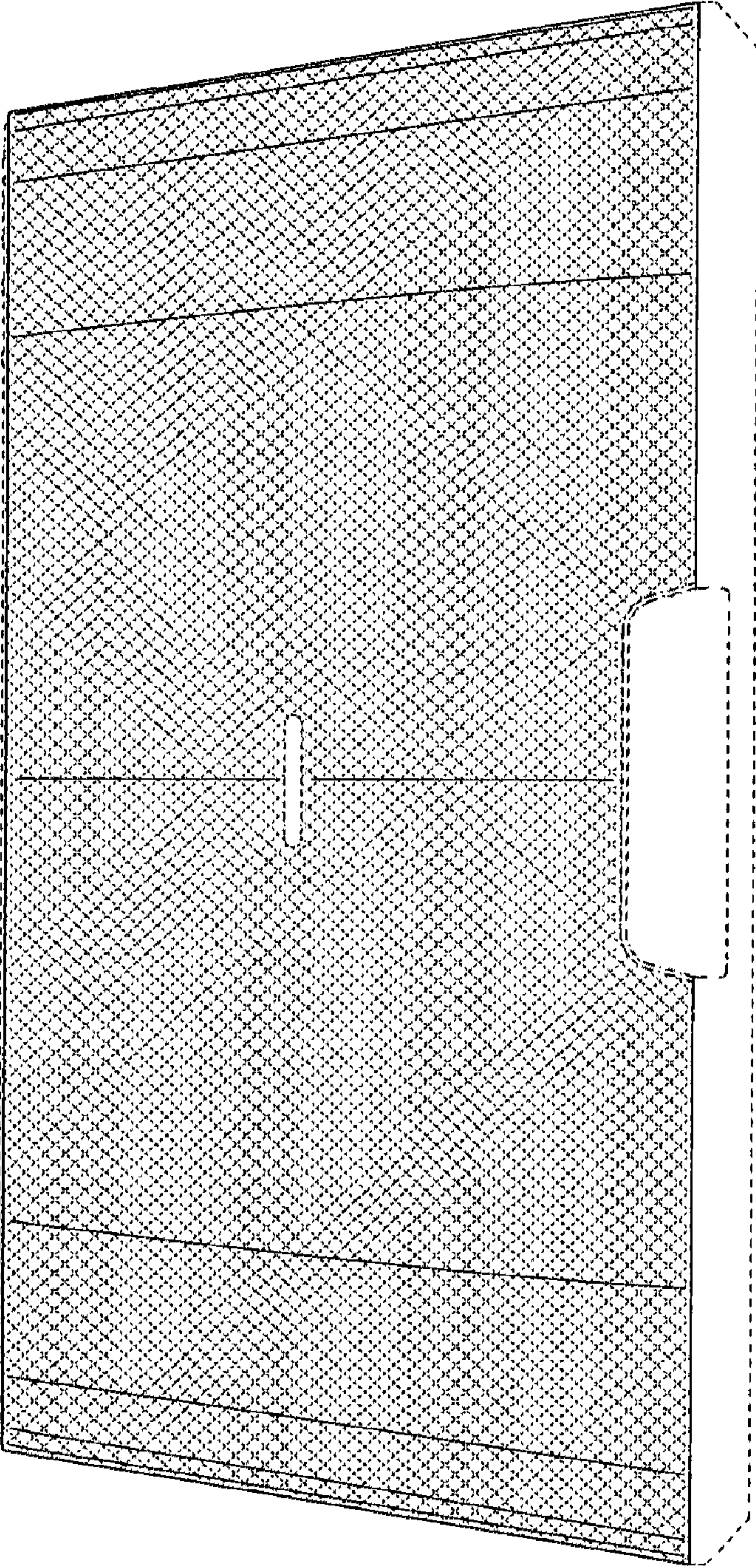


FIG.3

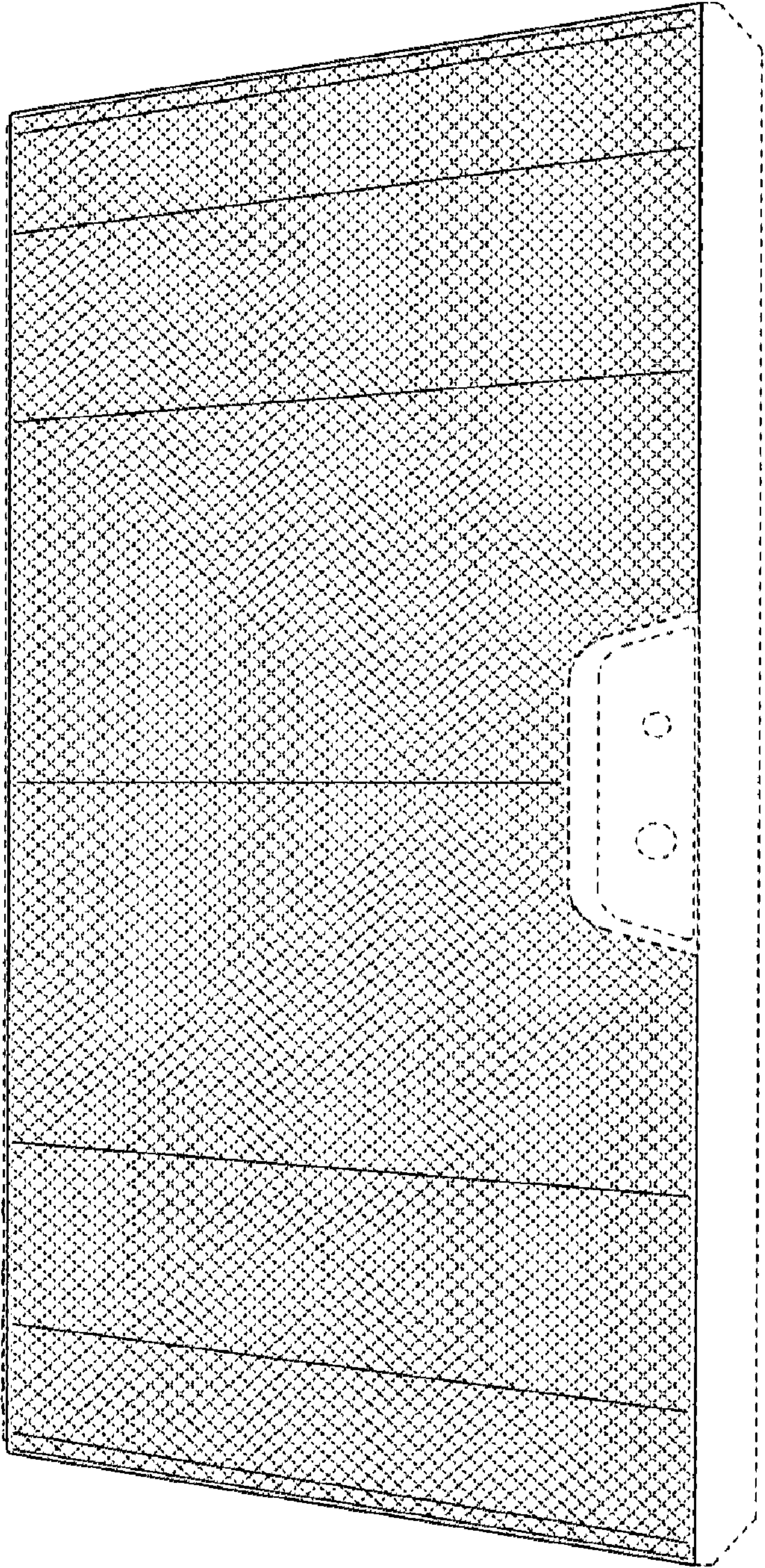


FIG.5

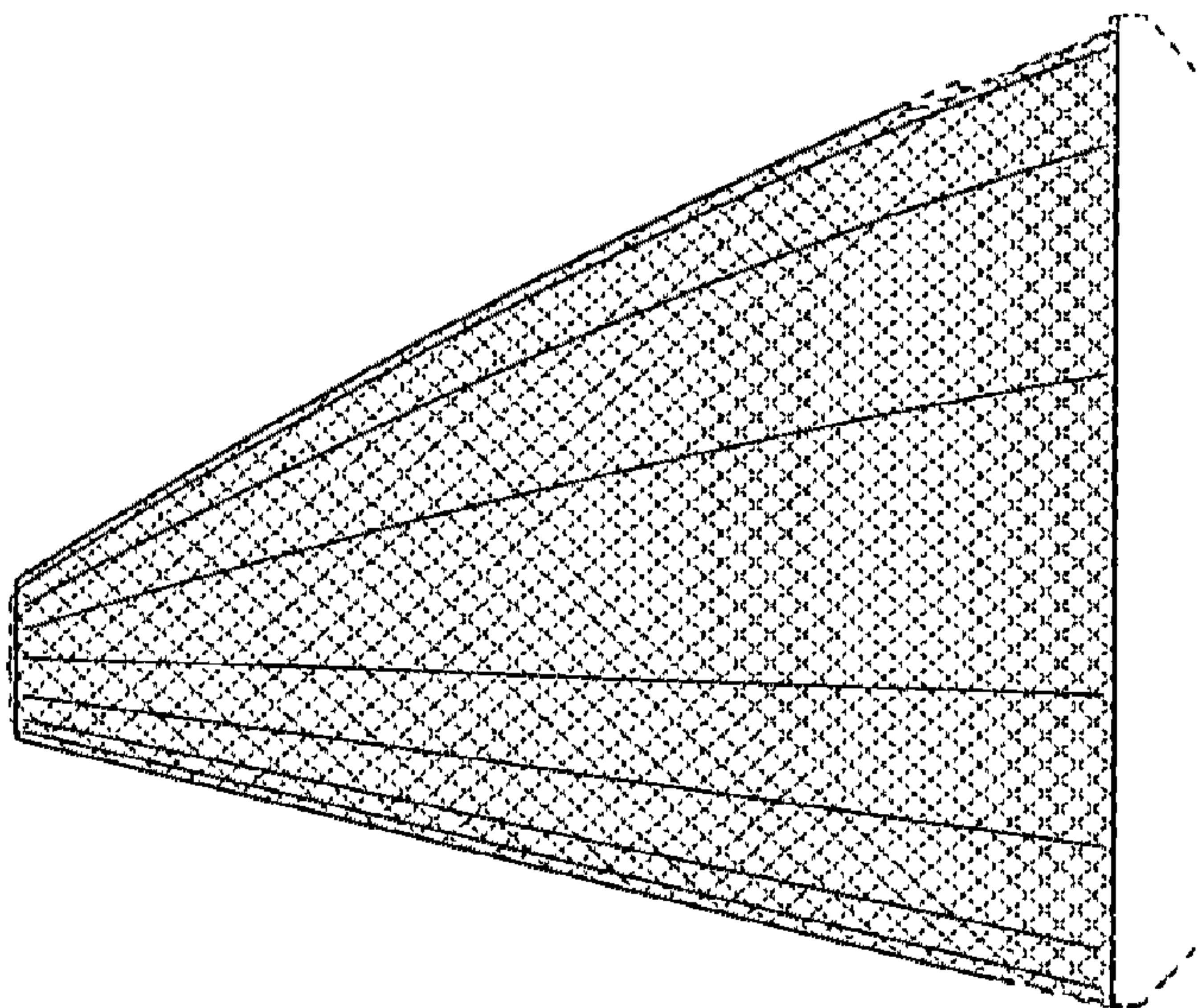


FIG.4

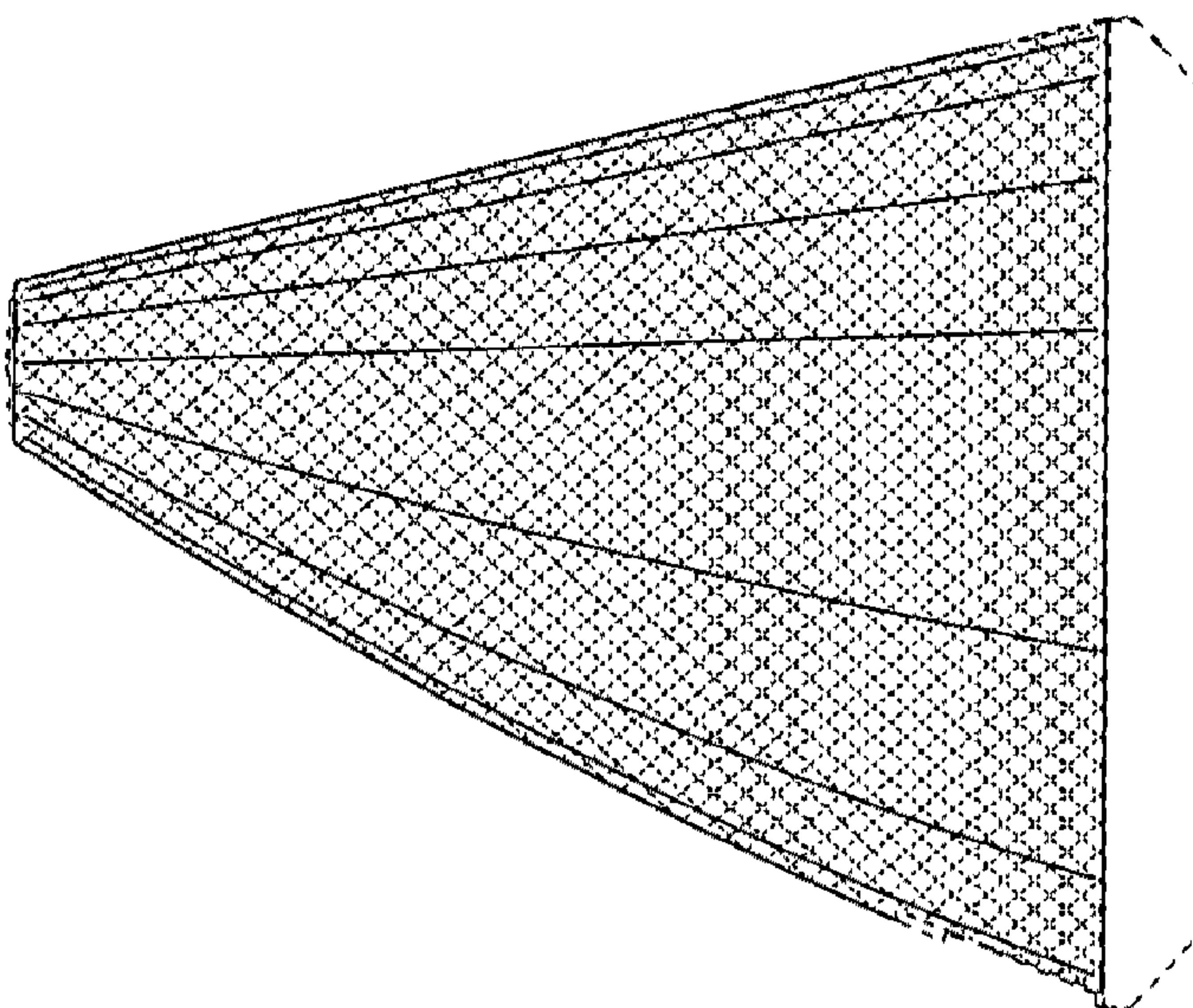


FIG.6

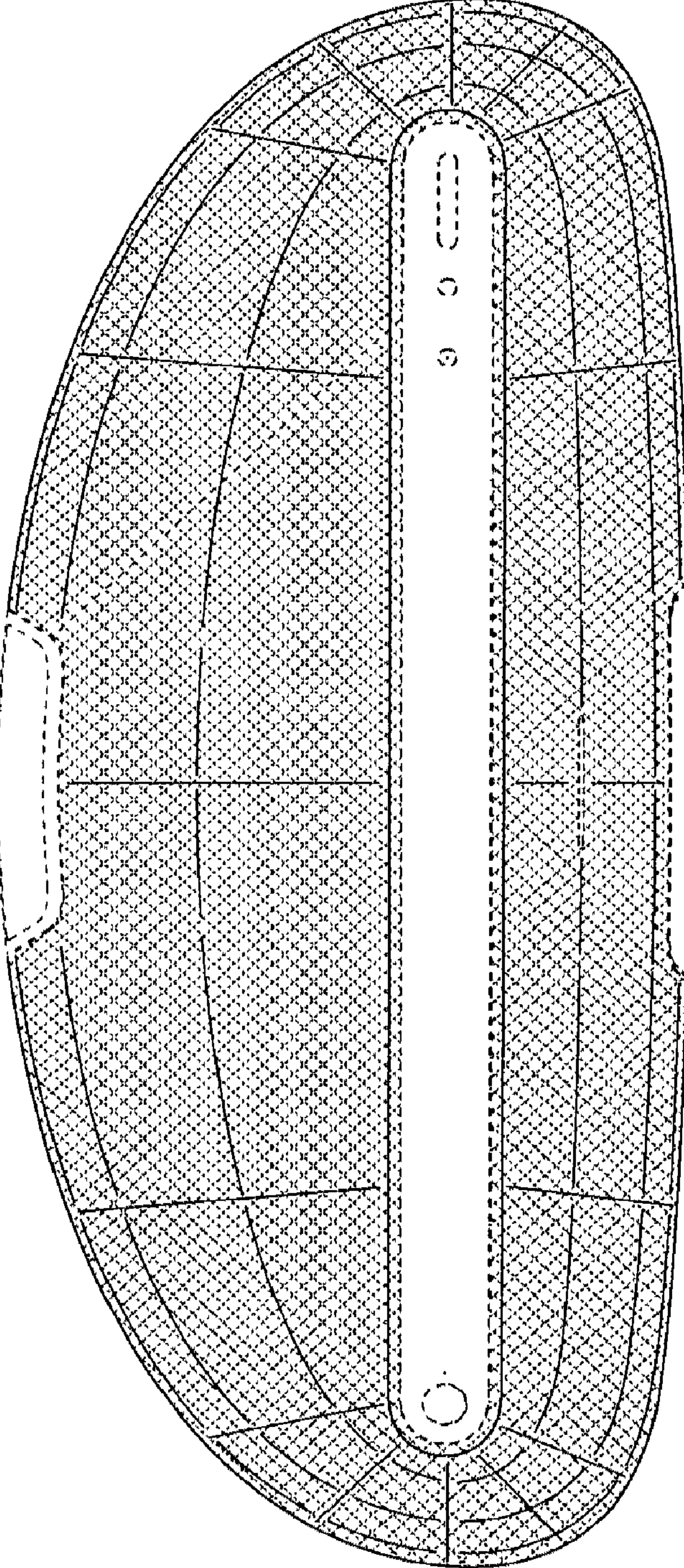


FIG.7

