



US00D673524S

(12) **United States Design Patent**
Brennwald

(10) **Patent No.:** **US D673,524 S**
(45) **Date of Patent:** **** Jan. 1, 2013**

(54) **MONOAUURAL HEADSET**

(75) Inventor: **Jörg Brennwald**, Kiel (DE)

(73) Assignee: **Sennheiser Communications A/S**,
Solrod Strand (DK)

(**) Term: **14 Years**

(21) Appl. No.: **29/407,631**

(22) Filed: **Nov. 30, 2011**

(30) **Foreign Application Priority Data**

Jun. 1, 2011 (EM) 001871583-0002

(51) **LOC (9) Cl.** **14-01**

(52) **U.S. Cl.** **D14/206**

(58) **Field of Classification Search** D14/205,
D14/206, 223, 142, 188, 192, 249, 225, 226;
181/129, 130, 135; 379/430, 431; 381/380,
381/381; D29/112, 122; 455/90.3, 575.1
See application file for complete search history.

(56) **References Cited**

U.S. PATENT DOCUMENTS

4,689,822	A *	8/1987	Houng	381/379
D327,265	S *	6/1992	Jasey	D14/206
D377,020	S *	12/1996	Bungardt et al.	D14/205
D394,437	S *	5/1998	Landreth et al.	D14/206
D410,921	S *	6/1999	Luchs et al.	D14/142
D436,348	S *	1/2001	McGugan	D14/142
6,560,346	B2 *	5/2003	Ohta et al.	381/382
D482,019	S *	11/2003	Petersen et al.	D14/206
D494,154	S *	8/2004	Polito	D14/206
D514,086	S *	1/2006	Skulley	D14/206

D517,528	S *	3/2006	Skulley	D14/206
D518,479	S *	4/2006	Skulley	D14/225
D530,307	S *	10/2006	Rath	D14/206
D535,286	S	1/2007	Brennwald		
D535,975	S	1/2007	Brennwald		
D535,980	S *	1/2007	Bentley et al.	D14/225
D538,785	S *	3/2007	Skulley	D14/206
D540,778	S *	4/2007	Thompson et al.	D14/206
D551,165	S *	9/2007	Albano et al.	D13/110
D584,719	S	1/2009	Brennwald		
D601,543	S *	10/2009	Bentley	D14/206
D614,172	S	4/2010	Brennwald		
D628,189	S *	11/2010	Rath	D14/206
D638,000	S *	5/2011	Hoggarth	D14/206
D640,232	S	6/2011	Brandis		
D641,337	S	7/2011	Brandis		
D645,023	S	9/2011	Brandis		

* cited by examiner

Primary Examiner — Paula Greene

(74) *Attorney, Agent, or Firm* — Birch, Stewart, Kolasch & Birch, LLP

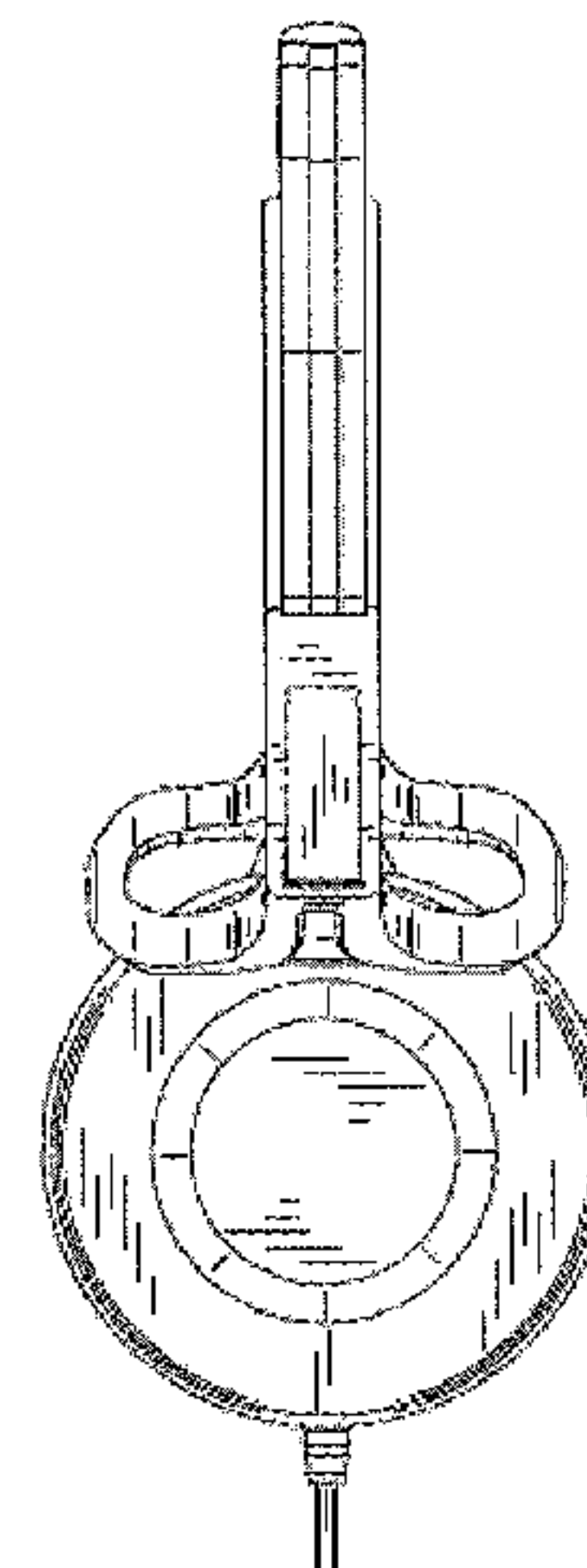
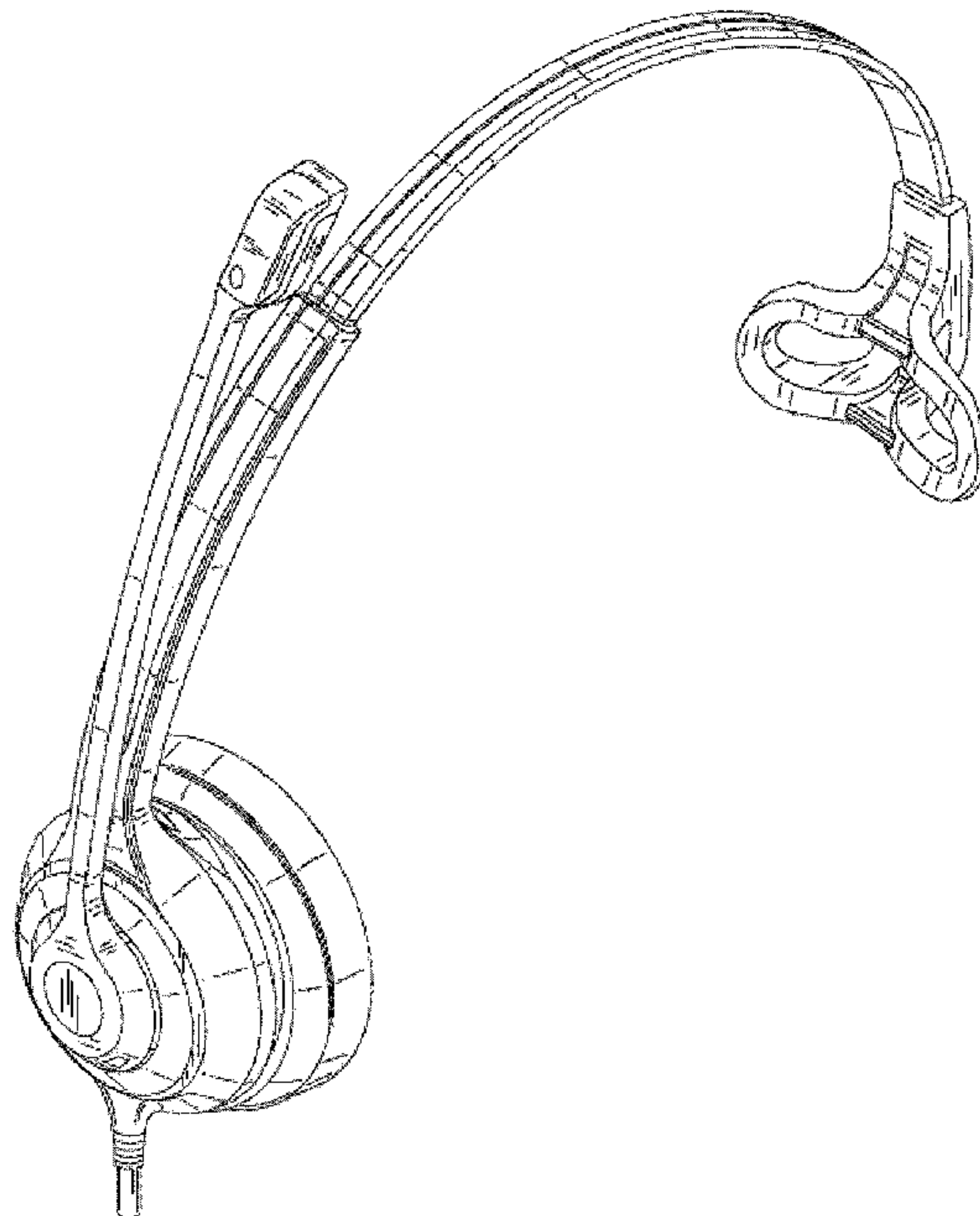
(57) **CLAIM**

The ornamental design for a monoaural headset, as substantially shown and described.

DESCRIPTION

FIG. 1 is a perspective view of the monoaural headset; FIG. 2 is a front view of the monoaural headset; FIG. 3 is a rear view of the monoaural headset; FIG. 4 is a right side view of the monoaural headset; FIG. 5 is a left side view of the monoaural headset; FIG. 6 is a bottom view of the monoaural headset; and, FIG. 7 is a top view of the monoaural headset.

1 Claim, 7 Drawing Sheets



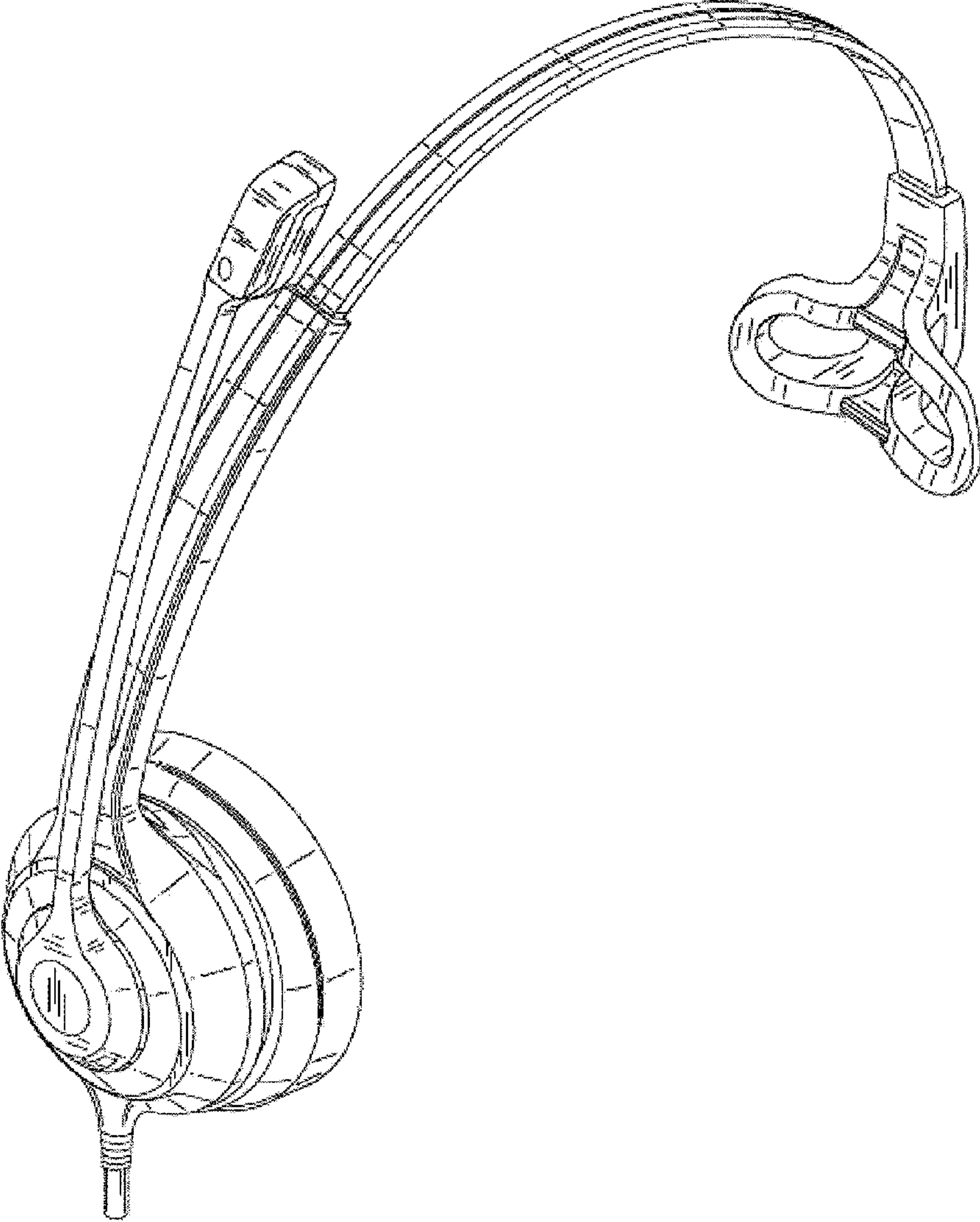


FIG. 1

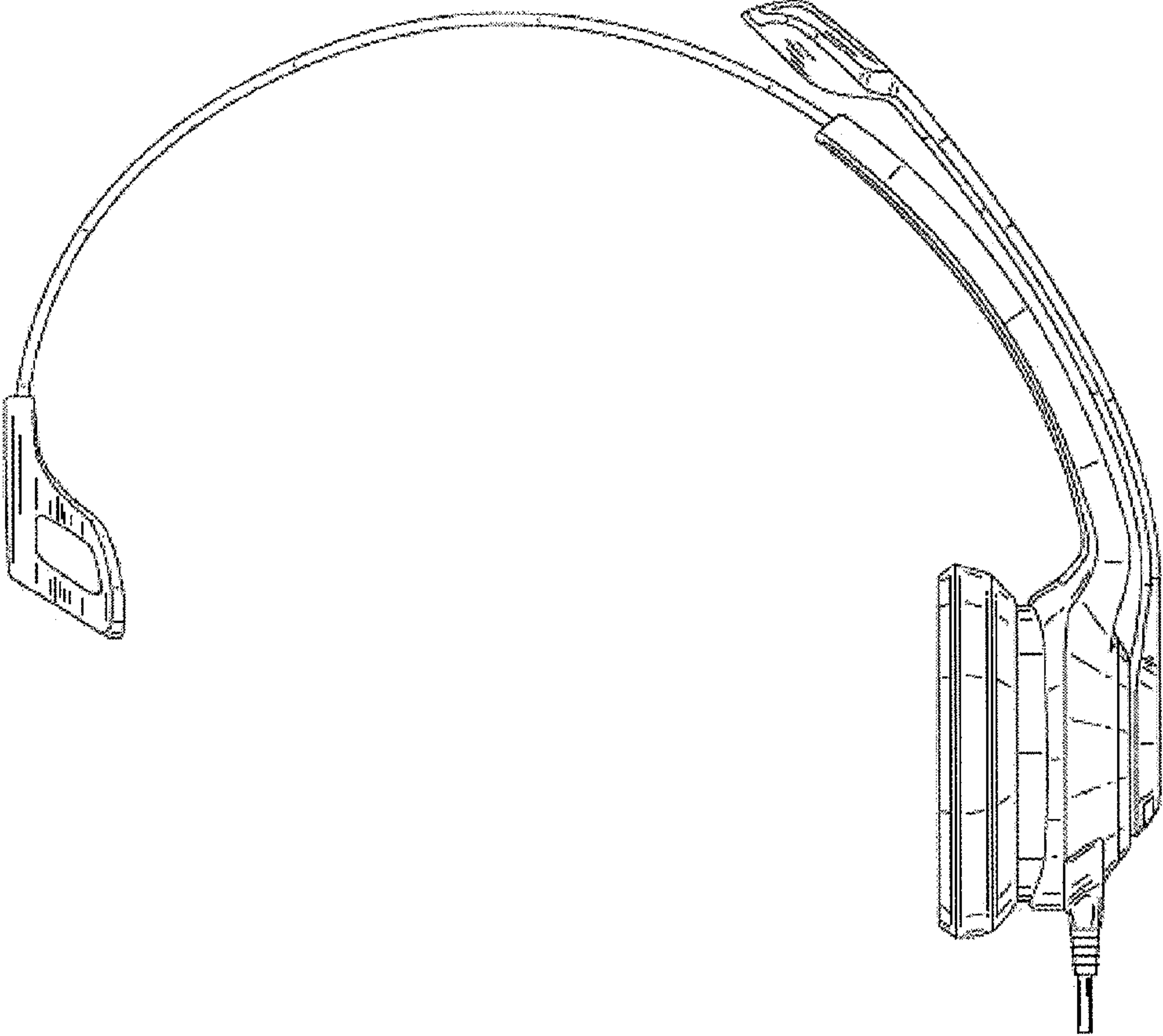


FIG. 2

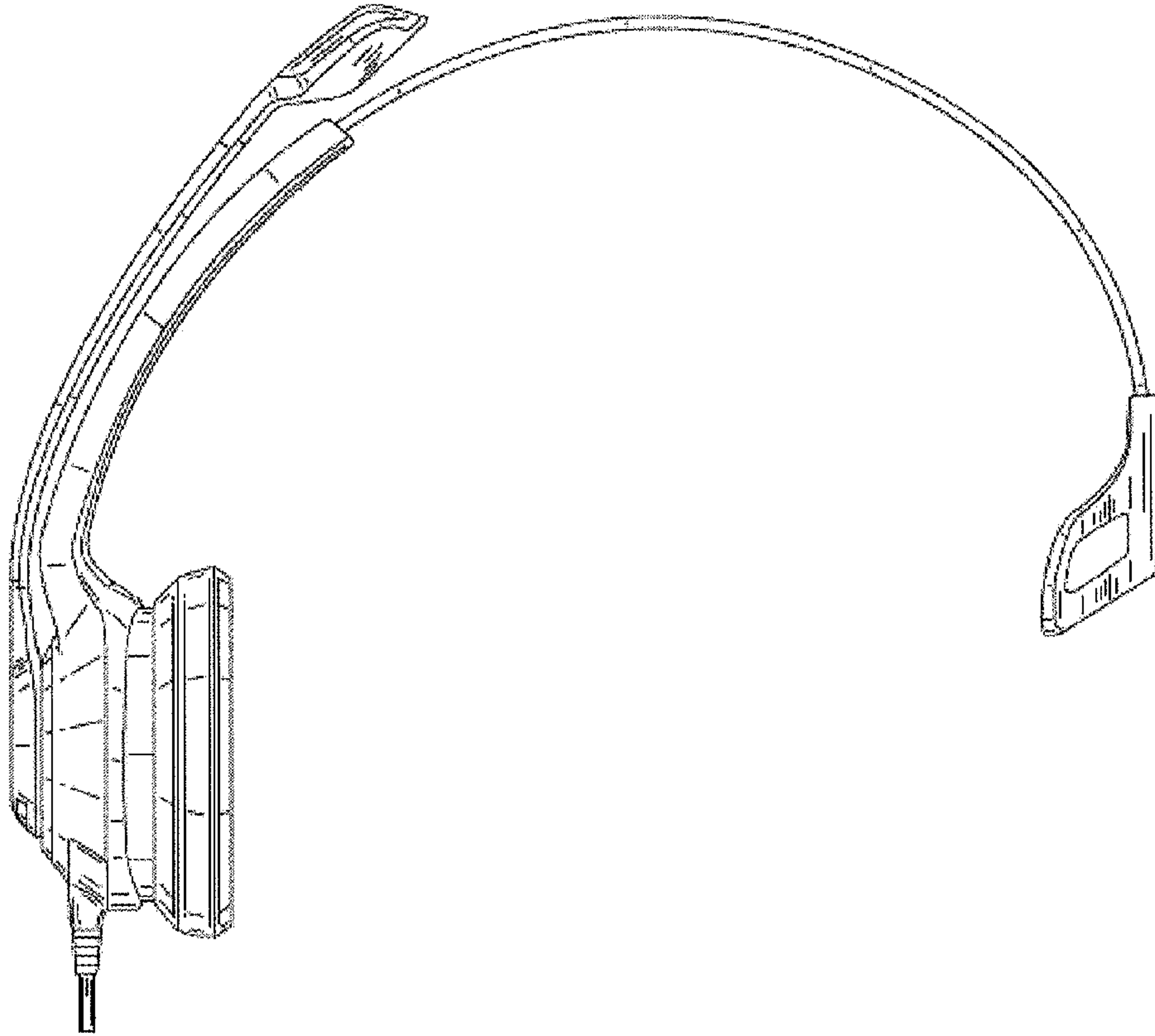


FIG. 3

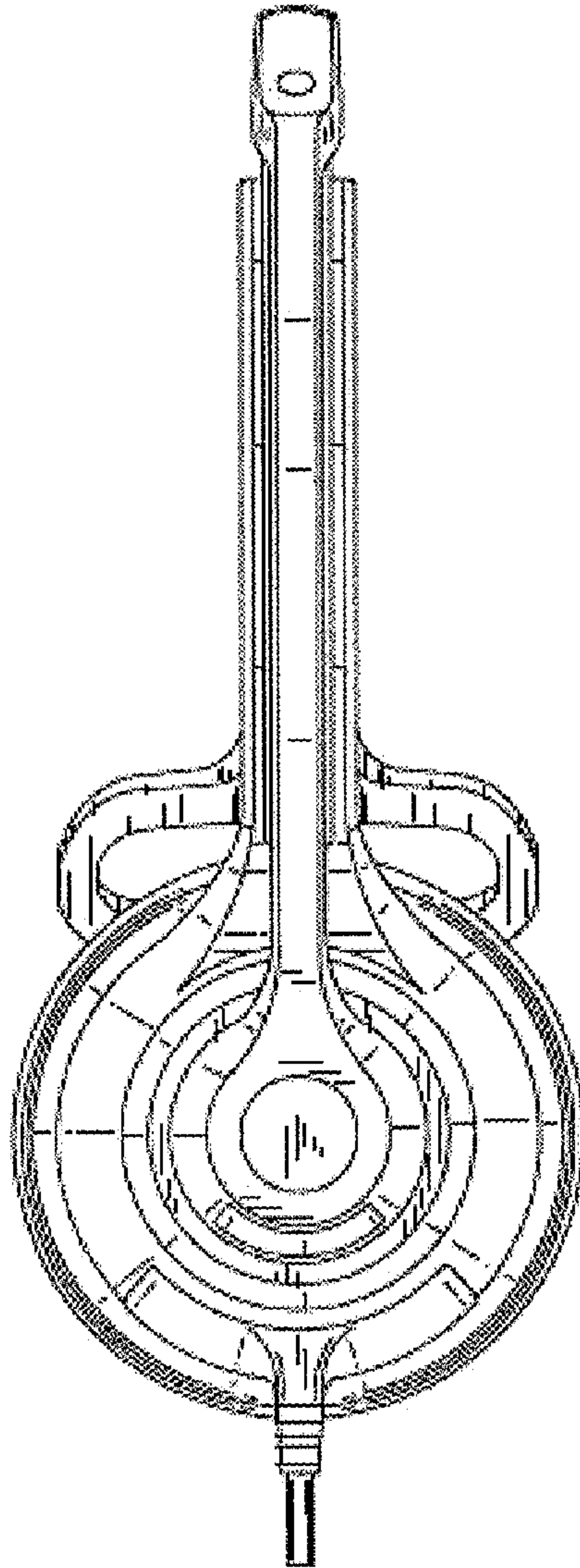


FIG. 4

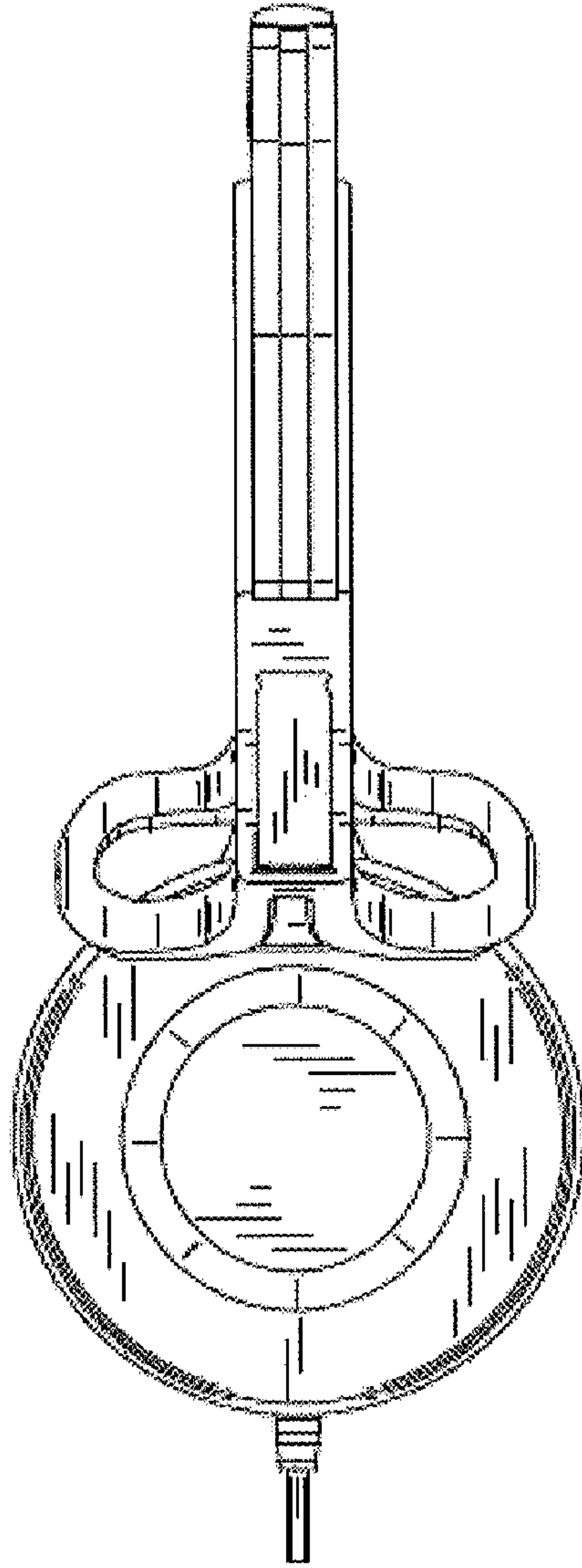


FIG. 5

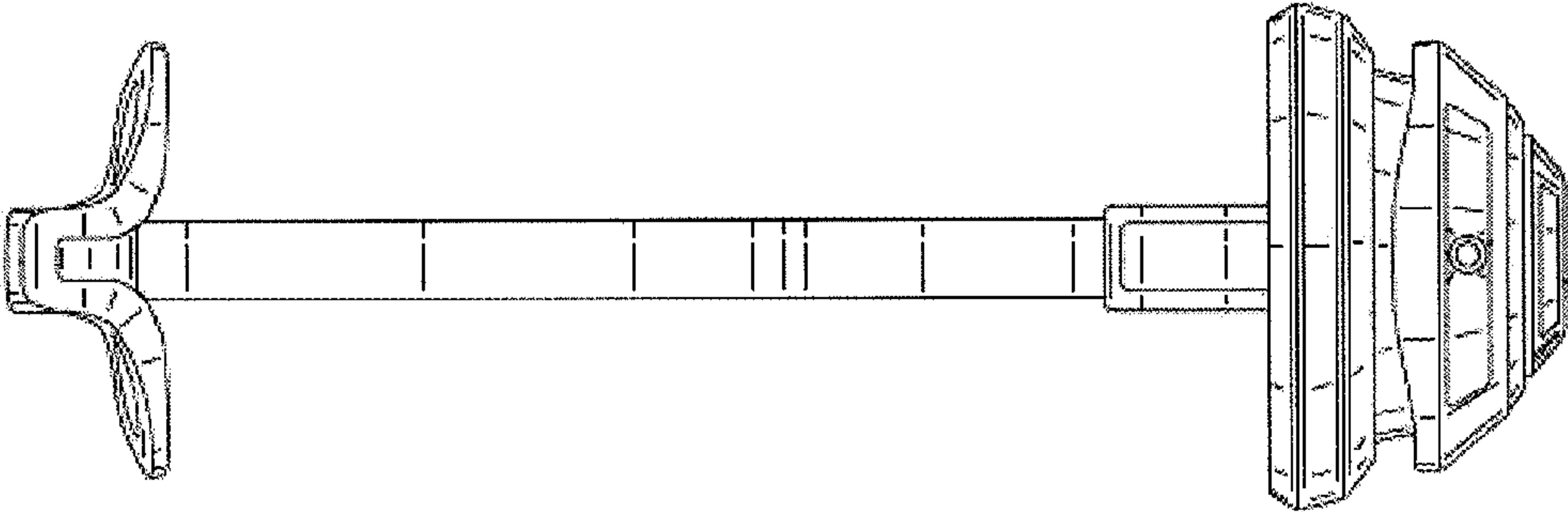


FIG. 6

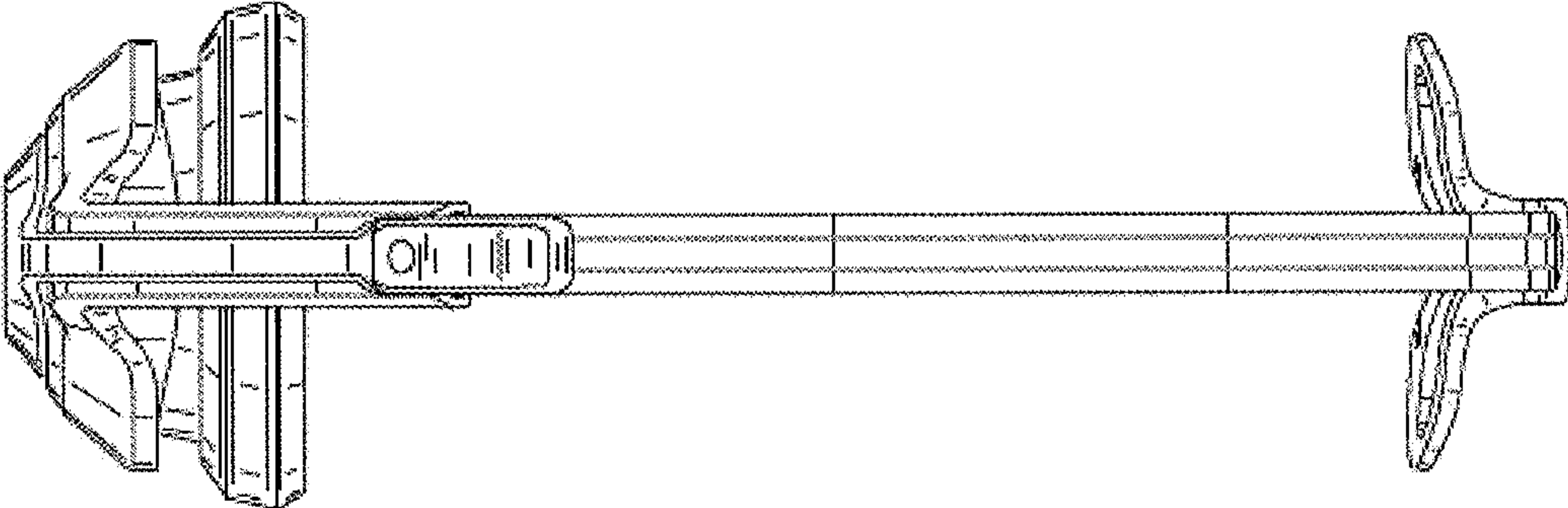


FIG. 7