



US00D673523S

(12) **United States Design Patent**
Brennwald

(10) **Patent No.:** **US D673,523 S**
(45) **Date of Patent:** **** Jan. 1, 2013**

(54) **HEADSET BINAURAL**

(75) Inventor: **Jörg Brennwald**, Kiel (DE)

(73) Assignee: **Sennheiser Communications A/S**,
Solrod Strand (DK)

(**) Term: **14 Years**

(21) Appl. No.: **29/407,629**

(22) Filed: **Nov. 30, 2011**

(30) **Foreign Application Priority Data**

Jun. 1, 2011 (EM) 001871567-0002

(51) **LOC (9) Cl.** **14-01**

(52) **U.S. Cl.** **D14/206**

(58) **Field of Classification Search** D14/205,
D14/206, 223.142, 188, 192, 249, 225, 226;
181/129, 130, 135; 379/430, 431; 381/380,
381/381; 455/90.3, 575.1; 345/7, 8; D29/112,
D29/122

See application file for complete search history.

(56) **References Cited**

U.S. PATENT DOCUMENTS

4,634,816	A *	1/1987	O'Malley et al.	379/430
4,689,822	A *	8/1987	Houng	381/379
5,369,857	A *	12/1994	Sacherman et al.	29/594
5,640,458	A *	6/1997	Nishiguchi et al.	381/74
6,560,346	B2 *	5/2003	Ohta et al.	381/382
D484,485	S *	12/2003	Matsuoka	D14/205

D494,154	S *	8/2004	Polito	D14/206
D518,479	S *	4/2006	Skulley	D14/225
D530,307	S *	10/2006	Rath	D14/206
D535,285	S *	1/2007	Skulley	D14/205
D535,286	S	1/2007	Brennwald		
D535,975	S	1/2007	Brennwald		
D535,980	S *	1/2007	Bentley et al.	D14/225
D584,719	S	1/2009	Brennwald		
D602,001	S *	10/2009	Bentley	D14/206
D614,172	S	4/2010	Brennwald		
D640,232	S	6/2011	Brandis		
D641,337	S	7/2011	Brandis		
D645,023	S *	9/2011	Brandis	D14/206
D652,017	S *	1/2012	Groves et al.	D14/206
D654,472	S *	2/2012	Fischer	D14/206

* cited by examiner

Primary Examiner — Paula Greene

(74) *Attorney, Agent, or Firm* — Birch, Stewart, Kolasch & Birch, LLP

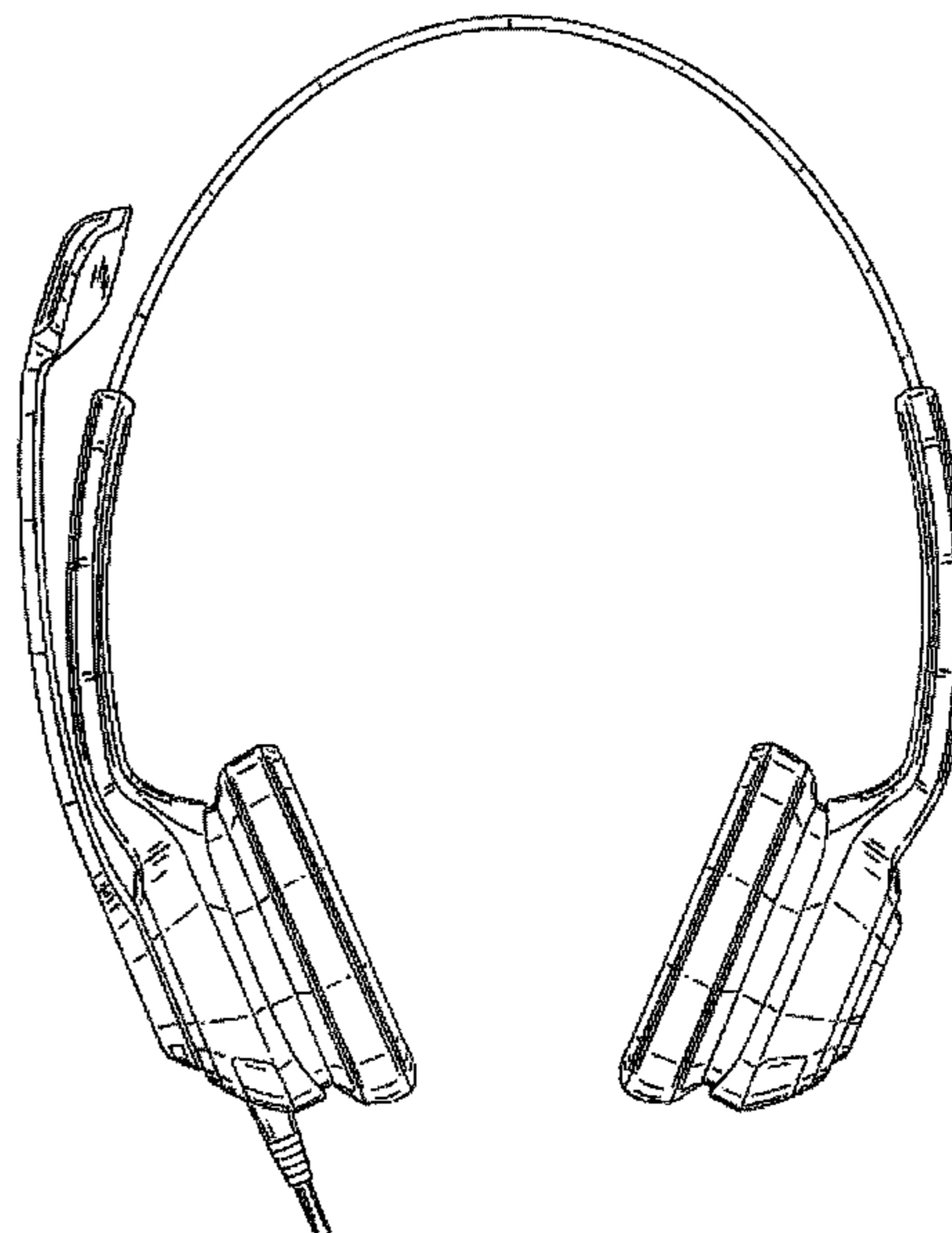
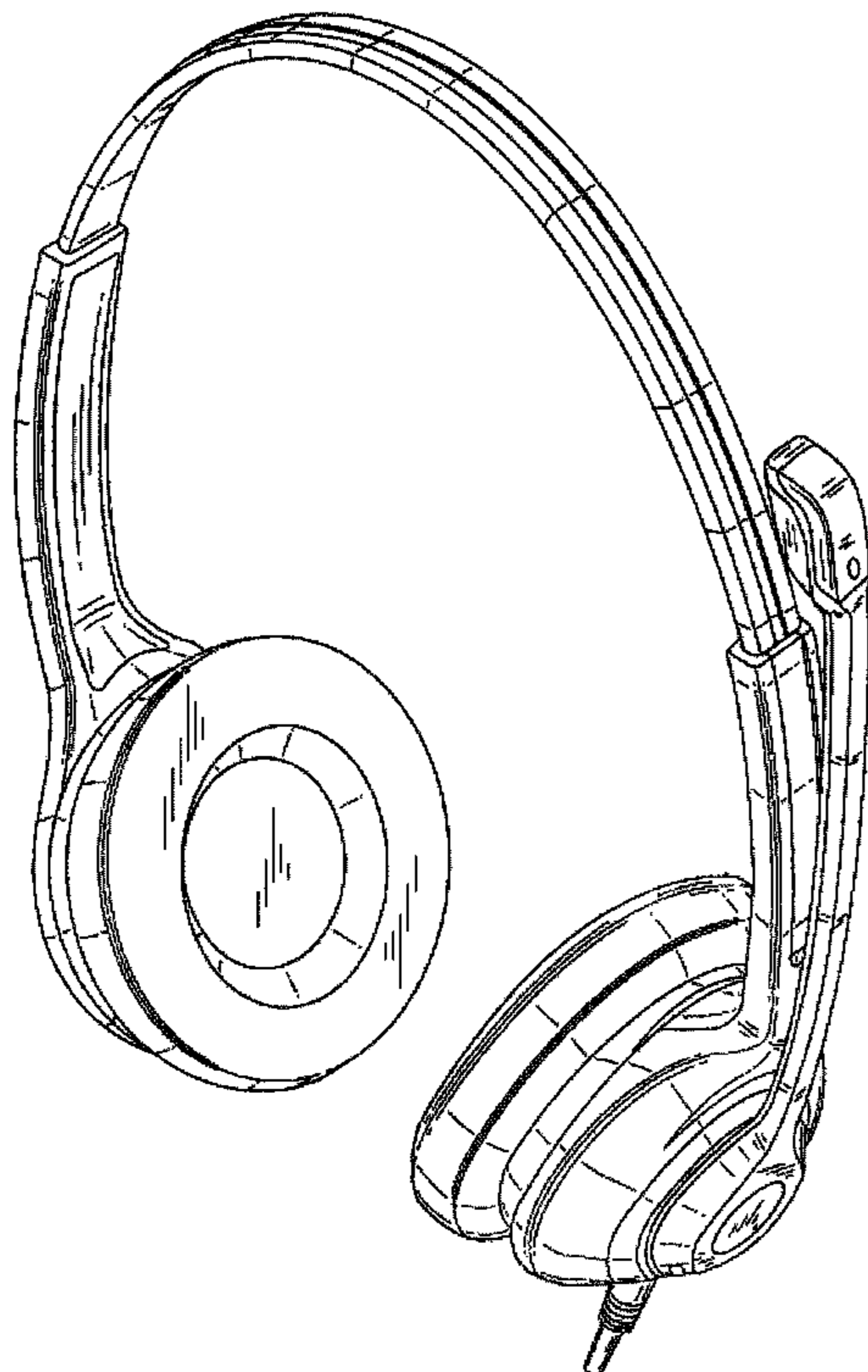
(57) **CLAIM**

The ornamental design for a headset binaural, as substantially shown and described.

DESCRIPTION

FIG. 1 is a perspective view of the headset binaural;
FIG. 2 is a front view of the headset binaural;
FIG. 3 is a rear view of the headset binaural;
FIG. 4 is a right side view of the headset binaural;
FIG. 5 is a left side view of the headset binaural;
FIG. 6 is a top view of the headset binaural; and,
FIG. 7 is a bottom view of the headset binaural.

1 Claim, 7 Drawing Sheets



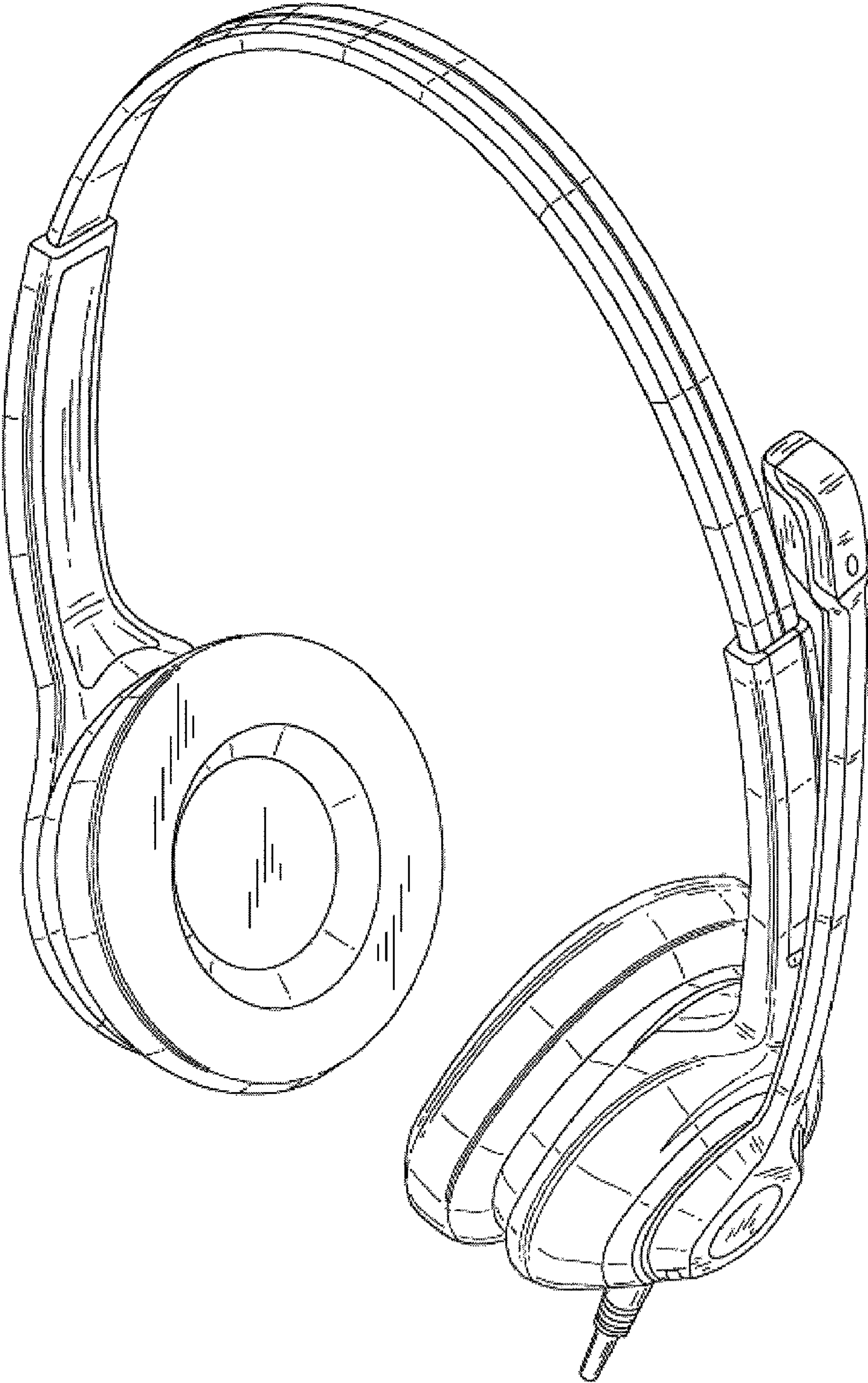


FIG. 1

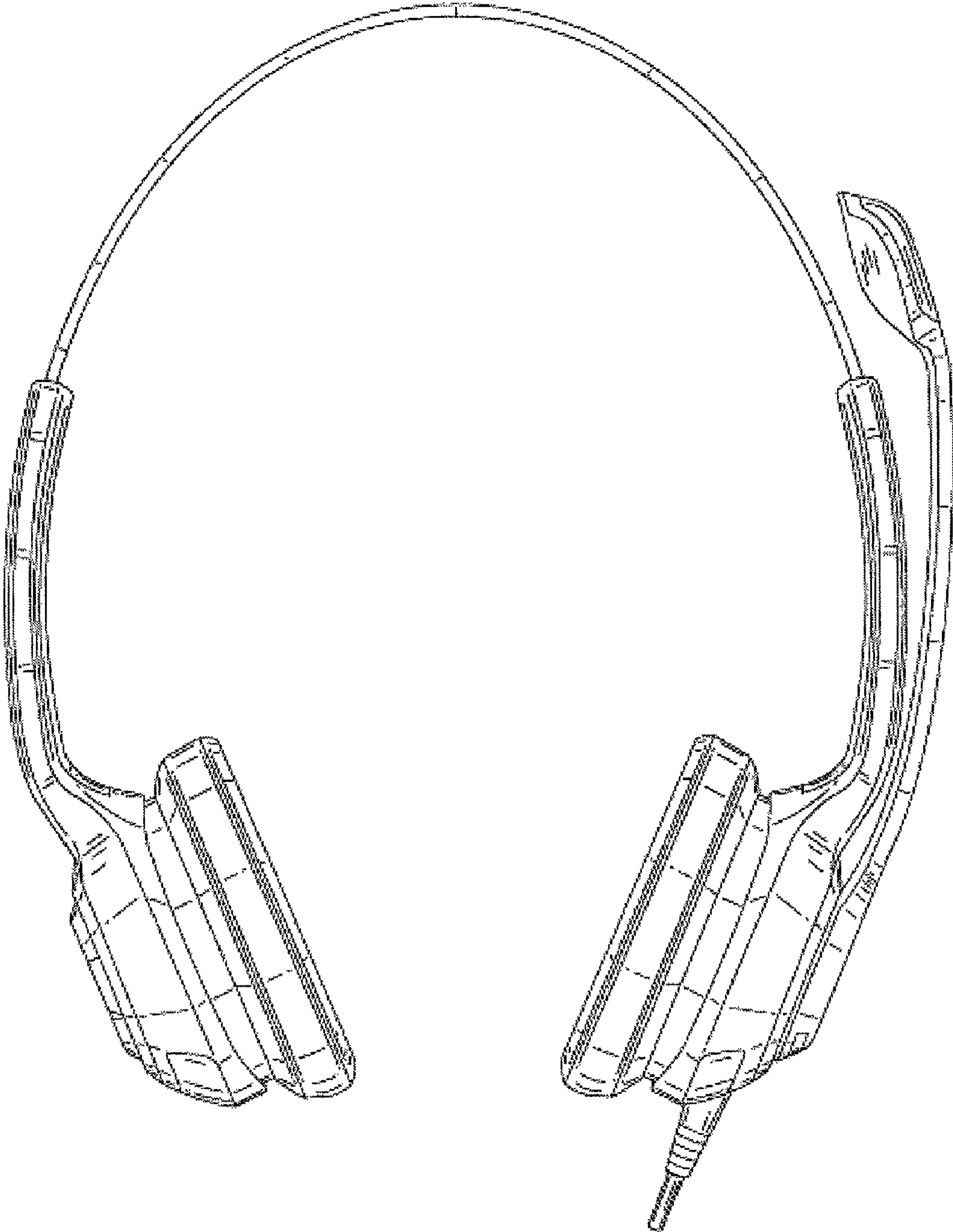


FIG. 2

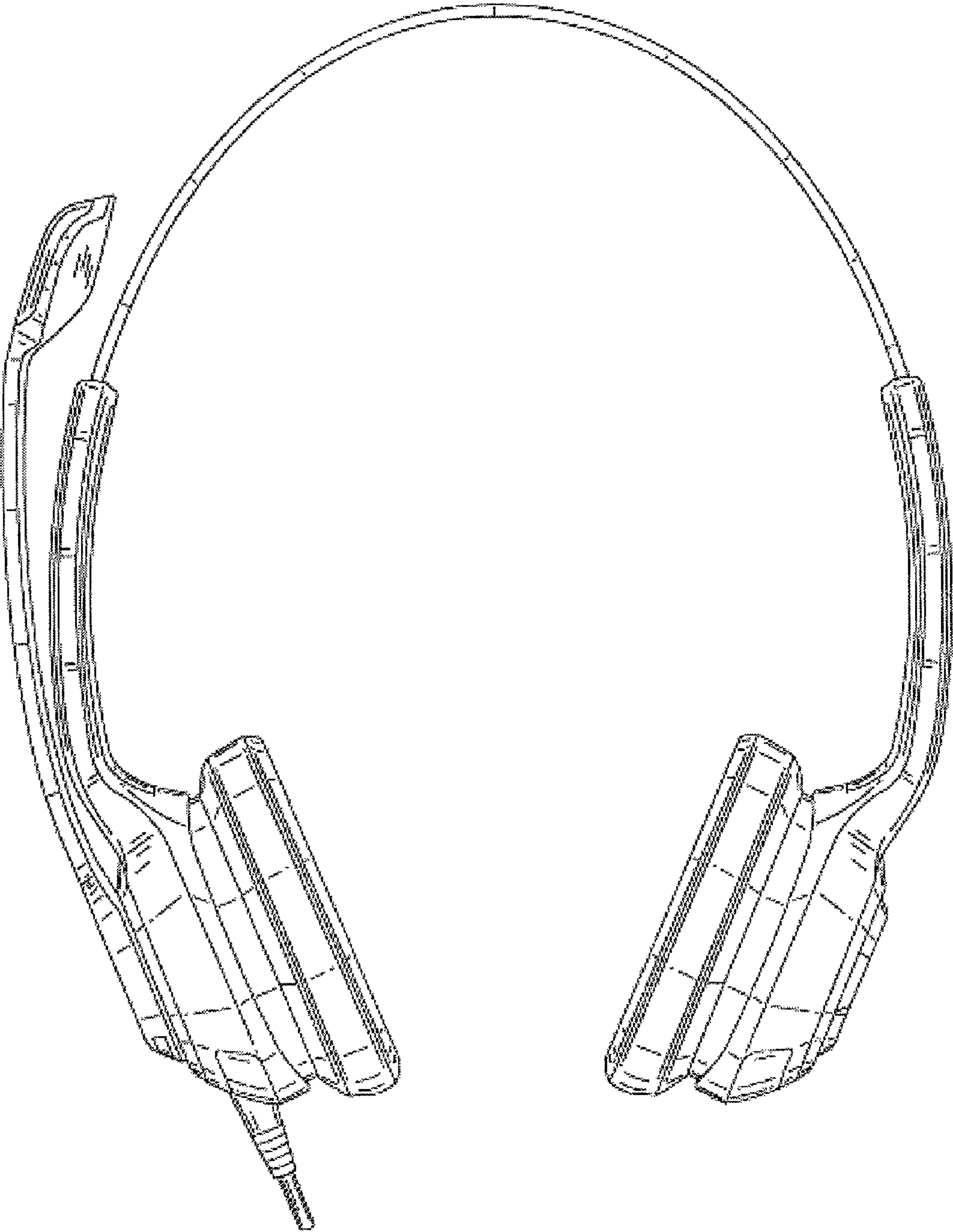


FIG. 3

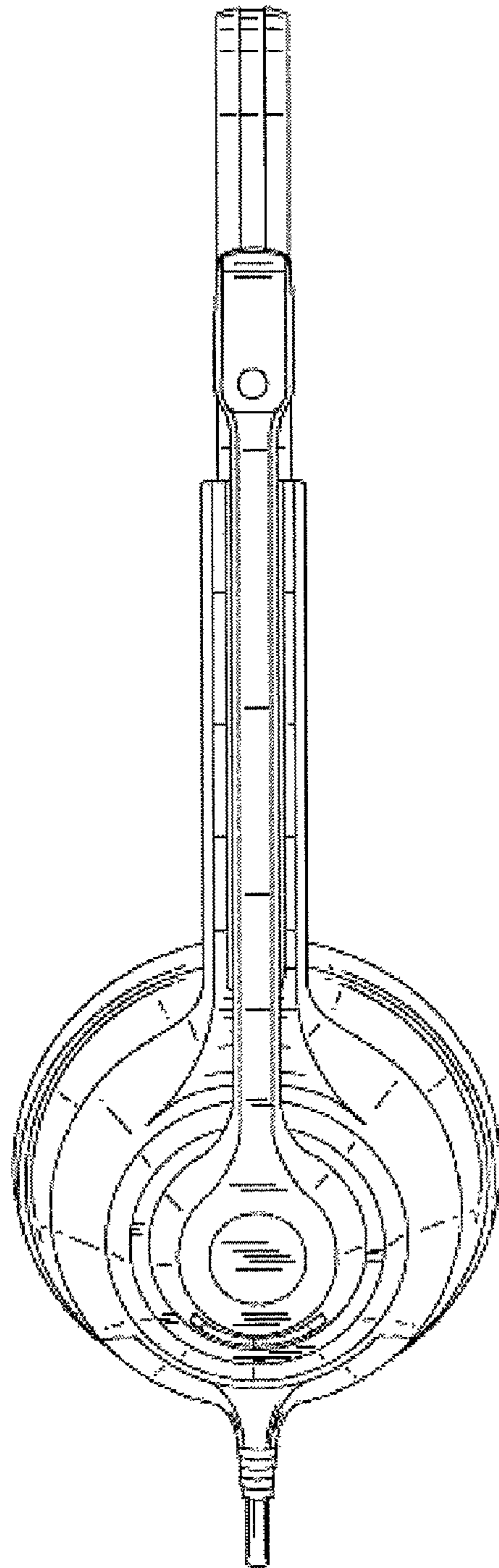


FIG. 4

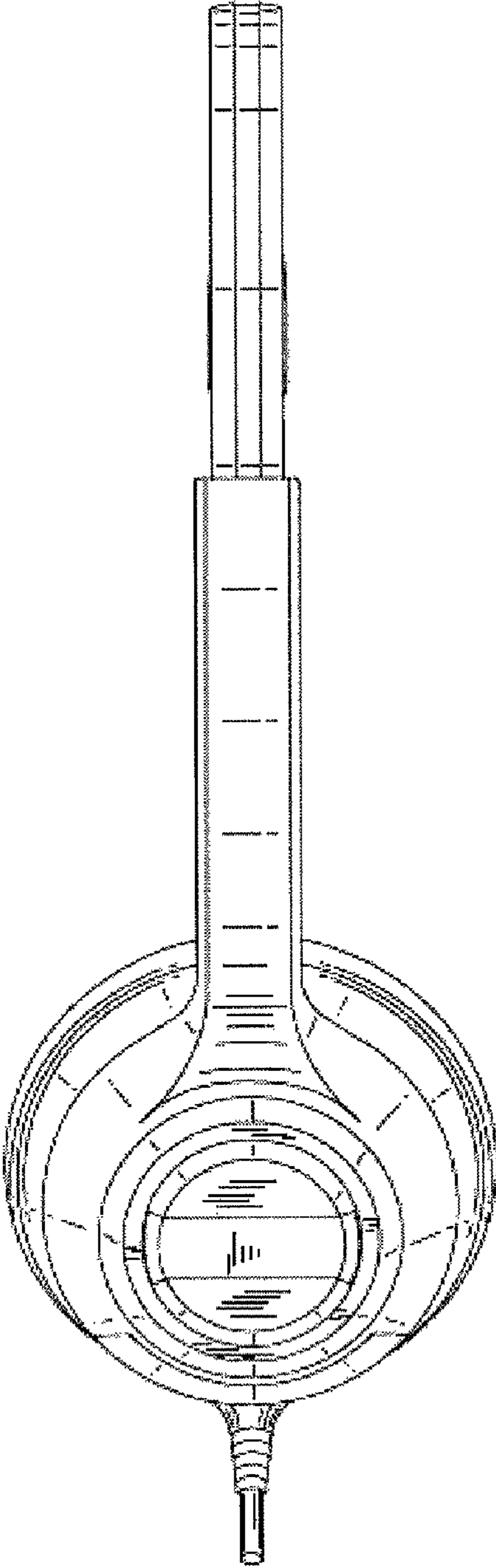


FIG. 5

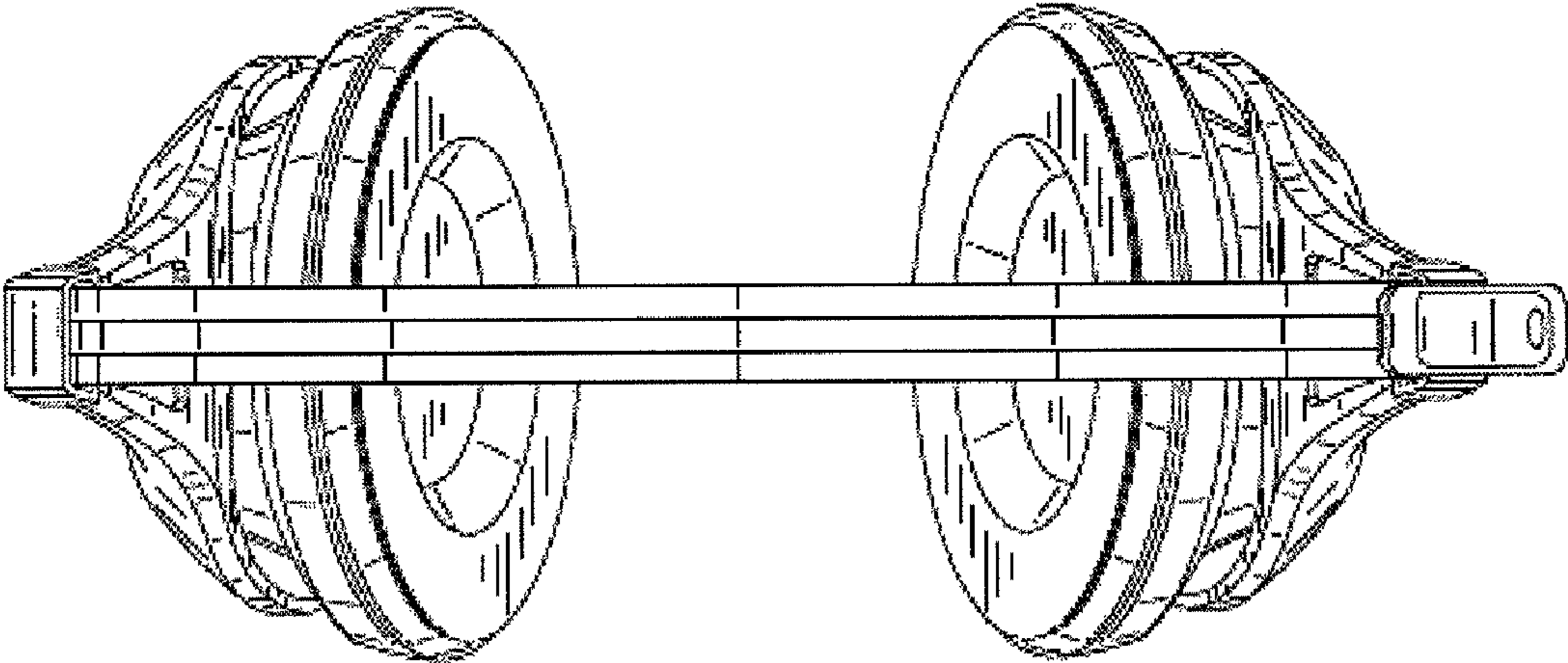


FIG. 6

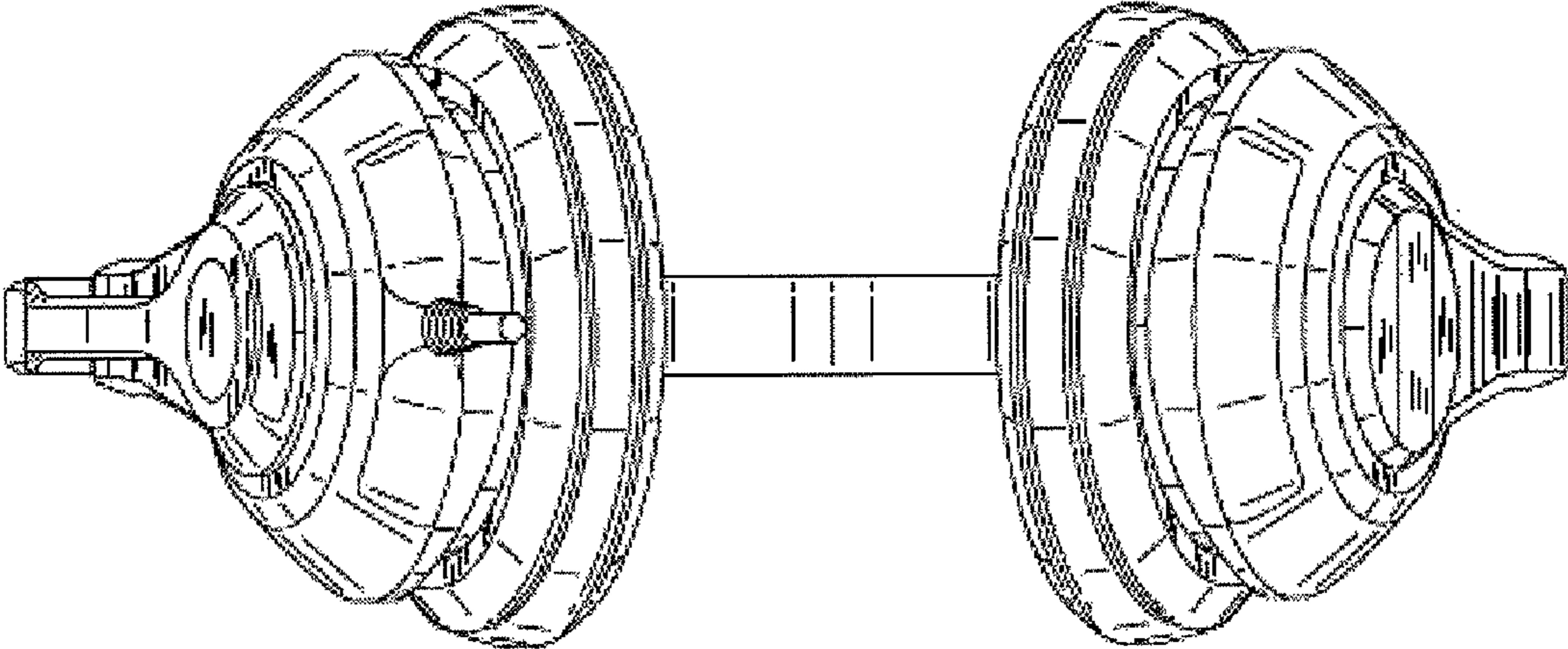


FIG. 7