



US00D673521S

(12) **United States Design Patent**  
**Yoneyama et al.**

(10) **Patent No.:** **US D673,521 S**  
(45) **Date of Patent:** **\*\* Jan. 1, 2013**

(54) **HEADPHONE**

(75) Inventors: **Daisuke Yoneyama**, Tokyo (JP); **Shohei Tokoi**, Kanagawa (JP)

(73) Assignee: **Kabushiki Kaisha Audio-Technica**, Tokyo (JP)

(\*\*) Term: **14 Years**

(21) Appl. No.: **29/410,173**

(22) Filed: **Jan. 5, 2012**

(30) **Foreign Application Priority Data**

Jul. 8, 2011 (JP) ..... 2011-015676

(51) **LOC (9) Cl.** ..... **14-01**

(52) **U.S. Cl.** ..... **D14/205**

(58) **Field of Classification Search** ..... D14/205,  
D14/206; 181/129, 130, 135; 379/430, 431;  
381/380, 381; 455/90.3, 575.2; D29/112;  
2/209

See application file for complete search history.

(56) **References Cited**

**U.S. PATENT DOCUMENTS**

D291,198 S *	8/1987	Bellini .....	D14/205
D328,074 S *	7/1992	Yamazaki et al. ....	D14/205
D347,845 S *	6/1994	Sumikawa .....	D14/205
D394,062 S *	5/1998	Chun .....	D14/192
D405,449 S *	2/1999	Nakamura et al. ....	D14/205
D431,550 S *	10/2000	Yoneda .....	D14/205
6,629,579 B1 *	10/2003	Hasegawa .....	181/129
D504,414 S *	4/2005	Yoshida .....	D14/192

D510,335 S *	10/2005	Suzuki .....	D14/205
7,172,052 B2 *	2/2007	Lenhard-Backhaus .....	181/129
D538,261 S *	3/2007	Taylor et al. ....	D14/205
D540,302 S *	4/2007	Hagiwara et al. ....	D14/205
D549,688 S *	8/2007	Suzuki .....	D14/205
D573,581 S *	7/2008	Gondo et al. ....	D14/205
D591,263 S *	4/2009	Shimizu .....	D14/205
D593,995 S *	6/2009	Shimizu .....	D14/205
D597,070 S *	7/2009	Zheng .....	D14/205
D600,674 S *	9/2009	Brennwald .....	D14/205
D603,370 S *	11/2009	Suzuki .....	D14/205
D625,705 S *	10/2010	Ohuri et al. ....	D14/205
D632,668 S *	2/2011	Brunner et al. ....	D14/205
D637,176 S *	5/2011	Brunner et al. ....	D14/205
D637,579 S *	5/2011	Hamaura et al. ....	D14/205
D658,156 S *	4/2012	Olodort et al. ....	D14/205
D664,116 S *	7/2012	Hutchieson .....	D14/205

\* cited by examiner

*Primary Examiner* — Paula Greene

(74) *Attorney, Agent, or Firm* — Whitham Curtis  
Christofferson & Cook, PC

(57) **CLAIM**

We claim the ornamental design for the headphone, as shown and described.

**DESCRIPTION**

FIG. 1 is a front elevational view of the headphone;  
FIG. 2 is a rear elevational view of the headphone;  
FIG. 3 is a top plan view of the headphone;  
FIG. 4 is a bottom plan view of the headphone;  
FIG. 5 is a right side elevational view of the headphone;  
FIG. 6 is a left side elevational view of the headphone; and,  
FIG. 7 is a perspective view of the headphone.

**1 Claim, 7 Drawing Sheets**

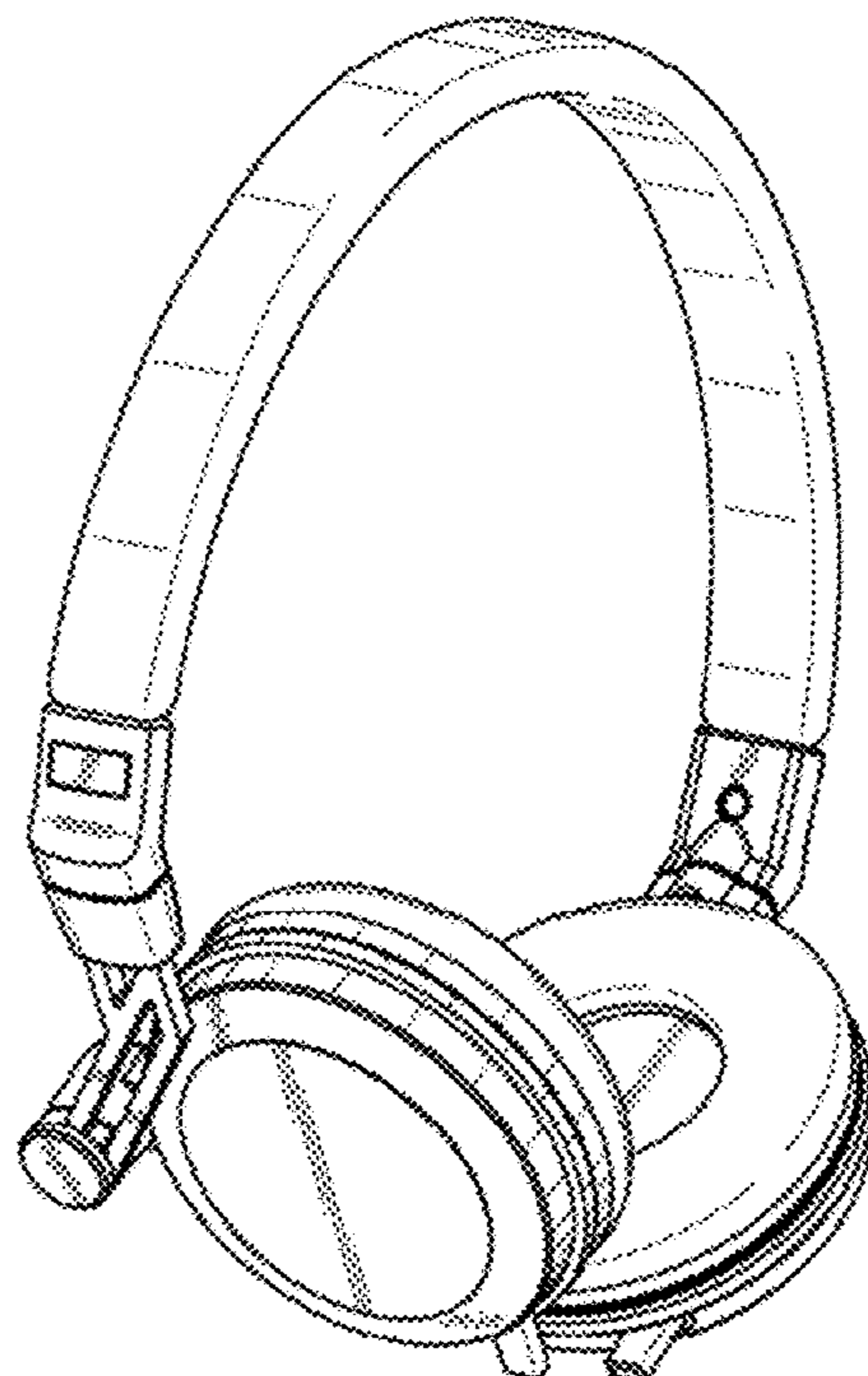


FIGURE 1



FIGURE 2



FIGURE 3

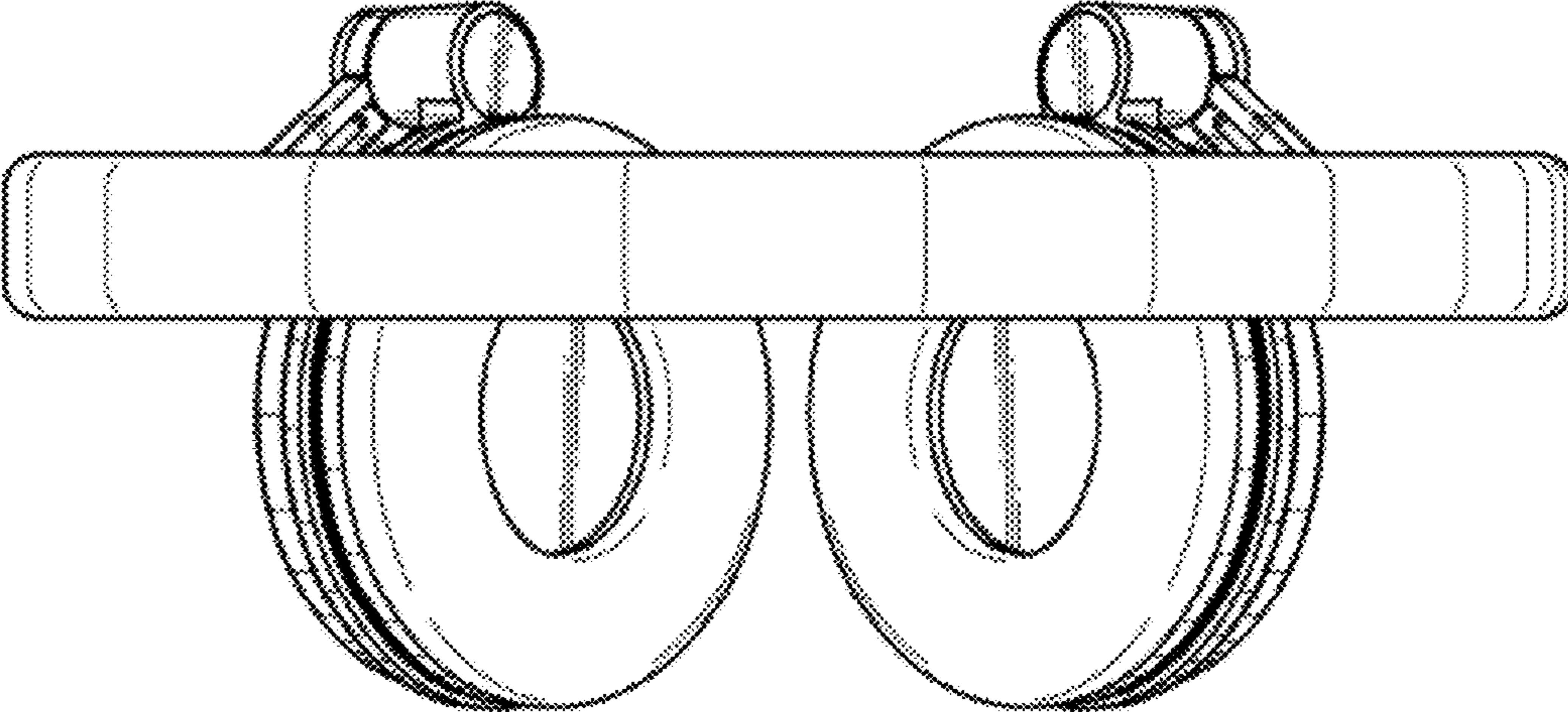


FIGURE 4

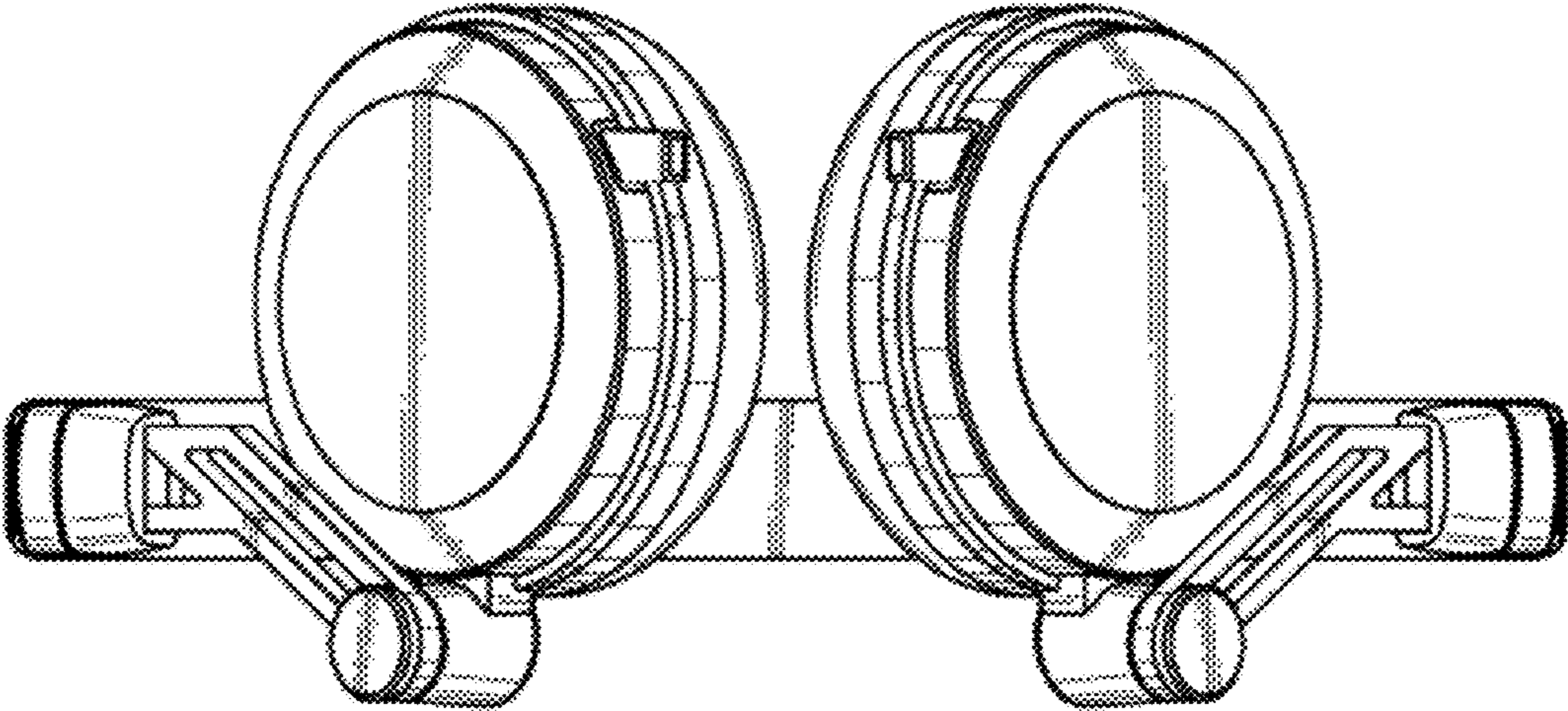


FIGURE 5

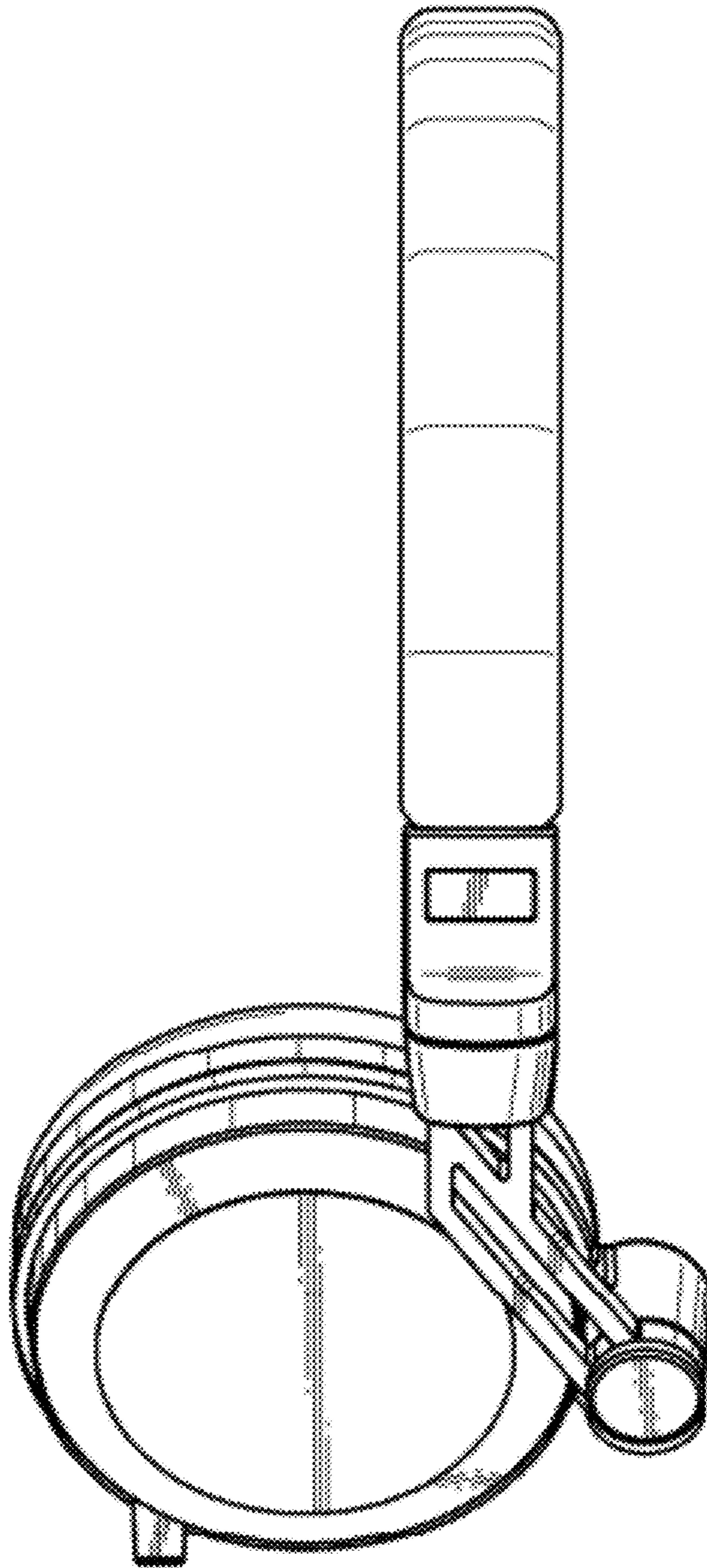


FIGURE 6

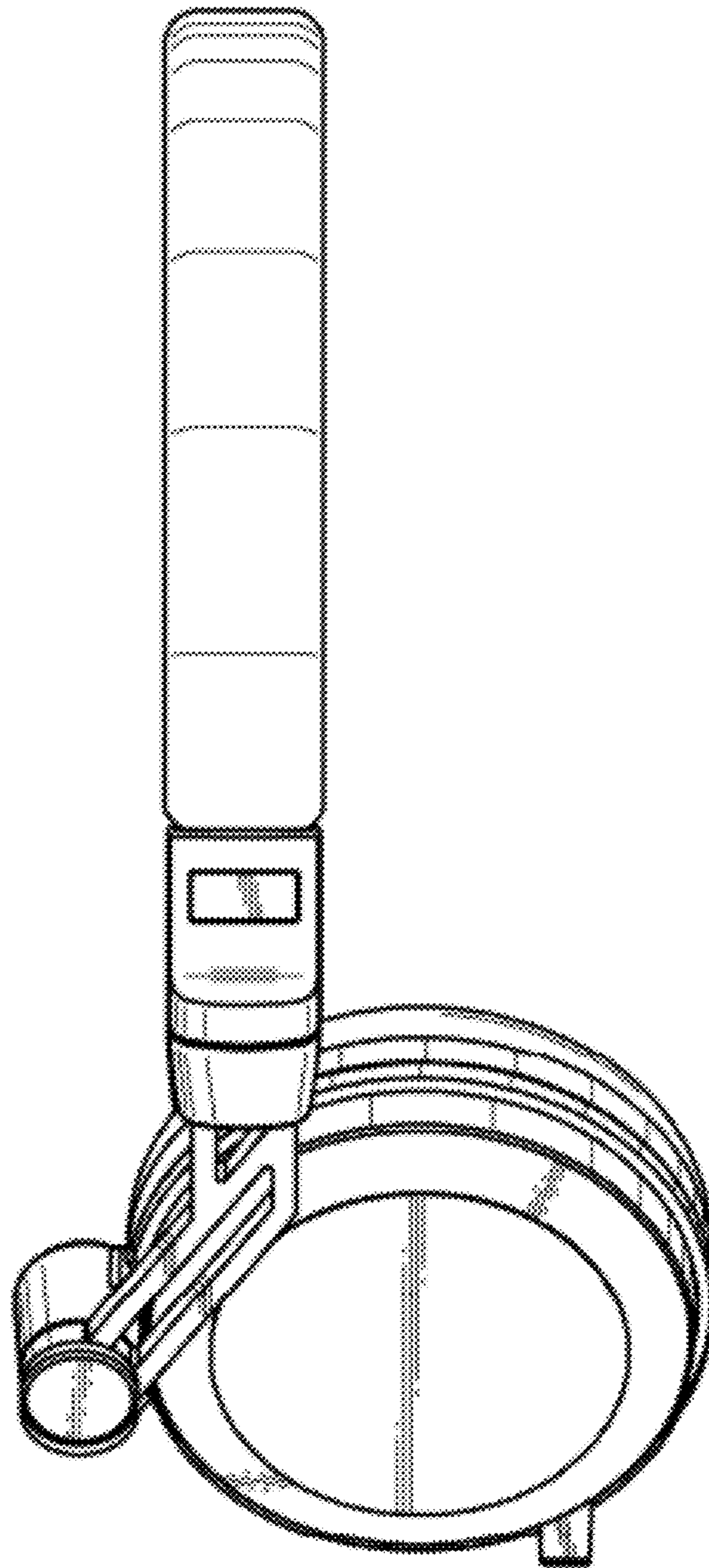


FIGURE 7

