



US00D673519S

(12) **United States Design Patent**  
**Tan**

(10) **Patent No.:** **US D673,519 S**

(45) **Date of Patent:** **\*\* Jan. 1, 2013**

(54) **HEADPHONE**

(75) Inventor: **Chao Tan**, Shenzhen (CN)

(73) Assignee: **Shenzhen Kai Ju Yuan Technology Co. Ltd**, ShenZhen, Guang Dong (CN)

(\*\*) Term: **14 Years**

(21) Appl. No.: **29/401,322**

(22) Filed: **Sep. 9, 2011**

(51) **LOC (9) Cl.** ..... **14-01**

(52) **U.S. Cl.** ..... **D14/205**

(58) **Field of Classification Search** ..... D14/205,  
D14/206, 223; 181/129, 130, 135; 379/430,  
379/431; 381/380, 381, 374; D29/112; 2/209;  
455/90.3, 575.1

See application file for complete search history.

(56) **References Cited**

U.S. PATENT DOCUMENTS

4,821,318	A *	4/1989	Wu	379/430
D338,010	S *	8/1993	Yamatogi	D14/205
D351,172	S *	10/1994	Nakamura et al.	D14/205
D358,389	S *	5/1995	Isono	D14/205
D386,181	S *	11/1997	Fisher	D14/205
D394,062	S *	5/1998	Chun	D14/192
5,793,878	A *	8/1998	Chang	381/370
6,081,604	A *	6/2000	Hikichi et al.	381/371

D430,140	S *	8/2000	Roman	D14/205
D439,574	S *	3/2001	Katayama	D14/203.5
D484,485	S *	12/2003	Matsuoka	D14/205
D549,688	S *	8/2007	Suzuki	D14/205
D552,077	S	10/2007	Brunner et al.	
D563,382	S *	3/2008	Wikel	D14/205
D588,098	S *	3/2009	Kurihara	D14/205
D593,995	S *	6/2009	Shimizu	D14/205
D625,705	S *	10/2010	Ohuri et al.	D14/205
D632,668	S	2/2011	Brunner et al.	
D637,176	S	5/2011	Brunner et al.	

\* cited by examiner

*Primary Examiner* — Paula Greene

(74) *Attorney, Agent, or Firm* — Tim Tingkang Xia

(57) **CLAIM**

The ornamental design of a headphone, as shown and described.

**DESCRIPTION**

FIG. 1 is a front, top and right side perspective view of a headphone showing our new design, the opposite side is a mirror image;

FIG. 2 is a front elevational view thereof;

FIG. 3 is a rear elevational view thereof;

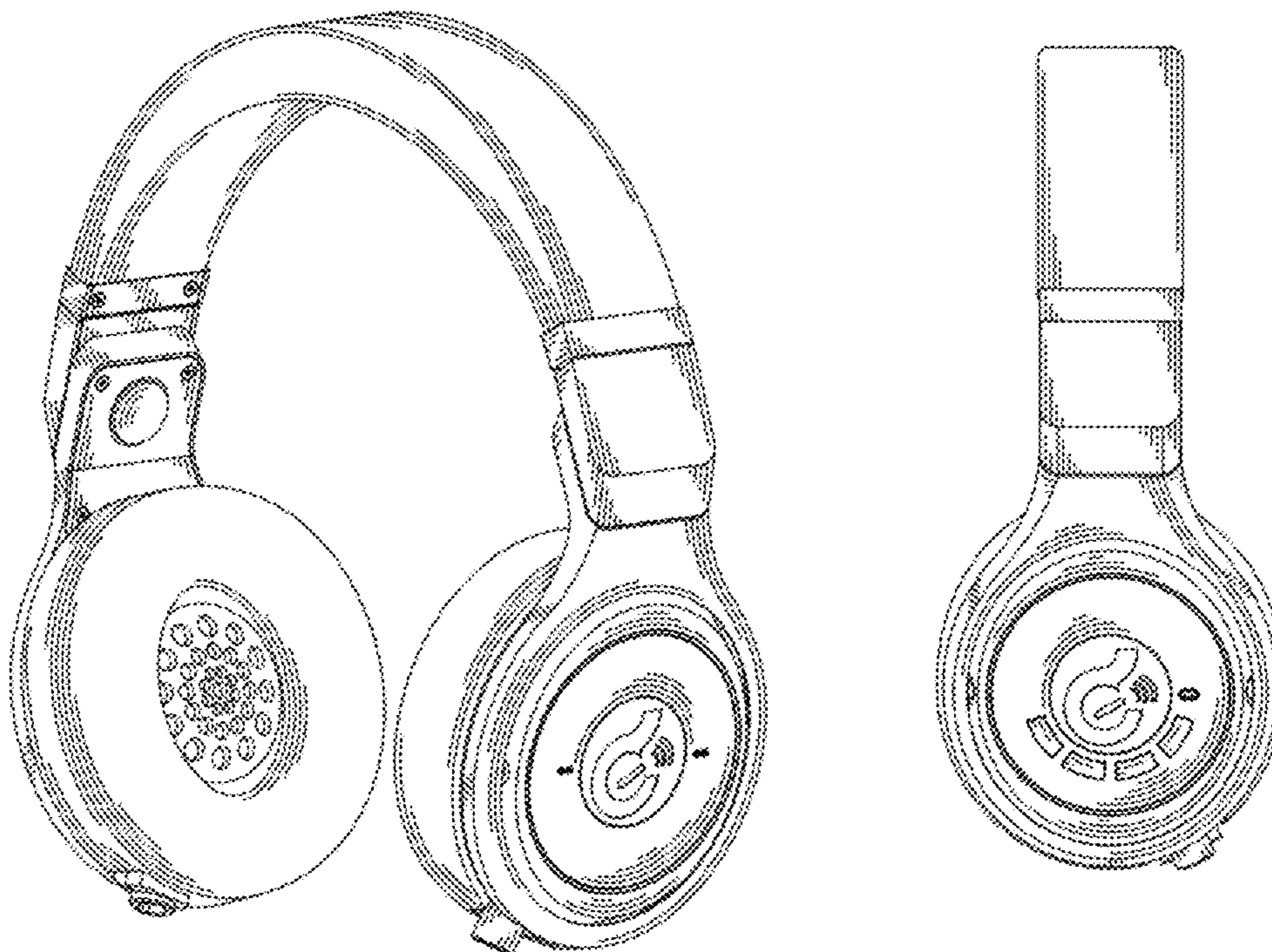
FIG. 4 is a left side elevational view thereof;

FIG. 5 is a right side elevational view thereof;

FIG. 6 is a top plan view thereof; and,

FIG. 7 is a bottom plan view thereof.

**1 Claim, 5 Drawing Sheets**



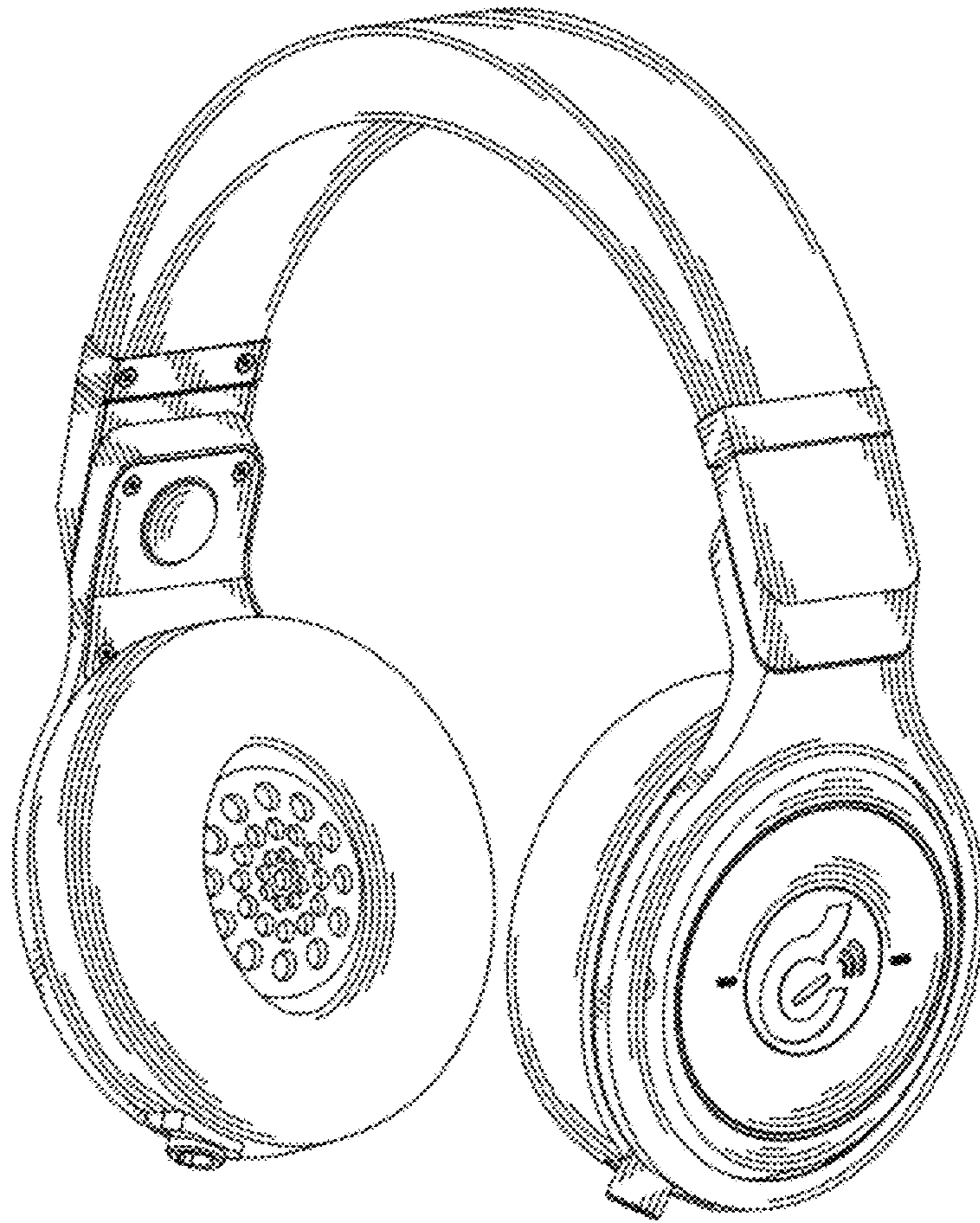


FIG. 1

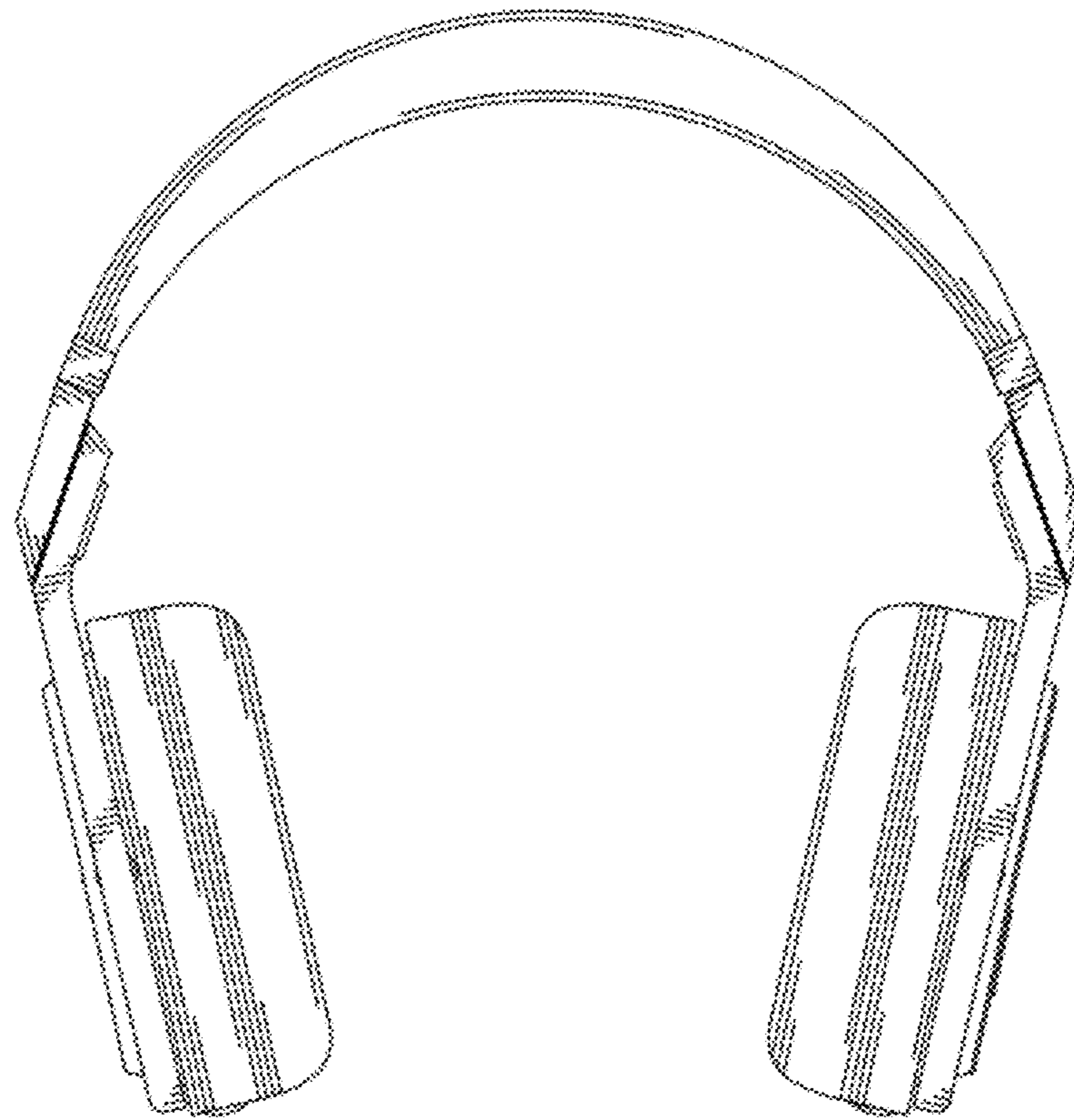


FIG. 2

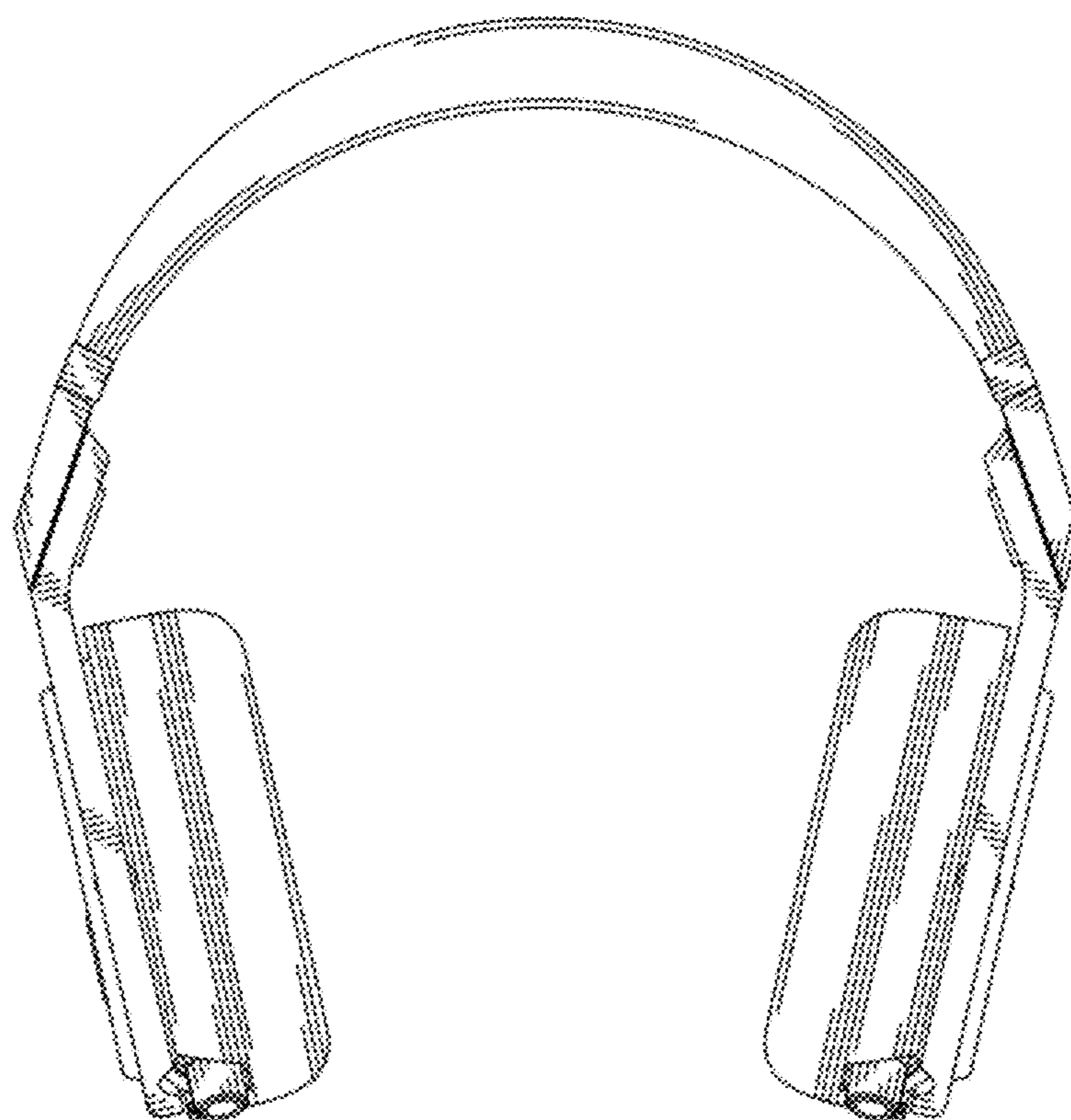


FIG. 3

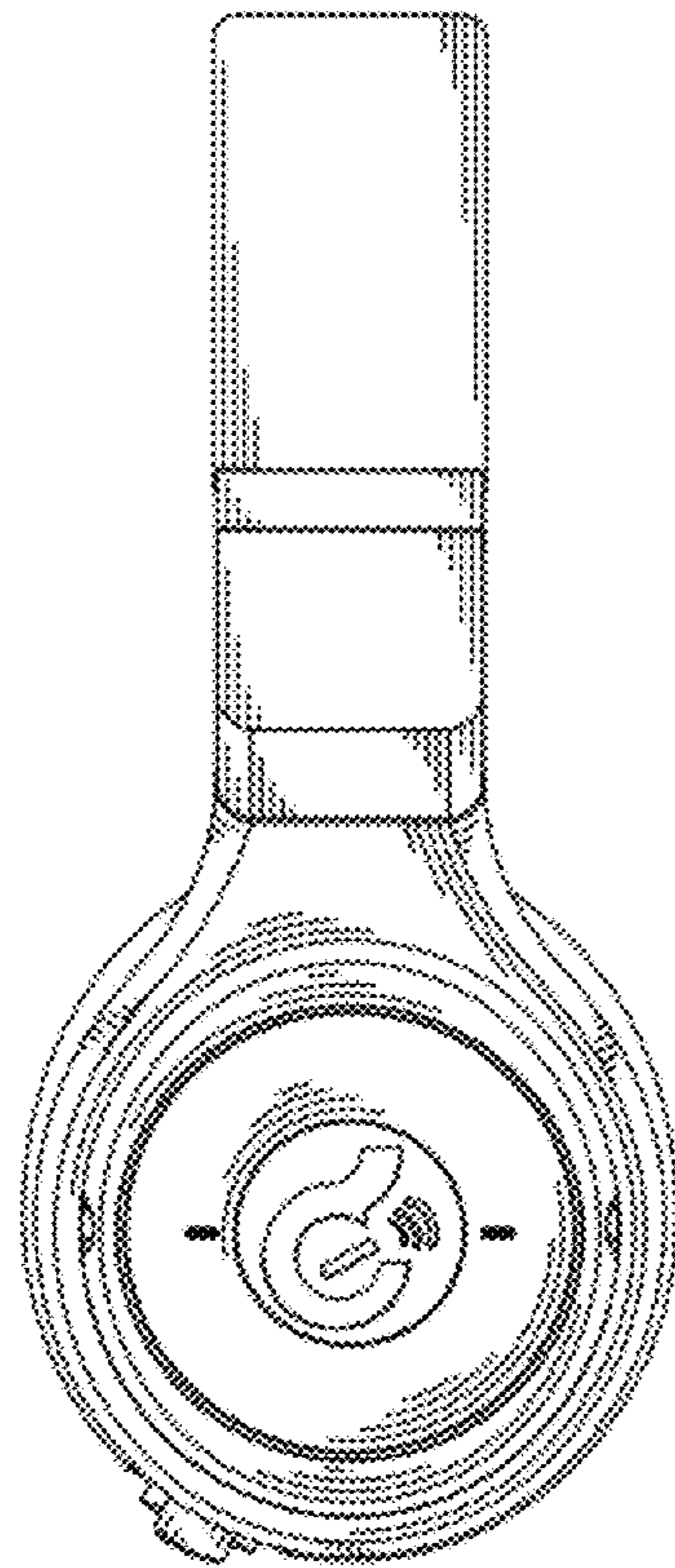


FIG. 4

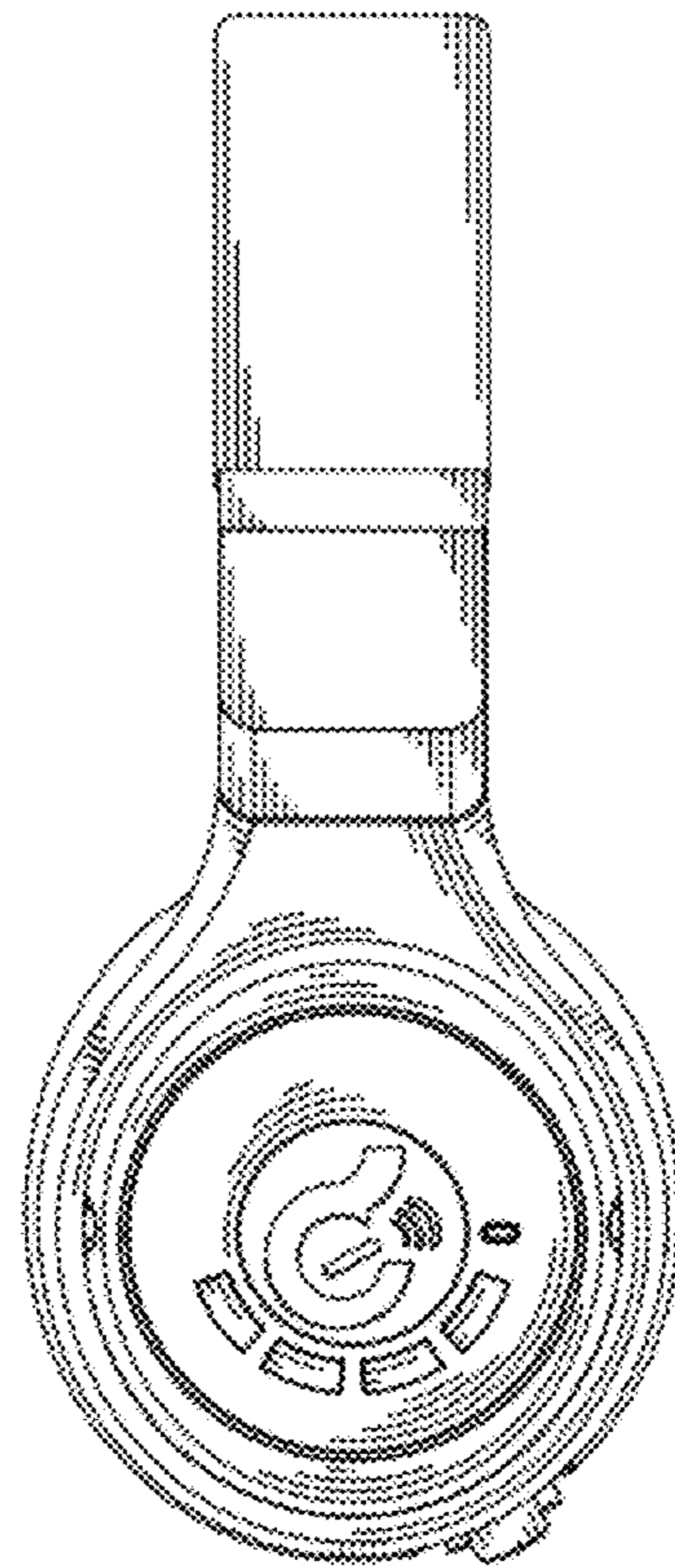


FIG. 5

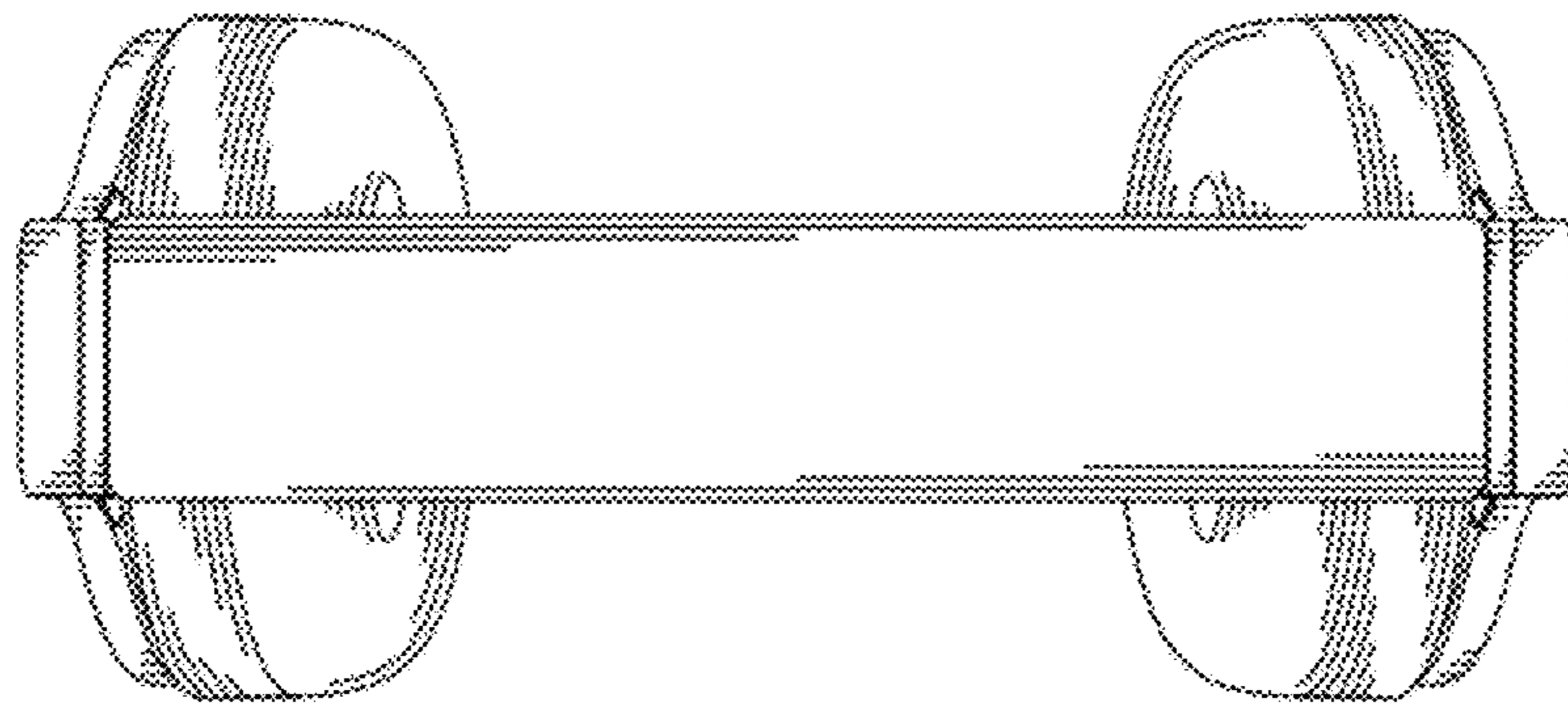


FIG. 6

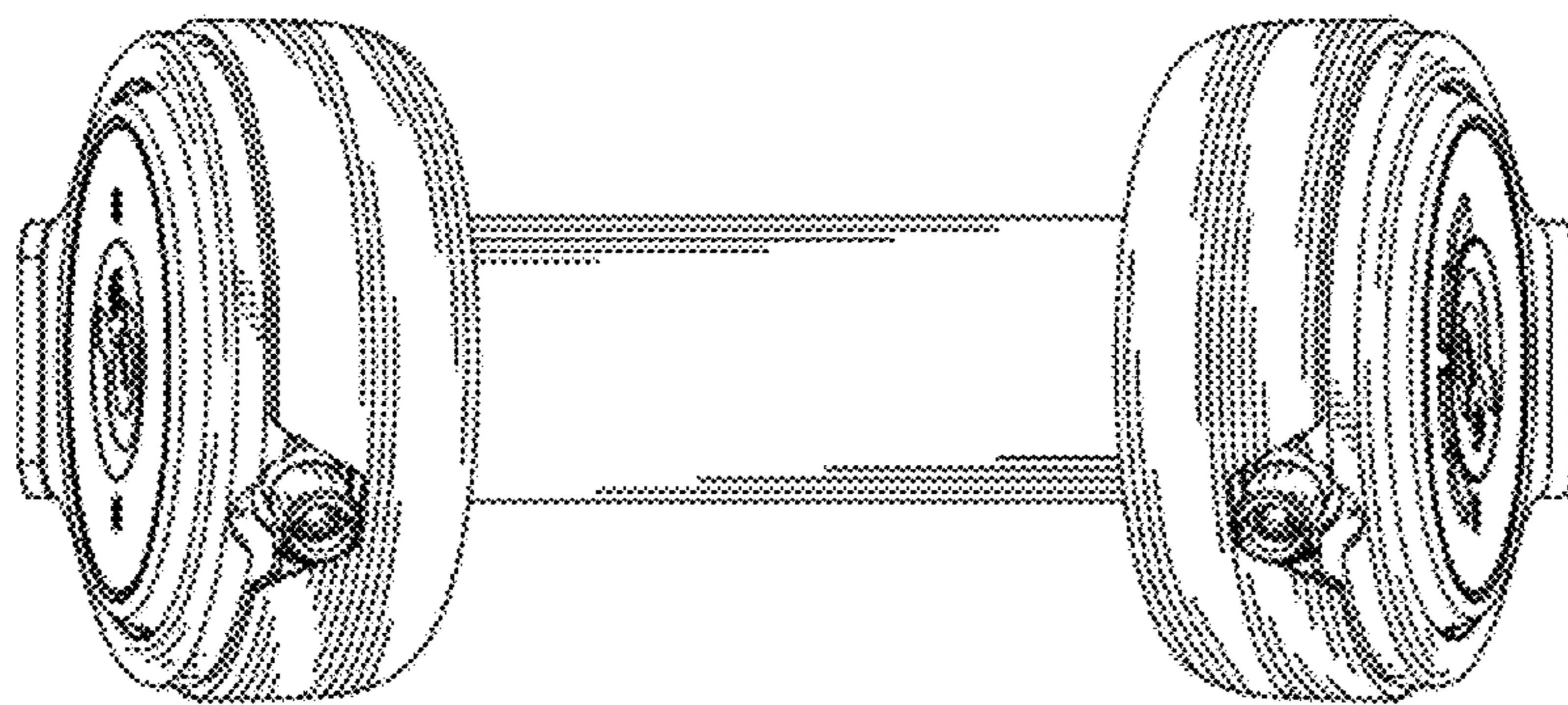


FIG. 7