



US00D673518S

(12) **United States Design Patent**  
**Tan**

(10) **Patent No.:** **US D673,518 S**

(45) **Date of Patent:** **\*\* Jan. 1, 2013**

(54) **HEADPHONE**

(75) Inventor: **Chao Tan**, Shenzhen (CN)

(73) Assignee: **Shenzhen Kai Ju Yuan Technology Co. Ltd**, ShenZhen, GuangDong (KR)

(\*\*) Term: **14 Years**

(21) Appl. No.: **29/401,320**

(22) Filed: **Sep. 9, 2011**

(51) **LOC (9) Cl.** ..... **14-01**

(52) **U.S. Cl.** ..... **D14/205**

(58) **Field of Classification Search** ..... D14/205,  
D14/206, 223; 181/129, 130, 135; 379/430,  
379/431; 381/380, 381; 455/90.3, 575.1;  
D29/112; 2/209

See application file for complete search history.

(56) **References Cited**

**U.S. PATENT DOCUMENTS**

|           |      |         |          |       |           |
|-----------|------|---------|----------|-------|-----------|
| 4,173,715 | A *  | 11/1979 | Gosman   | ..... | 381/382   |
| D338,010  | S *  | 8/1993  | Yamatogi | ..... | D14/205   |
| D386,181  | S *  | 11/1997 | Fisher   | ..... | D14/205   |
| D394,062  | S *  | 5/1998  | Chun     | ..... | D14/192   |
| D430,140  | S *  | 8/2000  | Roman    | ..... | D14/205   |
| D439,574  | S *  | 3/2001  | Katayama | ..... | D14/203.5 |
| D484,485  | S *  | 12/2003 | Matsuoka | ..... | D14/205   |
| 6,654,966 | B2 * | 12/2003 | Rolla    | ..... | 2/209     |

|          |     |         |                |       |         |
|----------|-----|---------|----------------|-------|---------|
| D538,261 | S * | 3/2007  | Taylor et al.  | ..... | D14/205 |
| D552,077 | S   | 10/2007 | Brunner et al. |       |         |
| D563,382 | S * | 3/2008  | Wikel          | ..... | D14/205 |
| D591,263 | S * | 4/2009  | Shimizu        | ..... | D14/205 |
| D593,995 | S * | 6/2009  | Shimizu        | ..... | D14/205 |
| D625,705 | S * | 10/2010 | Ohuri et al.   | ..... | D14/205 |
| D632,668 | S   | 2/2011  | Brunner et al. |       |         |
| D637,176 | S   | 5/2011  | Brunner et al. |       |         |

\* cited by examiner

*Primary Examiner* — Paula Greene

(74) *Attorney, Agent, or Firm* — Tim Tingkang Xia

(57) **CLAIM**

The ornamental design of a headphone, as shown and described.

**DESCRIPTION**

FIG. 1 is a front, top and right side perspective view of a headphone showing our new design, the opposite perspective view is a mirror image;

FIG. 2 is a front elevational view thereof;

FIG. 3 is a rear elevational view thereof;

FIG. 4 is a left side elevational view thereof;

FIG. 5 is a right side elevational view thereof;

FIG. 6 is a top plan view thereof; and,

FIG. 7 is a bottom plan view thereof.

The broken line showing of the environment is for illustrative purpose only and forms not part of the claimed design.

**1 Claim, 5 Drawing Sheets**





FIG. 1



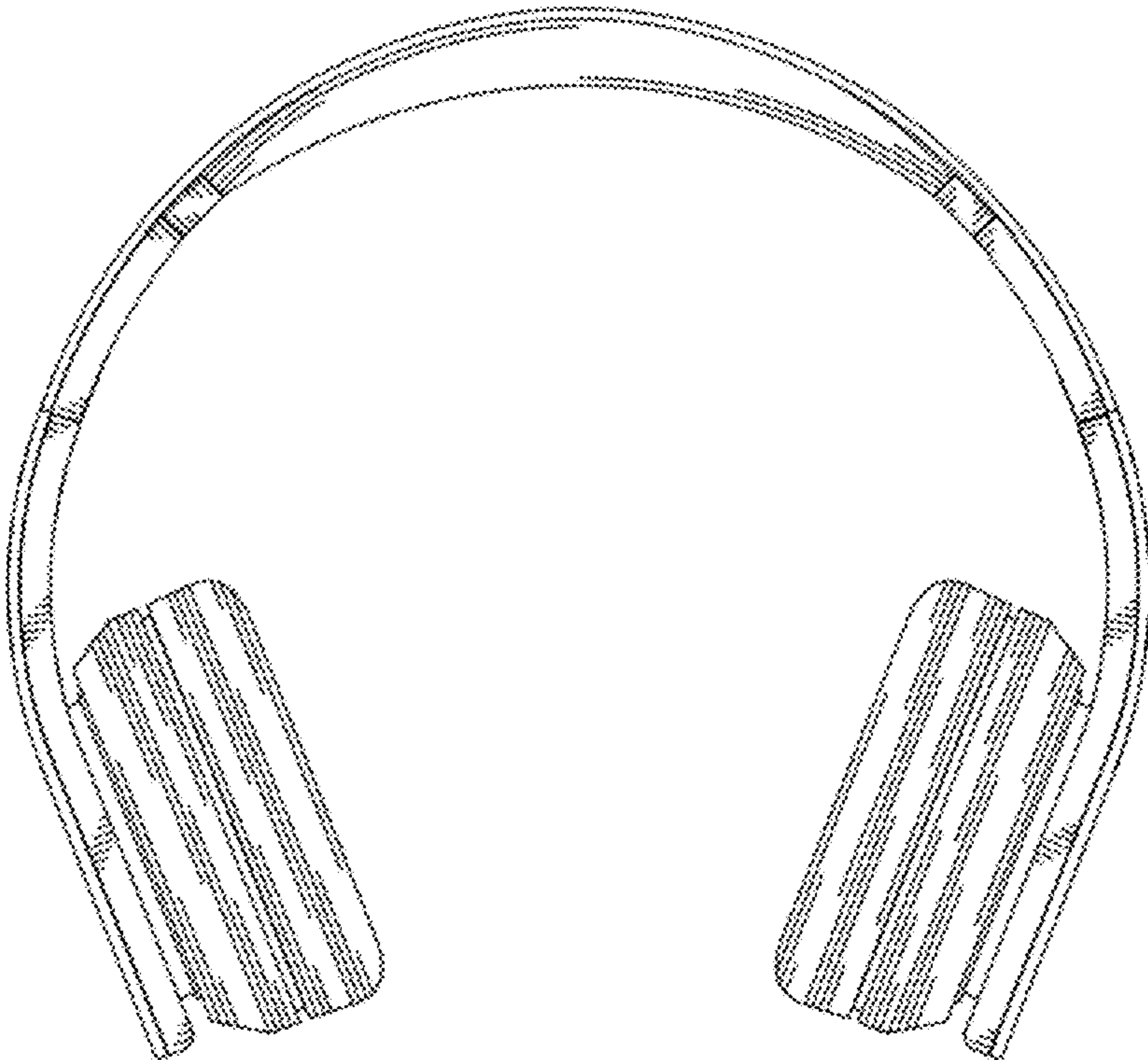


FIG. 2

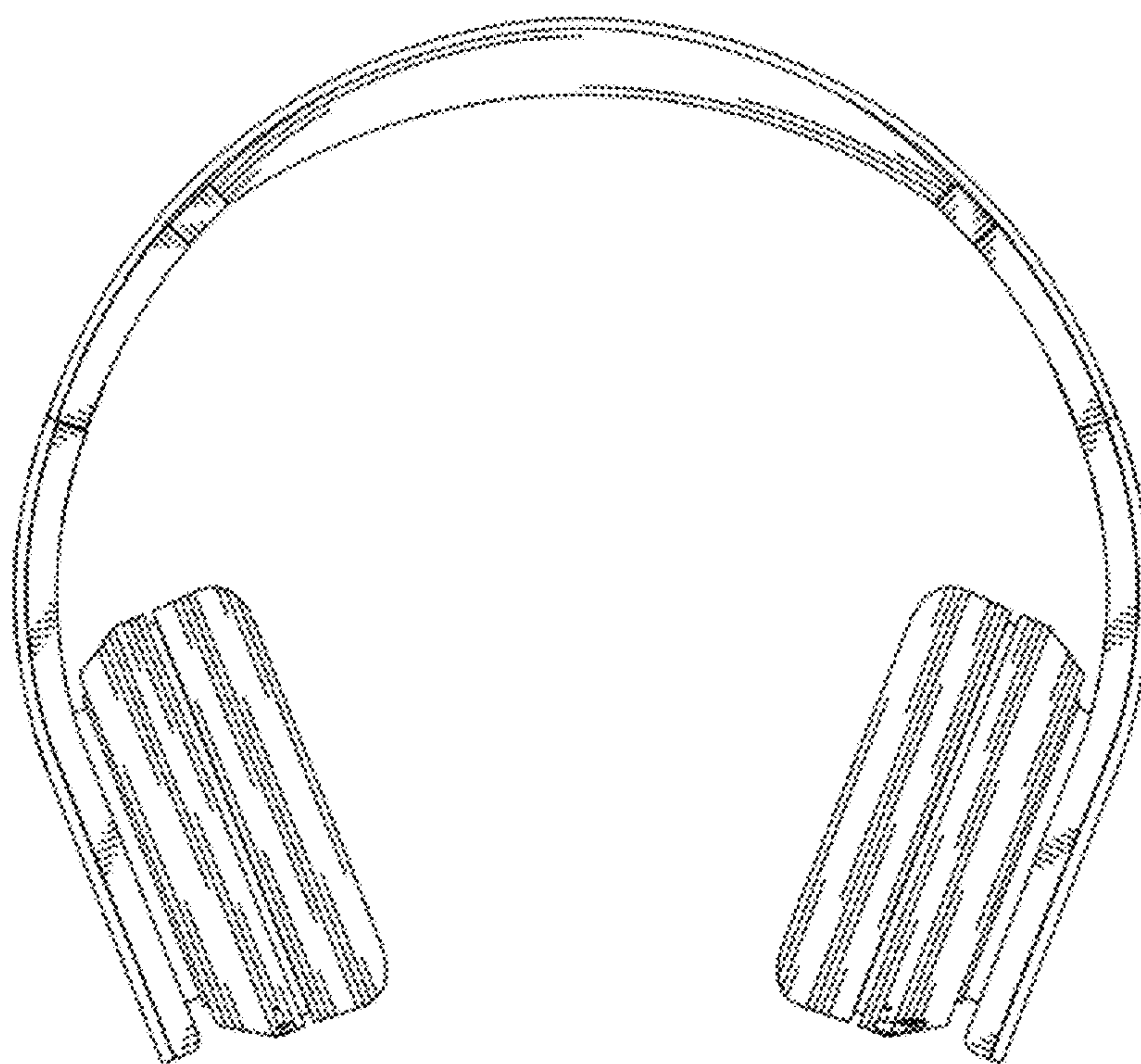


FIG. 3

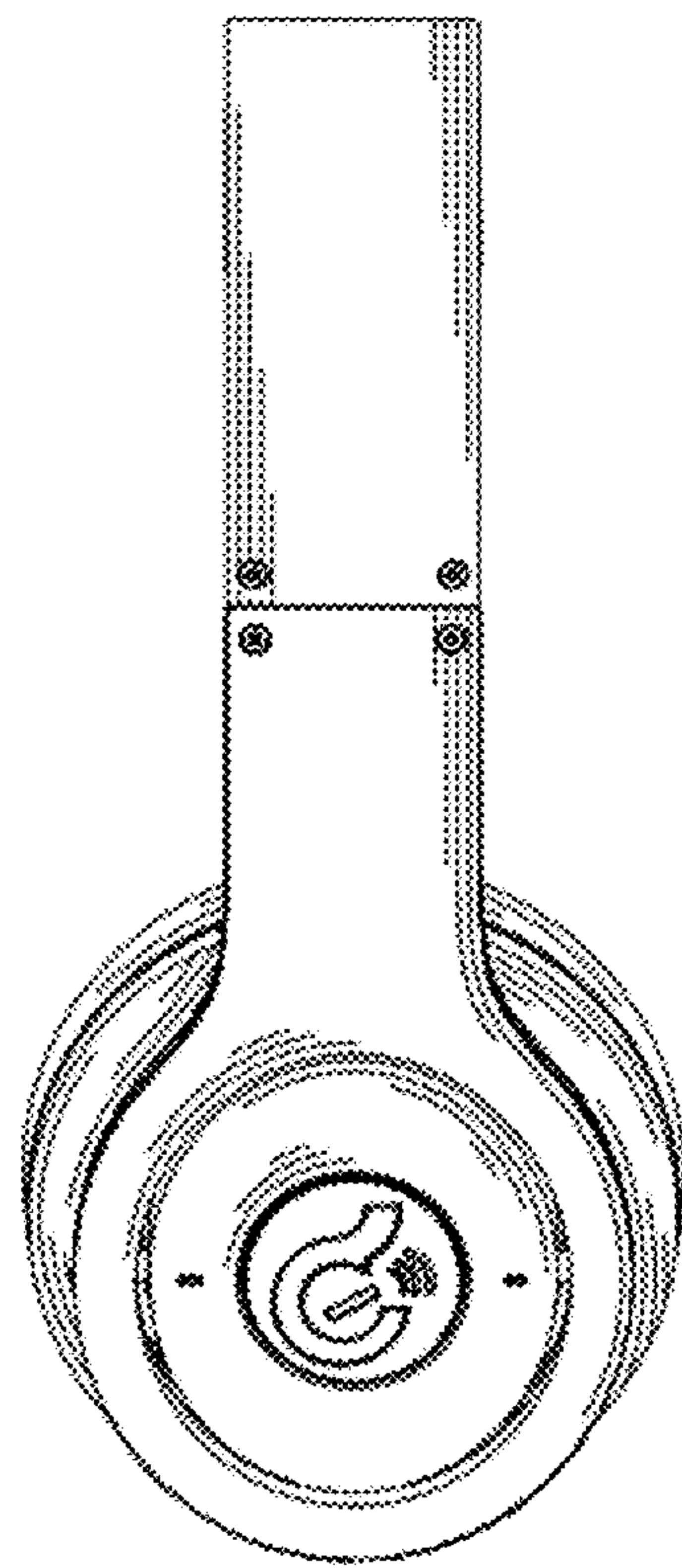


FIG. 4

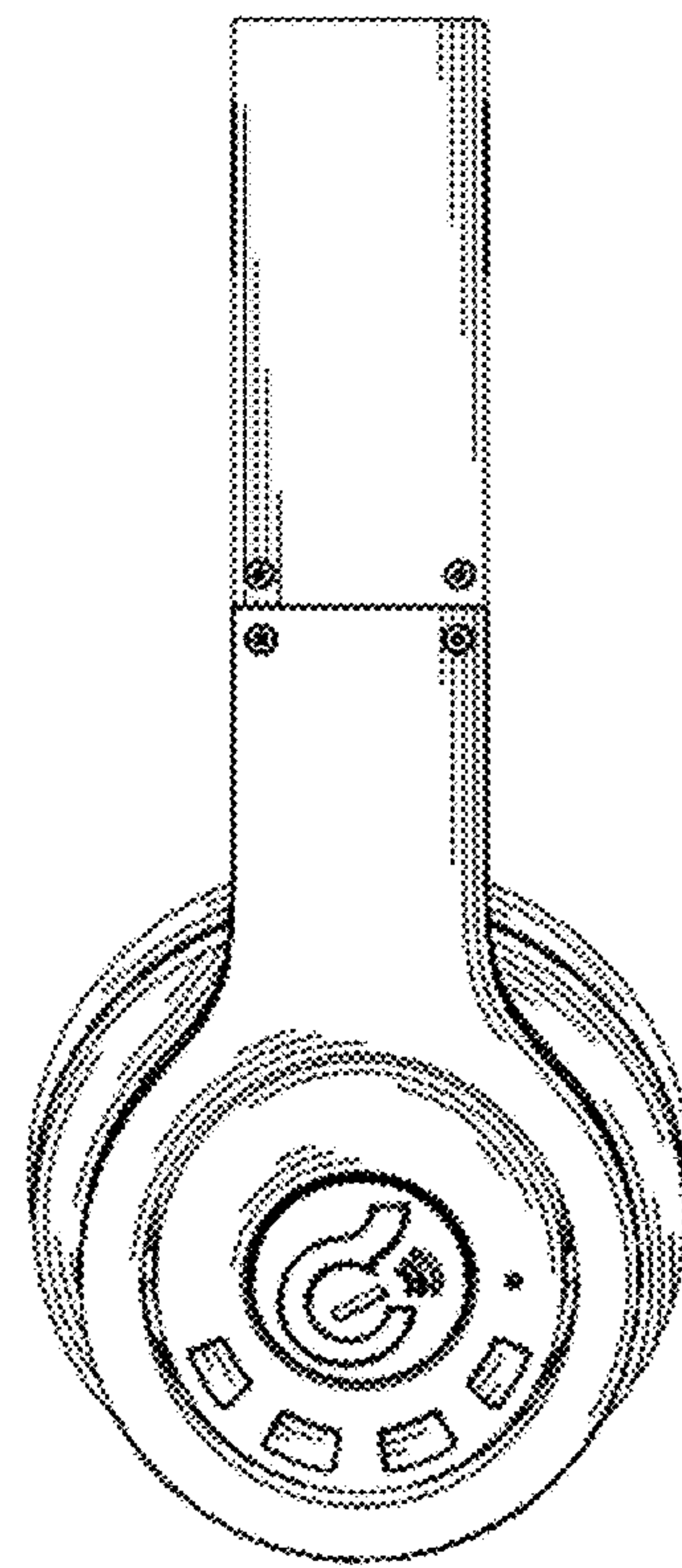


FIG. 5

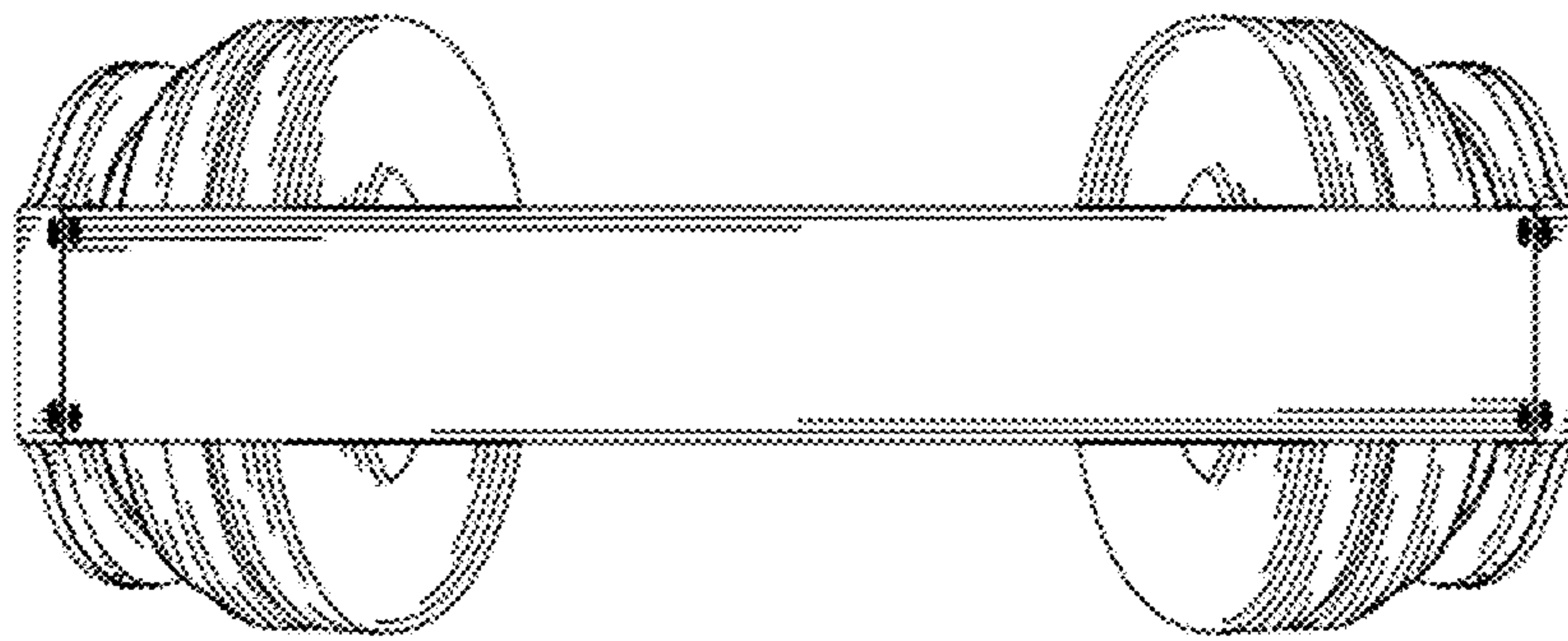


FIG. 6

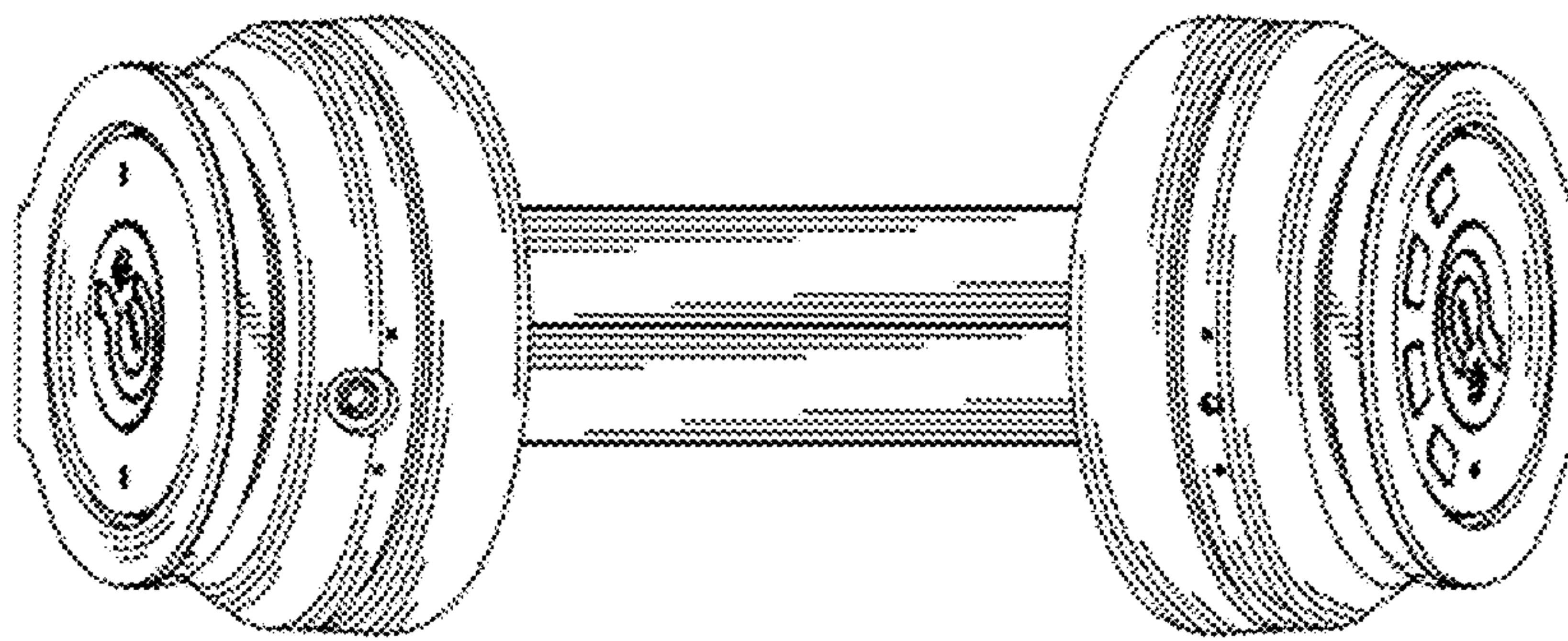


FIG. 7