



US00D673517S

(12) **United States Design Patent**
DeVesto

(10) **Patent No.:** **US D673,517 S**

(45) **Date of Patent:** **** Jan. 1, 2013**

(54) **RADIO AND SPEAKER UNIT**

(76) Inventor: **Thomas DeVesto**, Cotuit, MA (US)

(**) Term: **14 Years**

(21) Appl. No.: **29/417,393**

(22) Filed: **Apr. 3, 2012**

(51) **LOC (9) Cl.** **14-03**

(52) **U.S. Cl.** **D14/195**

(58) **Field of Classification Search** D14/137,
D14/155, 162, 167-172, 188, 189, 193-198,
D14/203.1-203.8, 204, 207, 208, 209.1, 210-216,
D14/217, 257, 258, 265, 299, 496; 369/6-12;
455/90.1-90.3, 344-355; 181/143, 144,
181/147, 148, 150, 153, 157, 198, 199;
381/300-303, 306, 332, 333, 336, 345, 361-364,
381/386-388

See application file for complete search history.

(56) **References Cited**

U.S. PATENT DOCUMENTS

D268,673 S * 4/1983 Iijima D14/214
D585,051 S * 1/2009 Marchand et al. D14/214

D624,048 S * 9/2010 Kim D14/215
D668,634 S * 10/2012 Suzuki D14/215

* cited by examiner

Primary Examiner — Keli L Hill

(74) *Attorney, Agent, or Firm* — Chapin IP Law, LLC

(57) **CLAIM**

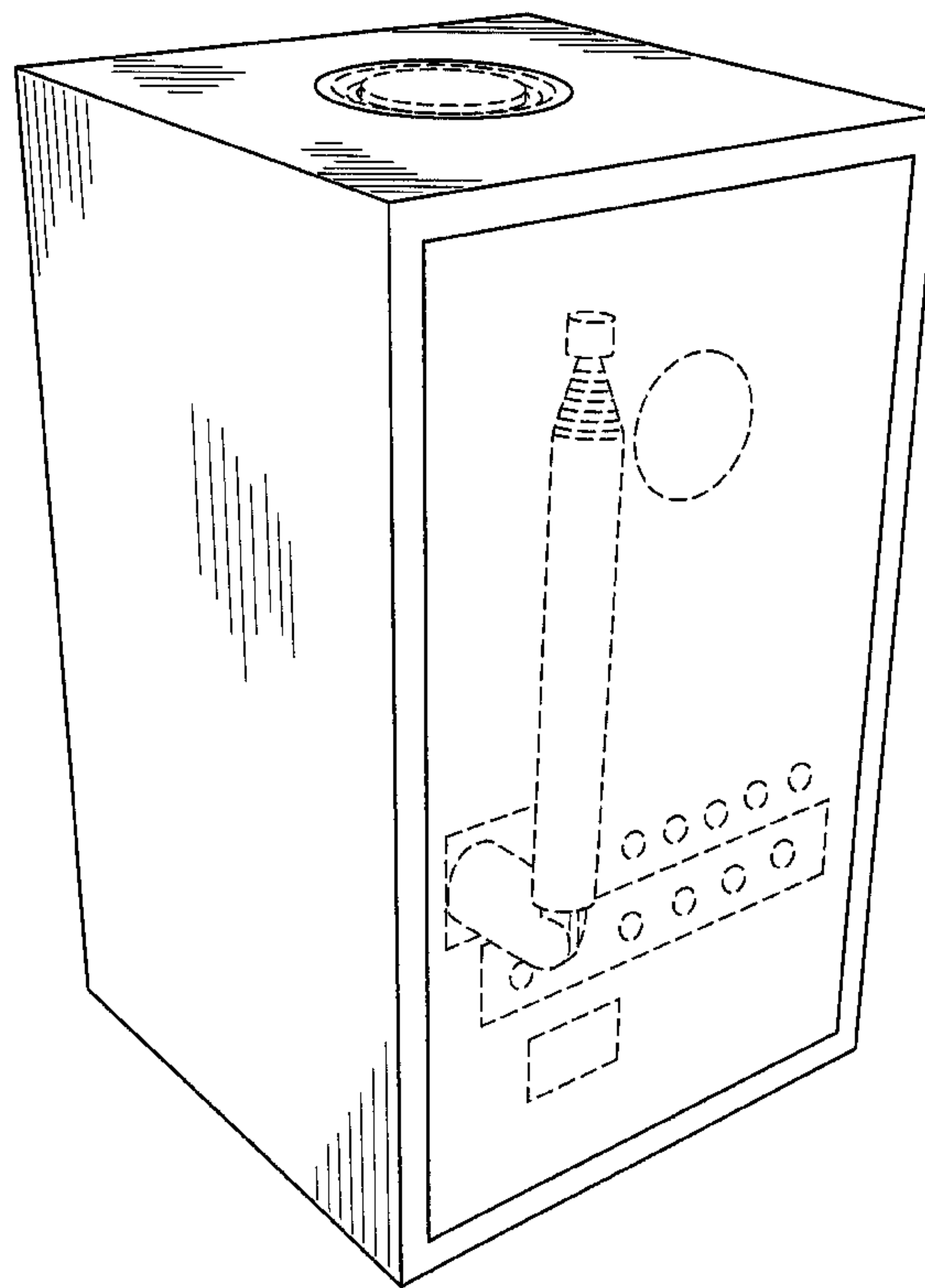
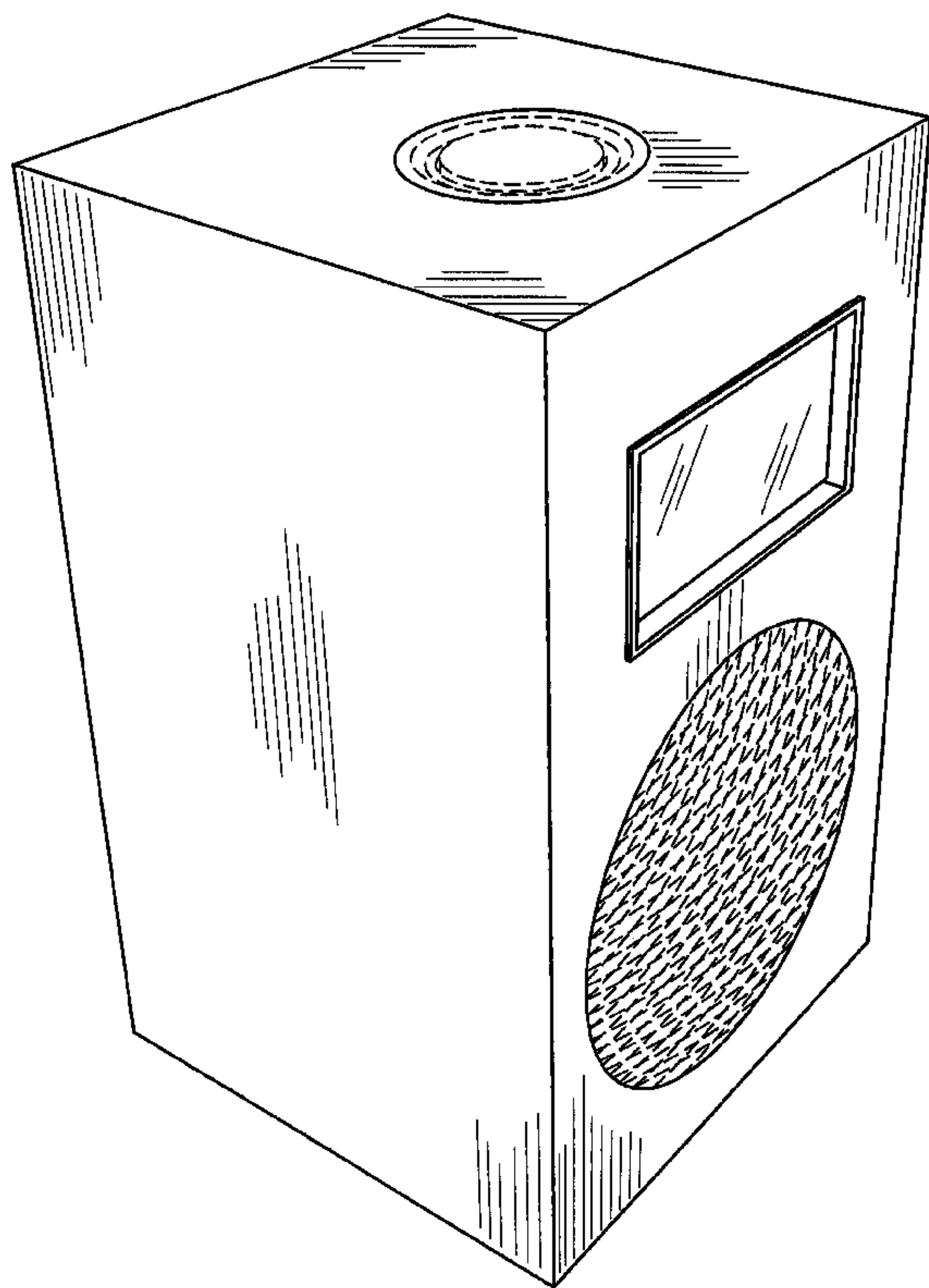
The ornamental design for a radio and speaker unit, as shown and described.

DESCRIPTION

FIG. 1 is a top, front and side perspective view of a radio and speaker unit, embodying my new design; FIG. 2 is a front elevation view thereof; FIG. 3 is a top plan view thereof; FIG. 4 is an side elevation view thereof; FIG. 5 is a top, rear and side perspective view thereof; and, FIG. 6 is a rear elevation view thereof.

The broken lines shown are included for the purpose of illustrating the unclaimed portions of the article and form no part of the claim.

1 Claim, 6 Drawing Sheets



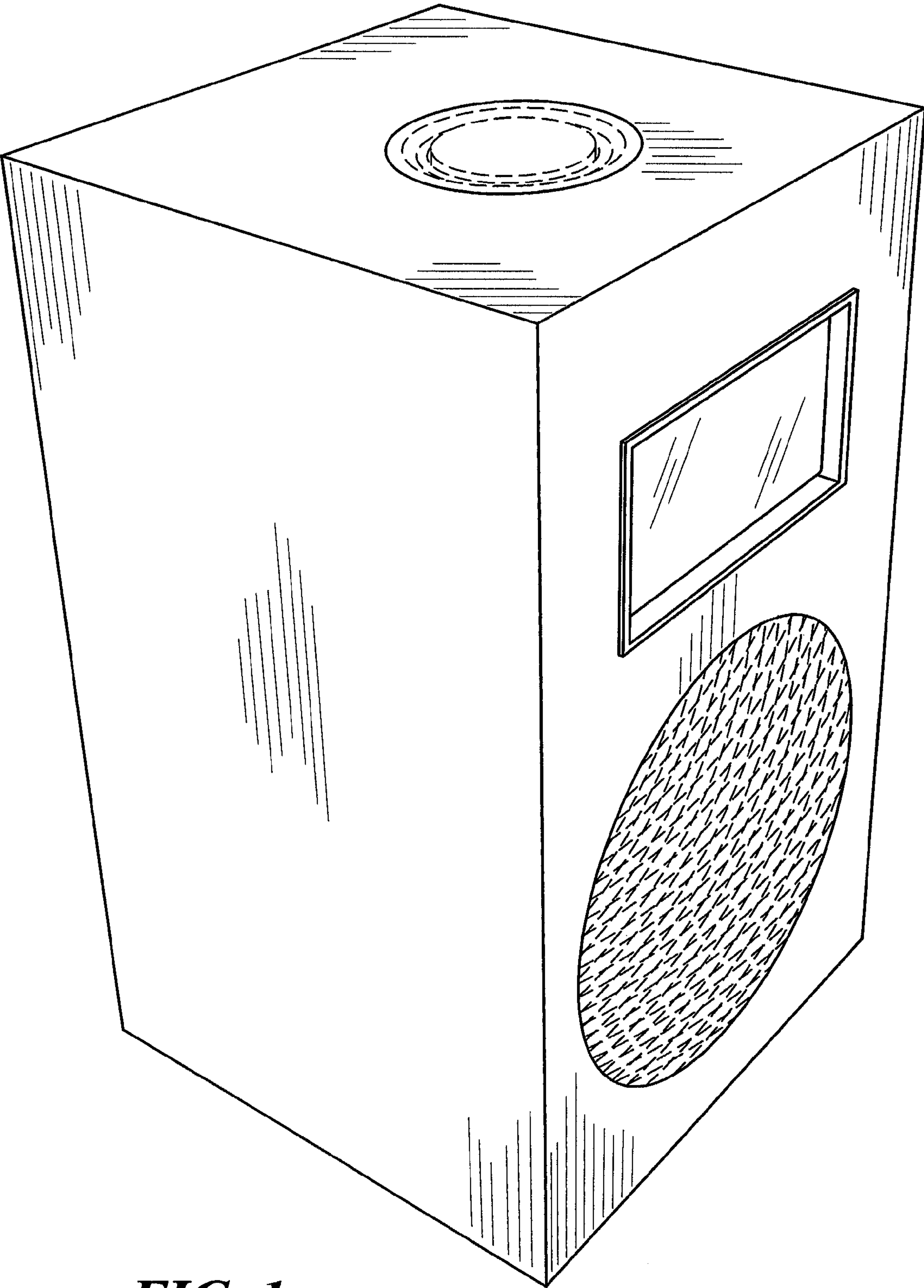


FIG. 1

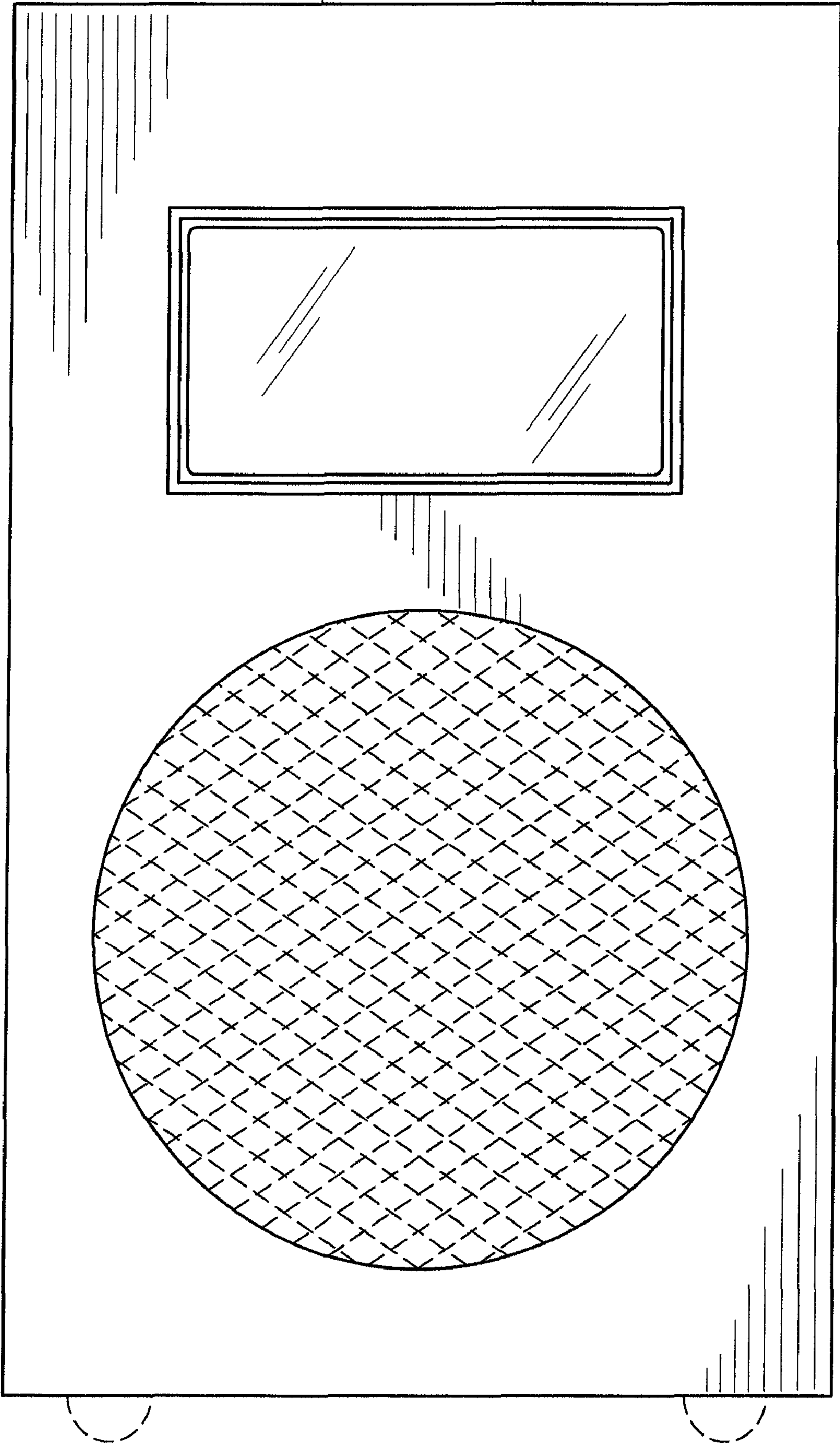


FIG. 2

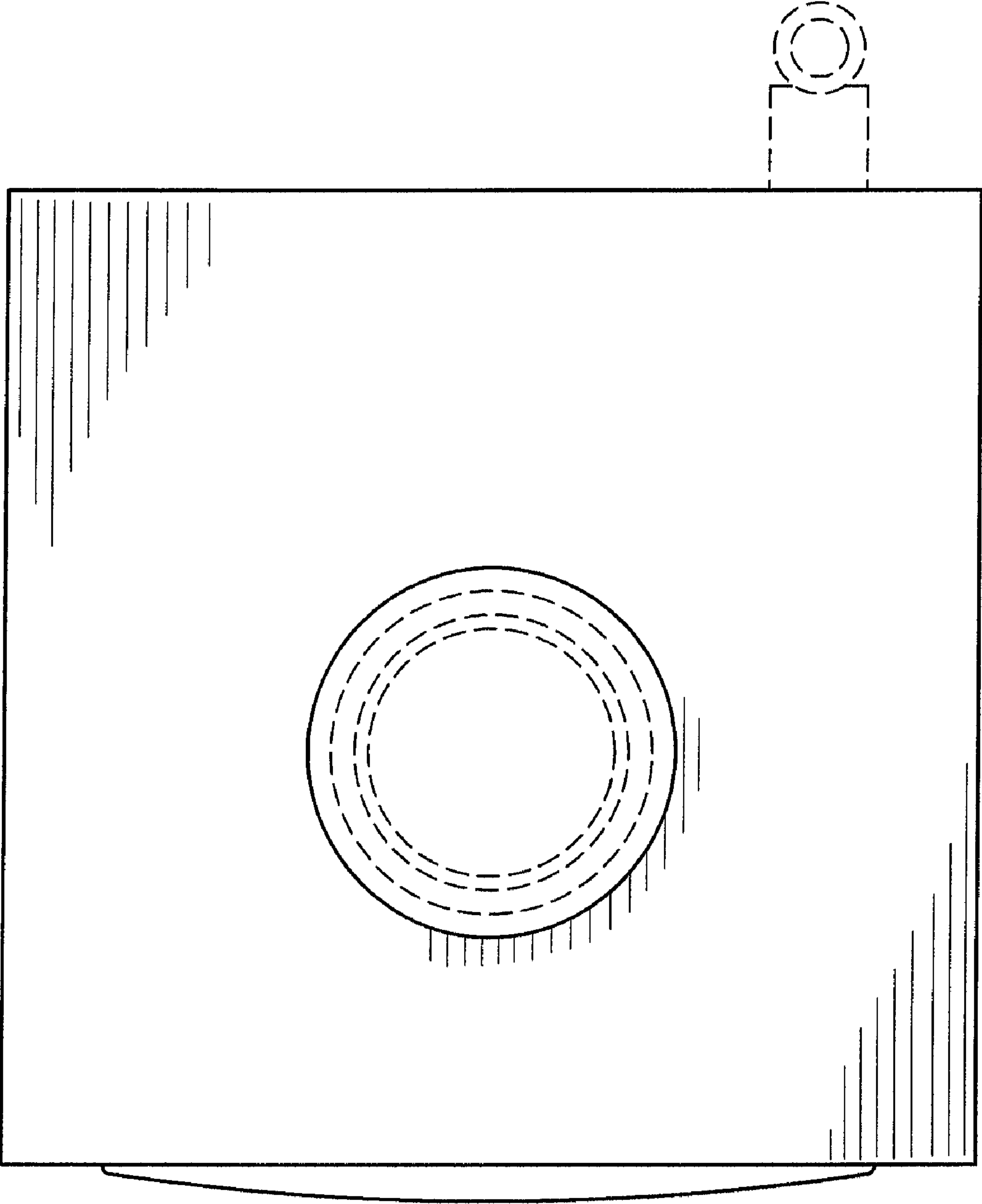


FIG. 3

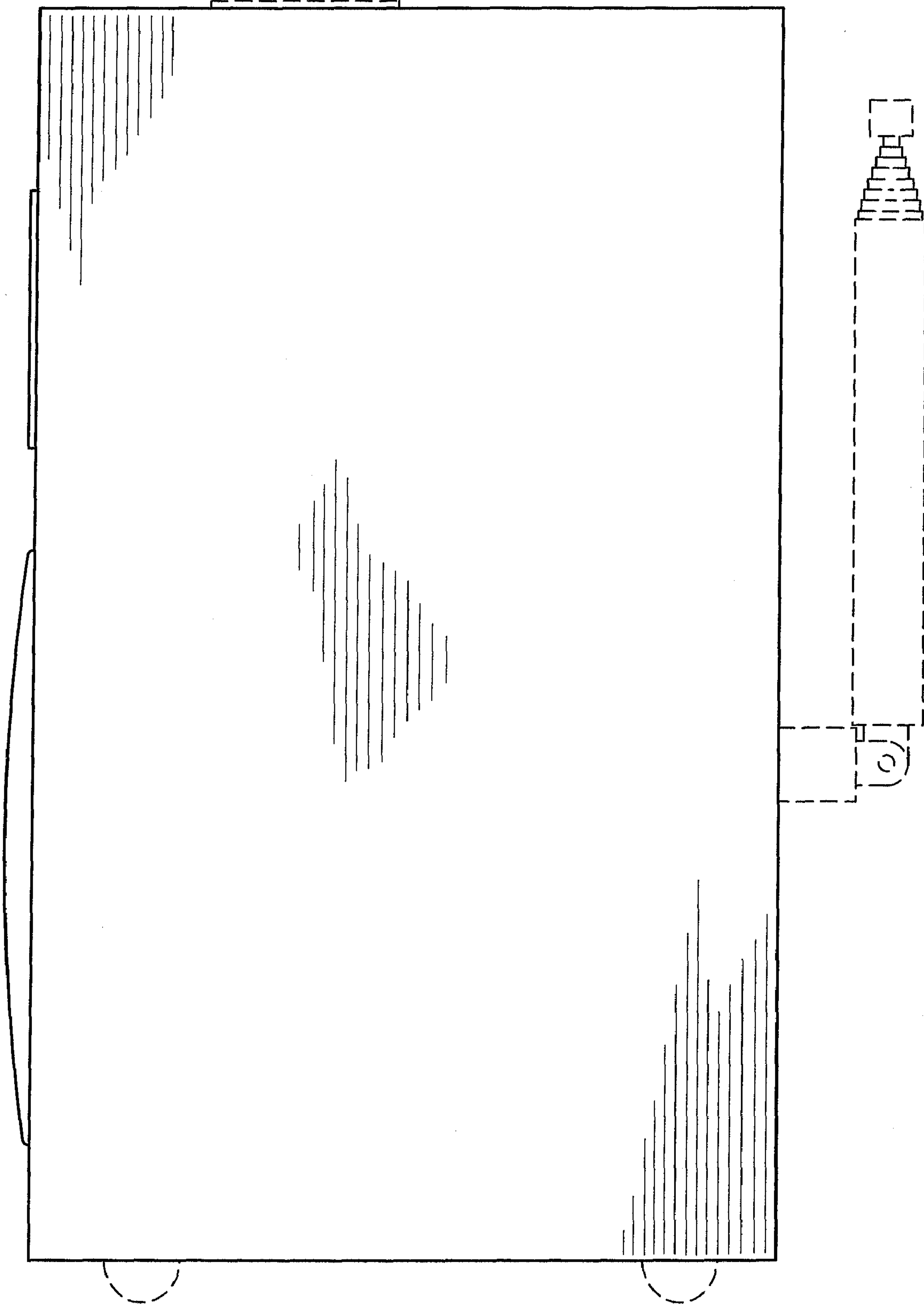


FIG. 4

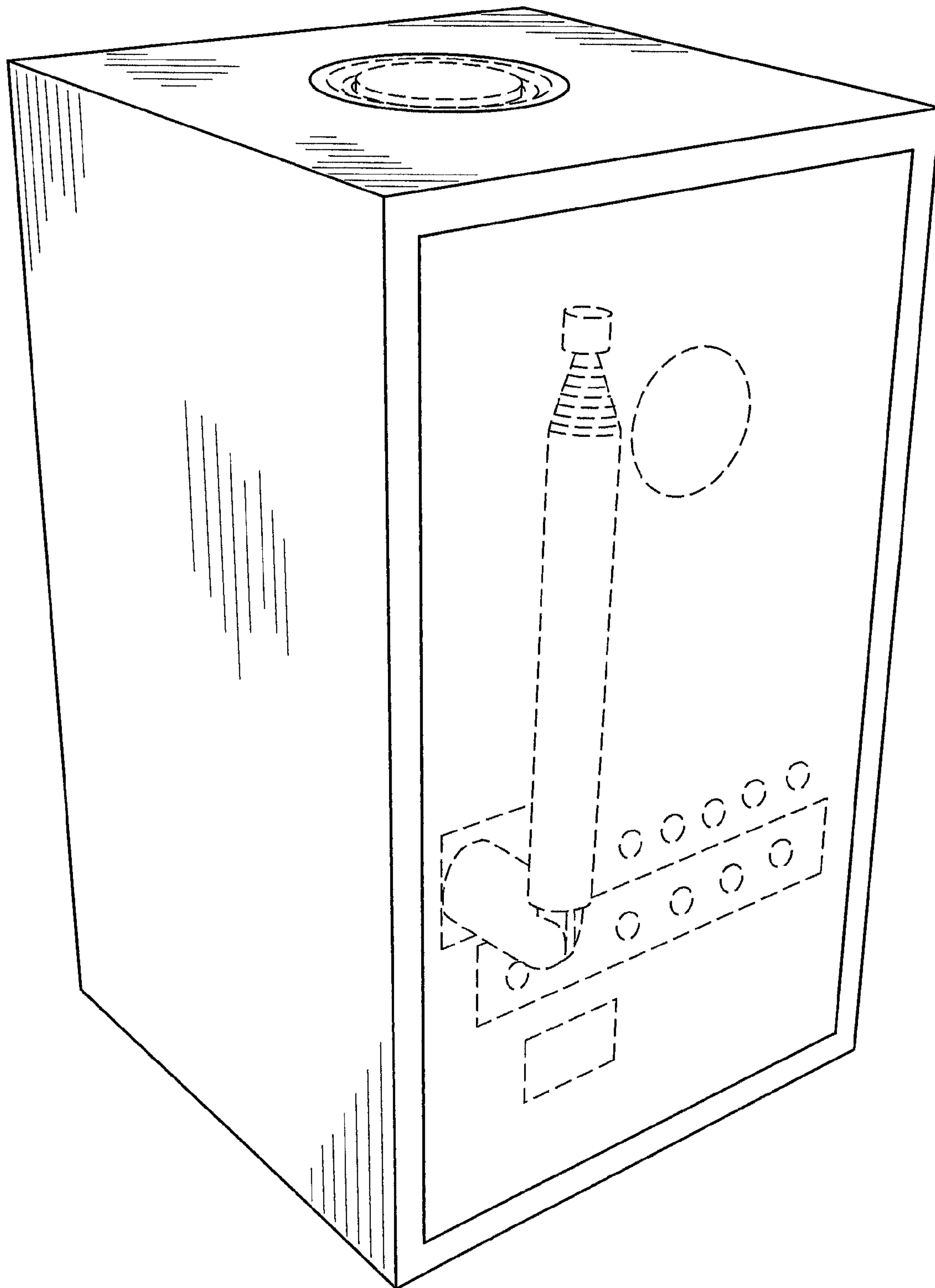


FIG. 5

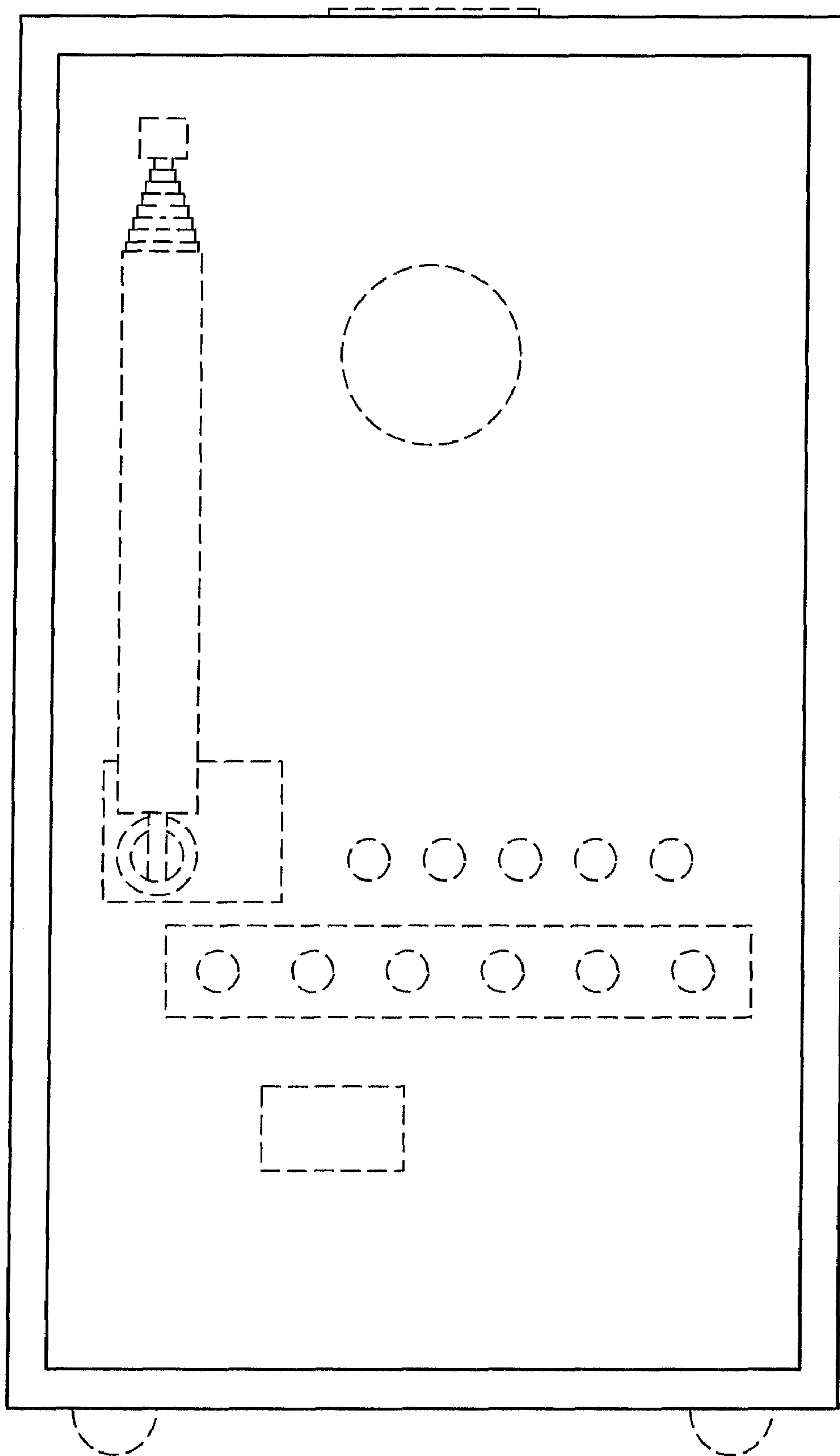


FIG. 6