



US00D673516S

(12) **United States Design Patent**
Blazevic

(10) **Patent No.:** **US D673,516 S**
(45) **Date of Patent:** **** Jan. 1, 2013**

(54) **NOVELTY MAGNET**

(76) Inventor: **Aaron Blazevic**, Grapevine, TX (US)

(**) Term: **14 Years**

(21) Appl. No.: **29/372,977**

(22) Filed: **Feb. 11, 2011**

(51) **LOC (9) Cl.** **13-99**

(52) **U.S. Cl.** **D13/183**

(58) **Field of Classification Search** D13/183,
D13/133, 154, 184, 199; D8/16, 34, 40;
D9/772; D19/75, 86, 90, 96, 97; D21/717,
D21/718; 81/3.07, 3.09, 3.31, 3.49, 3.55;
446/129, 132, 137, 138

See application file for complete search history.

(56) **References Cited**

U.S. PATENT DOCUMENTS

D229,698 S * 12/1973 Kretzer et al. D9/772
4,669,725 A * 6/1987 Taylor 473/257
D302,832 S * 8/1989 King D19/75
D468,379 S * 1/2003 Gan D21/717

D603,004 S * 10/2009 Chudy D21/717
D642,548 S * 8/2011 Bowen, III D13/183
D656,376 S * 3/2012 Blazevic D8/34
2003/0097909 A1 * 5/2003 Pote 81/3.4

* cited by examiner

Primary Examiner — Derrick Holland

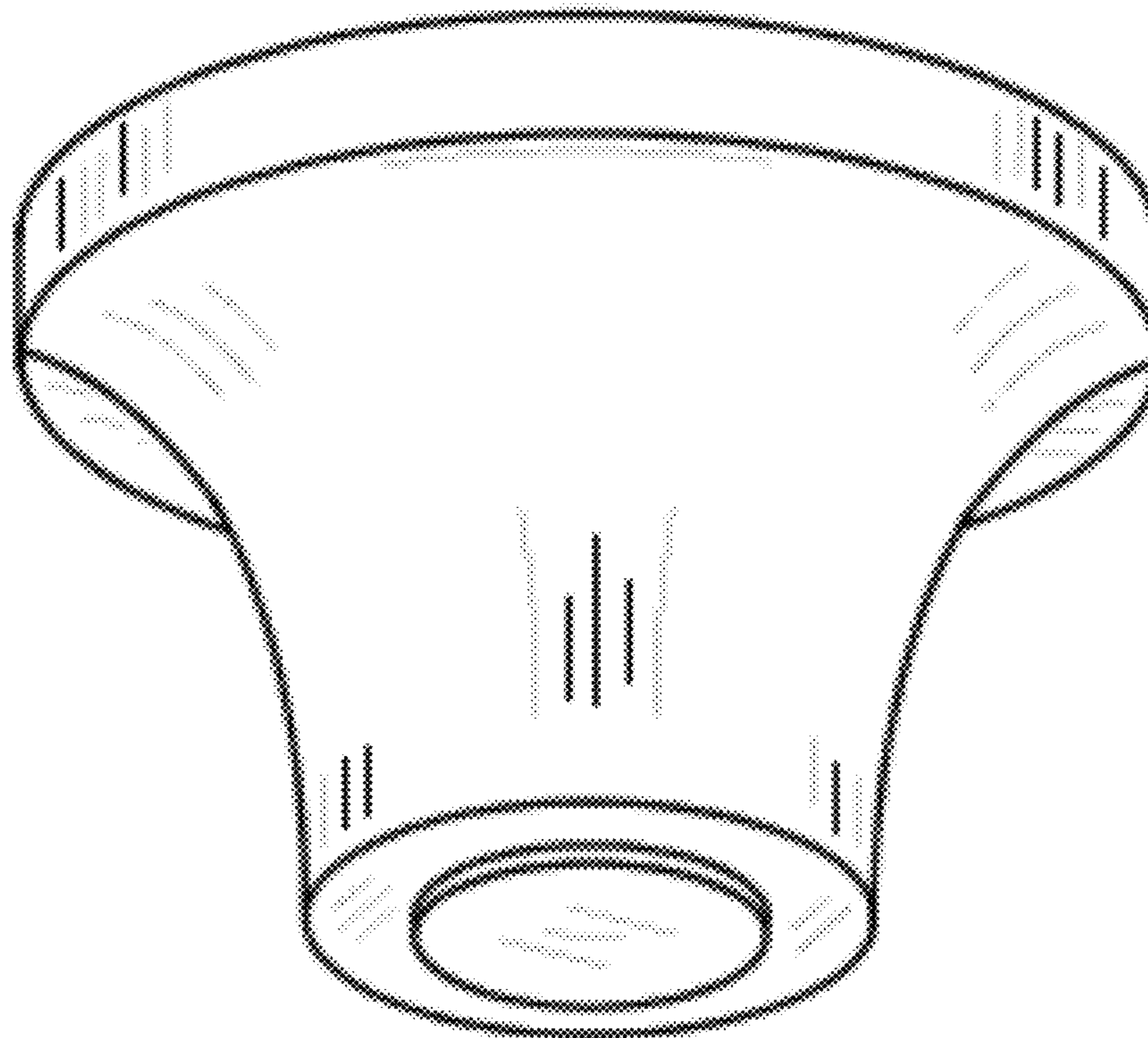
(57) **CLAIM**

I claim the ornamental design for a novelty magnet, as shown and described.

DESCRIPTION

FIG. 1 is a top perspective view of a novelty magnet;
FIG. 2 is a bottom perspective view thereof;
FIG. 3 is a side elevation view thereof;
FIG. 4 is a top plan view thereof;
FIG. 5 is a bottom plan view thereof; and,
FIG. 6 is a perspective view thereof, shown in an environment of use.
The broken lines depict a typical environment of use and form no part of the claimed design.

1 Claim, 2 Drawing Sheets



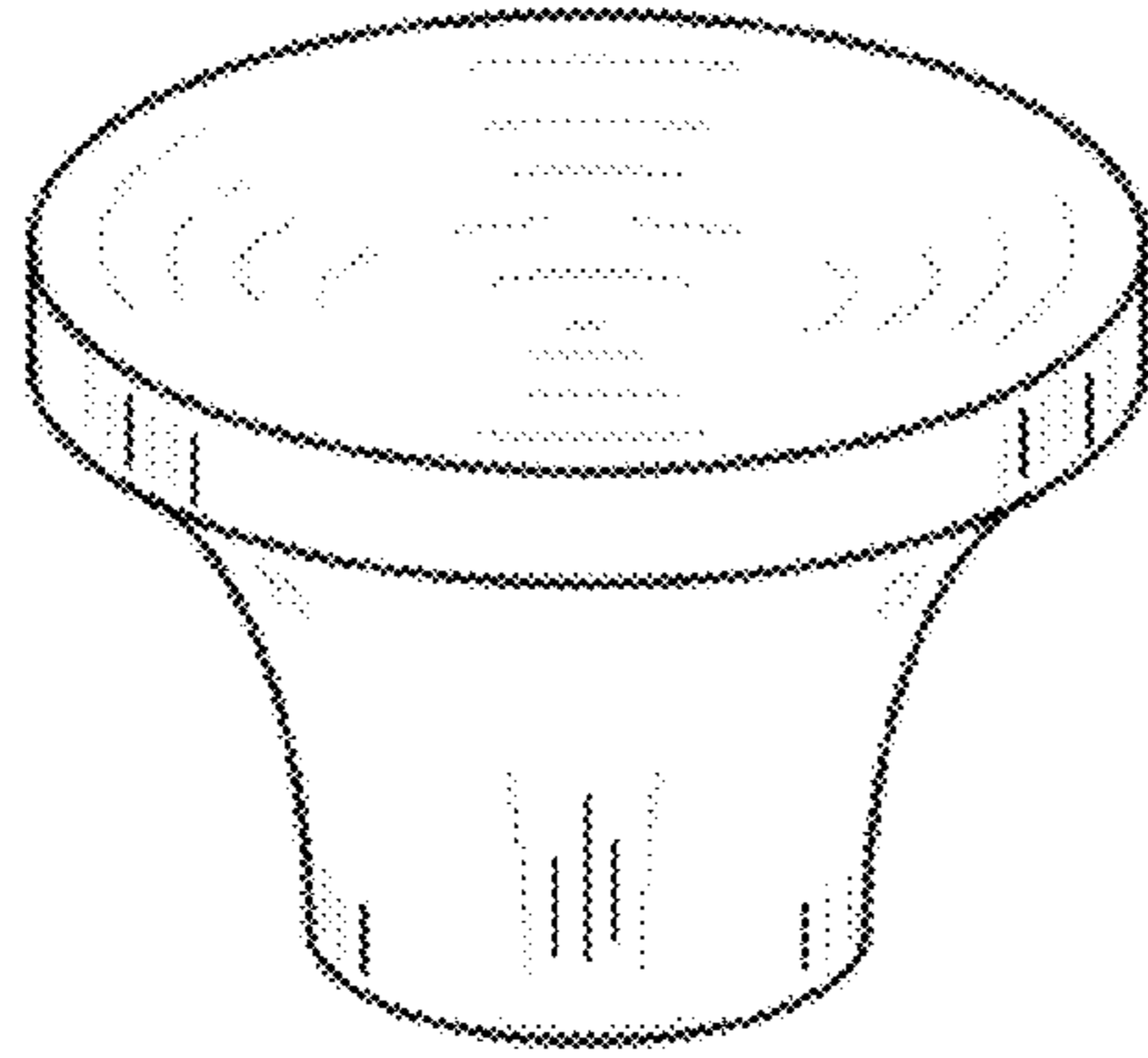


FIG. 1

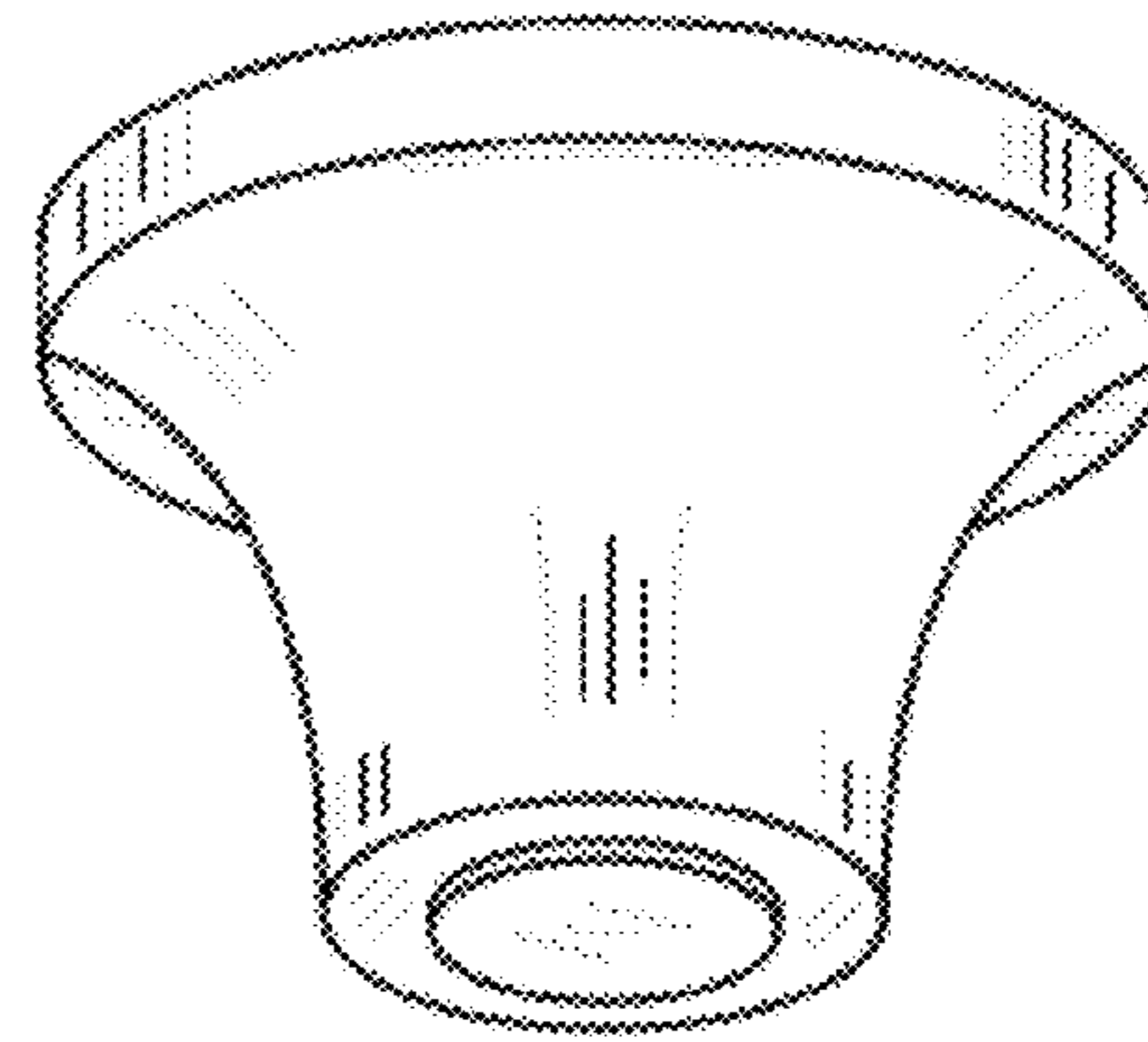


FIG. 2

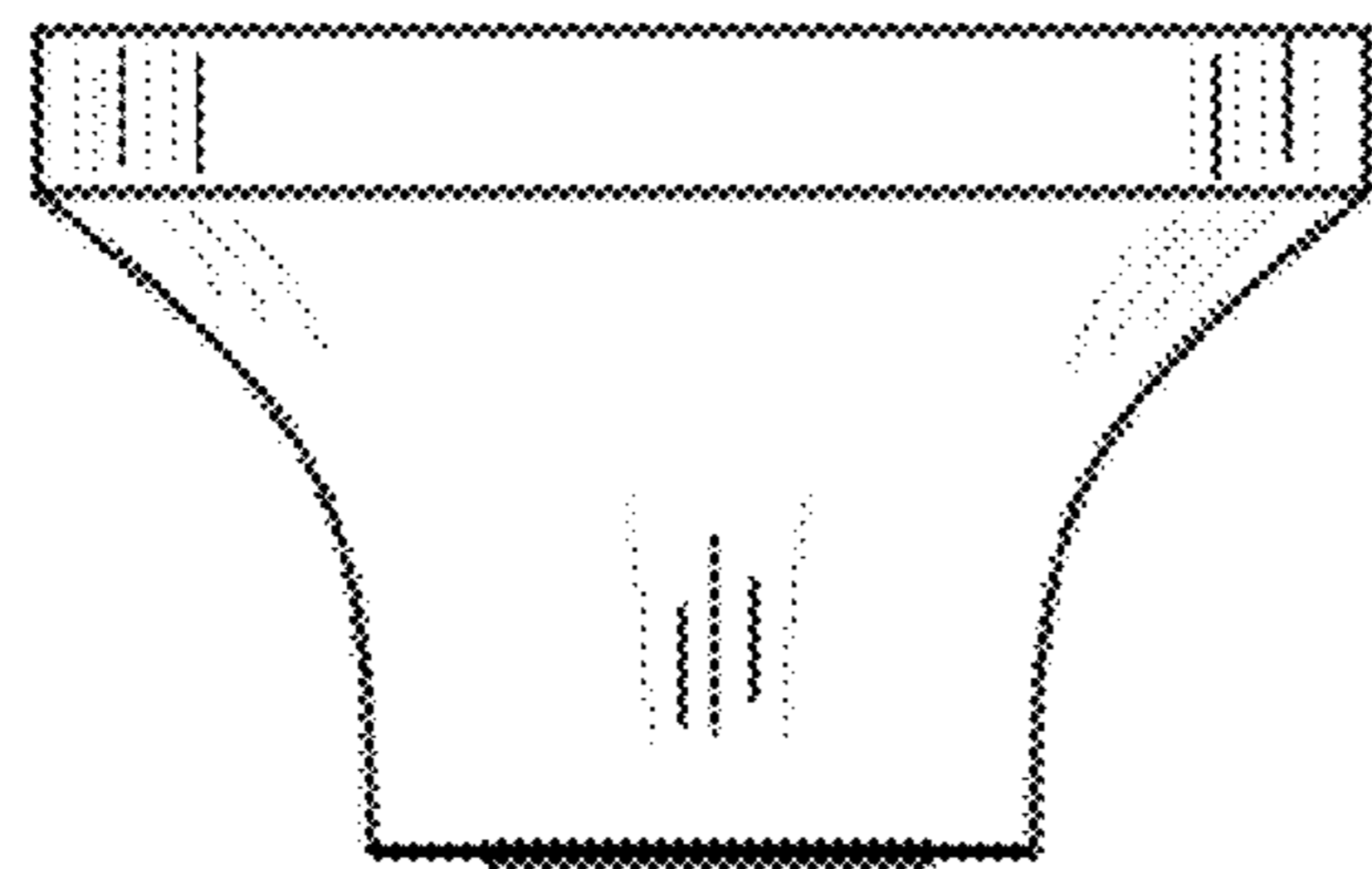


FIG. 3

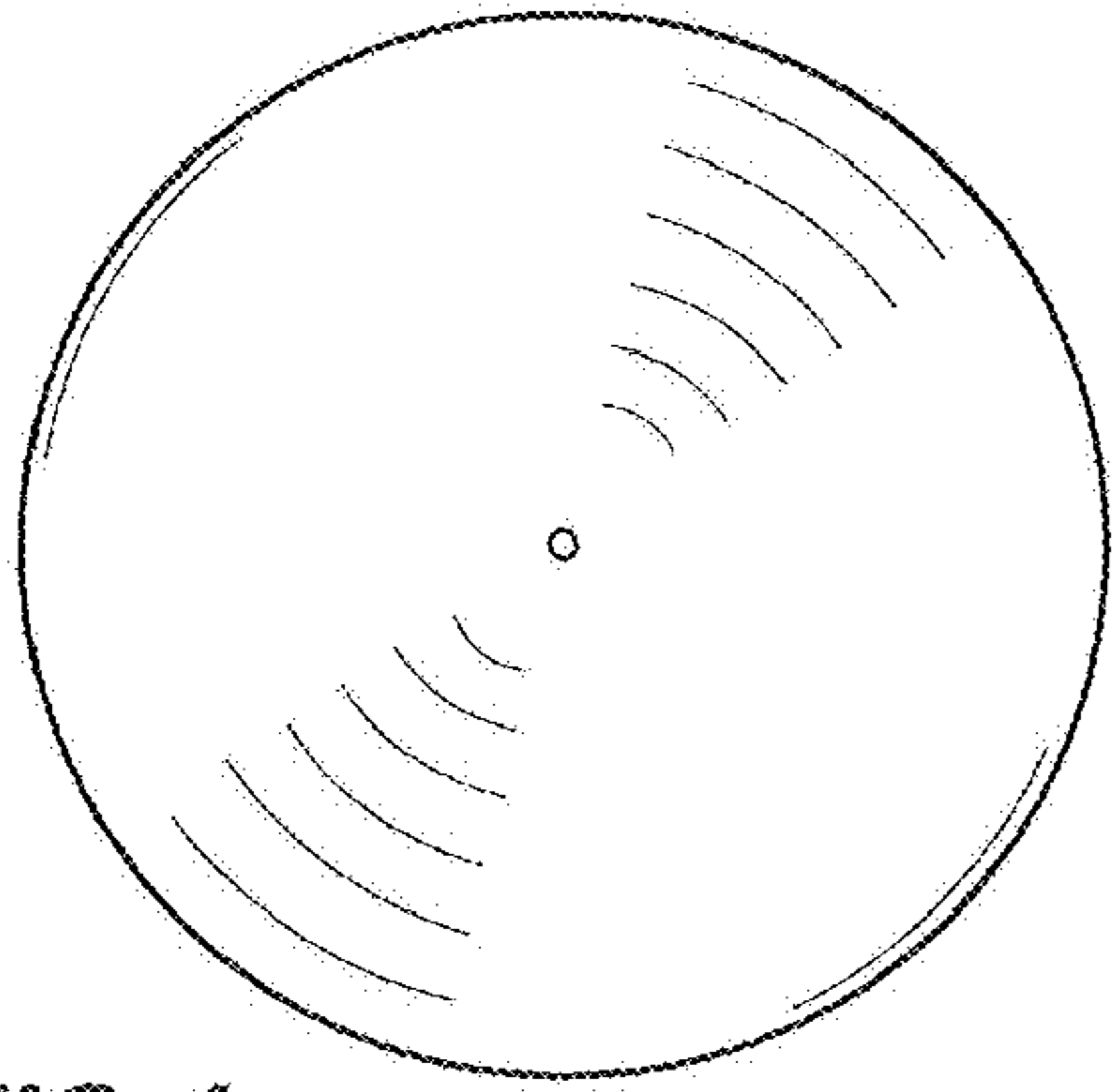


FIG. 4

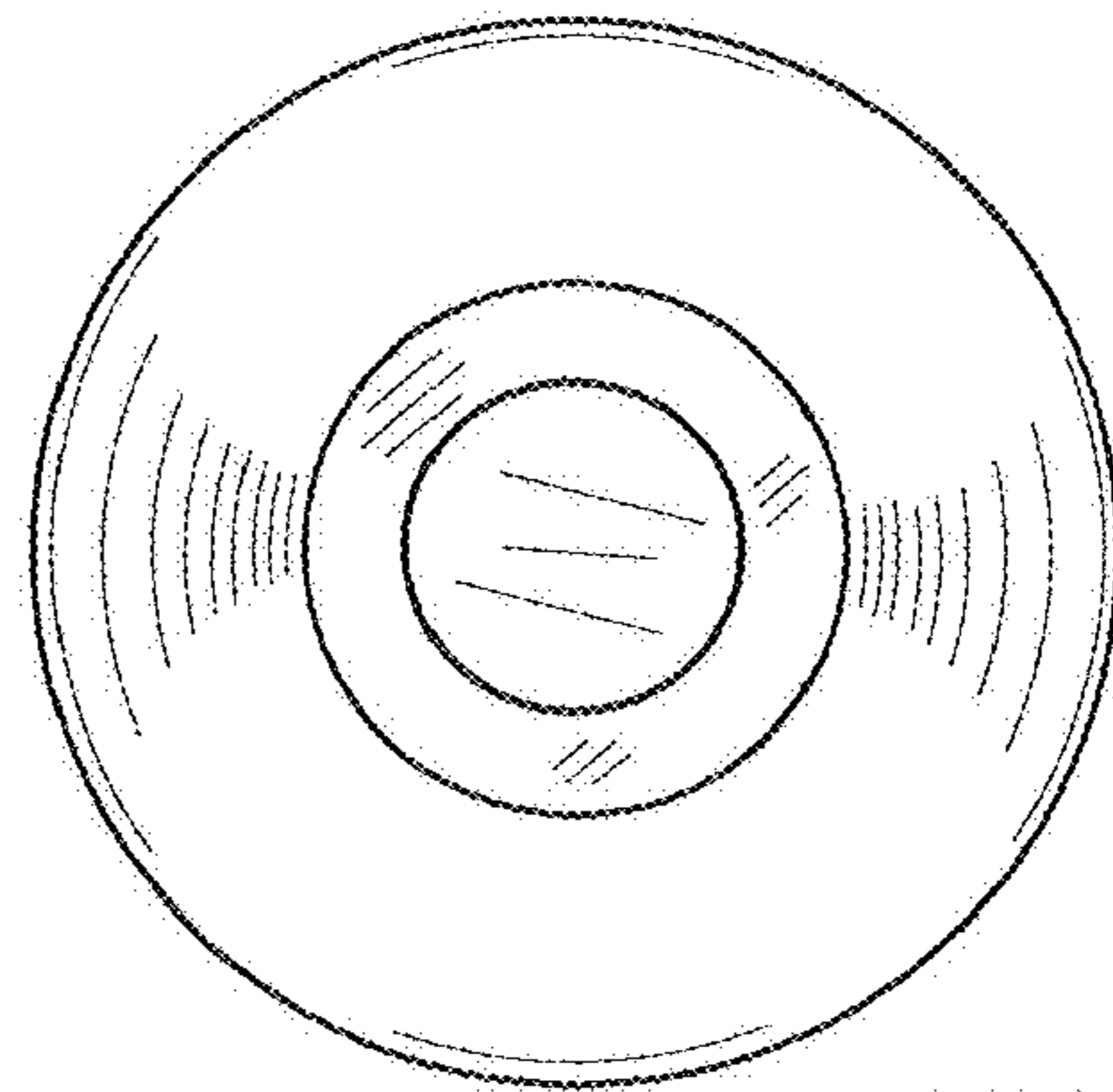


FIG. 5

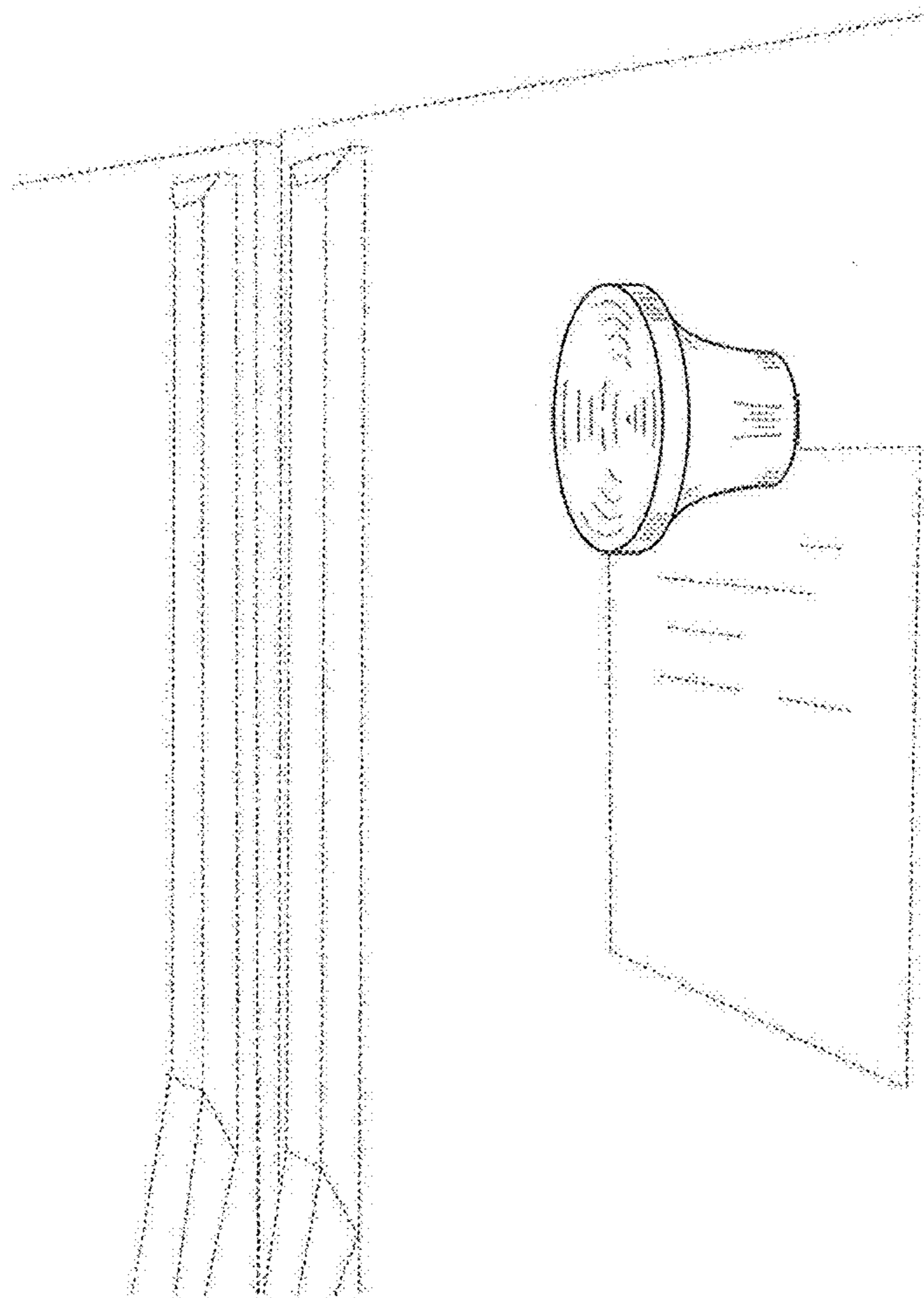


FIG. 6