



US00D673515S

(12) **United States Design Patent**
Corbin et al.

(10) **Patent No.:** **US D673,515 S**
(45) **Date of Patent:** **** Jan. 1, 2013**

(54) **COMPONENT OF AN ELECTRONIC DEVICE**

(75) Inventors: **Sean Stewart Corbin**, Cupertino, CA (US); **Stephen McClure**, San Francisco, CA (US); **Brianna Celeste Wilson Green**, East Palo Alto, CA (US); **Alex Chun Lap Yeung**, South San Francisco, CA (US)

(73) Assignee: **Apple Inc.**, Cupertino, CA (US)

(**) Term: **14 Years**

(21) Appl. No.: **29/385,795**

(22) Filed: **Feb. 18, 2011**

(51) **LOC (9) Cl.** **13-03**

(52) **U.S. Cl.** **D13/182**

(58) **Field of Classification Search** D13/182;
D14/436; 29/829, 843; 174/250, 254, 265;
361/679.01, 679.31, 719, 720, 736, 748,
361/752, 756, 760, 761, 773

See application file for complete search history.

(56) **References Cited**

U.S. PATENT DOCUMENTS

5,206,792	A *	4/1993	Reynolds	361/719
6,104,613	A *	8/2000	Urda et al.	361/704
6,235,995	B1 *	5/2001	Cheng et al.	174/254

6,479,755	B1 *	11/2002	Kim et al.	174/250
D508,681	S *	8/2005	Enderlein et al.	D13/182
7,052,296	B2	5/2006	Yang et al.		
D525,213	S *	7/2006	Enderlein et al.	D13/182
7,492,596	B1 *	2/2009	Peng et al.	361/700
7,583,505	B2 *	9/2009	Wakabayashi et al.	361/714
D637,157	S	5/2011	Andre et al.		
D637,192	S	5/2011	Andre et al.		
D637,193	S	5/2011	Andre et al.		
8,243,450	B2 *	8/2012	Takeguchi et al.	361/700
2010/0126760	A1 *	5/2010	Ishikawa	174/260

* cited by examiner

Primary Examiner — Selina Sikder

(74) *Attorney, Agent, or Firm* — Sterne, Kessler, Goldstein & Fox, PLLC

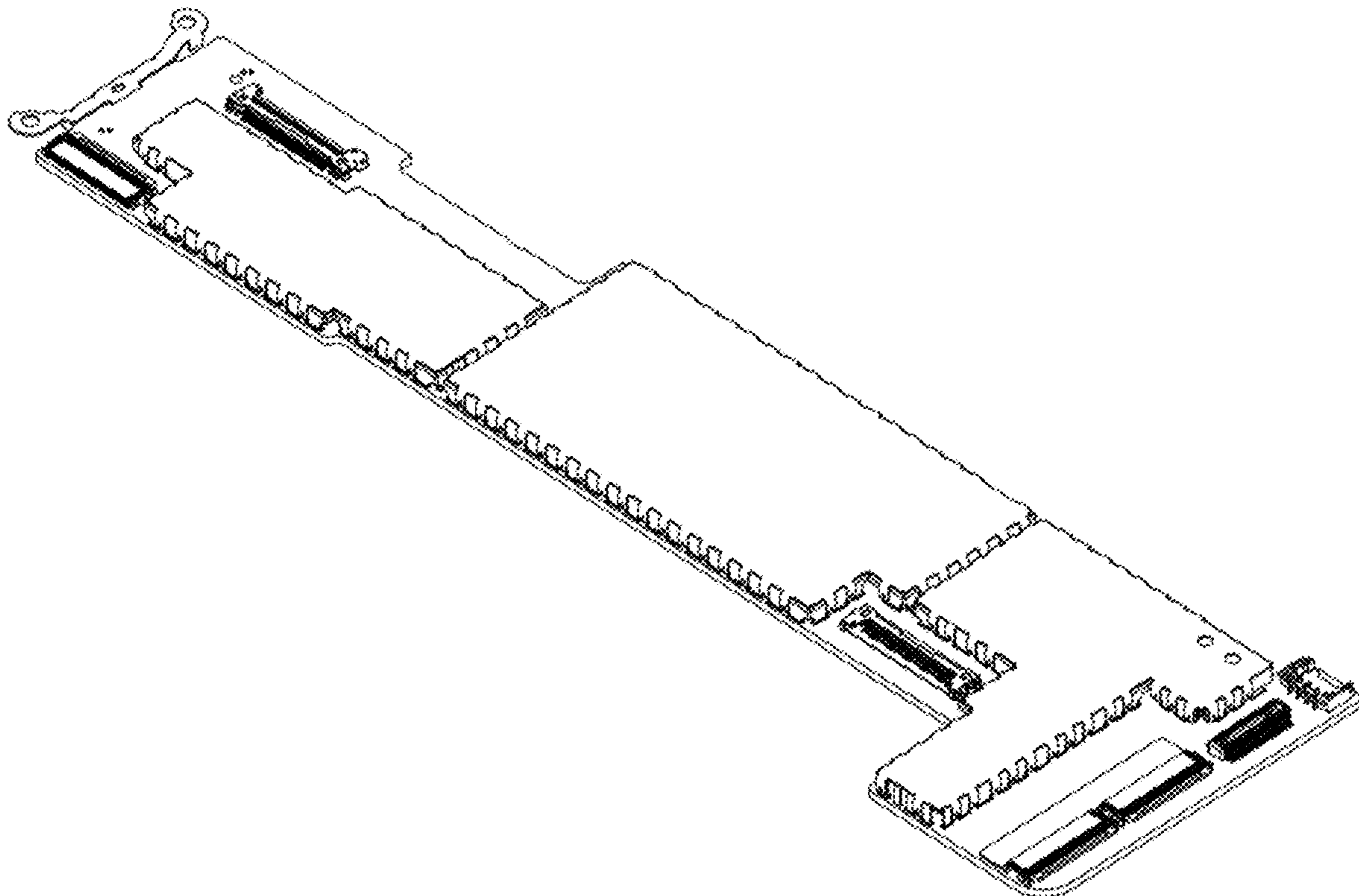
(57) **CLAIM**

The ornamental design for a component of an electronic device, as shown and described.

DESCRIPTION

FIG. 1 is a top front perspective view of a component of an electronic device showing our new design;
FIG. 2 is a front view thereof;
FIG. 3 is a rear view thereof;
FIG. 4 is a left side view thereof;
FIG. 5 is a right side view thereof;
FIG. 6 is a top view thereof; and,
FIG. 7 is a bottom view thereof.

1 Claim, 5 Drawing Sheets



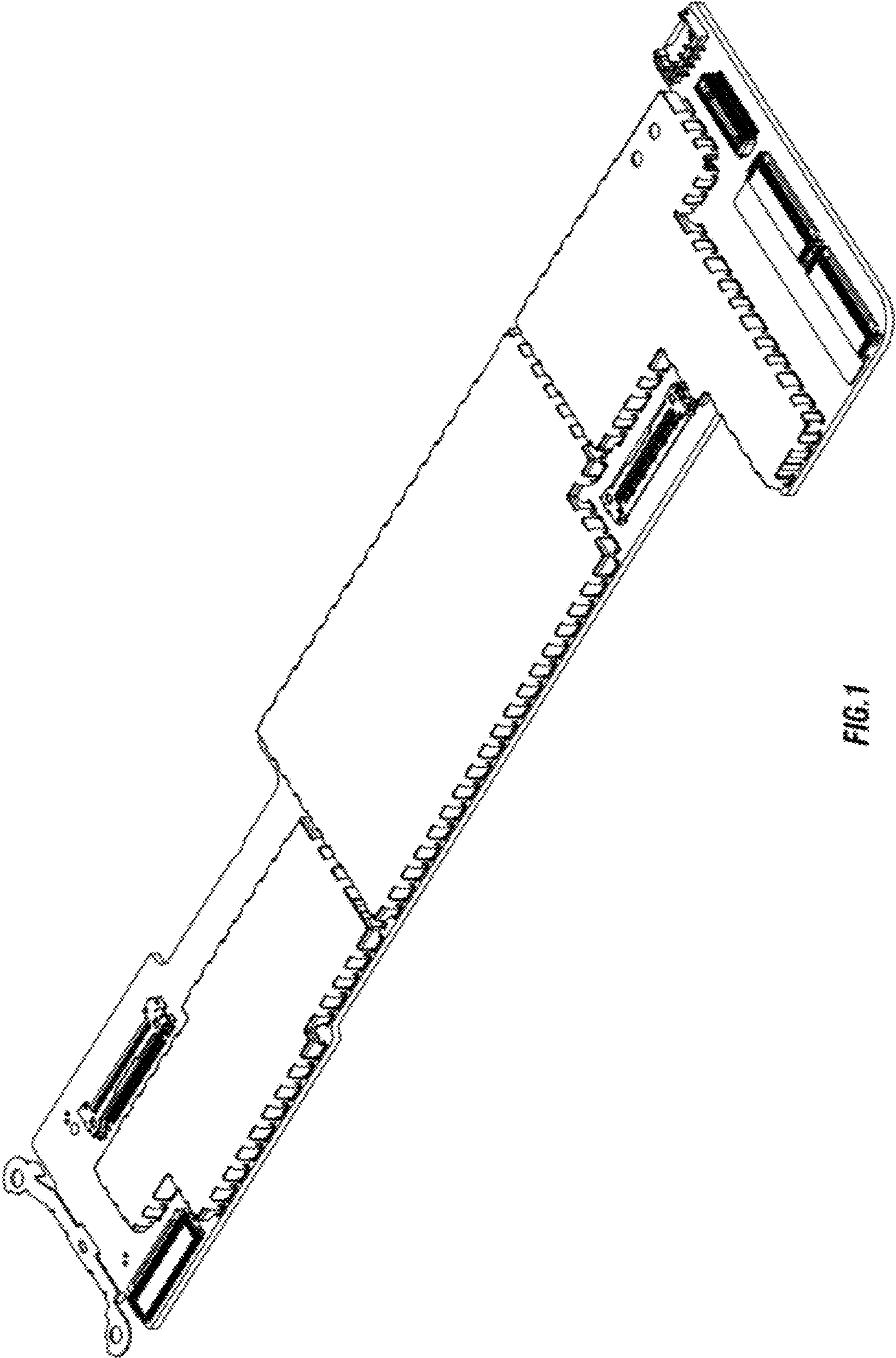


FIG. 1

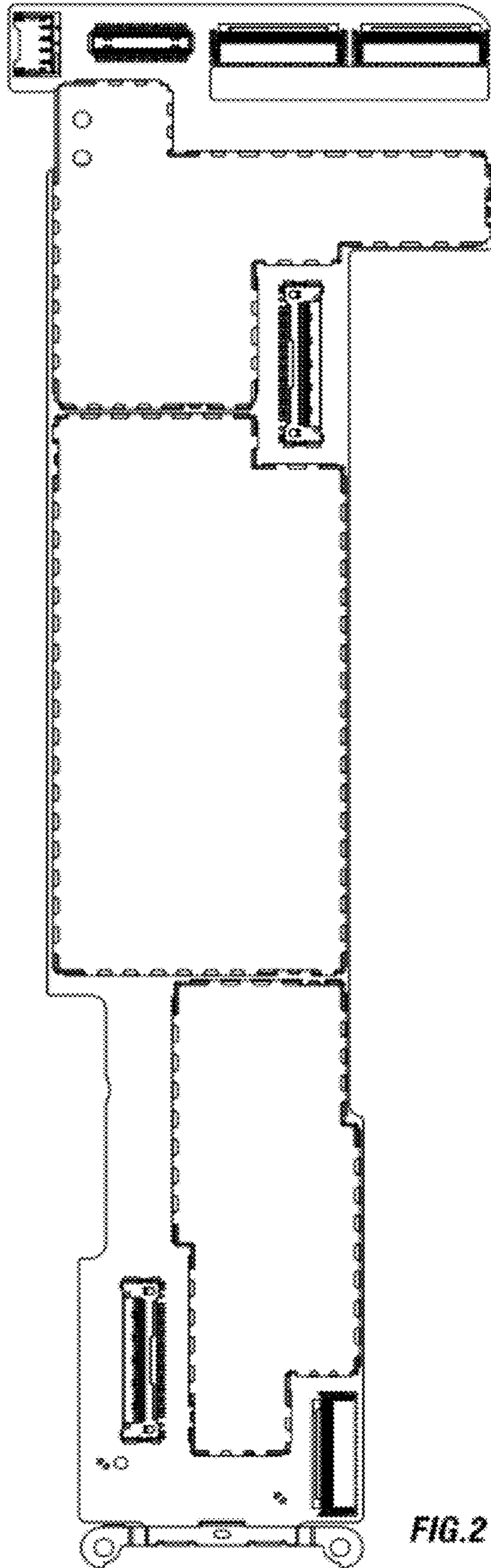


FIG. 2

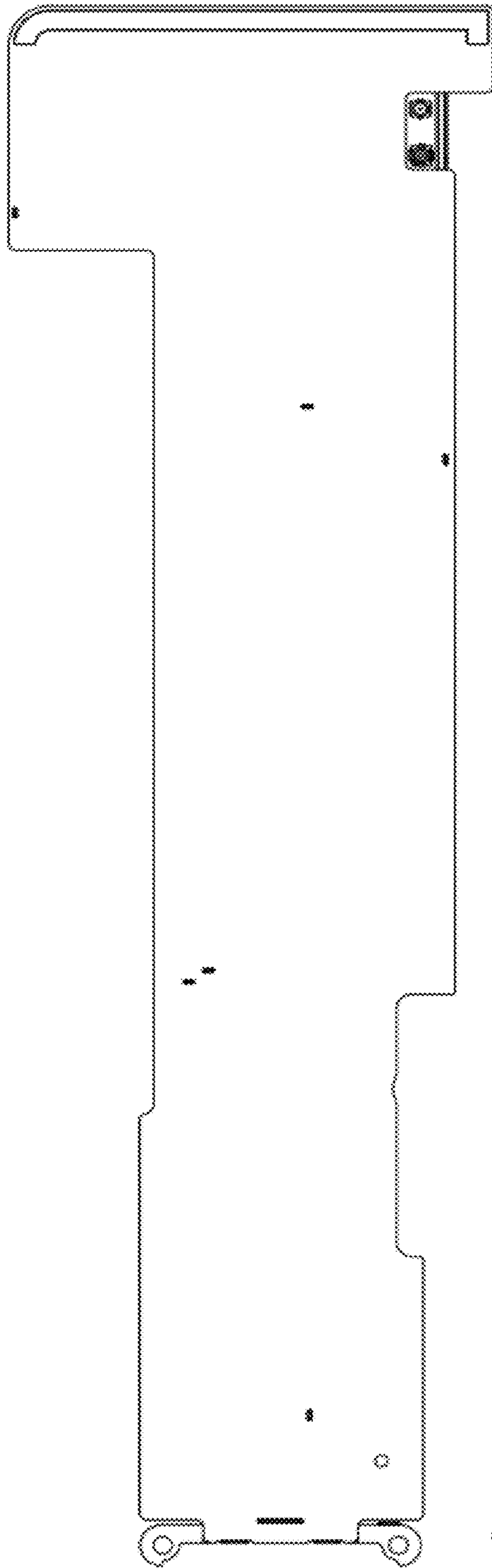


FIG. 3



FIG. 4



FIG. 5



FIG. 6



FIG. 7