



US00D673513S

(12) **United States Design Patent**  
**Aalders et al.**

(10) **Patent No.:** **US D673,513 S**  
(45) **Date of Patent:** **\*\* Jan. 1, 2013**

(54) **BREAK FUSE**  
(75) Inventors: **Arnold Aalders**, Waalwijk (NL); **Joshua Hanson**, Boston, MA (US)  
(73) Assignee: **Koninklijke Philips Electronics N.V.**, Eindhoven (NL)  
(\*\*) Term: **14 Years**  
(21) Appl. No.: **29/406,667**  
(22) Filed: **Nov. 17, 2011**  
(30) **Foreign Application Priority Data**

4,727,350 A \* 2/1988 Ohkubo ..... 338/21  
4,774,488 A \* 9/1988 Field ..... 337/171  
4,972,169 A \* 11/1990 Kalra ..... 337/163  
5,475,357 A \* 12/1995 Chien et al. .... 337/229  
6,806,107 B1 \* 10/2004 Wu ..... 438/18  
7,369,030 B2 \* 5/2008 Darr ..... 337/243  
D657,317 S \* 4/2012 Tanaka et al. .... D13/161

\* cited by examiner

*Primary Examiner* — Thomas Johannes

May 23, 2011 (EM) ..... 001867268-0001  
(51) **LOC (9) Cl.** ..... **13-03**  
(52) **U.S. Cl.** ..... **D13/178; D13/161**  
(58) **Field of Classification Search** ..... D13/154,  
D13/159-161, 173, 178; 439/687; 438/18;  
337/163, 171, 198, 206, 229, 230, 242, 243,  
337/248, 264, 265; 338/21  
See application file for complete search history.

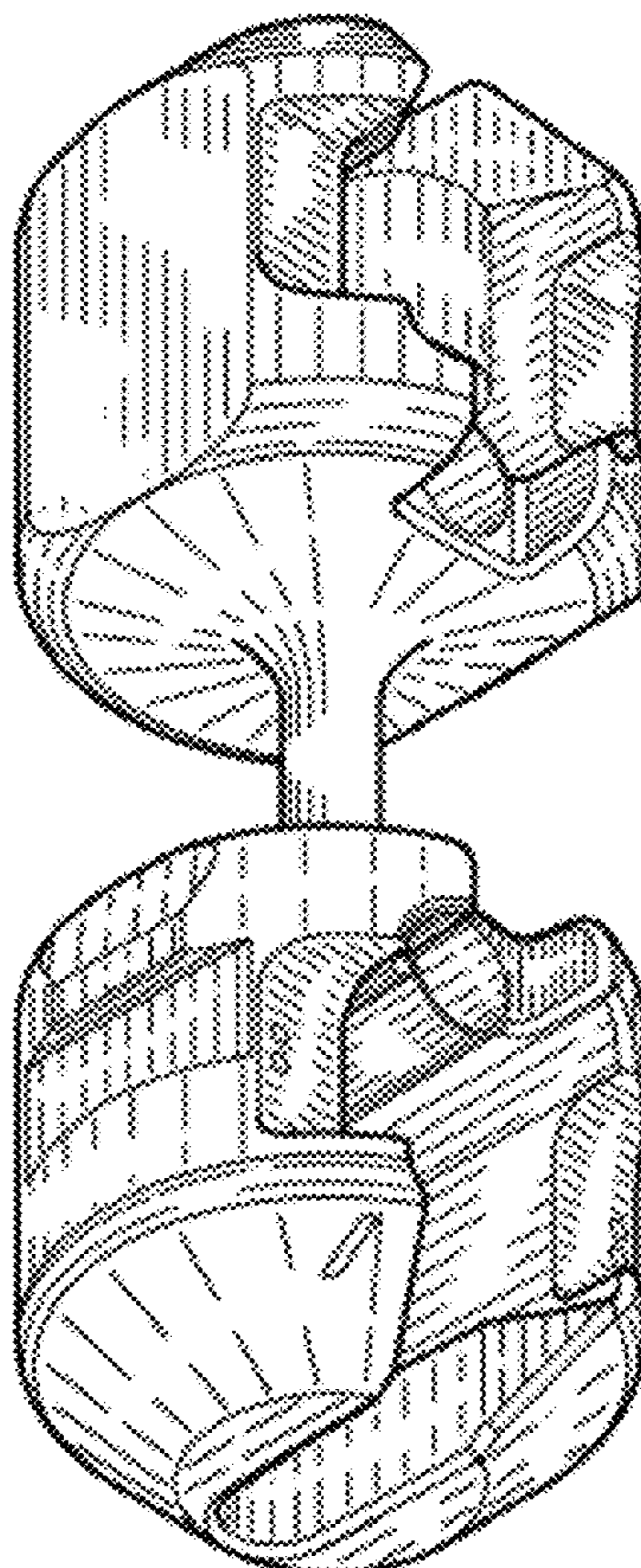
(57) **CLAIM**  
The ornamental design for a break fuse, as shown.

**DESCRIPTION**

FIG. 1 is a perspective view showing my design;  
FIG. 2 is a front elevational view thereof;  
FIG. 3 is a rear elevational view thereof;  
FIG. 4 is a right side elevational view thereof;  
FIG. 5 is a left side elevational view thereof;  
FIG. 6 is a top plan view thereof; and,  
FIG. 7 is a bottom plan view thereof.

(56) **References Cited**  
**U.S. PATENT DOCUMENTS**  
3,864,656 A \* 2/1975 Labelle ..... 337/206  
4,369,422 A \* 1/1983 Rasmussen et al. .... 337/248

**1 Claim, 3 Drawing Sheets**



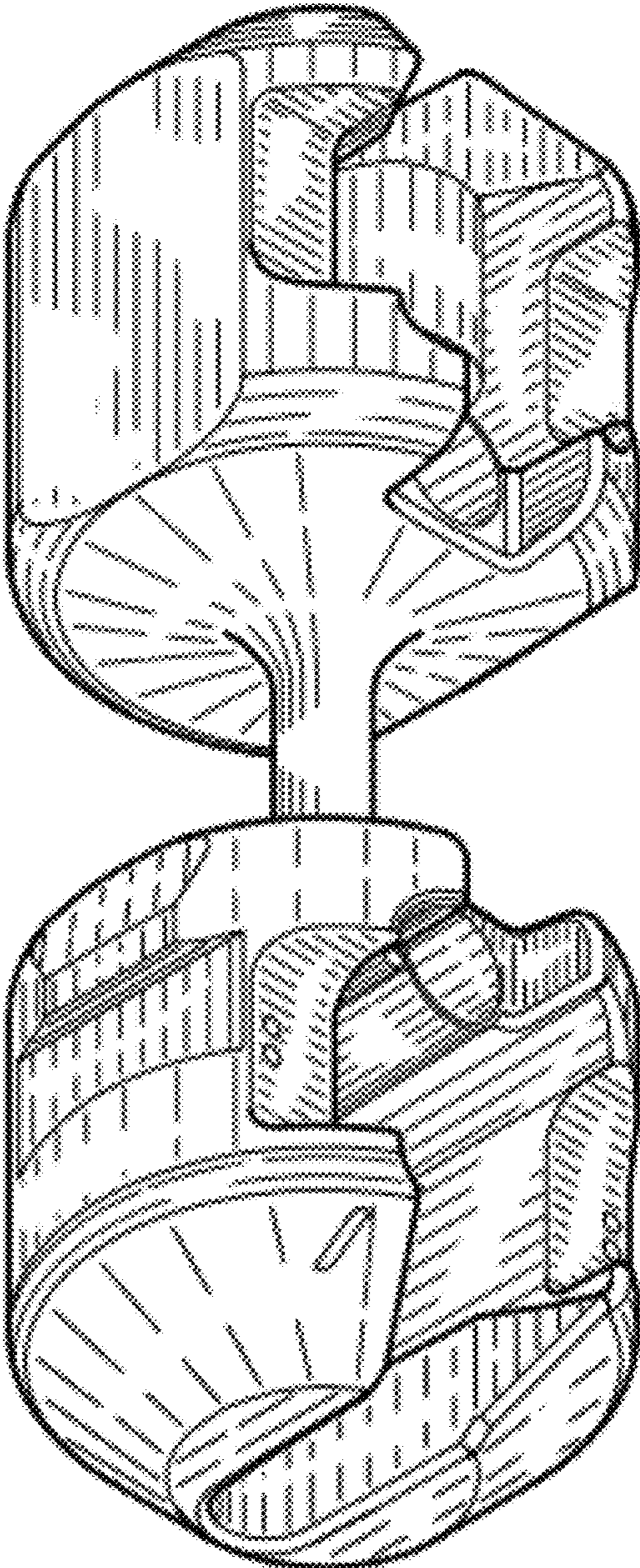


FIG. 1

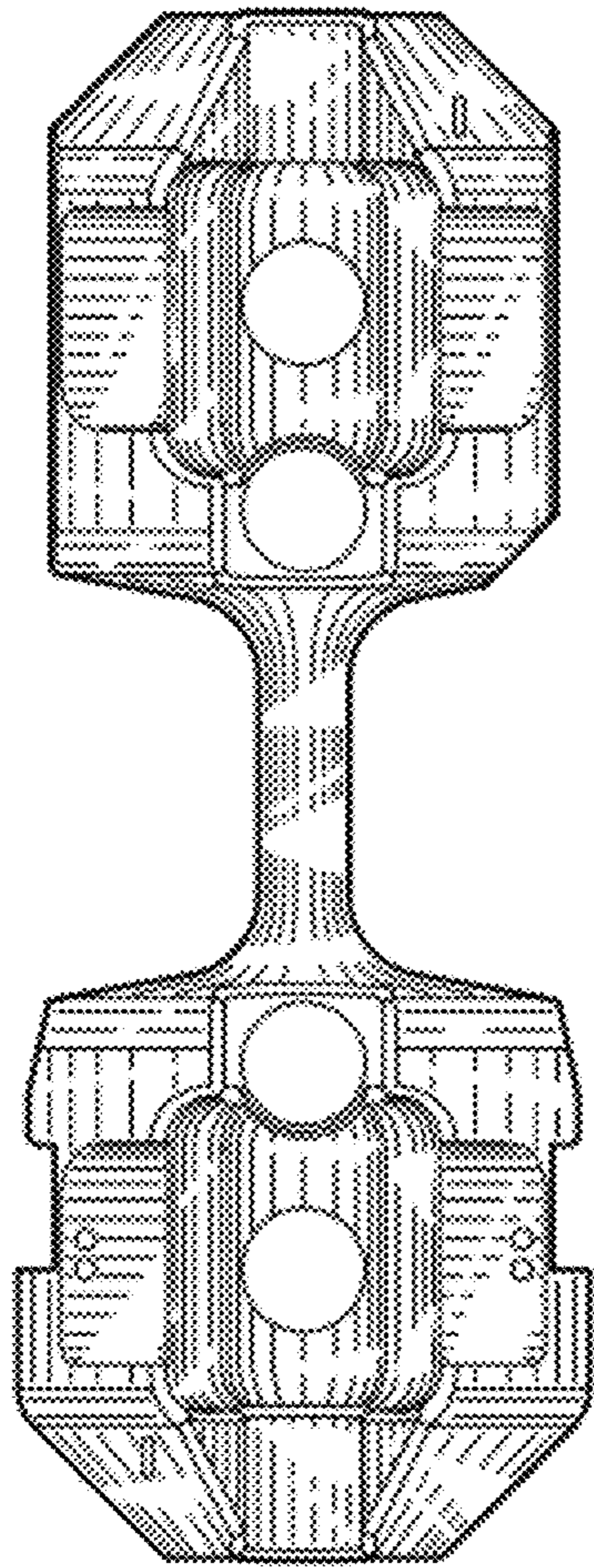


FIG. 2

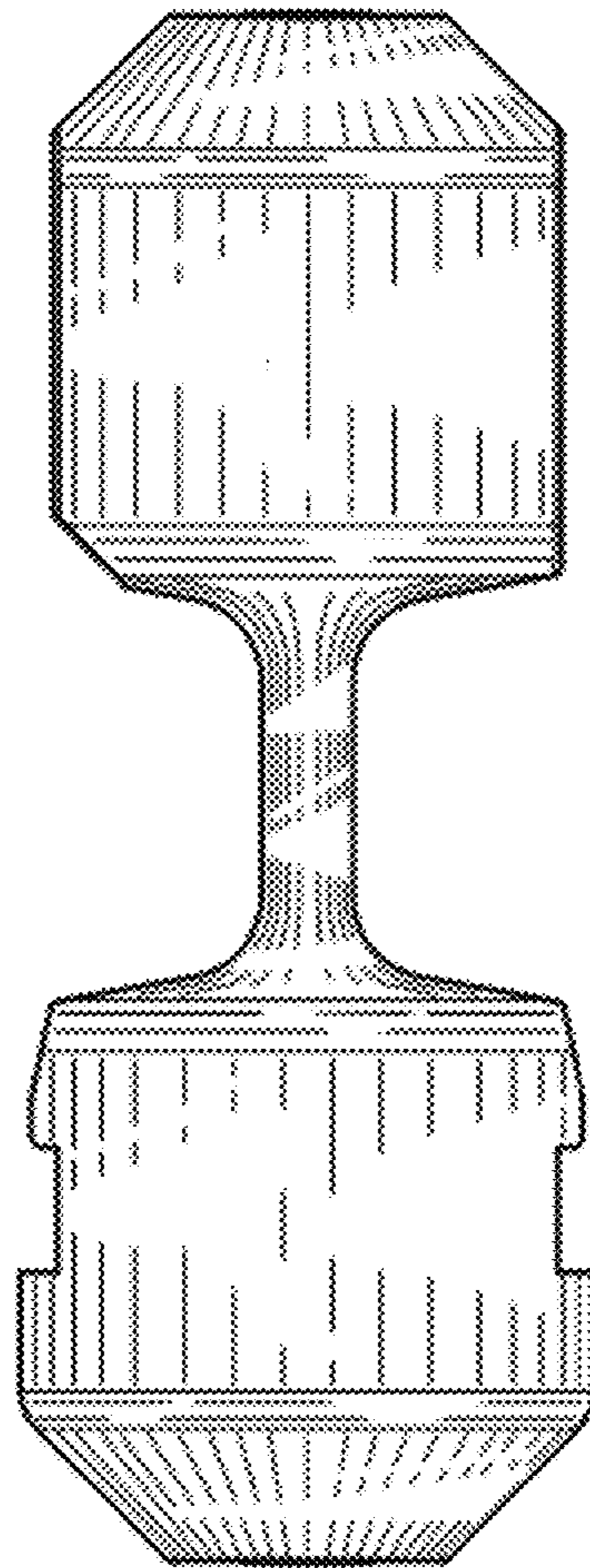


FIG. 3

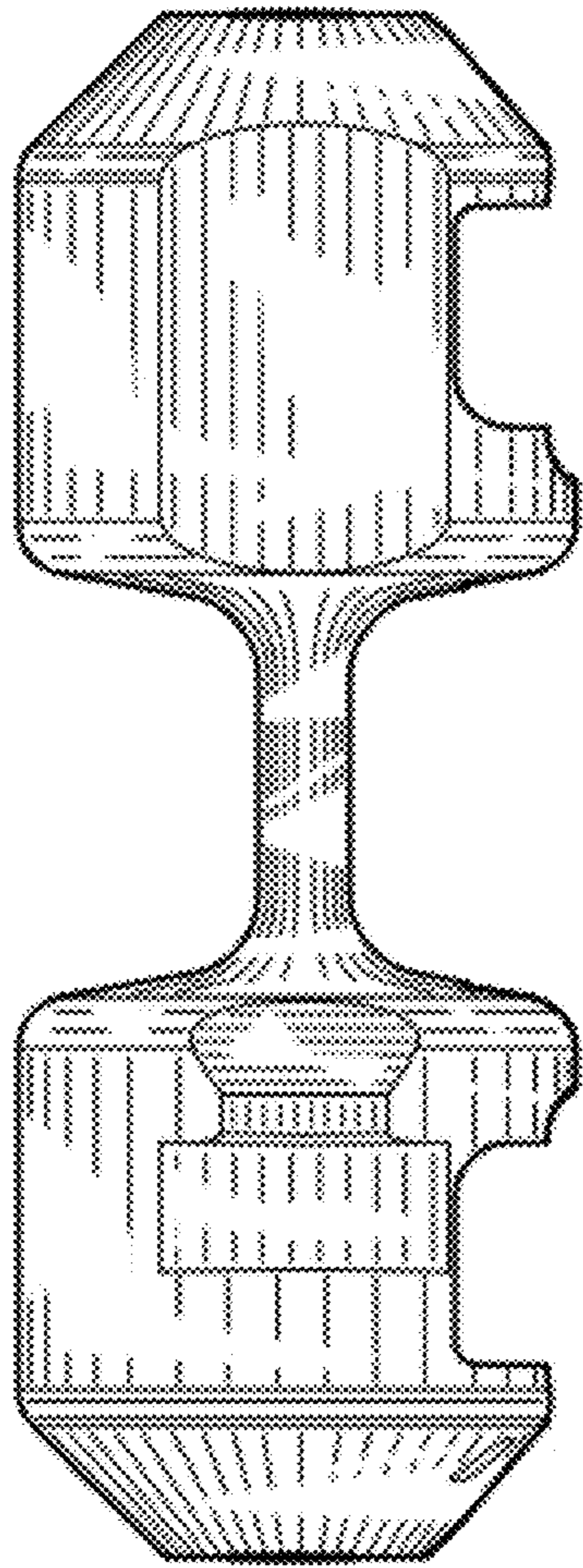


FIG. 4

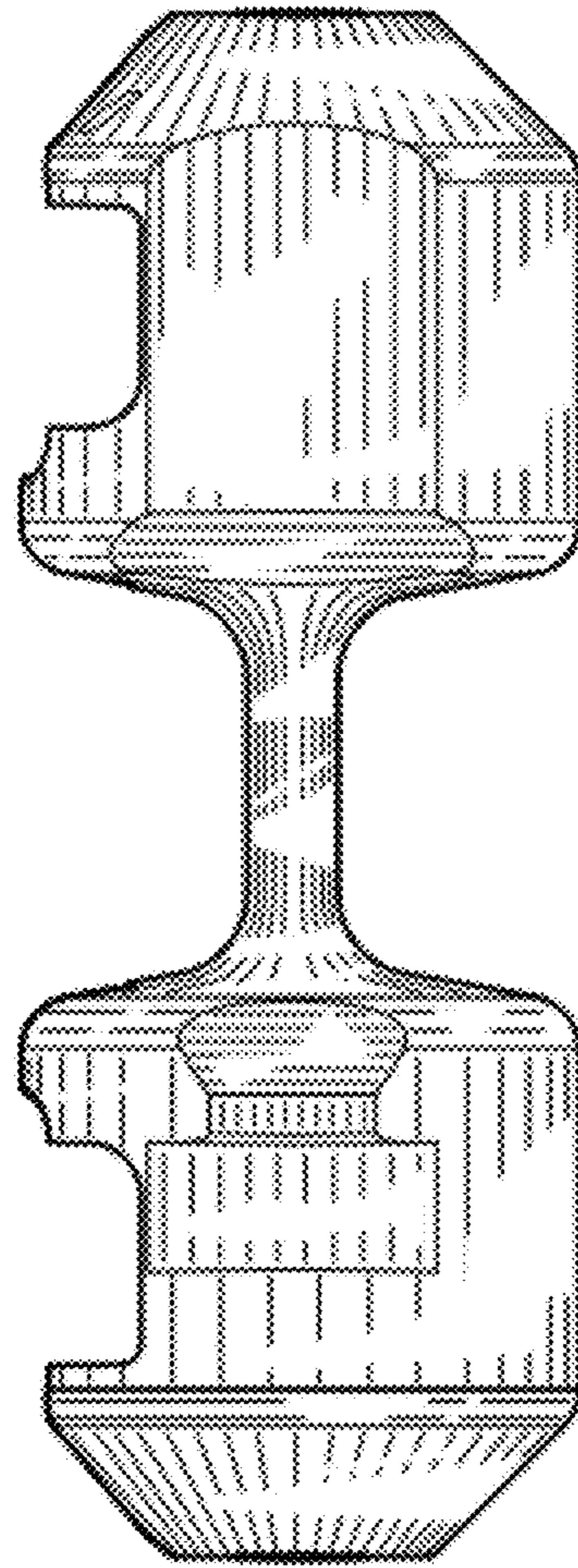


FIG. 5

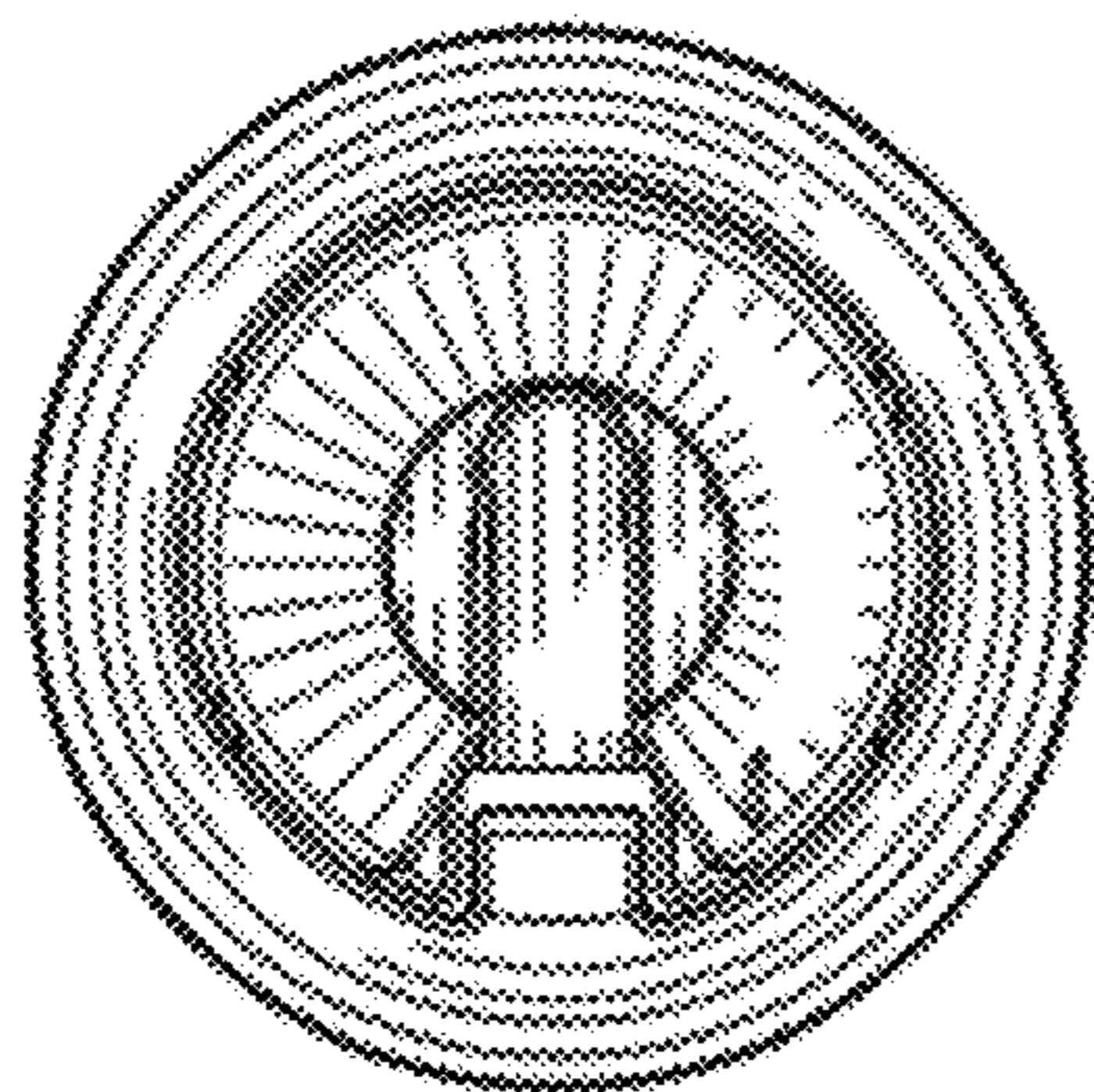


FIG. 6

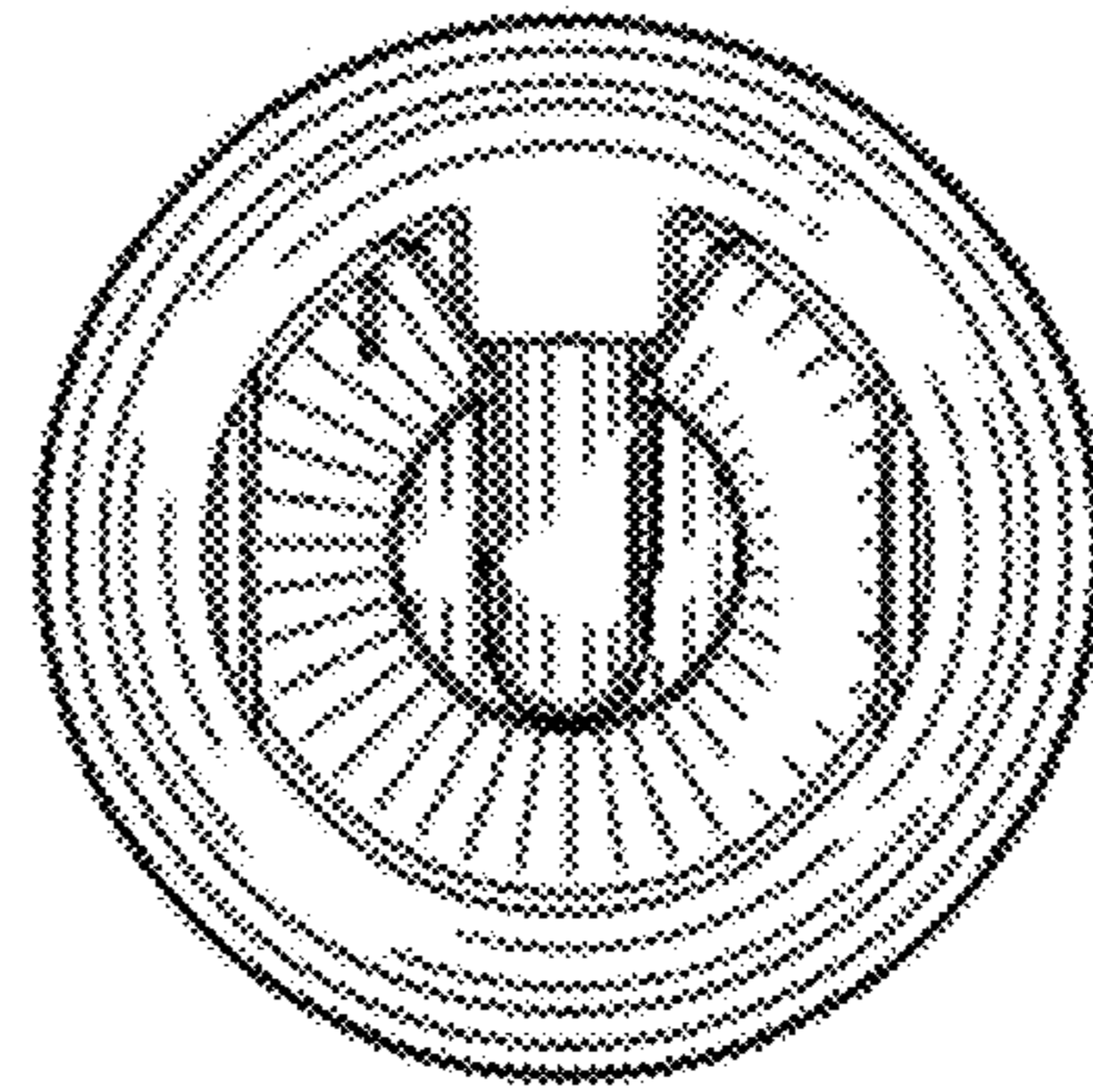


FIG. 7