



US00D673509S

(12) **United States Design Patent**  
**Vanderheyden et al.**

(10) **Patent No.:** **US D673,509 S**  
(45) **Date of Patent:** **\*\* Jan. 1, 2013**

(54) **CONTACTOR HOUSING**

(75) Inventors: **Jacob Peter Vanderheyden**, Austin, TX (US); **Cyril Adair Keilers**, Round Rock, TX (US); **Anthony William Gatica**, Cedar Park, TX (US); **Mark William Foohey**, Austin, TX (US); **Hector Rodriguez**, Austin, TX (US); **Vincent Lam**, Austin, TX (US)

(73) Assignee: **Emerson Climate Technologies, Inc.**, Sidney, OH (US)

(\*\*) Term: **14 Years**

(21) Appl. No.: **29/411,541**

(22) Filed: **Jan. 23, 2012**

(51) **LOC (9) Cl.** ..... **13-03**

(52) **U.S. Cl.** ..... **D13/159**

(58) **Field of Classification Search** ..... D13/158, D13/159, 160, 162, 184, 199; 200/43.14, 200/50.01, 50.21-50.23; 361/42, 44, 50, 361/71, 115, 608, 634

See application file for complete search history.

(56) **References Cited**

**U.S. PATENT DOCUMENTS**

D409,154 S \* 5/1999 Chudoba et al. .... D13/160  
D427,976 S \* 7/2000 Douglass et al. .... D13/160  
D541,754 S \* 5/2007 Sasaki et al. .... D13/159  
D613,253 S \* 4/2010 Yamanaka ..... D13/158

D621,792 S \* 8/2010 Miller et al. .... D13/162  
D656,903 S \* 4/2012 Suzuki et al. .... D13/159  
D656,904 S \* 4/2012 Suzuki et al. .... D13/159  
2011/0069449 A1 \* 3/2011 Miller et al. .... 361/692

\* cited by examiner

*Primary Examiner* — Thomas Johannes

(74) *Attorney, Agent, or Firm* — Harness, Dickey & Pierce, P.L.C.

(57) **CLAIM**

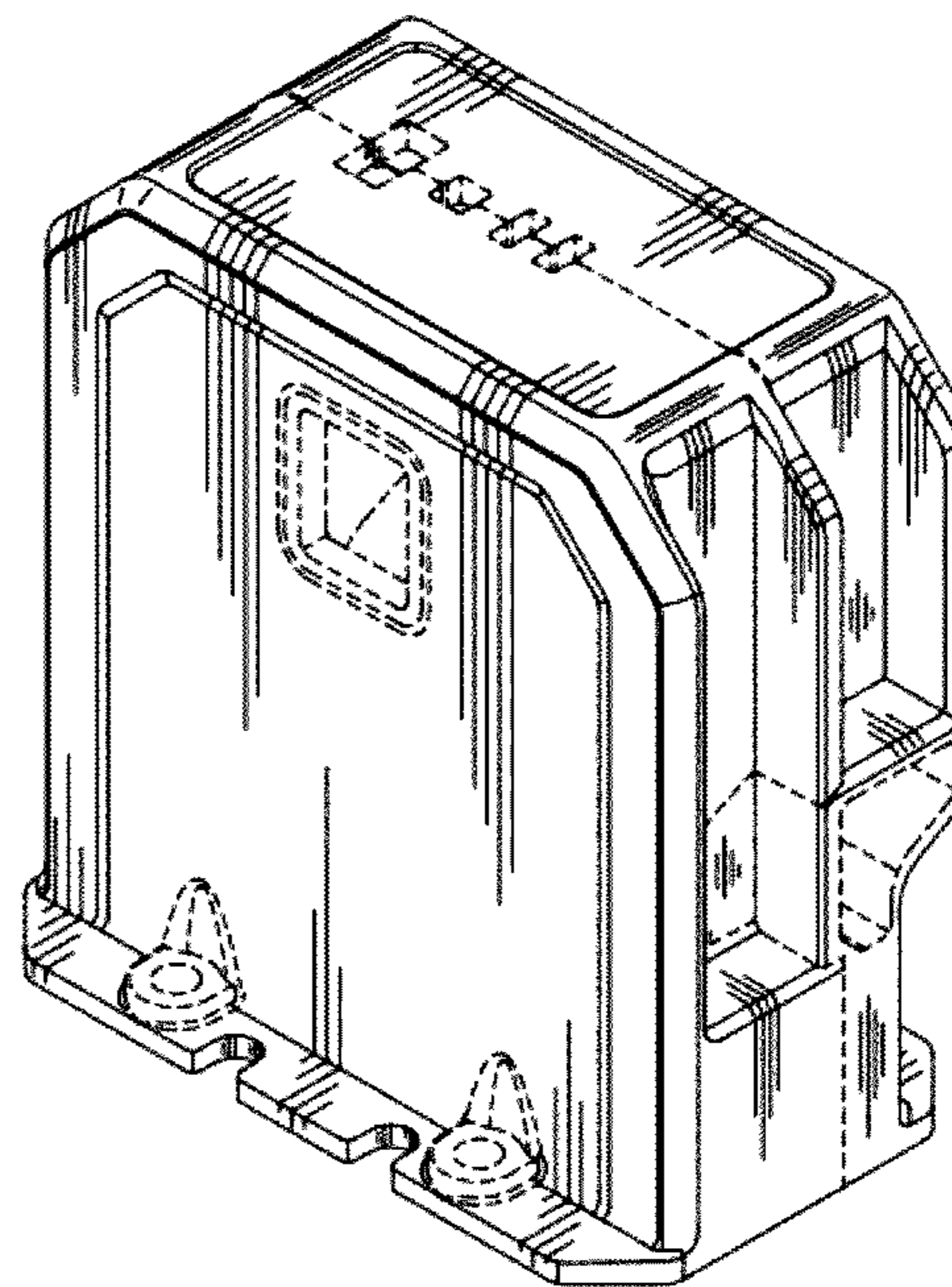
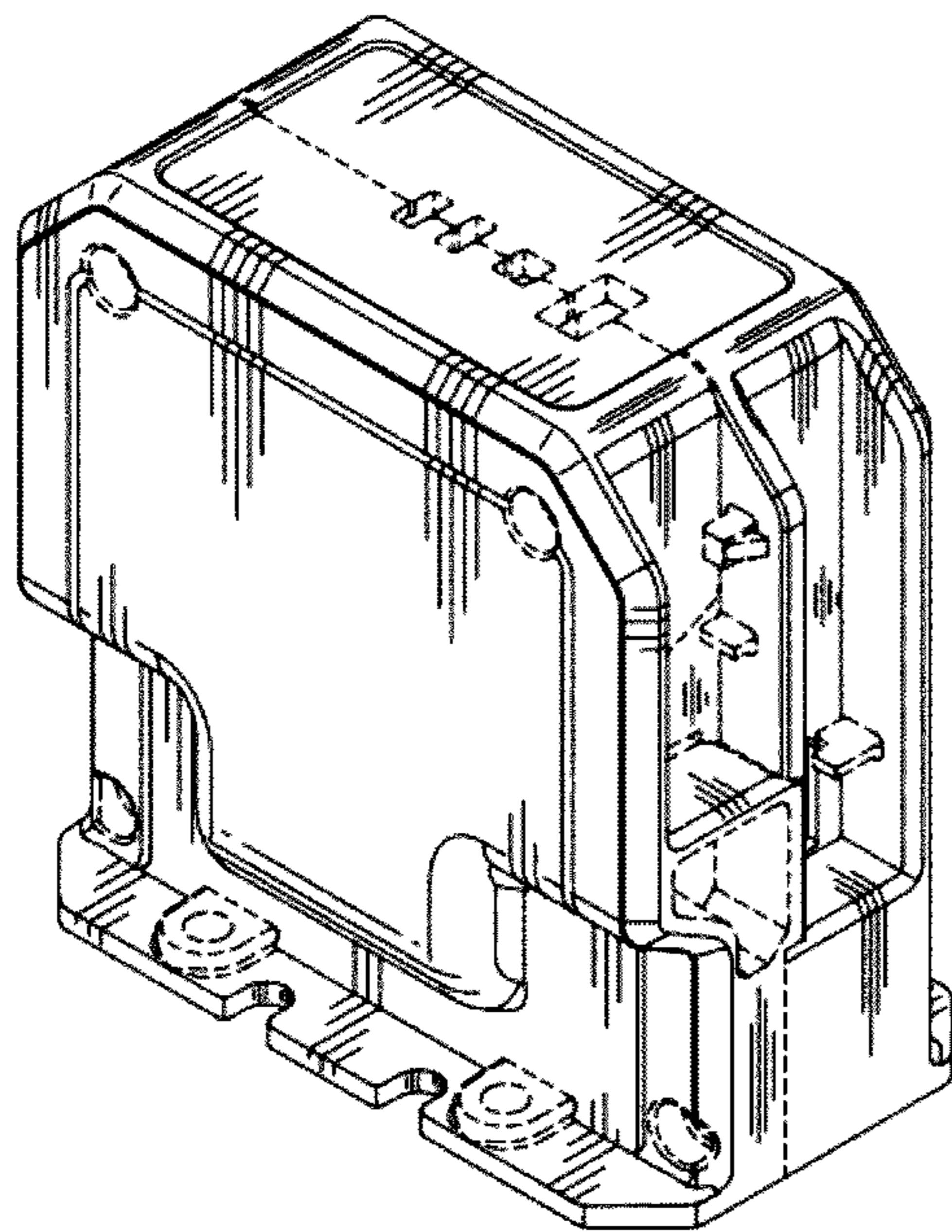
The ornamental design for a contactor housing, as shown and described.

**DESCRIPTION**

FIG. 1 is a front left perspective view of a contactor housing in accordance with the design;  
FIG. 2 is a rear right perspective view thereof;  
FIG. 3 is a left side elevation thereof;  
FIG. 4 is a right side elevation thereof;  
FIG. 5 is a front elevation thereof;  
FIG. 6 is a rear elevation thereof; and,  
FIG. 7 is a top plan view thereof, the bottom plan view thereof is not illustrated as it forms no part of the claimed subject matter.

It is to be understood that the portions of the contactor housing shown in broken line in the accompanying figures show unclaimed subject matter and form no part of the claimed subject matter.

**1 Claim, 4 Drawing Sheets**



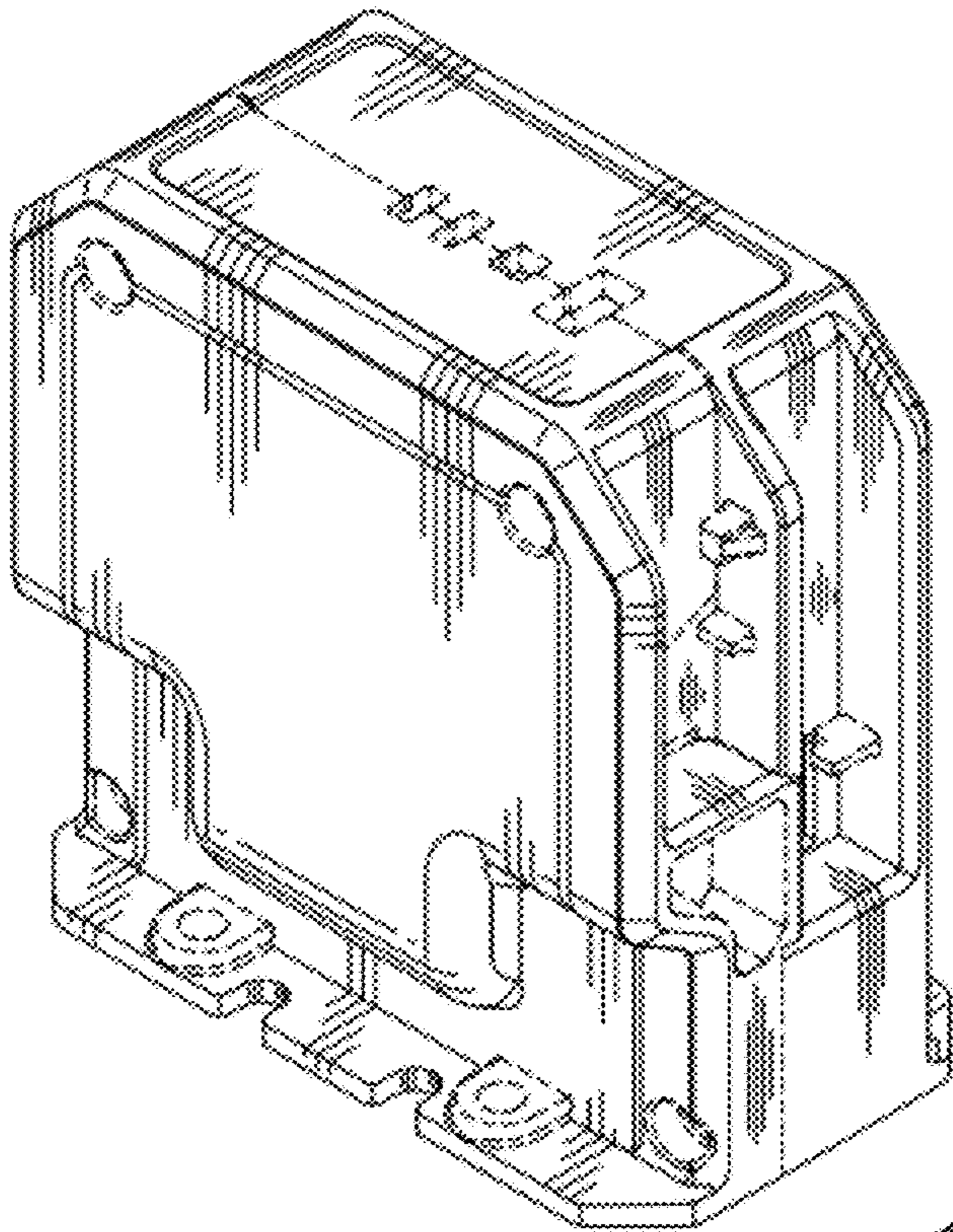


Fig-1

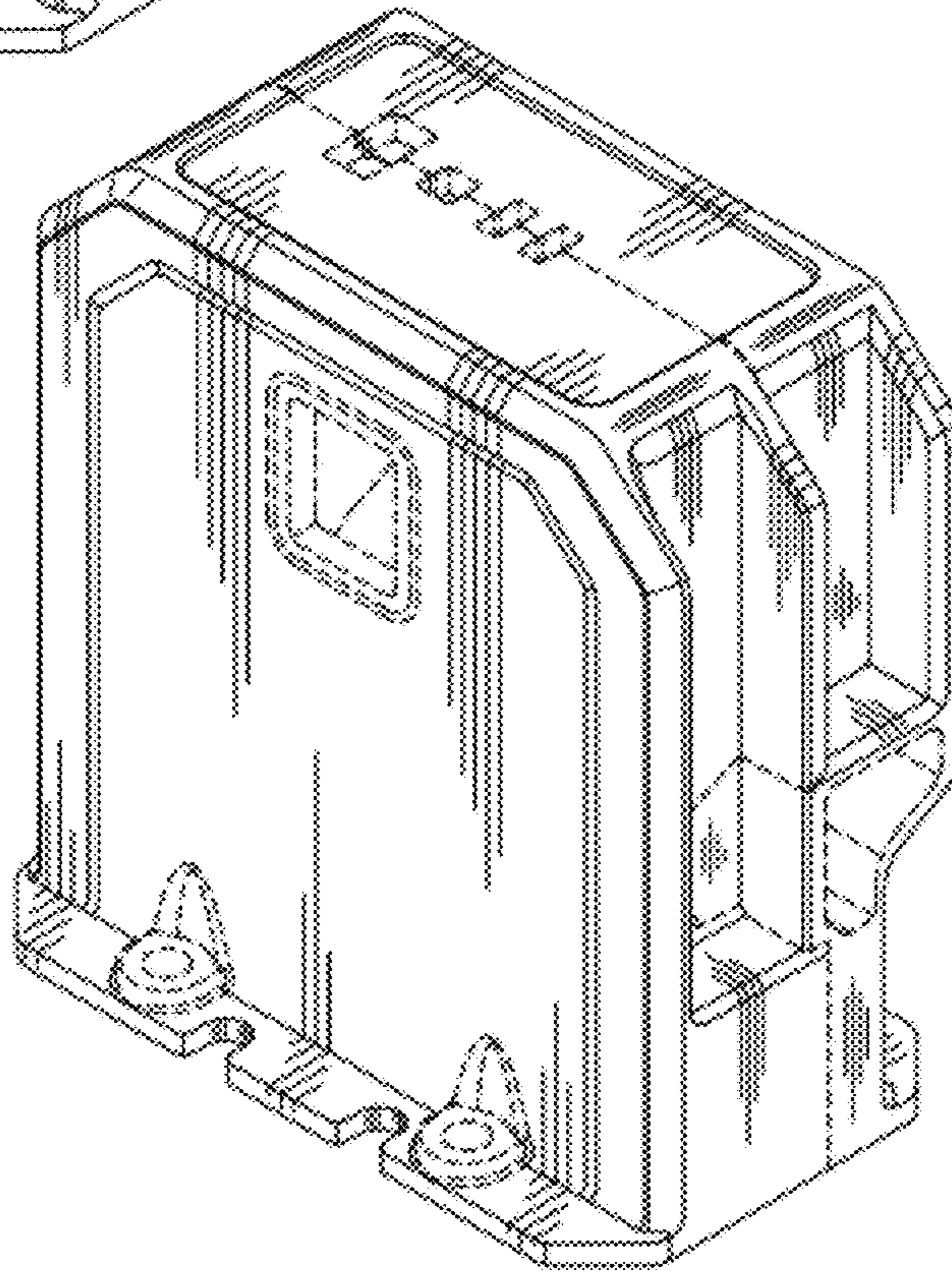


Fig-2

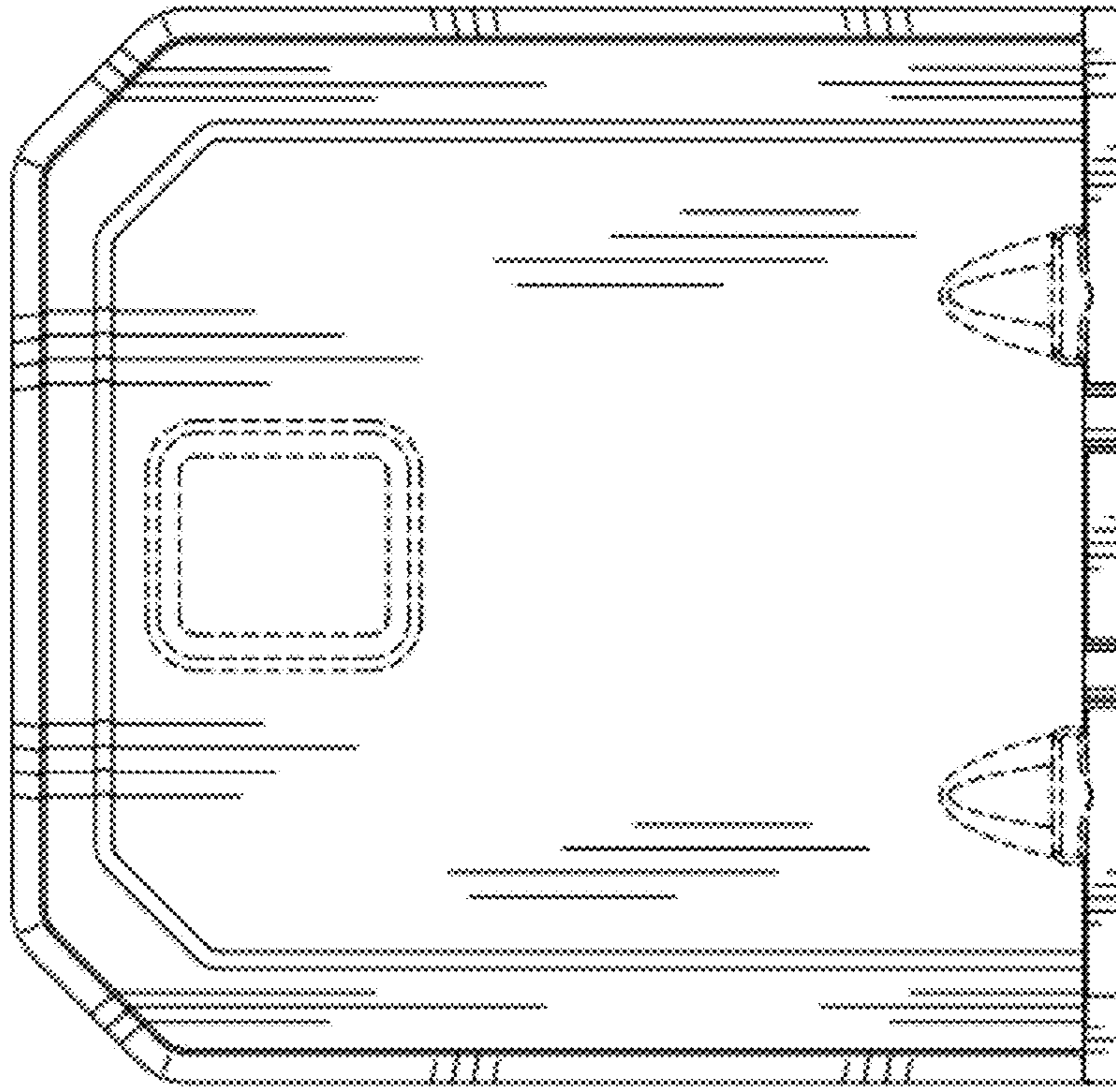


Fig -3

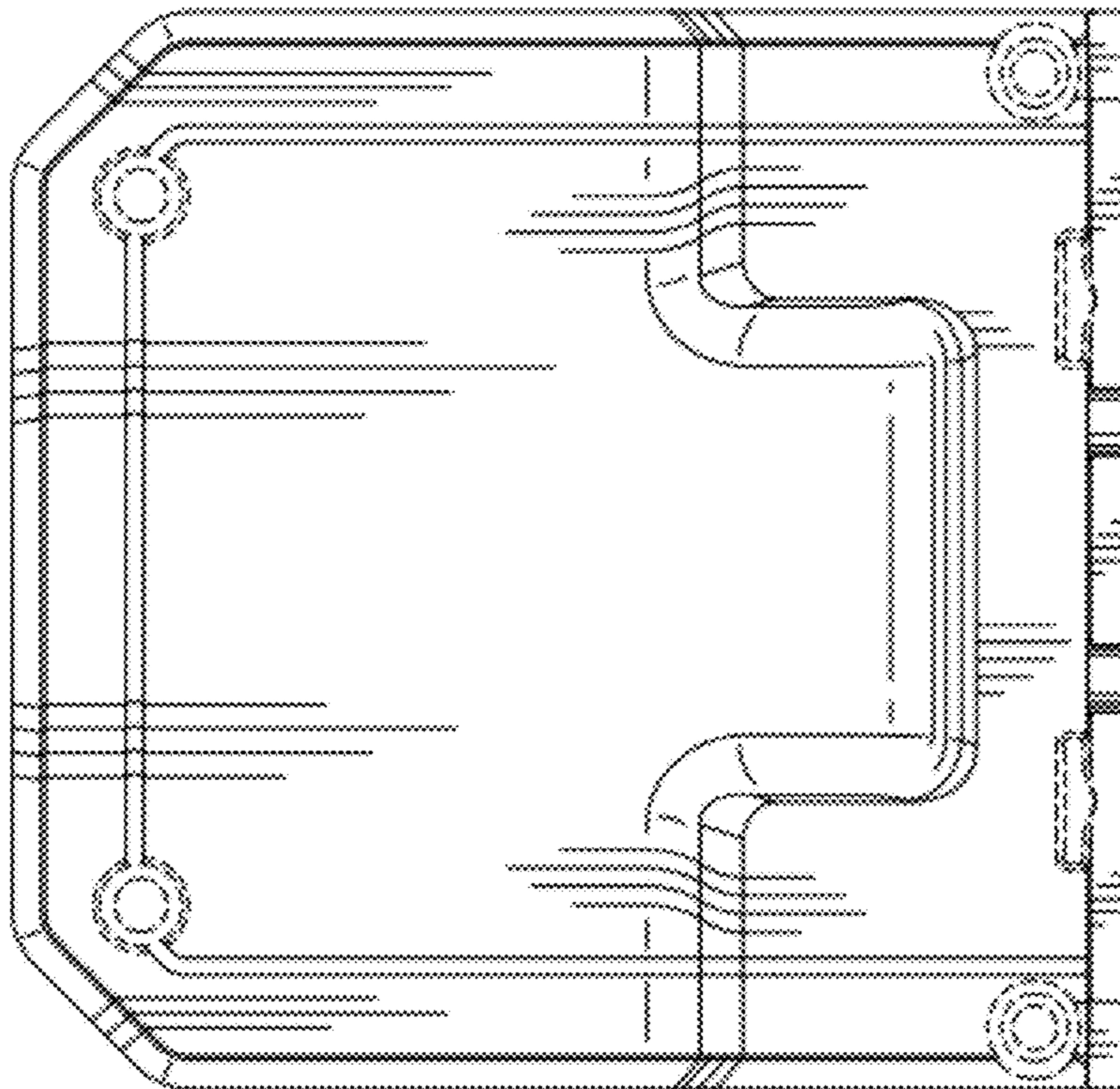


Fig -4

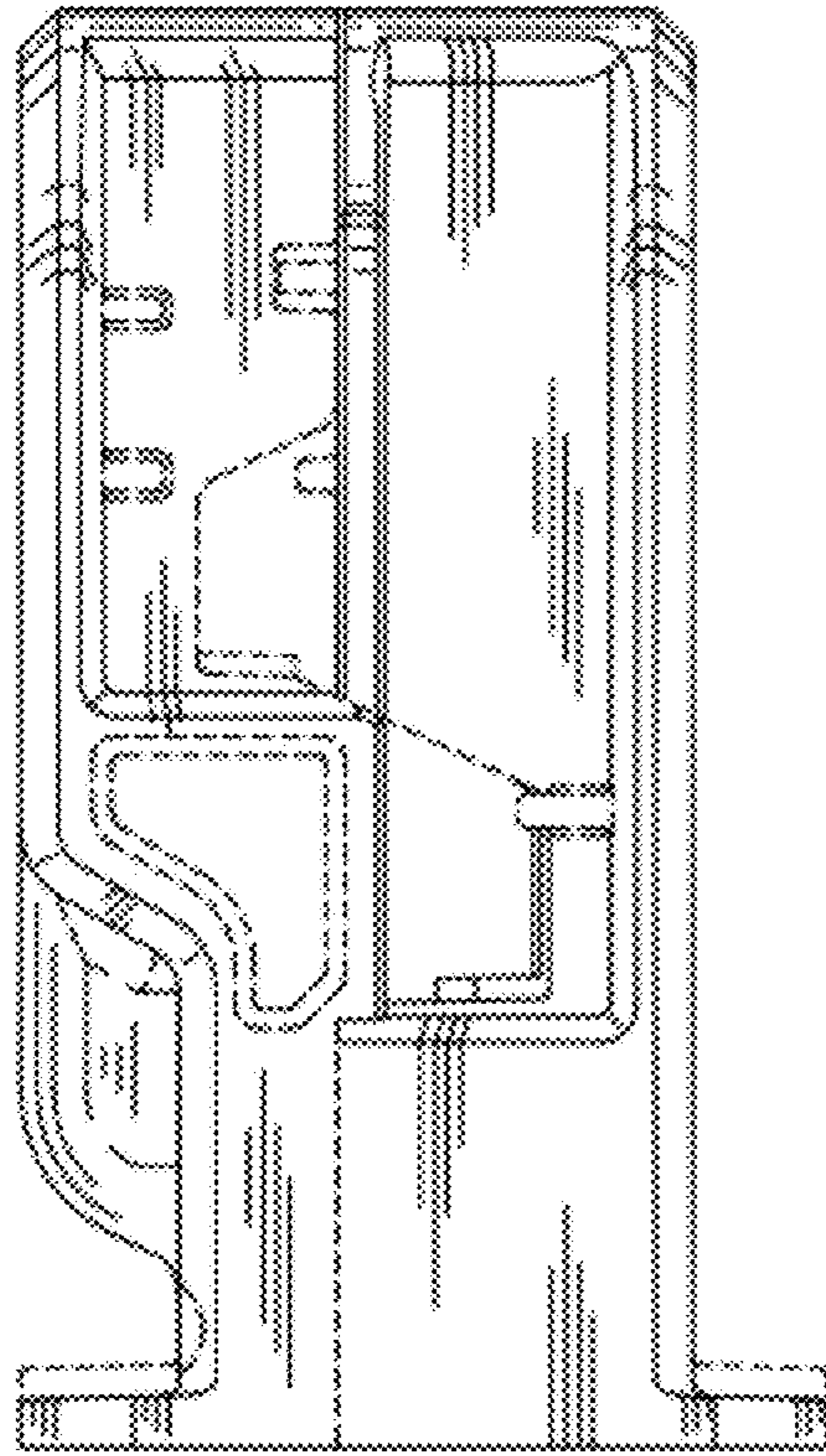


Fig-5

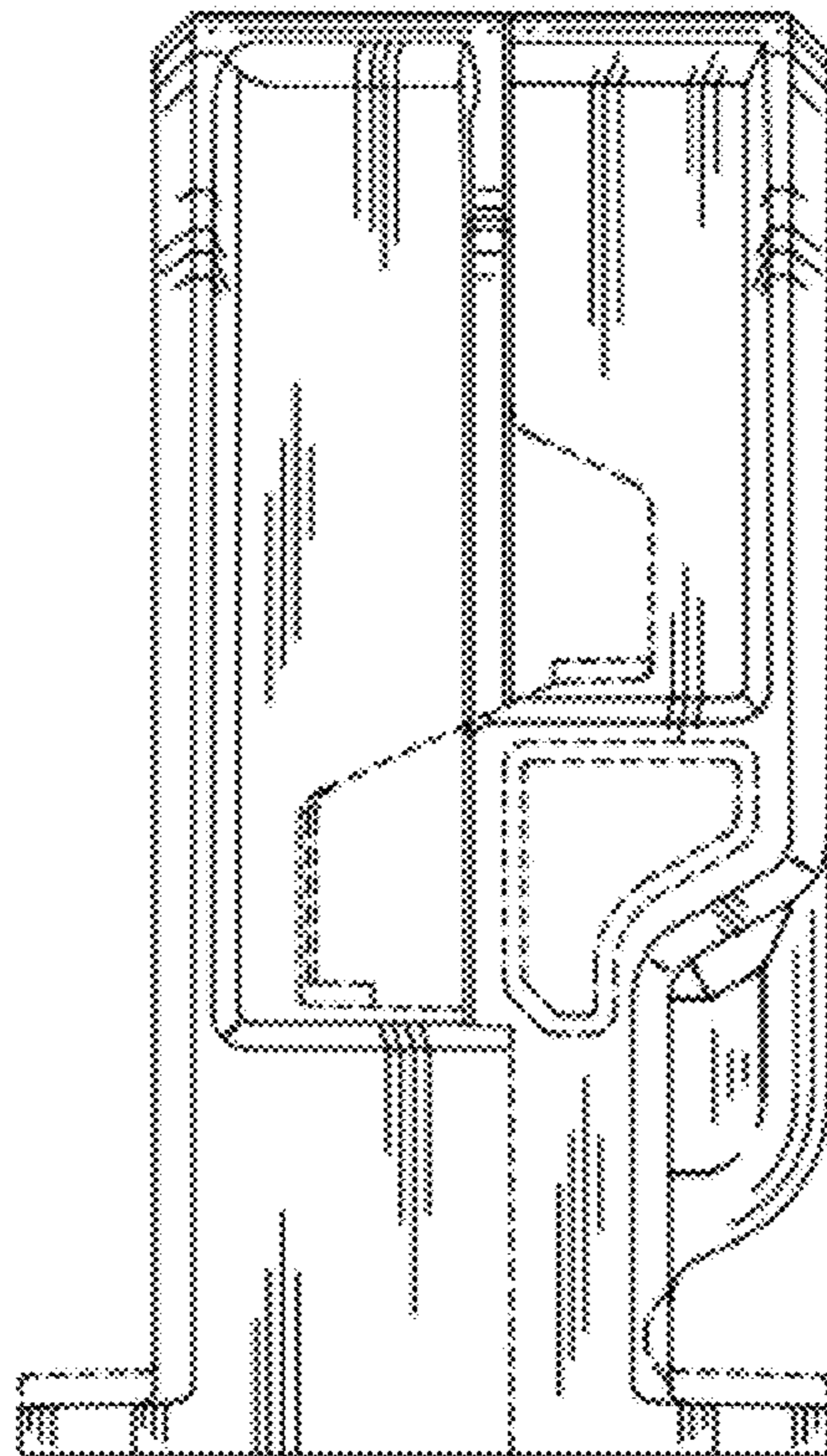


Fig-6

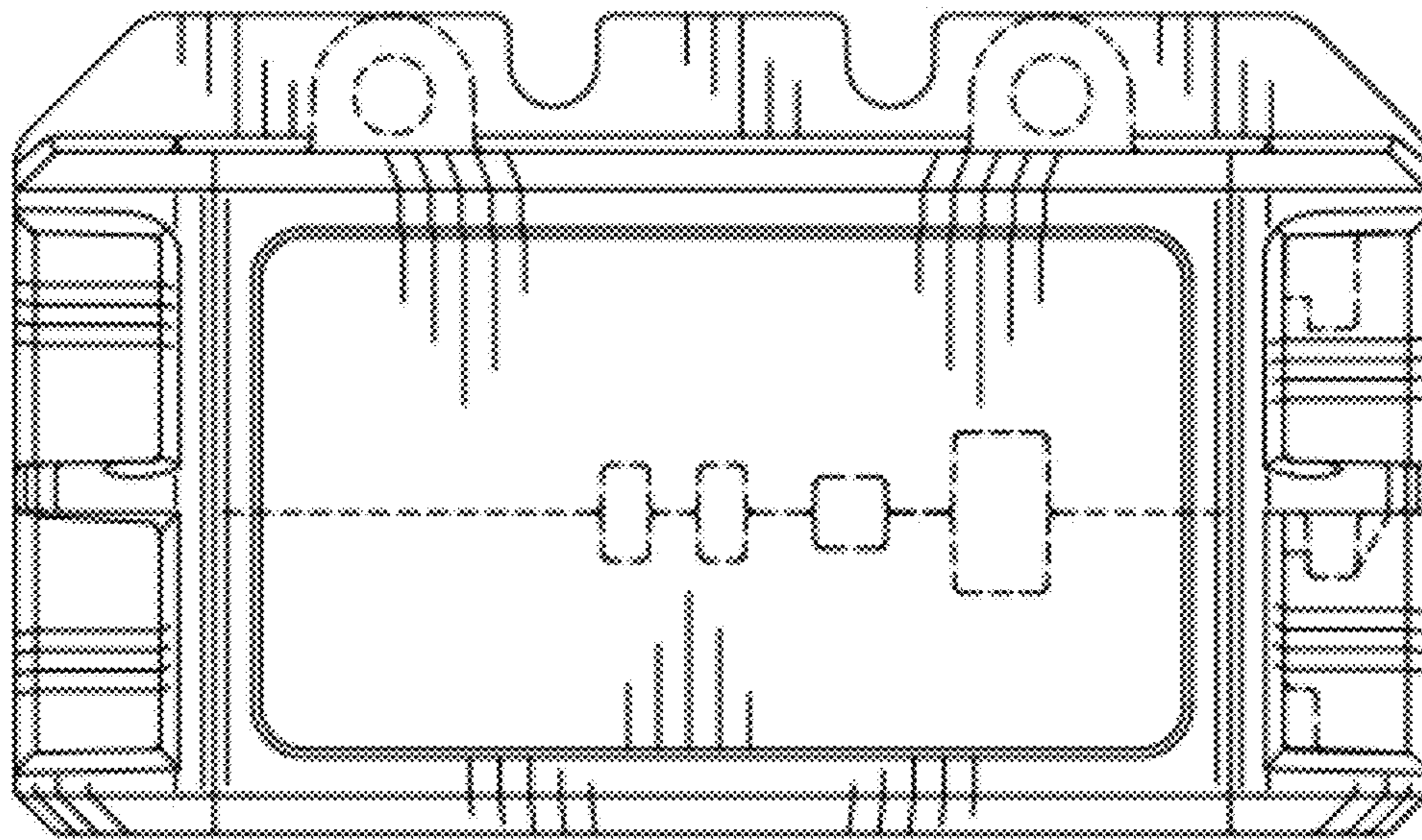


Fig-7