



US00D673504S

(12) **United States Design Patent**
Esses

(10) **Patent No.:** **US D673,504 S**
(45) **Date of Patent:** **** Jan. 1, 2013**

- (54) **USB POWER ADAPTOR**
- (75) Inventor: **Alfred Esses**, Brooklyn, NY (US)
- (73) Assignee: **Premier Accessory Group LLC**, Long Island City, NY (US)
- (**) Term: **14 Years**
- (21) Appl. No.: **29/423,097**
- (22) Filed: **May 29, 2012**
- (51) **LOC (9) Cl.** **13-03**
- (52) **U.S. Cl.** **D13/144**
- (58) **Field of Classification Search** D13/144,
D13/101, 107, 108, 110, 118, 119, 133, 184,
D13/199; D14/155, 432, 434, 435.1, 356,
D14/480.1, 480.7; 320/107, 108, 109, 110,
320/111, 112, 113, 114, 115; 439/300, 620.01,
439/638, 668, 669, 675, 825; 363/146
See application file for complete search history.

D652,384 S	1/2012	Lee	
D653,208 S	1/2012	Au	
D653,614 S	2/2012	Au	
D653,615 S	2/2012	Au	
D654,020 S	2/2012	Au	
D654,872 S	2/2012	Au	
D654,873 S	2/2012	Au	
D654,874 S	2/2012	Au	
D654,875 S	2/2012	Au	
D655,243 S	3/2012	Au	
D655,244 S	3/2012	Au	
D655,676 S	3/2012	Au	
D656,465 S	3/2012	Au	
D656,896 S	4/2012	Fung	
2009/0315513 A1 *	12/2009	Mkhitarian	320/114
2012/0021639 A1	1/2012	Serrano	

* cited by examiner

Primary Examiner — Derrick Holland
(74) *Attorney, Agent, or Firm* — Gottlieb, Rackman & Reisman, P.C.

(57) **CLAIM**
The ornamental design for a USB power adaptor, as shown and described.

(56) **References Cited**

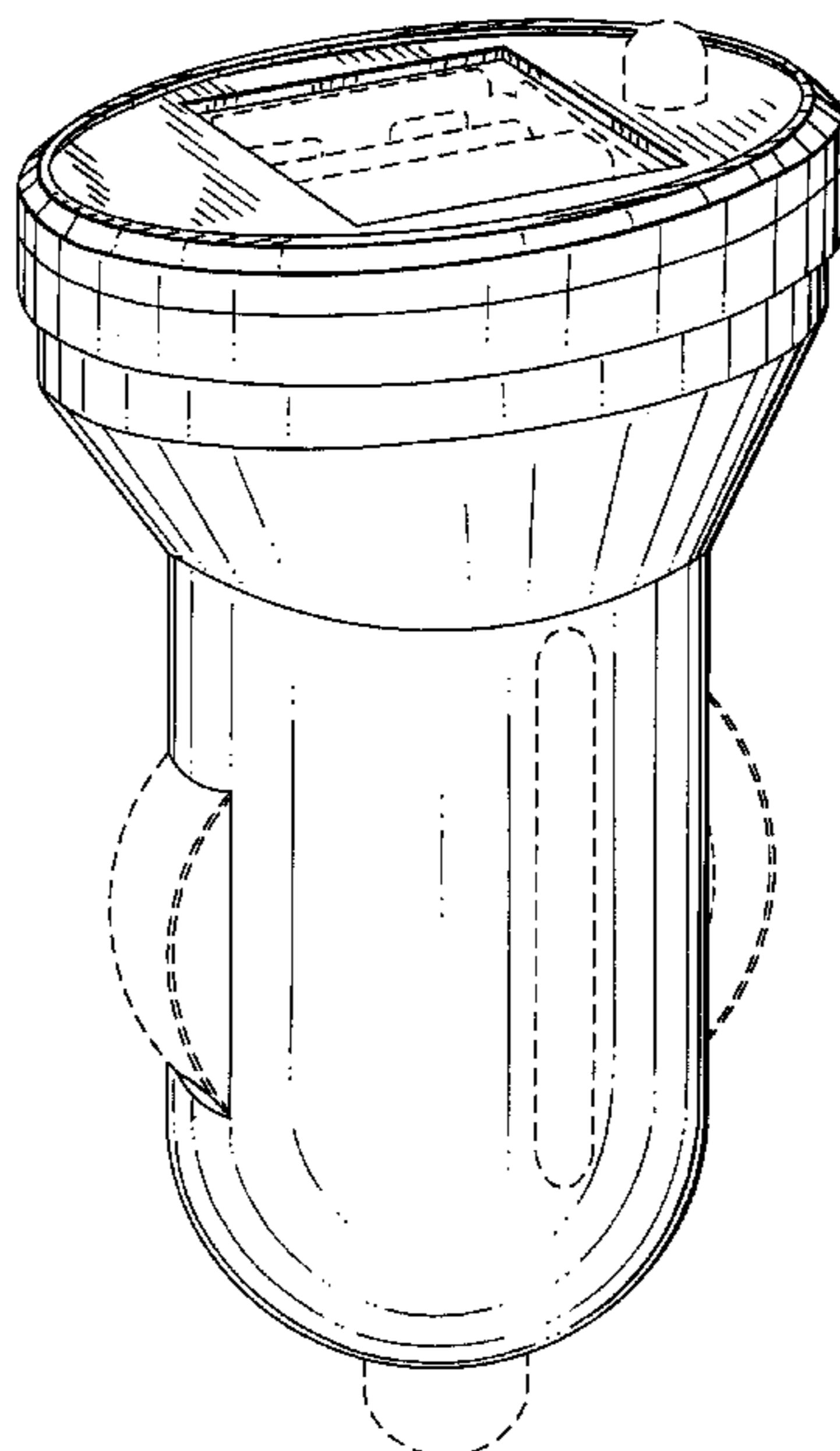
U.S. PATENT DOCUMENTS

6,612,875 B1 *	9/2003	Liao	439/675
D604,699 S	11/2009	Yomamoto	
D620,441 S *	7/2010	Hou	D13/144
D622,218 S	8/2010	Tseng et al.	
D624,500 S	9/2010	Chan	
D624,879 S	10/2010	Chan	
D625,267 S	10/2010	Tseng	
D625,689 S	10/2010	Chan	
D625,690 S	10/2010	Chan	
D626,072 S	10/2010	Tseng	
D627,784 S	11/2010	Yamamoto	
D631,837 S *	2/2011	Smith et al.	D13/108
D631,869 S	2/2011	Tomamoto	
D633,046 S	2/2011	Au	
D639,238 S	6/2011	Serrano	

DESCRIPTION

FIG. 1 is a perspective view of a USB power adaptor having the design of my invention;
FIG. 2 is a top plan view thereof;
FIG. 3 is a front view thereof, where the front and rear sides of the design are mirror images of each other;
FIG. 4 is a side view thereof, where the right and left sides of the design are mirror images of each other; and,
FIG. 5 is a bottom plan view thereof.
The broken lines shown represent unclaimed subject matter and form no part of the claimed design.

1 Claim, 3 Drawing Sheets



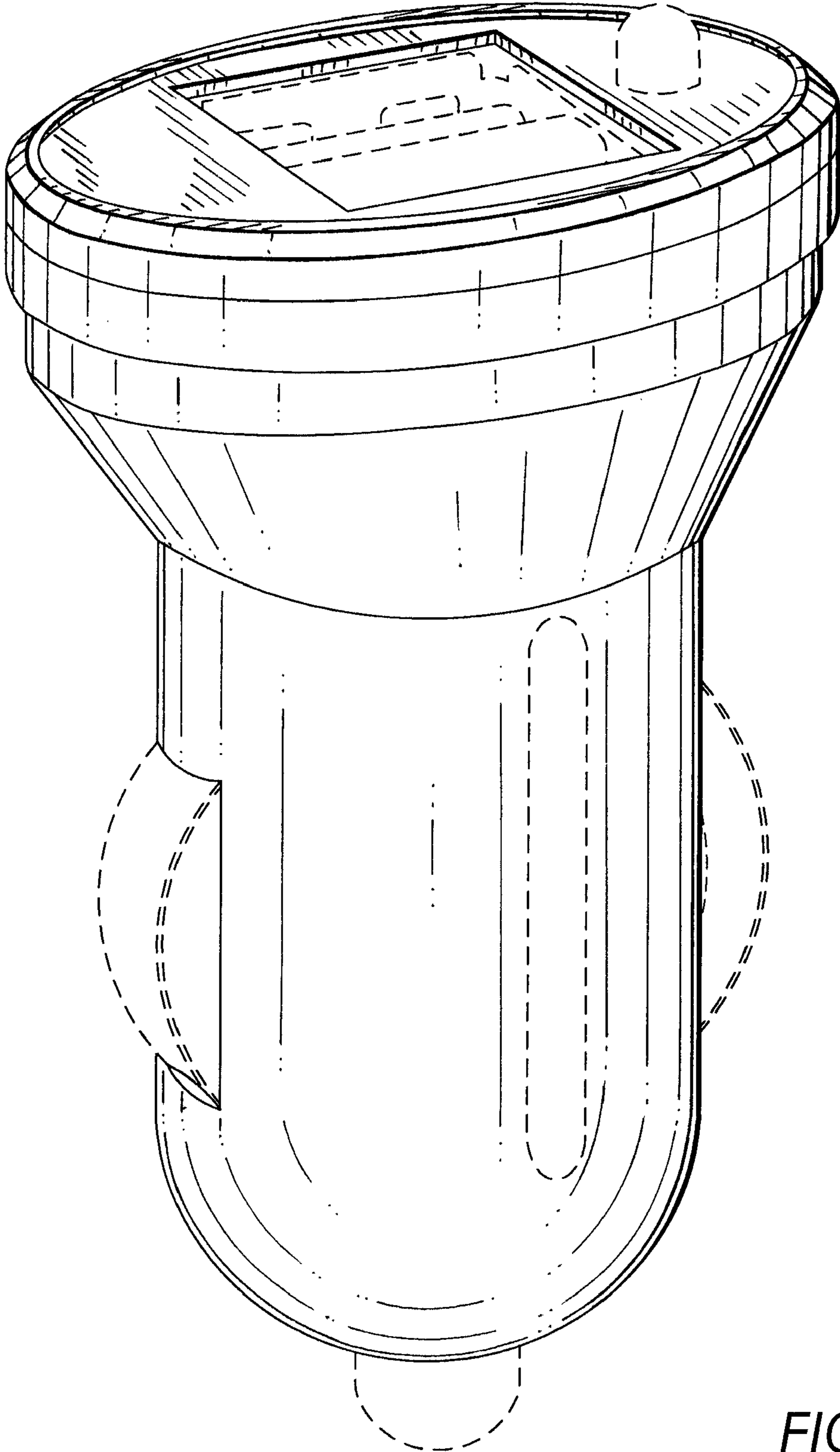


FIG. 1

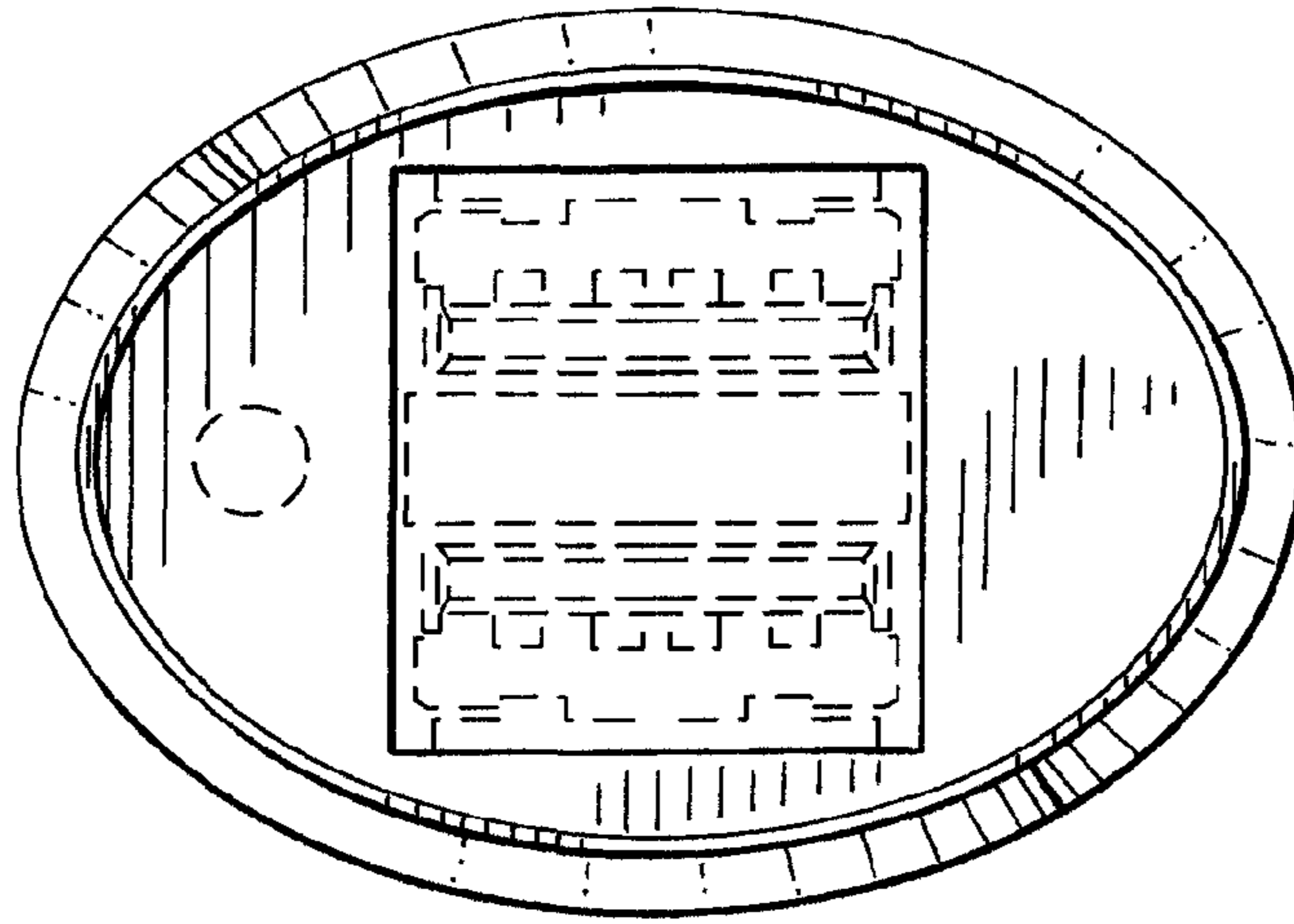


FIG. 2

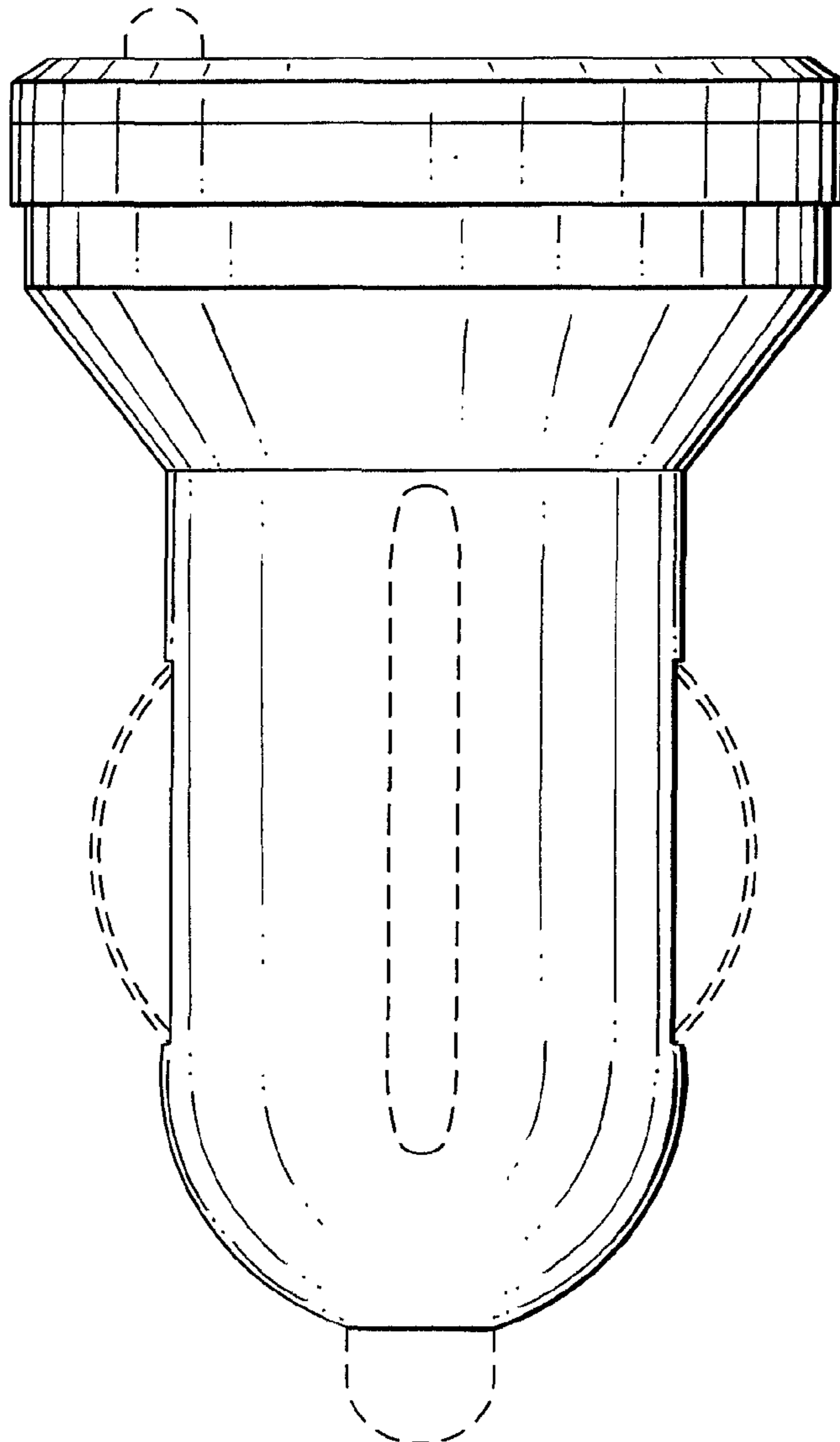


FIG. 3

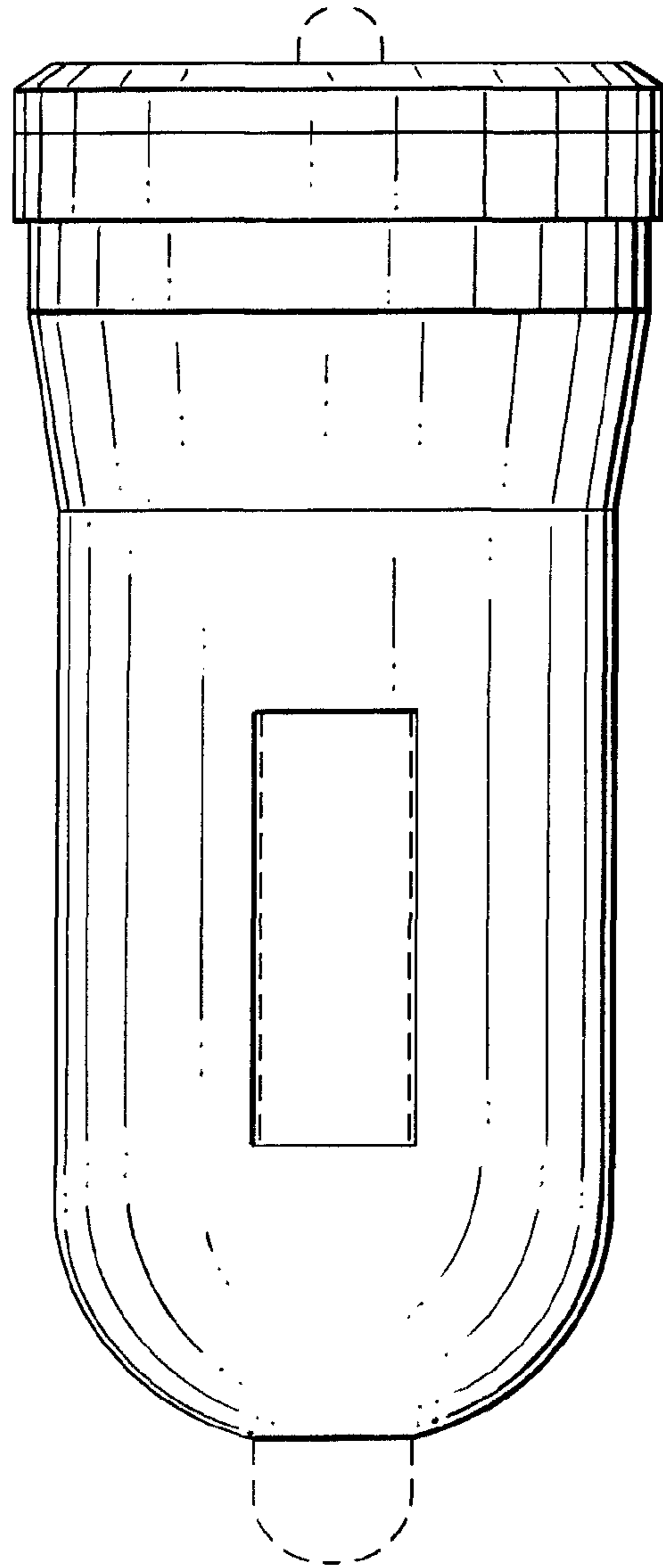


FIG. 4

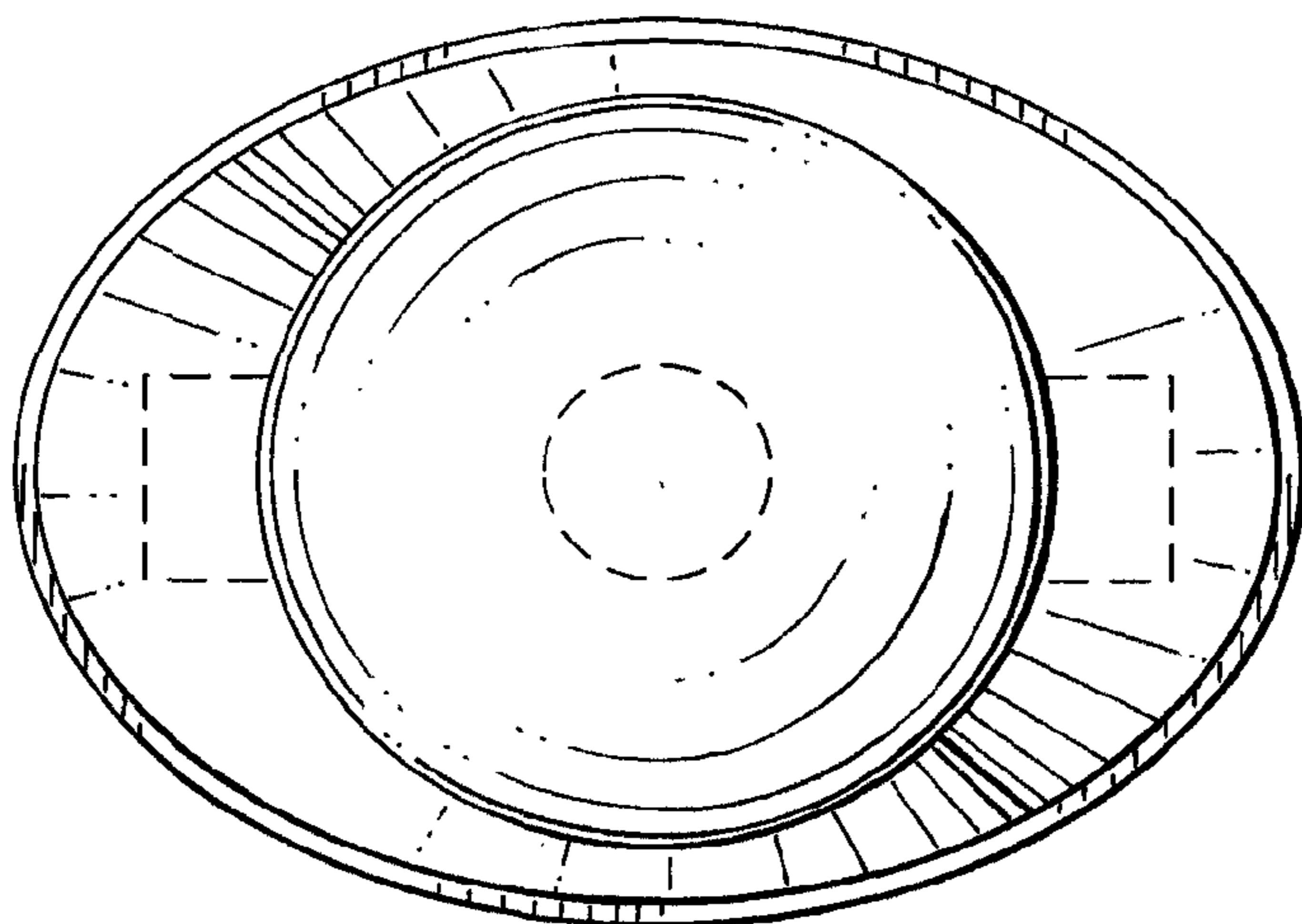


FIG. 5