



US00D673503S

(12) **United States Design Patent**  
**Lee et al.**

(10) **Patent No.:** **US D673,503 S**  
(45) **Date of Patent:** **\*\* Jan. 1, 2013**

(54) **POWER STRIP**

(75) Inventors: **Noel Lee**, Las Vegas, NV (US); **Minki Bang**, Daly City, CA (US)

(73) Assignee: **Monster Cable Products, Inc.**,  
Brisbane, CA (US)

(\*\*) Term: **14 Years**

(21) Appl. No.: **29/403,123**

(22) Filed: **Sep. 30, 2011**

(51) **LOC (9) Cl.** ..... **13-03**

(52) **U.S. Cl.** ..... **D13/139.8**

(58) **Field of Classification Search** ..... D13/137.1,  
D13/137.2, 137.3, 137.4, 138.1, 138.2, 139.1,  
D13/139.2, 139.3, 139.4, 139.5, 139.6, 139.7,  
D13/139.8, 101, 110, 123, 107, 108, 133,  
D13/154, 184, 199; 439/131, 166, 628, 101,  
439/102, 105, 106, 108, 172, 173, 174, 175,  
439/177, 476.1, 578, 583, 620.15, 620.17;  
363/15, 146, 34; 307/151; 320/111, 114;  
174/493, 494, 66, 67

See application file for complete search history.

(56) **References Cited**

**U.S. PATENT DOCUMENTS**

D217,251 S *	4/1970	Kahn	.....	D13/139.8
D270,629 S *	9/1983	Drew	.....	D13/139.7
D350,940 S *	9/1994	Rossmann et al.	.....	D13/139.8
D354,731 S *	1/1995	Lee	.....	D13/139.8
5,708,554 A *	1/1998	Liner	.....	361/104
D446,189 S	8/2001	Lee		
D446,503 S	8/2001	Lee		
D484,098 S *	12/2003	Lee	.....	D13/139.8
D495,658 S *	9/2004	Cho	.....	D13/137.3
D537,040 S *	2/2007	Chesebro et al.	.....	D13/139.8
D546,766 S *	7/2007	Tropp	.....	D13/139.6

D556,689 S	12/2007	Lee et al.		
7,358,625 B2 *	4/2008	Cheng et al.	.....	307/18
D576,553 S *	9/2008	Lee et al.	.....	D13/139.6
D581,873 S *	12/2008	Zhou	.....	D13/139.6
D637,955 S	5/2011	Lee et al.		
D641,702 S *	7/2011	Chuang	.....	D13/139.8
D644,180 S	8/2011	Lee et al.		

**OTHER PUBLICATIONS**

U.S. Appl. No. 29/398,823, filed Aug. 4, 2011, Noel Lee, et al.  
U.S. Appl. No. 29/402,986, filed Sep. 29, 2011, Noel Lee, et al.  
U.S. Appl. No. 29/402,982, filed Sep. 29, 2011, Noel Lee, et al.  
U.S. Appl. No. 29/402,976, filed Sep. 29, 2011, Noel Lee, et al.

\* cited by examiner

*Primary Examiner* — Angela J Lee

(74) *Attorney, Agent, or Firm* — LaRiviere, Grubman & Payne, LLP

(57) **CLAIM**

The ornamental design for a power strip, as shown and described.

**DESCRIPTION**

FIG. 1 is a perspective view of a power strip, showing our design;

FIG. 2 is a top view thereof;

FIG. 3 is a bottom view thereof;

FIG. 4 is a side view thereof;

FIG. 5 is an opposing side view thereof;

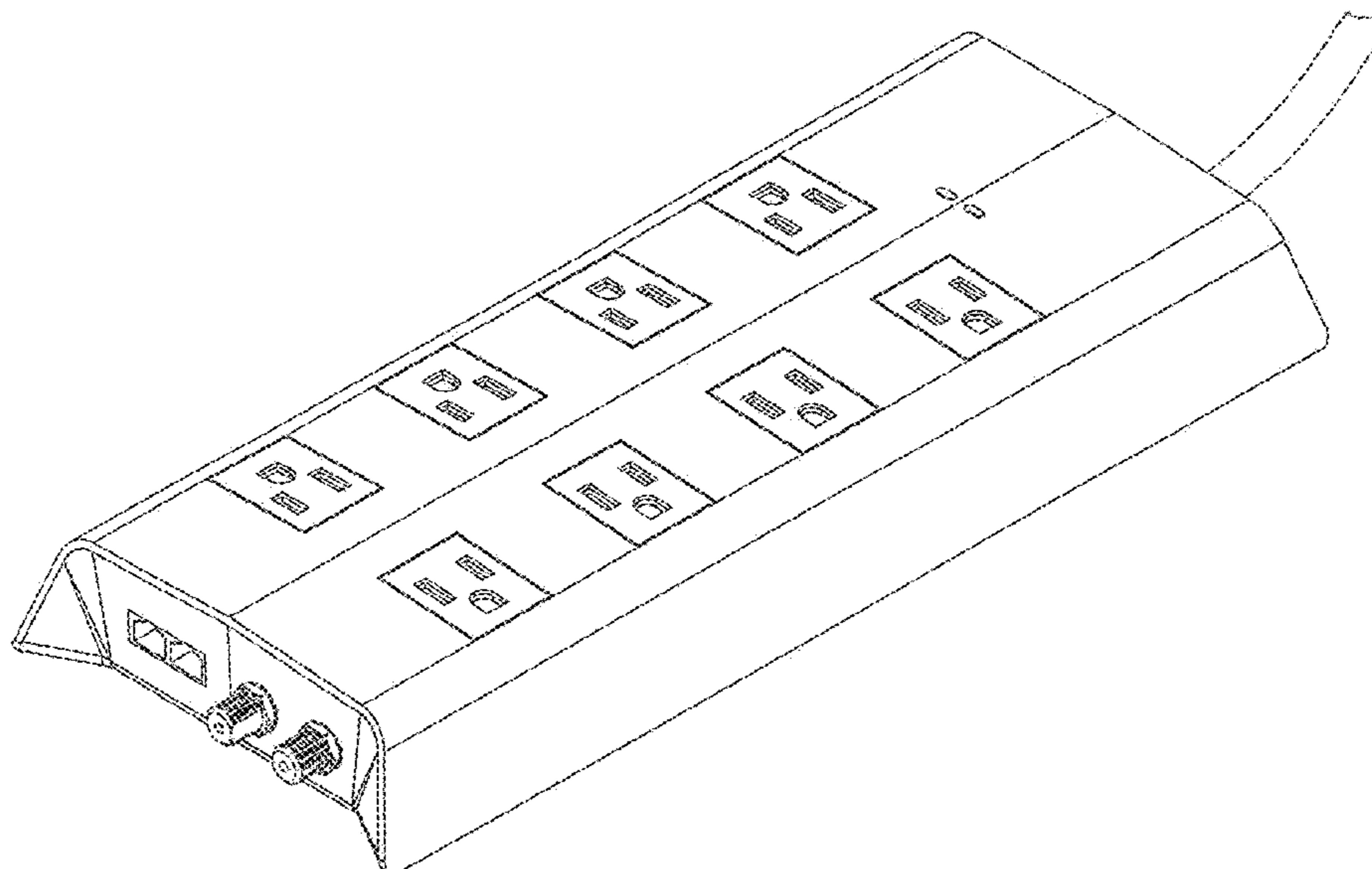
FIG. 6 is an end view thereof; and,

FIG. 7 is an opposing end view thereof.

The broken lines showing the environment are for illustrative purposes only.

The broken lines form no part of the claimed design.

**1 Claim, 4 Drawing Sheets**



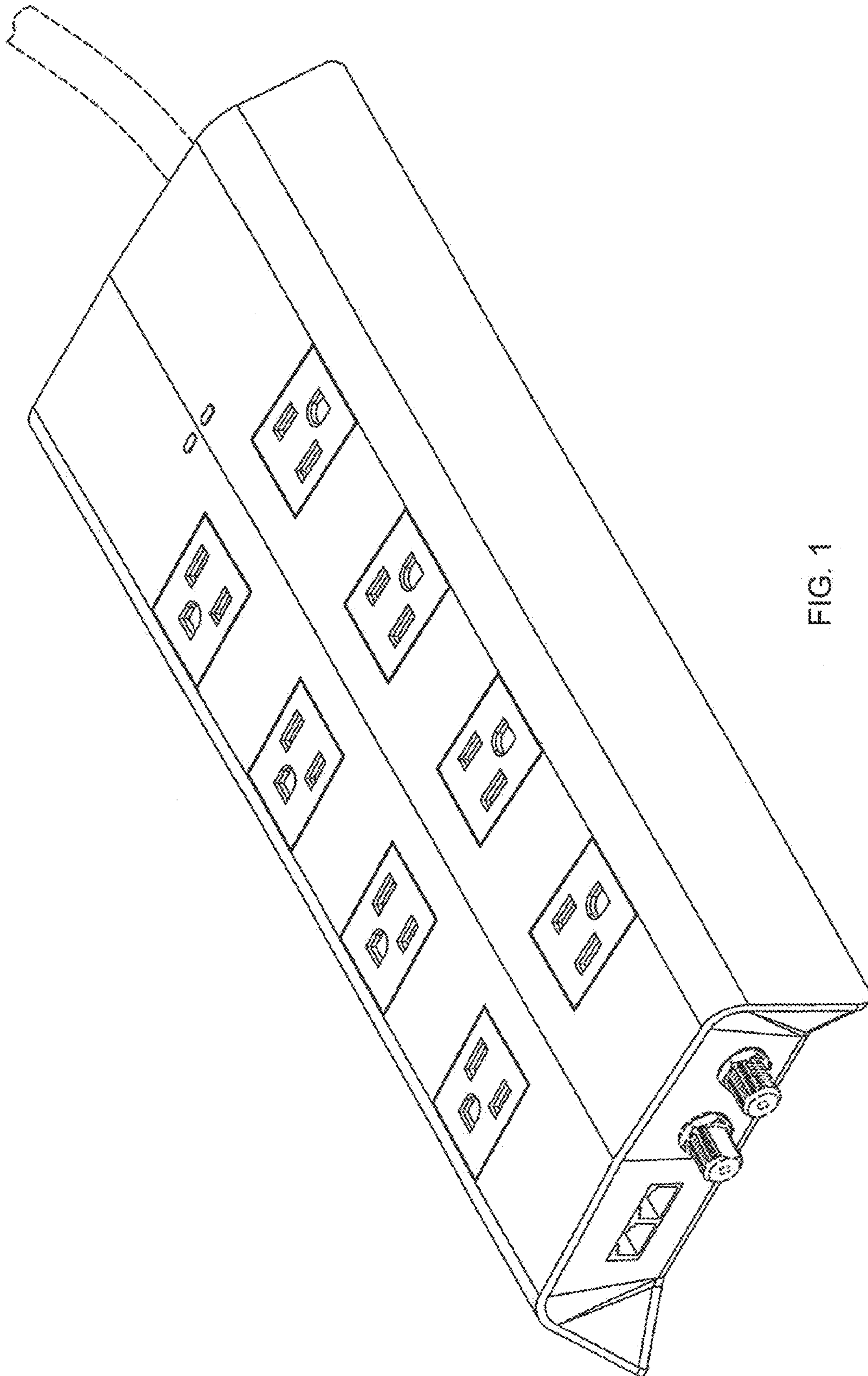


FIG. 1

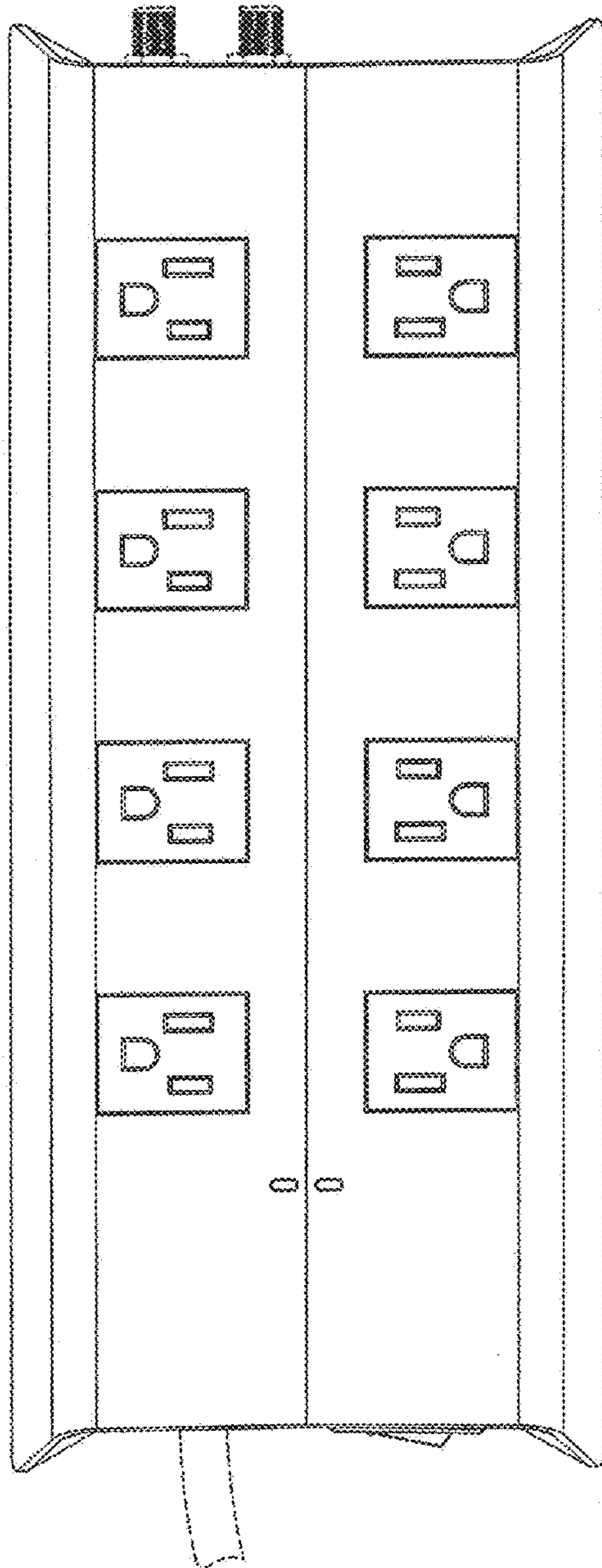


FIG. 2

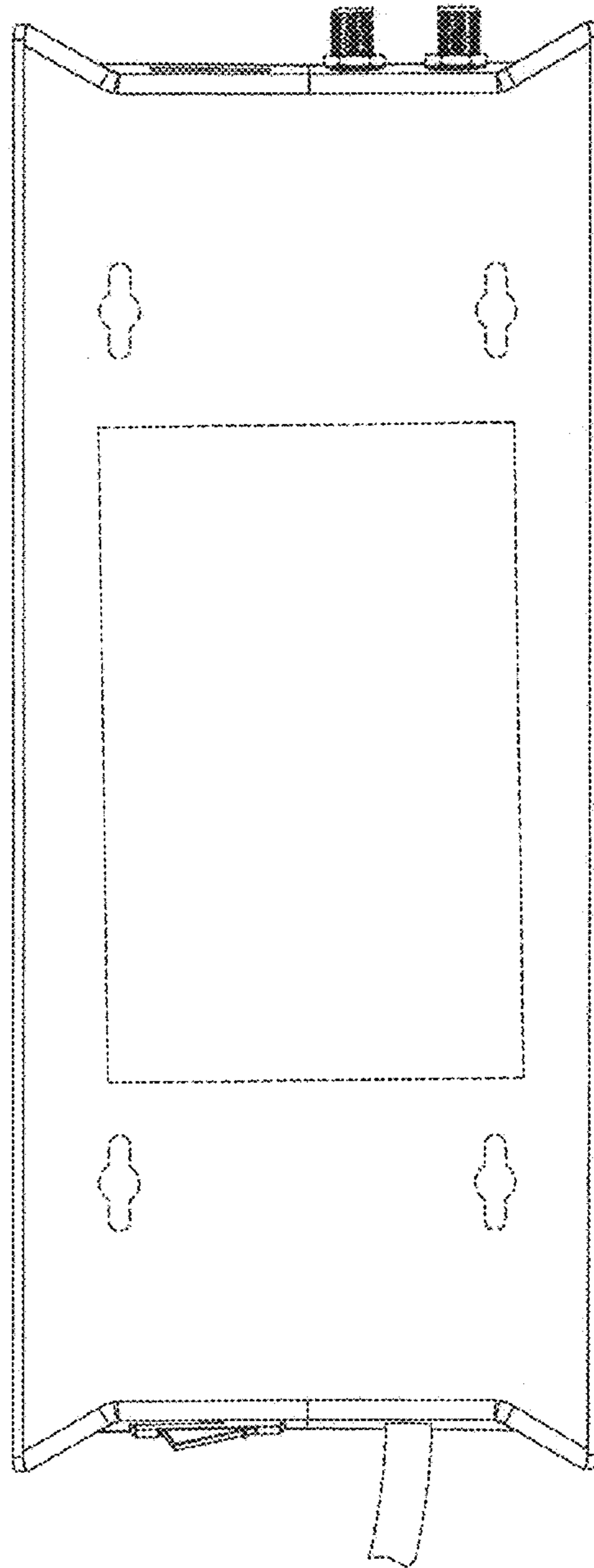


FIG. 3

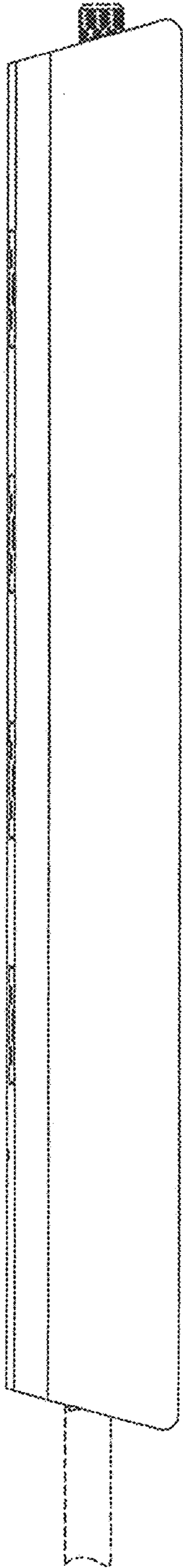


FIG. 4

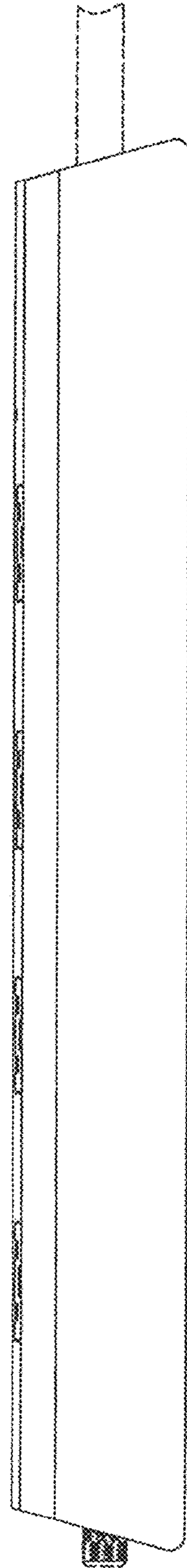


FIG. 5

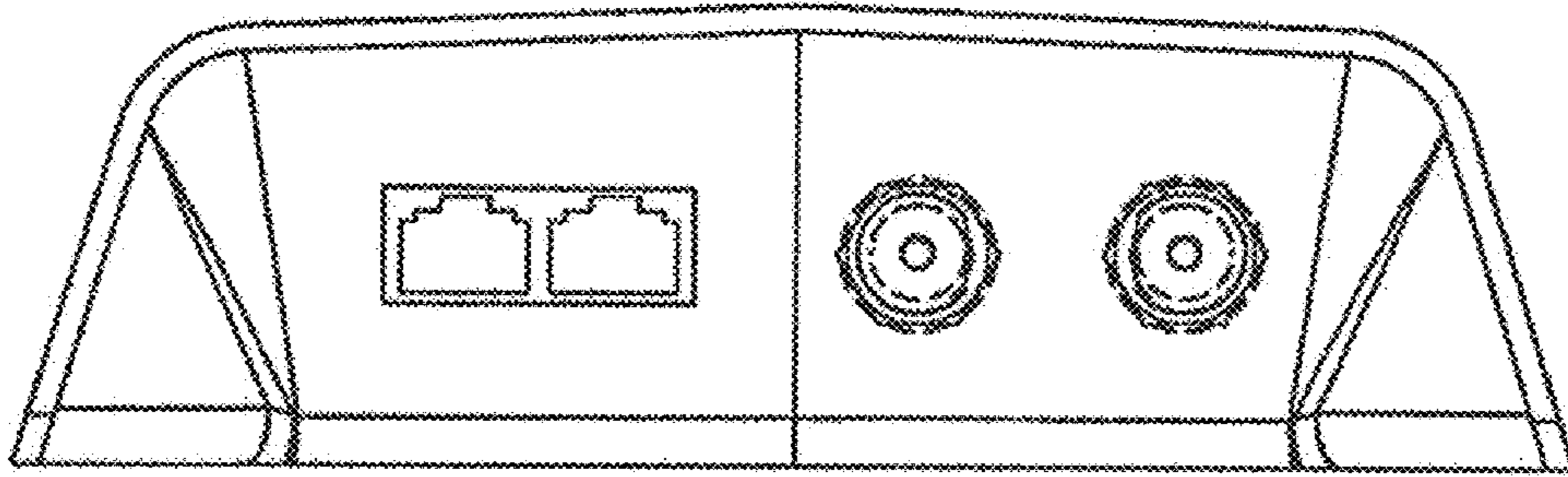


FIG. 6

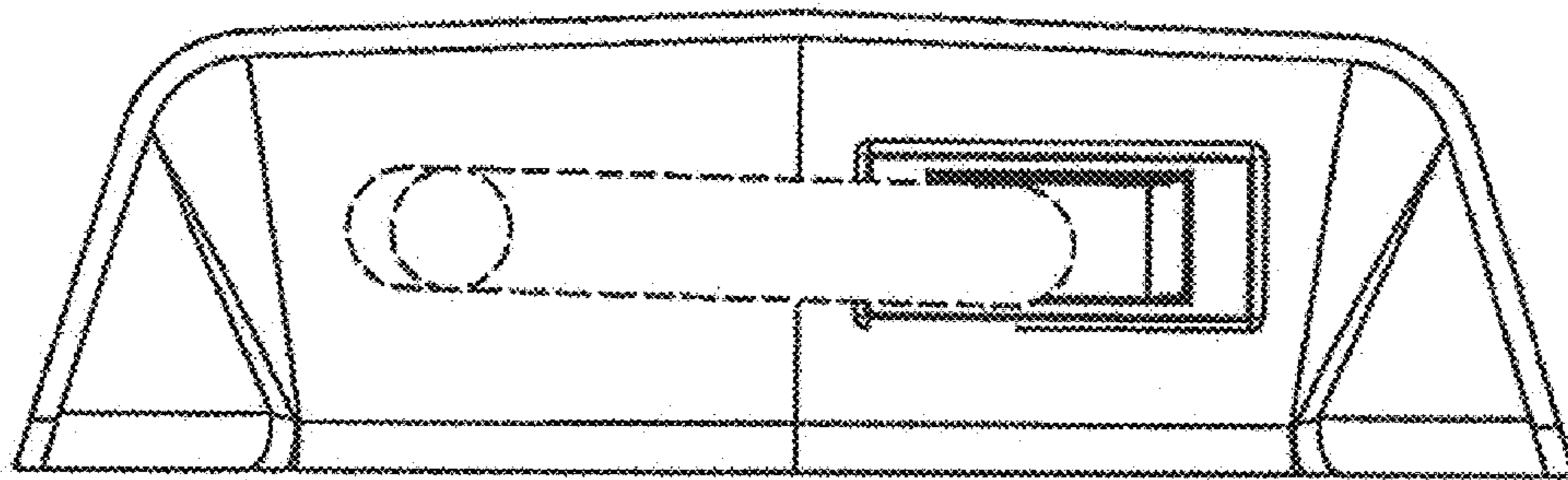


FIG. 7