



US00D673502S

(12) **United States Design Patent**  
**Zhong et al.**

(10) **Patent No.:** **US D673,502 S**  
(45) **Date of Patent:** **\*\* Jan. 1, 2013**

(54) **OPTICAL FIBER CONNECTOR**

(75) Inventors: **Zhiyon Zhong**, Guangdong (CN); **Qiyue Wang**, Guangdong (CN)

(73) Assignee: **Sunsea Telecommunications Co., Ltd.**, Guangdong (CN)

(\*\*) Term: **14 Years**

(21) Appl. No.: **29/415,573**

(22) Filed: **Mar. 12, 2012**

(30) **Foreign Application Priority Data**

Feb. 27, 2012 (CN) ..... 2012 3 0039951

(51) **LOC (9) Cl.** ..... **13-03**

(52) **U.S. Cl.** ..... **D13/133**

(58) **Field of Classification Search** ..... D13/133,  
D13/147, 154, 184, 199; 385/55, 56, 59,  
385/76, 77, 78, 88, 89

See application file for complete search history.

(56) **References Cited**

**U.S. PATENT DOCUMENTS**

5,293,581 A \* 3/1994 DiMarco ..... 385/76  
5,481,634 A \* 1/1996 Anderson et al. .... 385/76  
D434,376 S \* 11/2000 Connelly ..... D13/133  
D481,680 S \* 11/2003 Cheng et al. .... D13/133  
6,918,704 B2 \* 7/2005 Marrs et al. .... 385/78  
D523,396 S \* 6/2006 Shiraishi et al. .... D13/133  
D528,505 S \* 9/2006 Caveney et al. .... D13/133

D603,796 S \* 11/2009 Sticker et al. .... D13/147  
D619,100 S \* 7/2010 Larson et al. .... D13/154  
8,070,367 B2 \* 12/2011 Winberg et al. .... 385/81  
2005/0213897 A1 \* 9/2005 Palmer et al. .... 385/95

**OTHER PUBLICATIONS**

Chen, Lin, et al., U.S. Appl. No. 29/415,571, filed Mar. 12, 2012.

\* cited by examiner

*Primary Examiner* — Daniel Bui

(74) *Attorney, Agent, or Firm* — Matthew W. Witsil; Moore & Van Allen PLLC

(57) **CLAIM**

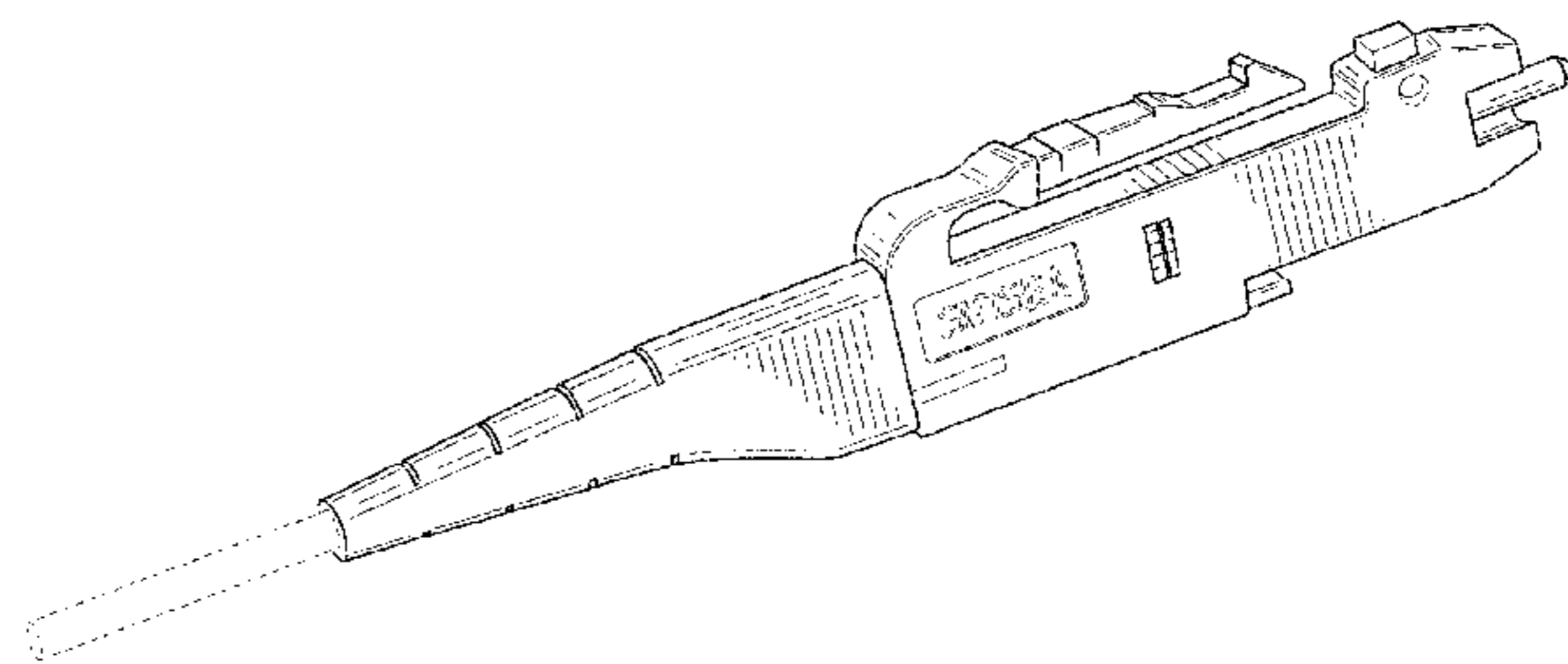
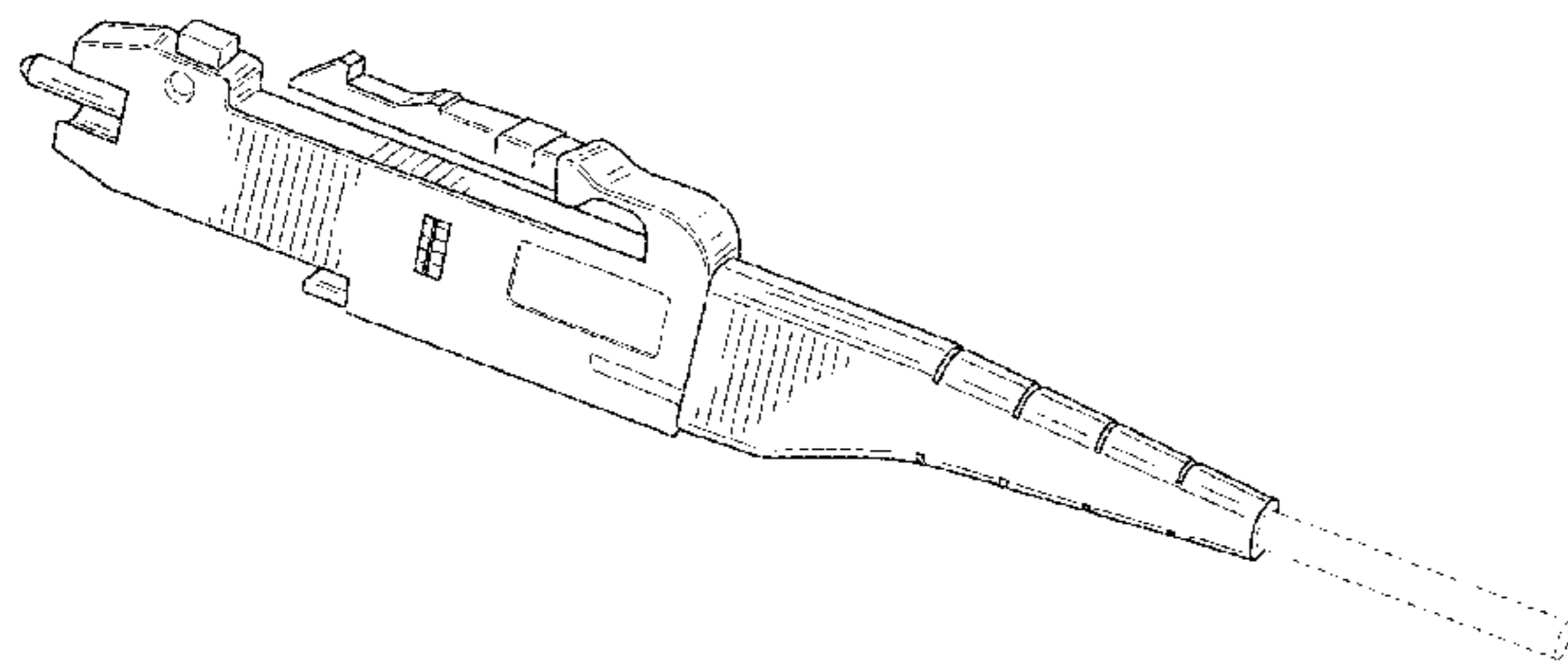
The ornamental design for an optical fiber connector, as shown and described.

**DESCRIPTION**

FIG. 1 is a right side perspective view of an optical fiber connector showing our new design; FIG. 2 is a left side perspective view thereof; FIG. 3 is a right side view thereof; FIG. 4 is a left side view thereof; FIG. 5 is a rear view thereof; FIG. 6 is a front view thereof; FIG. 7 is a top view thereof; and, FIG. 8 is a bottom view thereof.

The broken line in the figure drawings is included for the purpose of illustrating environment and forms no part of the claimed design.

**1 Claim, 4 Drawing Sheets**



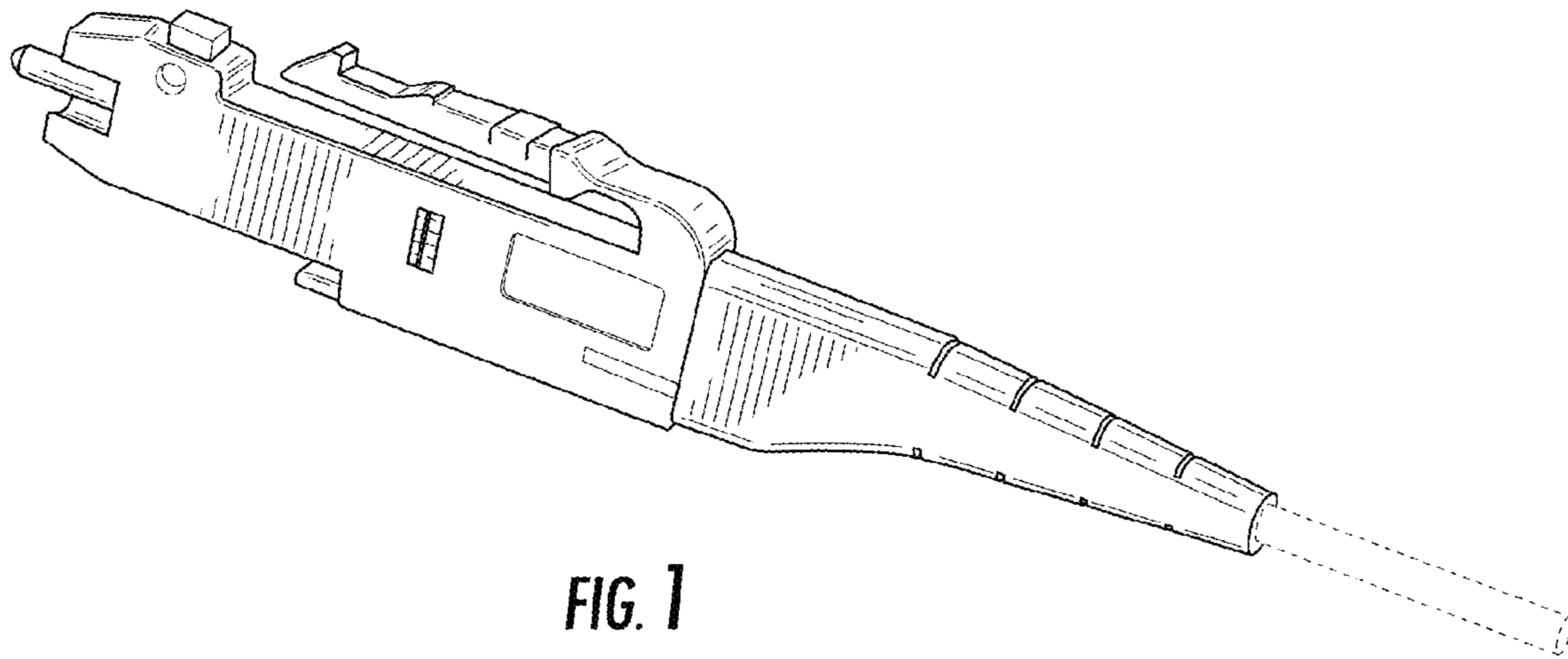


FIG. 1

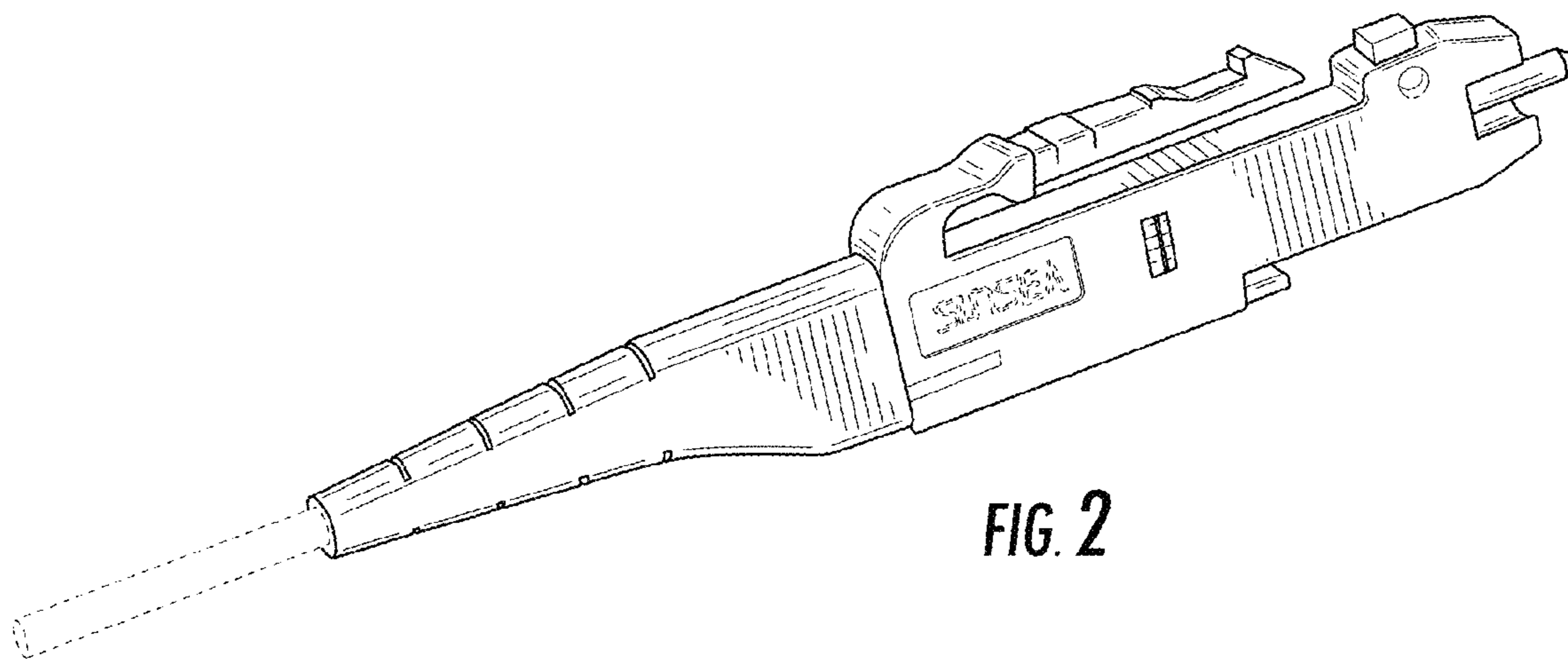
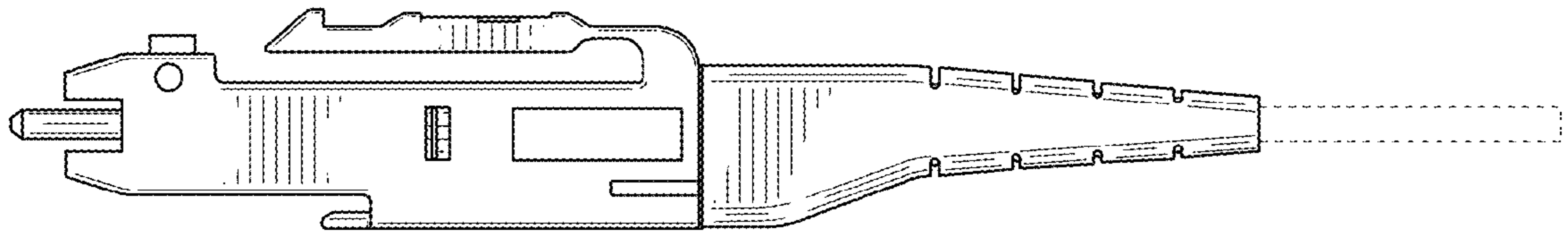
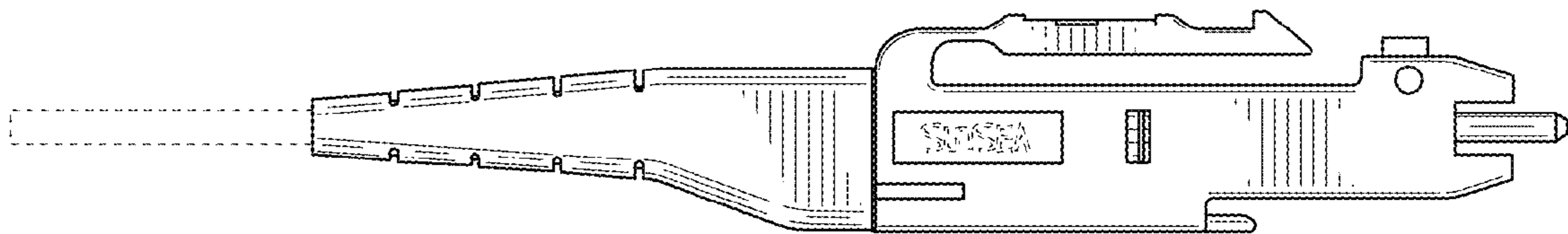


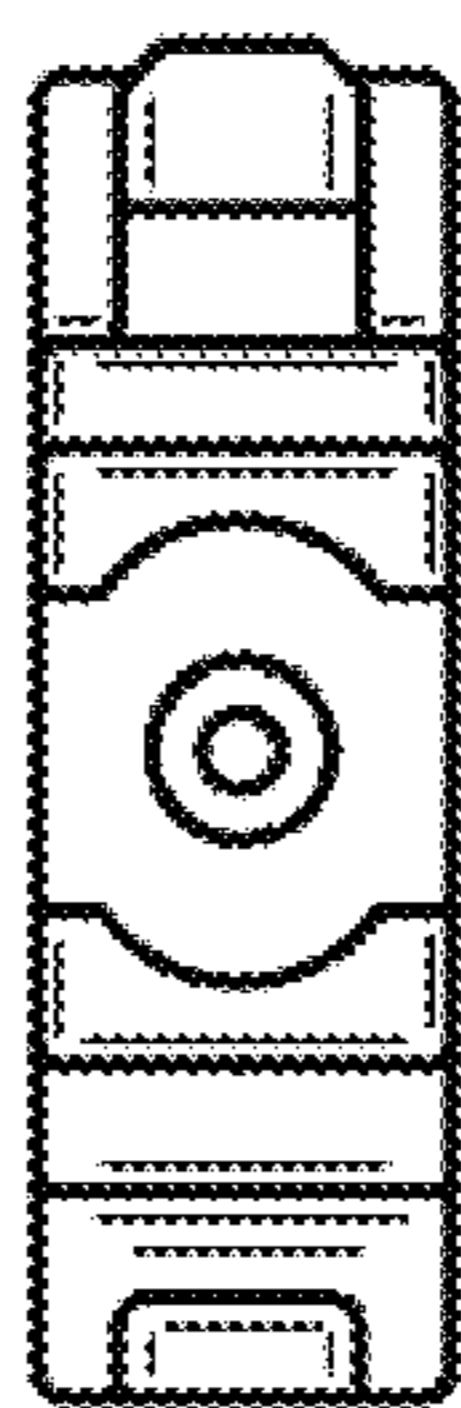
FIG. 2



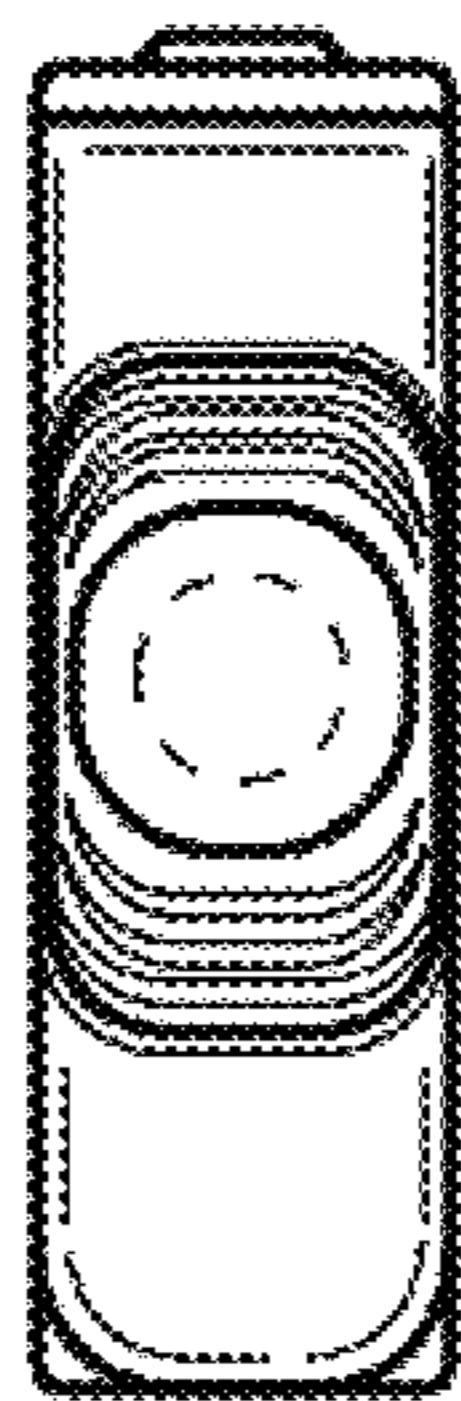
**FIG. 3**



**FIG. 4**



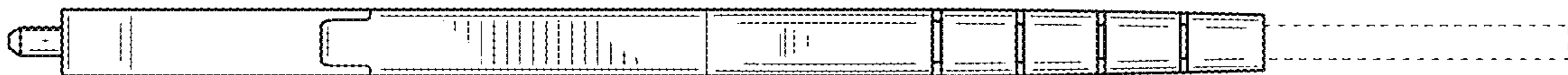
**FIG. 5**



**FIG. 6**



*FIG. 7*



*FIG. 8*