



US00D673500S

(12) **United States Design Patent**
Feige et al.

(10) **Patent No.:** **US D673,500 S**
(45) **Date of Patent:** **** Jan. 1, 2013**

(54) **CONNECTOR**

(75) Inventors: **Thorsten Feige**, Bielefeld (DE); **Bernd Kueppers**, Detmold (DE); **Peter Unverzagt**, Detmold (DE); **Matthias Boensch**, Bielefeld (DE)

(73) Assignee: **Weidmueller Interface GmbH & Co. KG**, Detmold (DE)

(**) Term: **14 Years**

(21) Appl. No.: **29/407,922**

(22) Filed: **Dec. 5, 2011**

(30) **Foreign Application Priority Data**

Jun. 6, 2011 (EM) 001873290-0006

(51) **LOC (9) Cl.** **13-03**

(52) **U.S. Cl.** **D13/133**

(58) **Field of Classification Search** D13/133,
D13/149, 151, 153, 154, 156, 199; 439/79,
439/248, 258, 274, 35, 352, 353, 358, 359,
439/362, 378, 445, 447, 578, 584, 585, 656,
439/66, 676, 677, 678, 679, 68, 681, 682,
439/686

See application file for complete search history.

(56) **References Cited**

U.S. PATENT DOCUMENTS

D278,230 S * 4/1985 Kominiak et al. D13/133
D322,954 S * 1/1992 Avramovich D13/133

D373,568 S * 9/1996 Bloom et al. D13/133
D514,069 S * 1/2006 Bachmann D13/149
D524,738 S * 7/2006 Dobler D13/133
D545,763 S * 7/2007 Tufano, Jr. D13/133
D582,850 S * 12/2008 Andre D13/133
D597,947 S * 8/2009 Ono D13/133
D601,090 S * 9/2009 Vigorito et al. D13/133
D626,068 S * 10/2010 Giefers et al. D13/133
D626,506 S * 11/2010 Giefers et al. D13/133
D647,849 S * 11/2011 Yu D13/133
D662,892 S * 7/2012 Giefers et al. D13/151

* cited by examiner

Primary Examiner — Thomas Johannes

(74) *Attorney, Agent, or Firm* — Crowell & Moring LLP

(57) **CLAIM**

The ornamental design for a connector, as shown and described.

DESCRIPTION

FIG. 1 is a top, perspective view of a connector according to our design;

FIG. 2 is a top view thereof;

FIG. 3 is a bottom view thereof;

FIG. 4 is a right side view thereof;

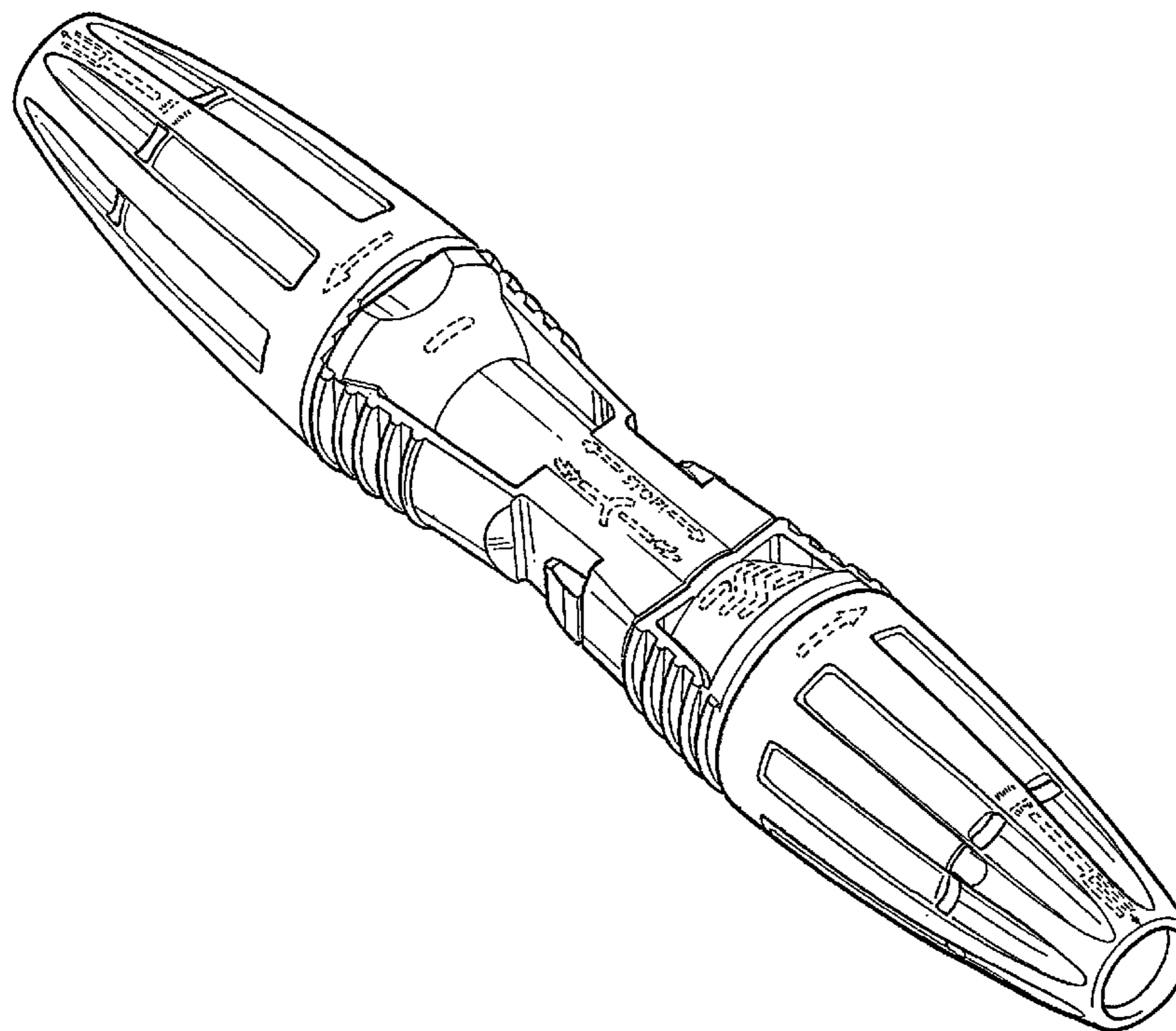
FIG. 5 is a left side view thereof;

FIG. 6 is a front view thereof; and,

FIG. 7 is a rear view thereof.

The broken lines show unclaimed subject matter only and form no part of the claimed design.

1 Claim, 6 Drawing Sheets



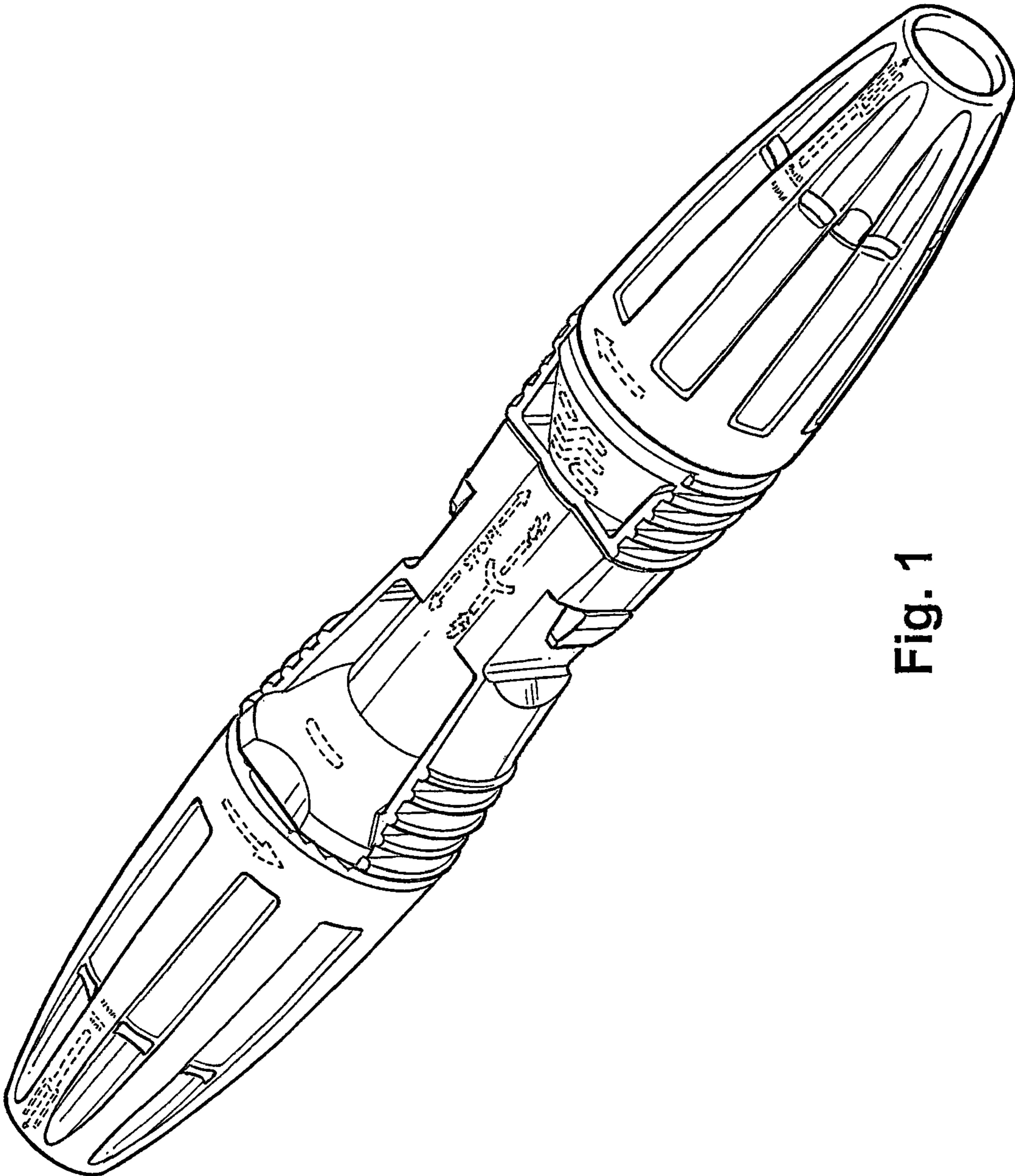


Fig. 1

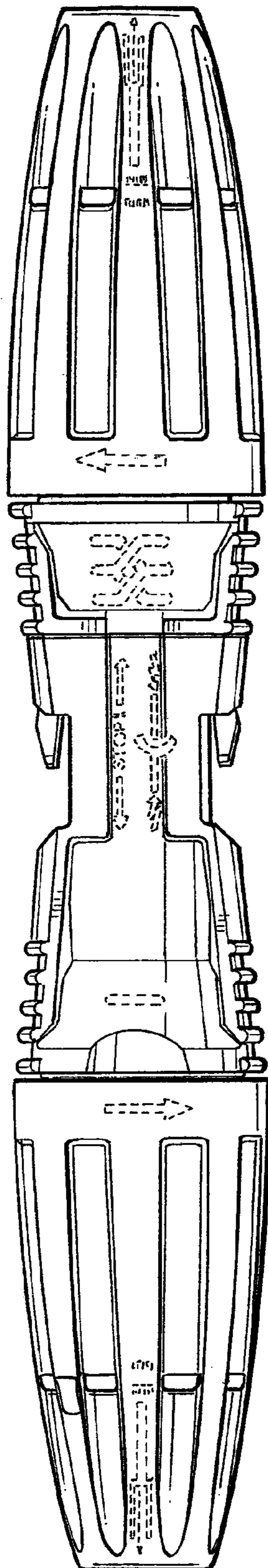


Fig. 2

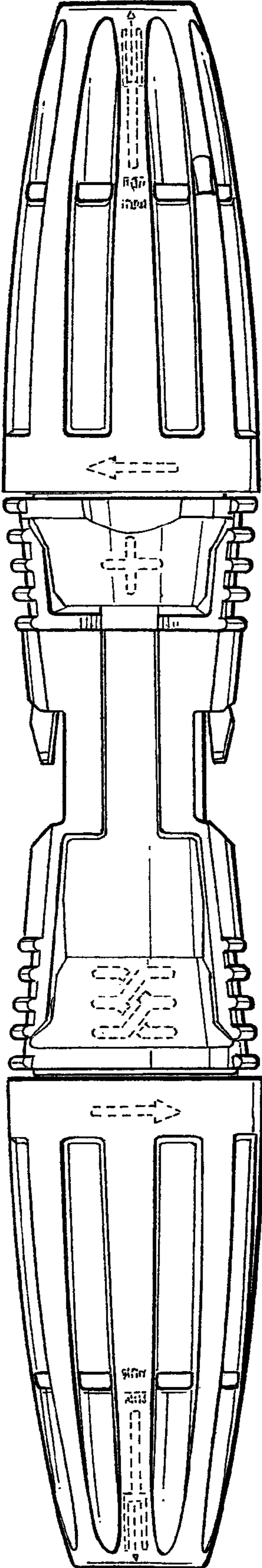


Fig. 3

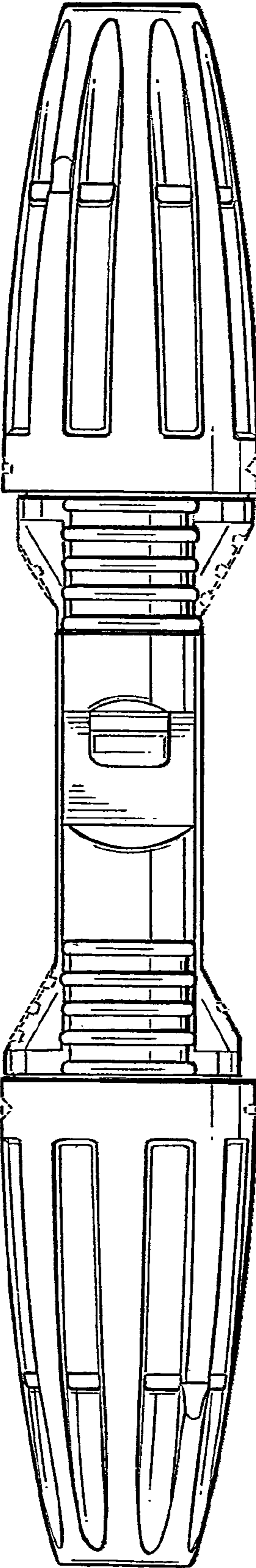


Fig. 4

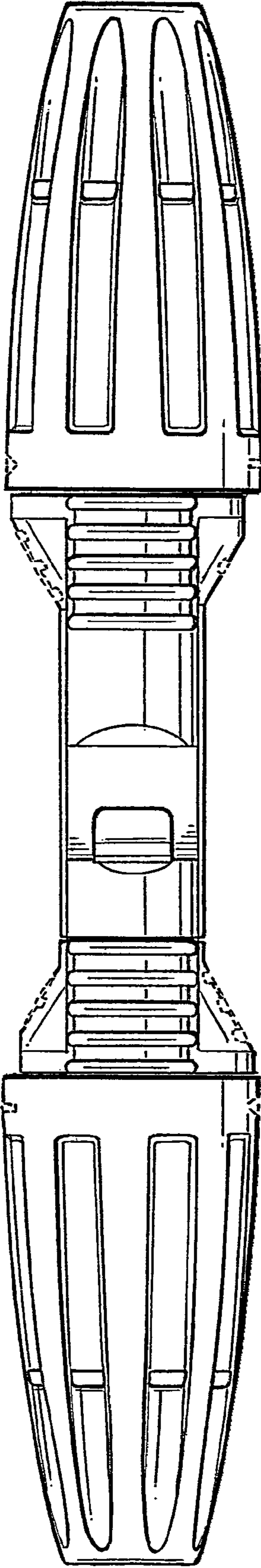


Fig. 5

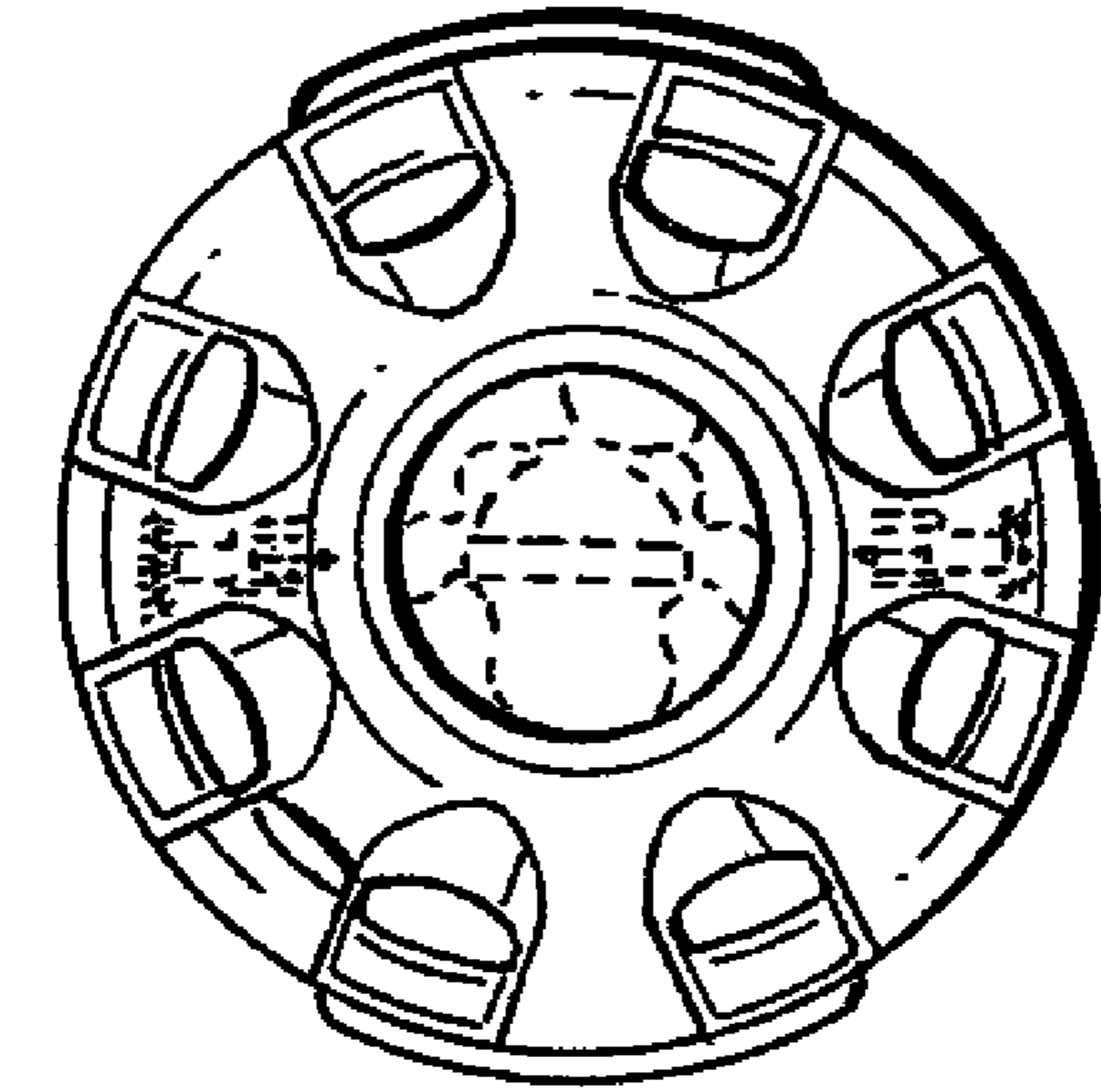


Fig. 6

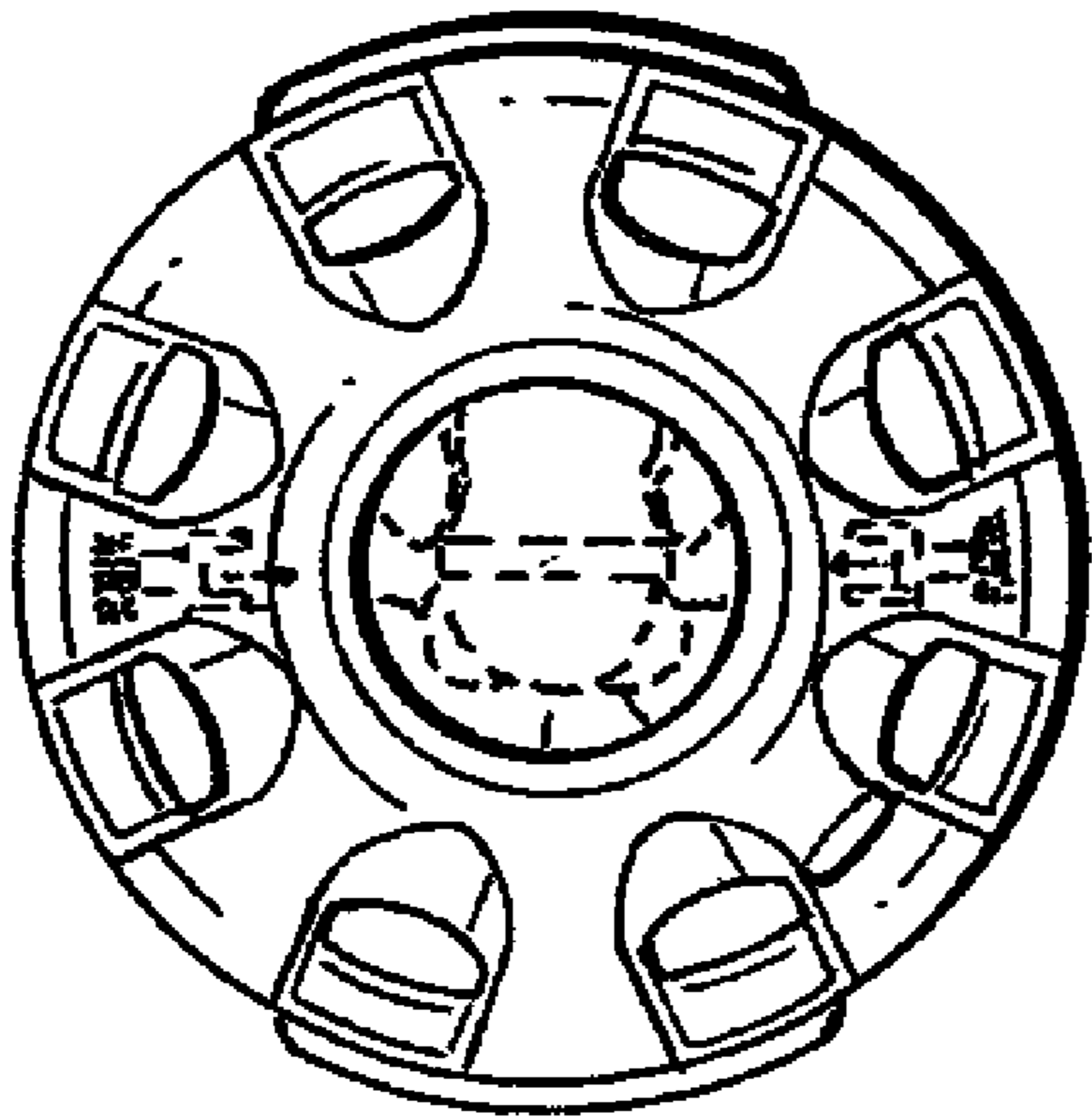


Fig. 7