



US00D673499S

(12) **United States Design Patent**
Hirakawa

(10) **Patent No.:** **US D673,499 S**
(45) **Date of Patent:** **** Jan. 1, 2013**

(54) **ELECTRIC CONNECTOR**

(75) Inventor: **Takeshi Hirakawa**, Machida (JP)

(73) Assignee: **Dai-Ichi Seiko Co., Ltd.**, Kyoto (JP)

(**) Term: **14 Years**

(21) Appl. No.: **29/383,724**

(22) Filed: **Jan. 21, 2011**

(30) **Foreign Application Priority Data**

Jul. 22, 2010 (JP) 2010-017756
Dec. 15, 2010 (JP) 2010-029882

(51) **LOC (9) Cl.** **13-03**

(52) **U.S. Cl.** **D13/133**

(58) **Field of Classification Search** D13/133,
D13/154, 184, 199; 439/63, 180, 246, 252,
439/274, 278, 381, 527, 529, 533, 578-585,
439/892, 894

See application file for complete search history.

(56) **References Cited**

U.S. PATENT DOCUMENTS

5,180,315 A * 1/1993 Nagashima 439/581
D447,117 S * 8/2001 Ko D13/133
D457,496 S * 5/2002 Ko D13/133
6,431,915 B1 * 8/2002 Ko 439/607.41
6,607,400 B1 * 8/2003 Ko 439/581
D532,373 S * 11/2006 Nishida et al. D13/133
D547,722 S * 7/2007 Harano et al. D13/133
D555,593 S * 11/2007 Harano et al. D13/133
D575,237 S * 8/2008 Shiga et al. D13/151

FOREIGN PATENT DOCUMENTS

JP 993888 6/1997

* cited by examiner

Primary Examiner — Daniel Bui

(74) *Attorney, Agent, or Firm* — Oblon, Spivak,
McClelland, Maier & Neustadt, L.L.P.

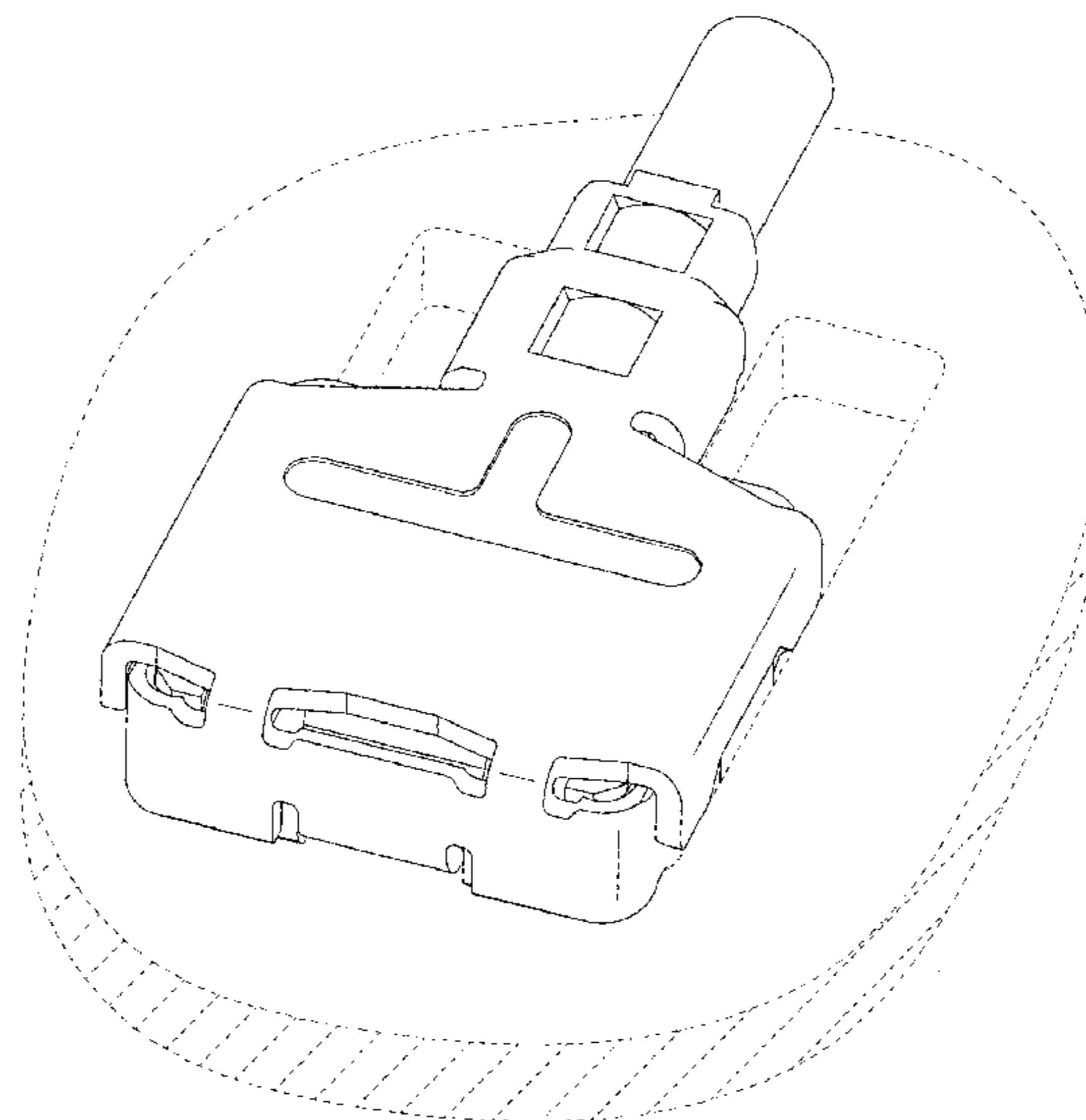
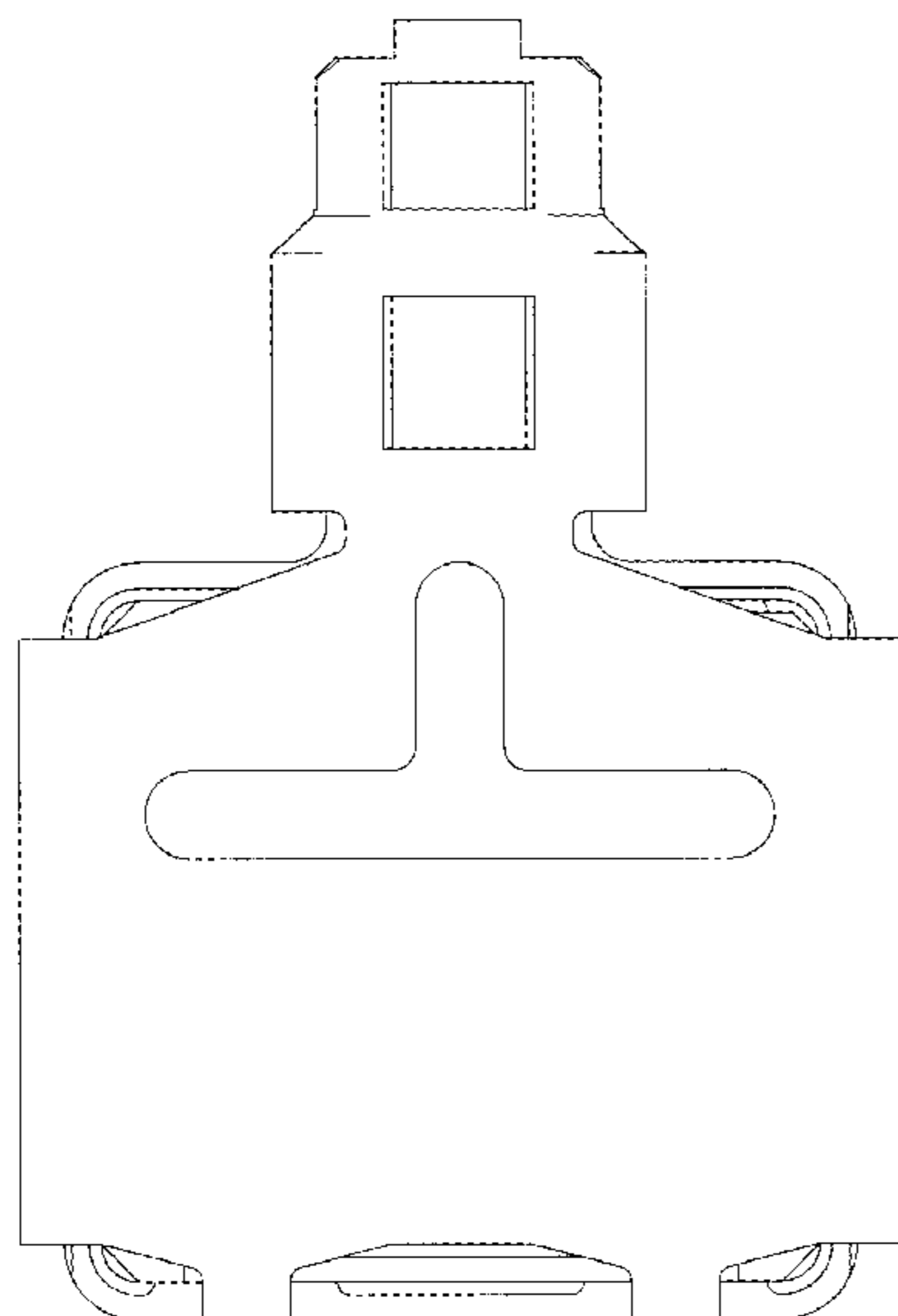
(57) **CLAIM**

The ornamental design for an electric connector, as shown and described.

DESCRIPTION

FIG. 1 is a top plan view of an electric connector of the first embodiment showing my new design; FIG. 2 is a front elevational view thereof; FIG. 3 is a bottom plan view thereof; FIG. 4 is a rear elevational view thereof; FIG. 5 is a right side elevational view thereof; FIG. 6 is a front, top, and right side perspective view thereof; FIG. 7 is a front, bottom, and left side perspective view thereof, and FIG. 8 is a front, top, and right side perspective view thereof, in a use condition. FIG. 9 is a top plan view of an electric connector of the second embodiment showing my new design; FIG. 10 is a front elevational view thereof; FIG. 11 is a bottom plan view thereof; FIG. 12 is a rear elevational view thereof; FIG. 13 is a right side elevational view thereof; FIG. 14 is a front, top, and right side perspective view thereof; FIG. 15 is a front, bottom, and left side perspective view thereof; and, FIG. 16 is a front, top, and right side perspective view thereof, in a use condition. The broken lines in the drawings depict environmental subject matter only and form no part of the claimed design.

1 Claim, 14 Drawing Sheets



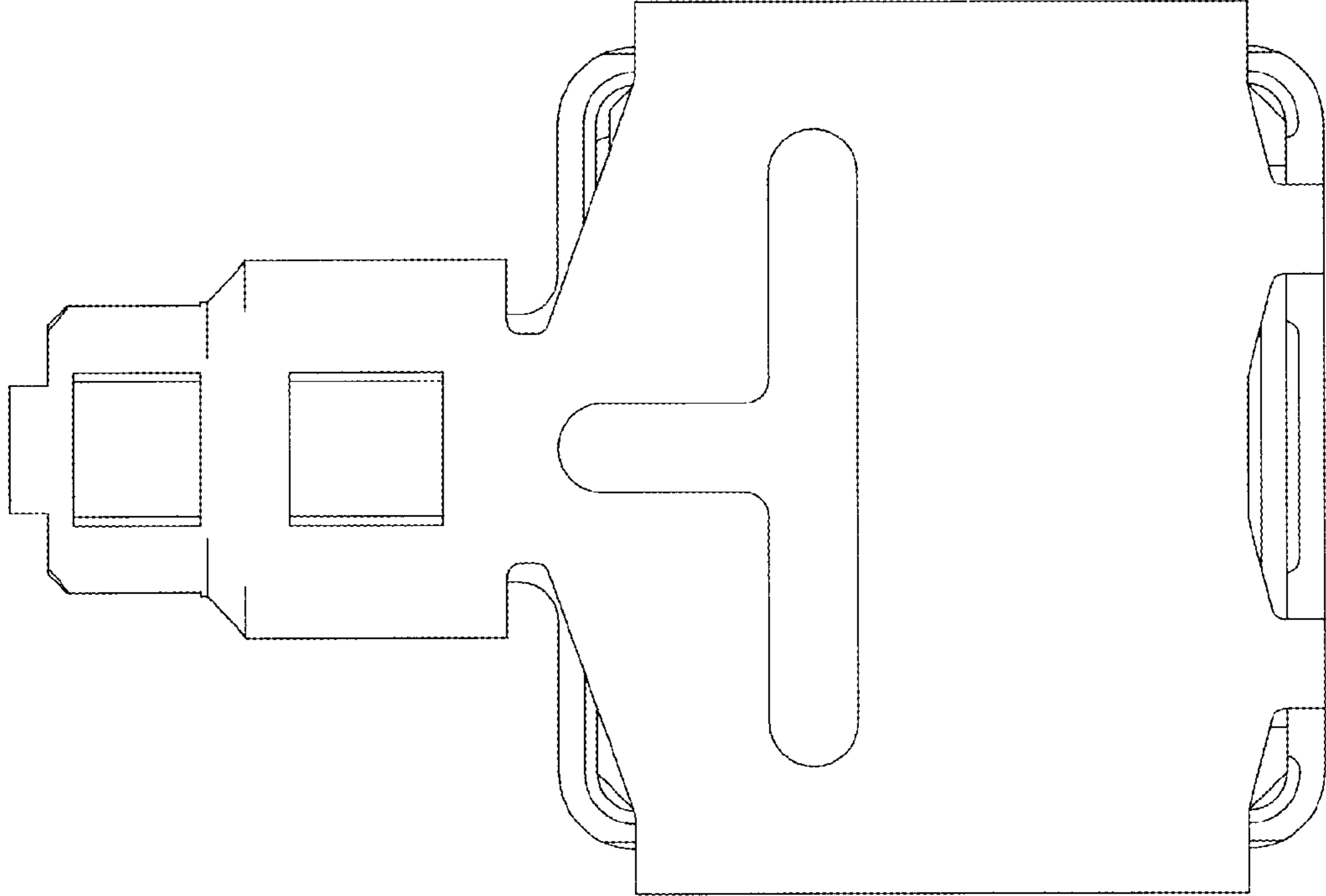


FIG. 1

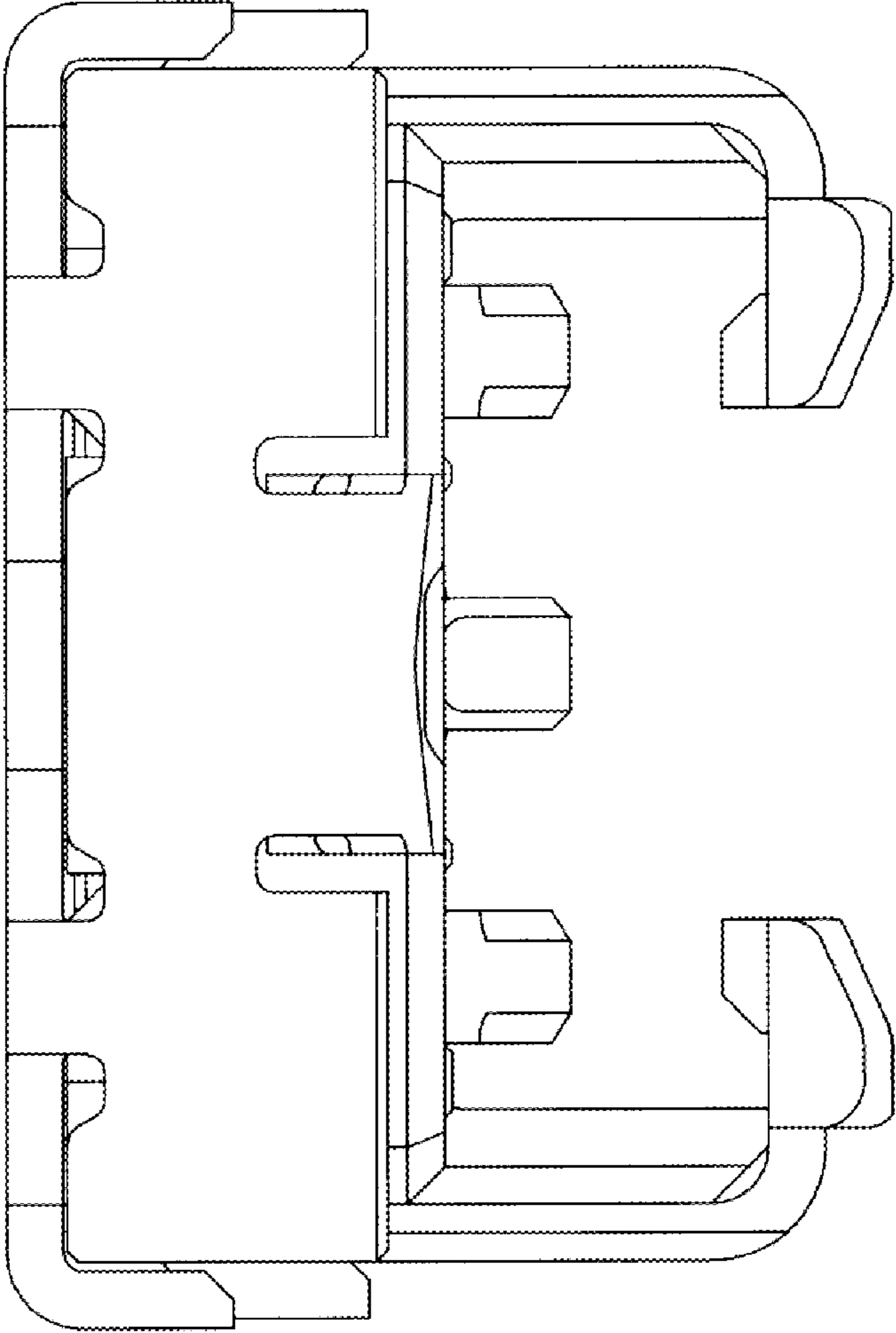


FIG. 2

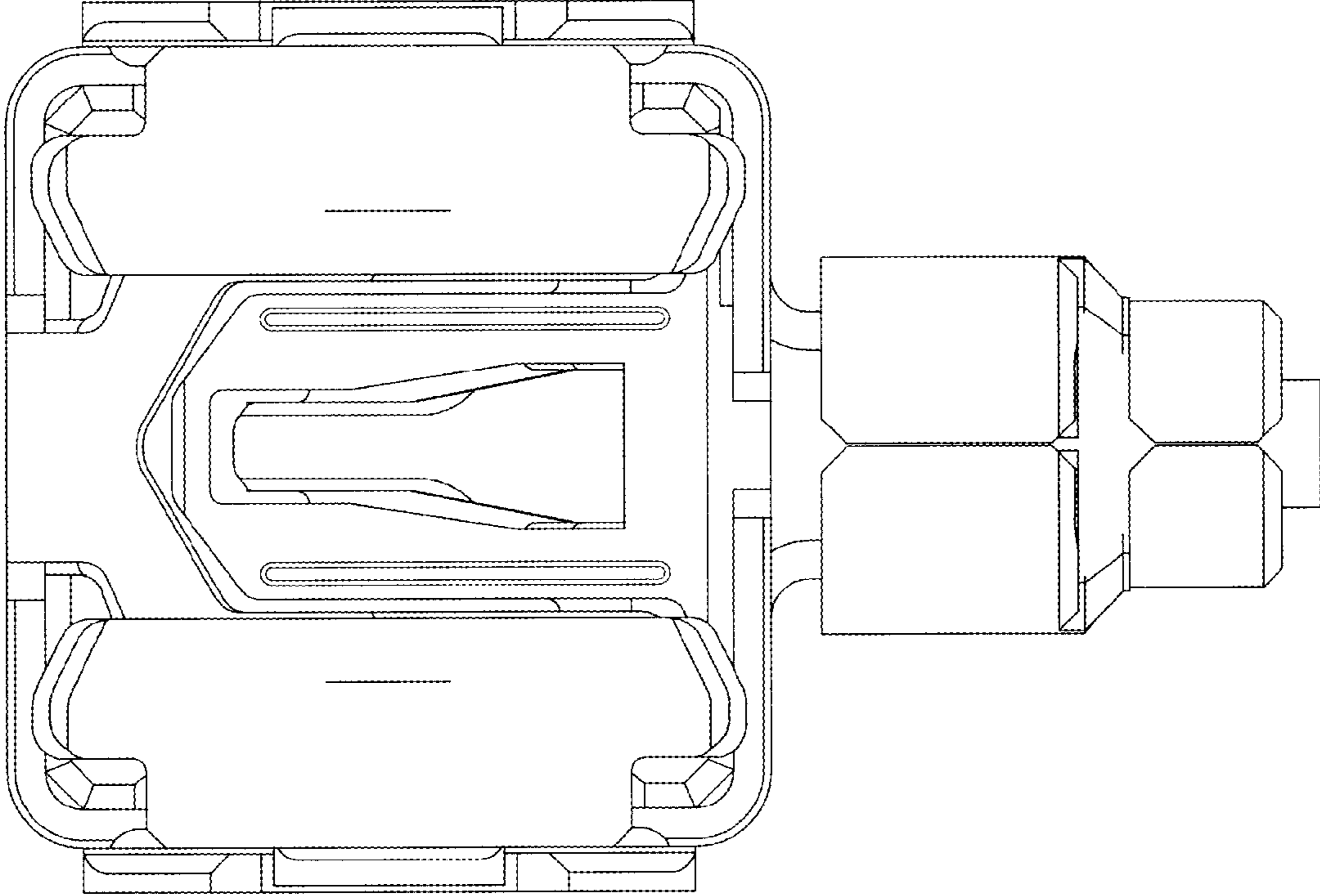


FIG. 3

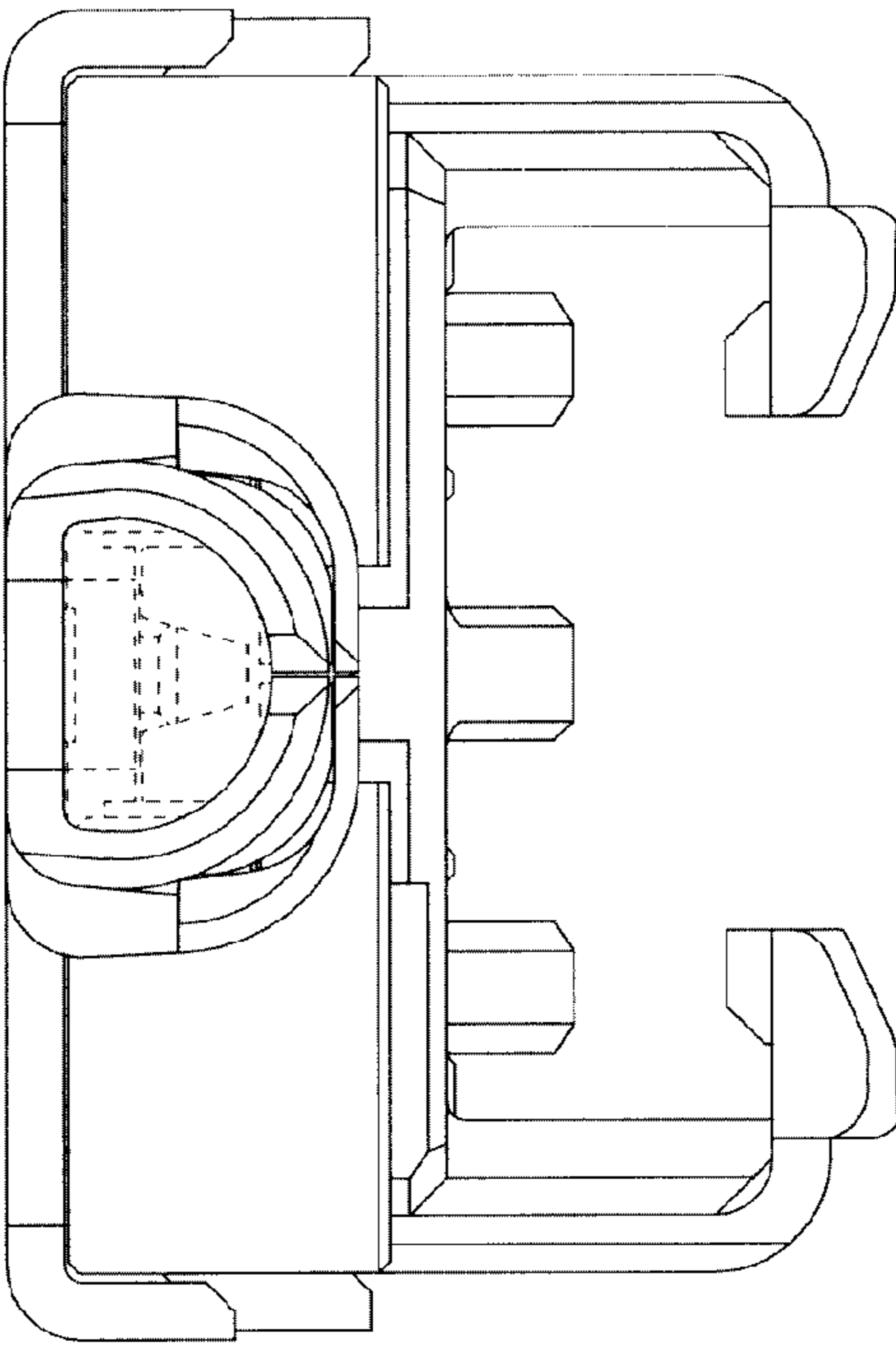


FIG. 4

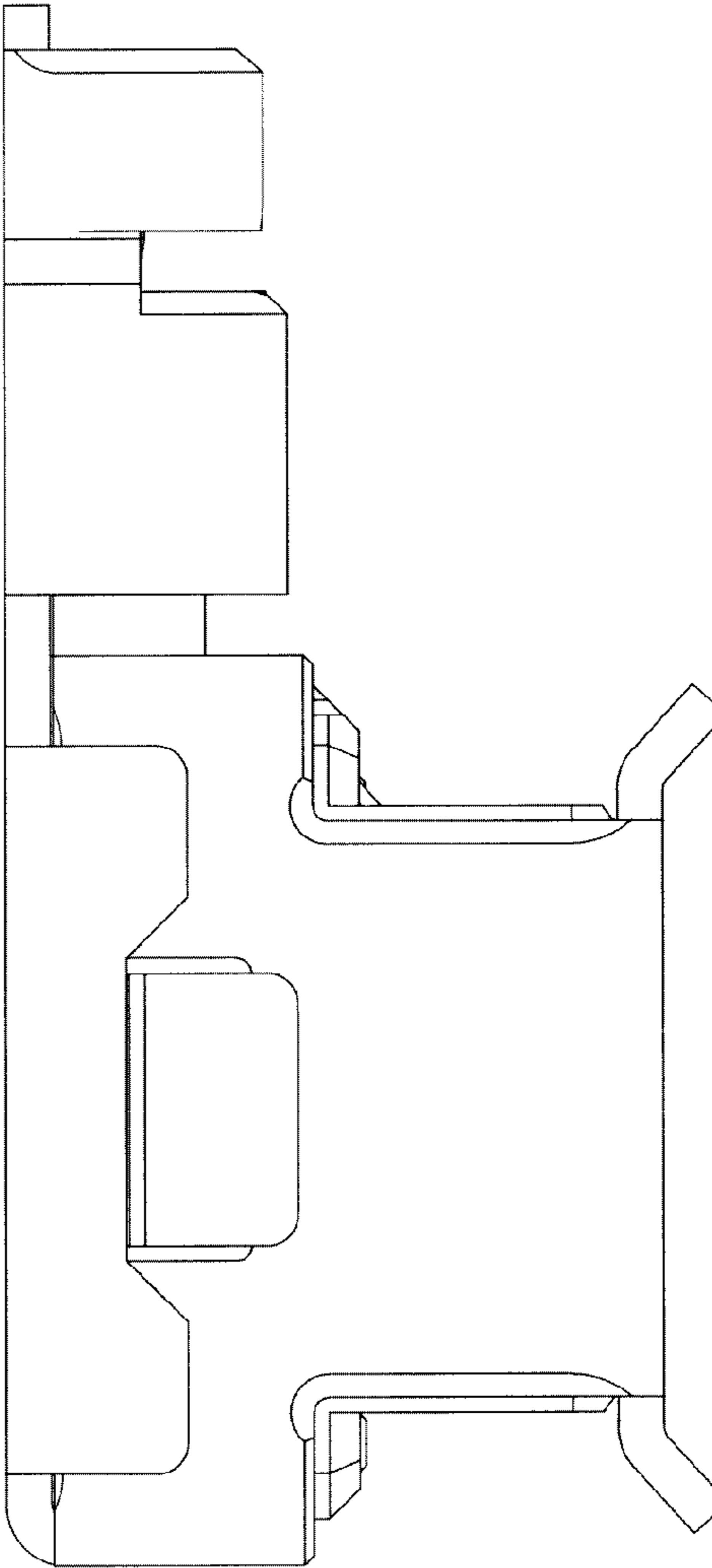


FIG. 5

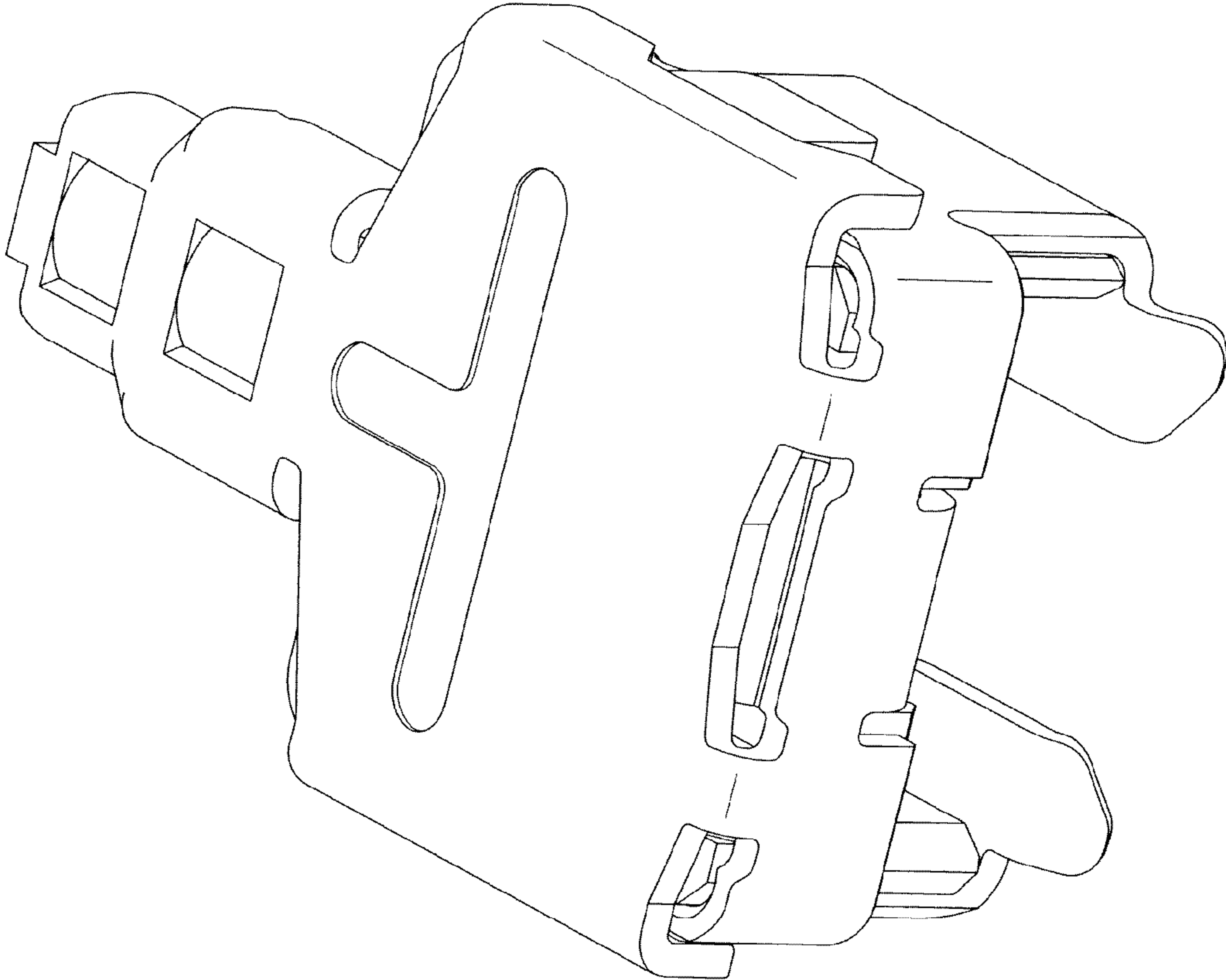


FIG. 6

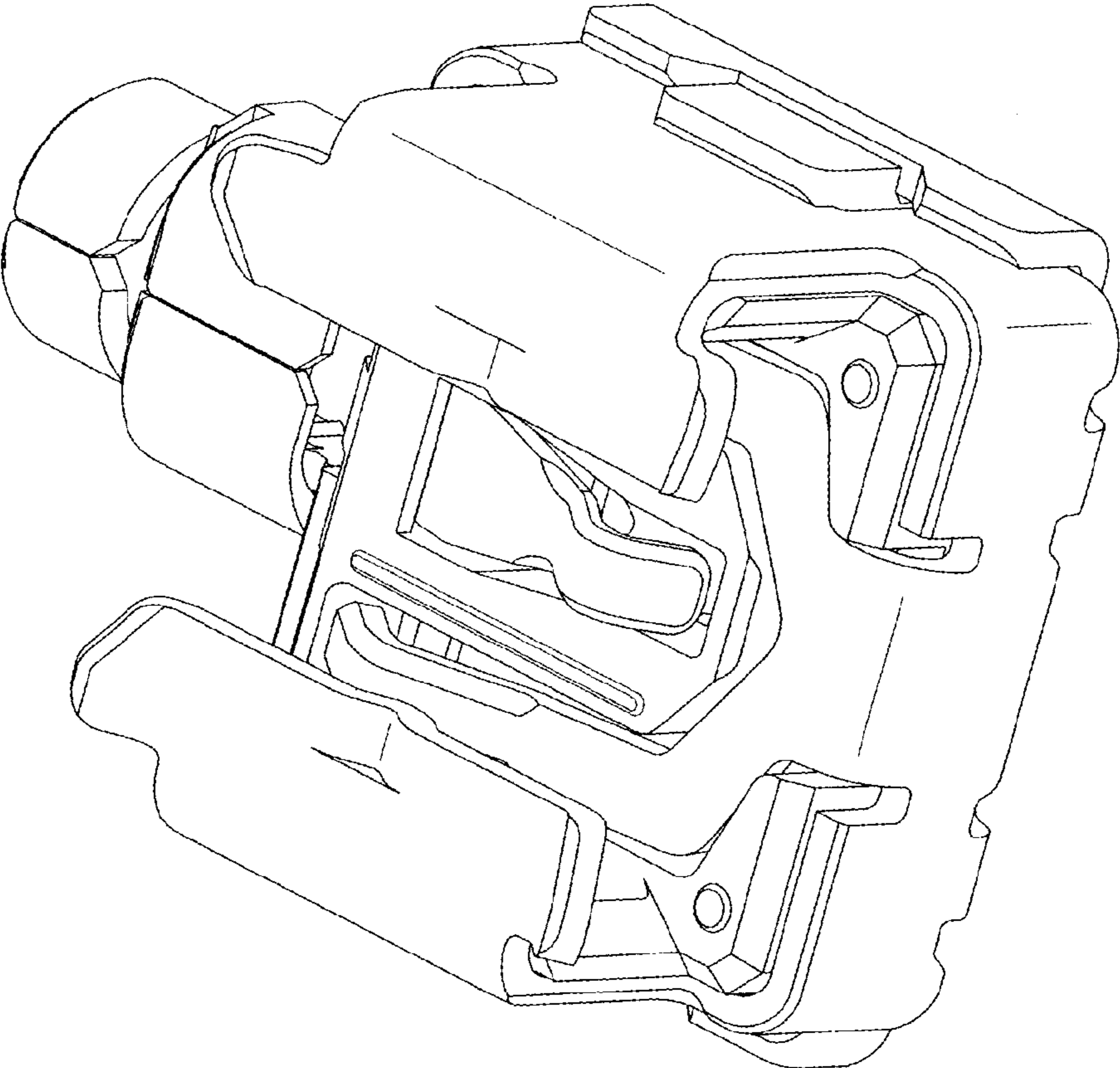


FIG. 7

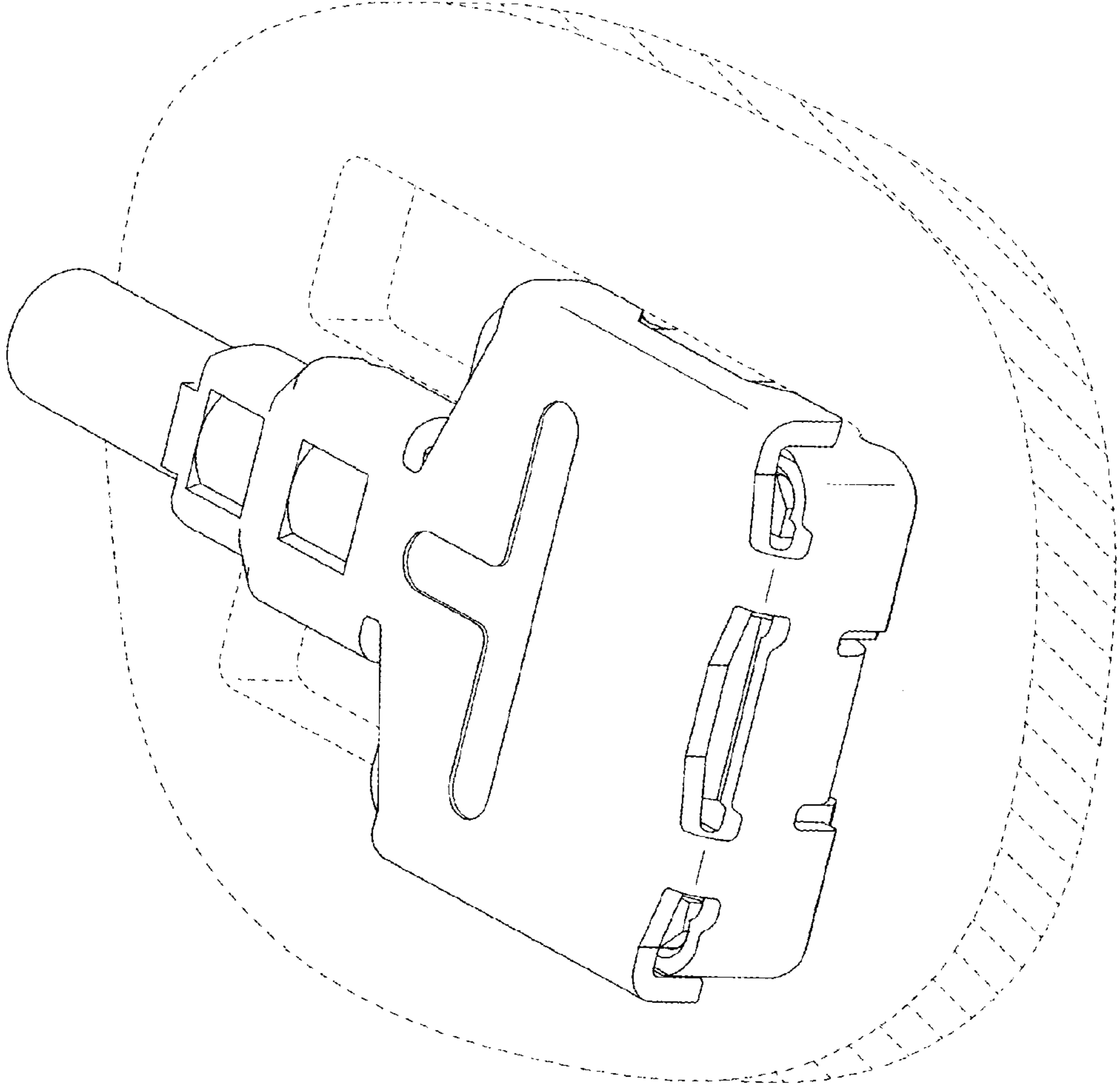


FIG. 8

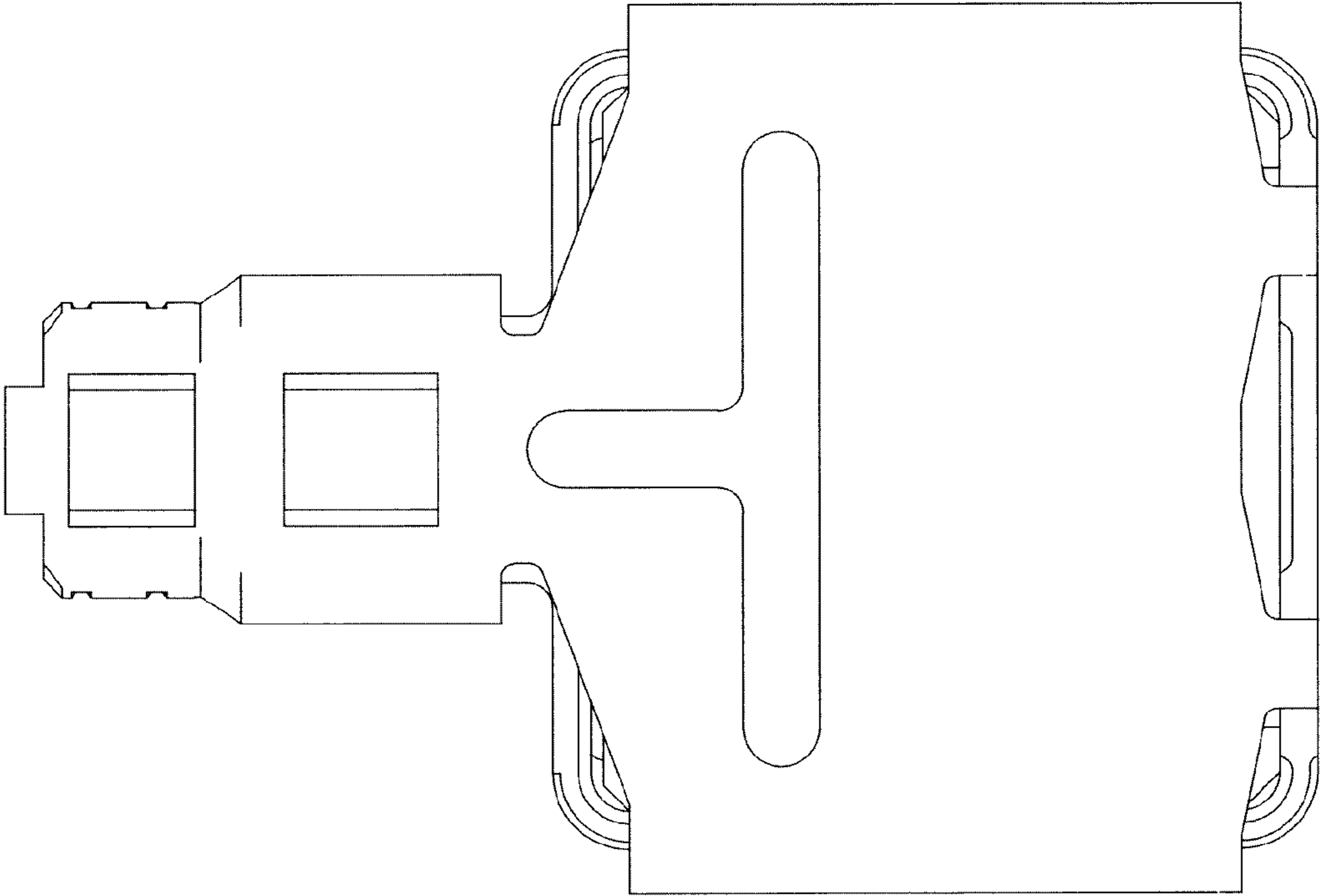


FIG. 9

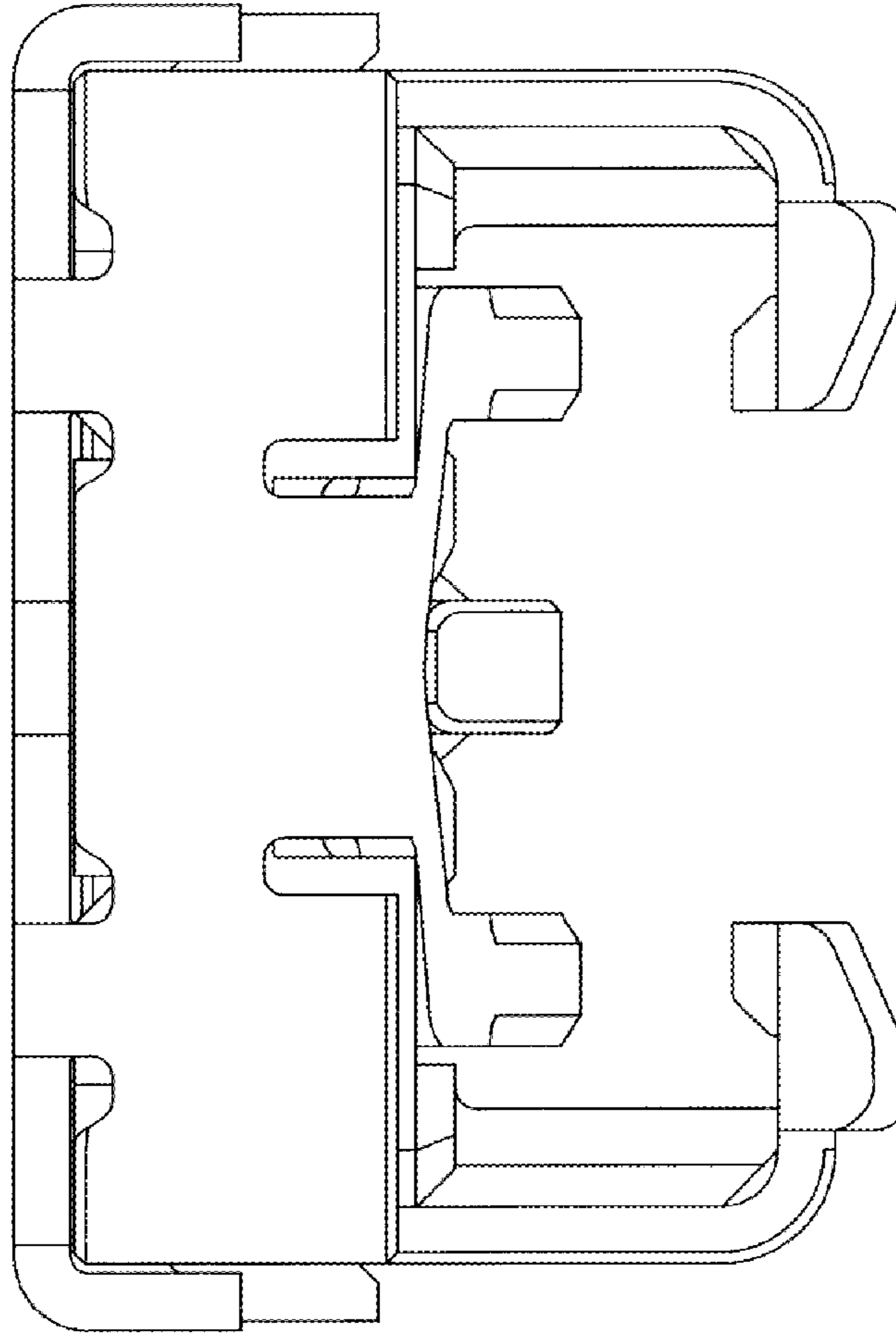


FIG. 10

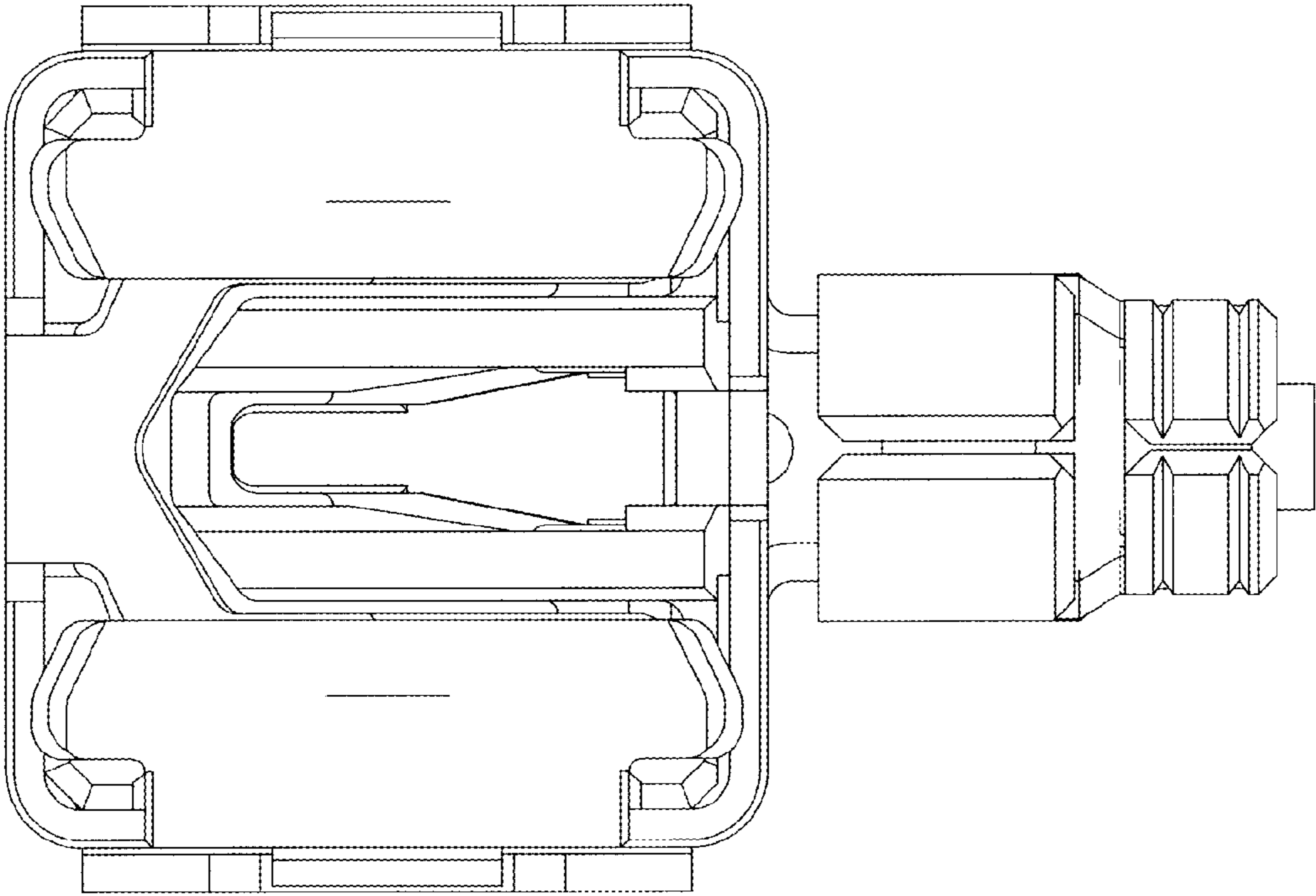


FIG. 11

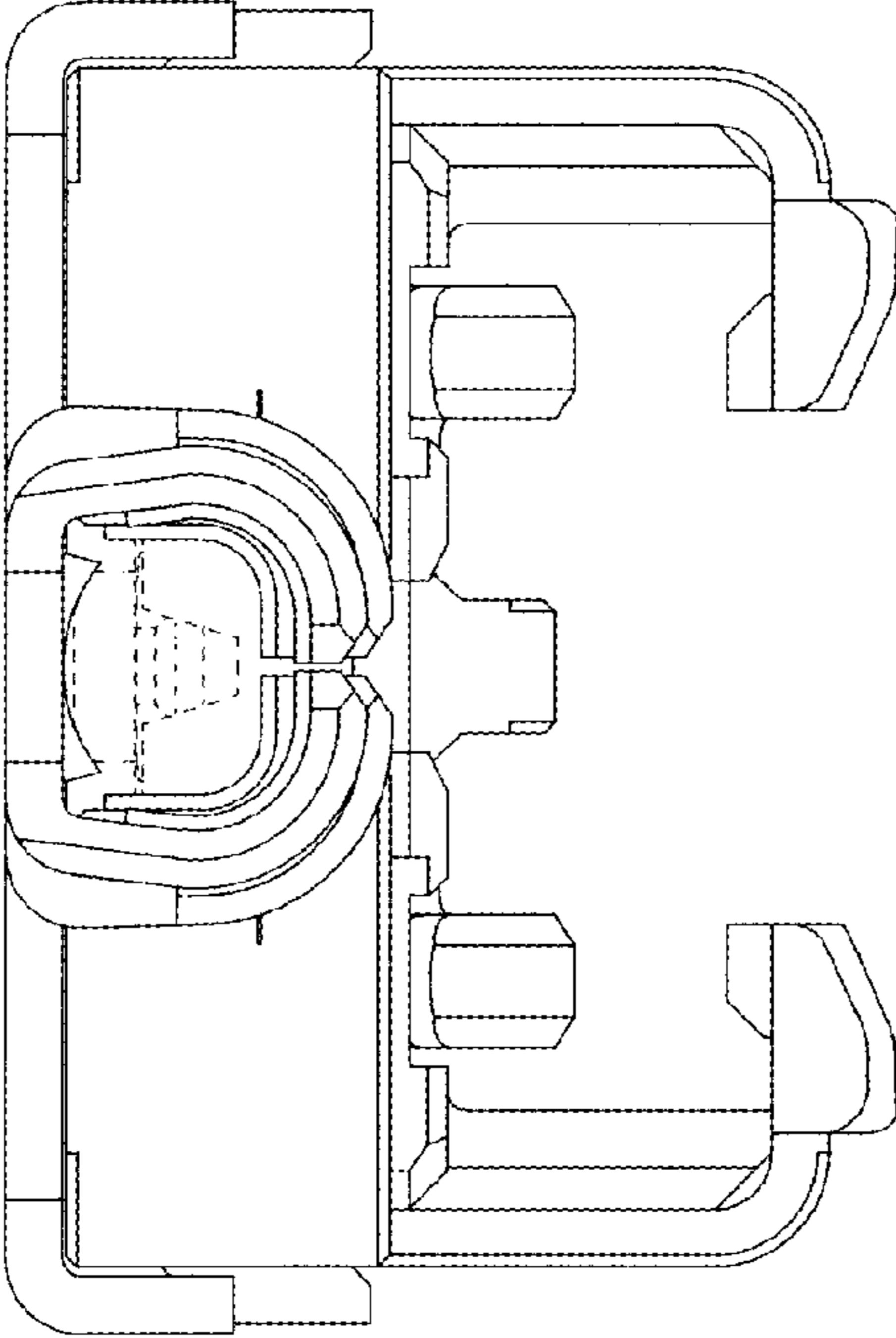


FIG. 12

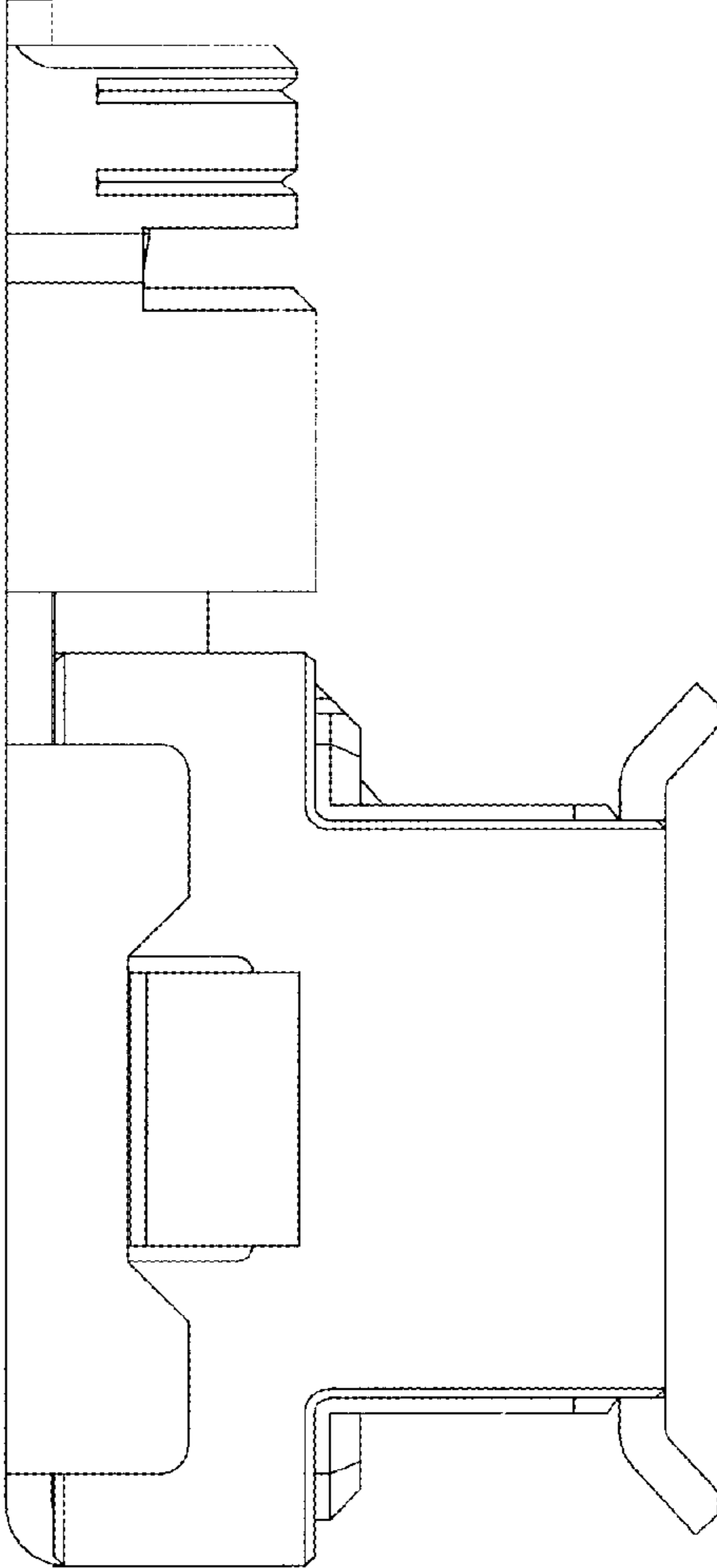


FIG. 13

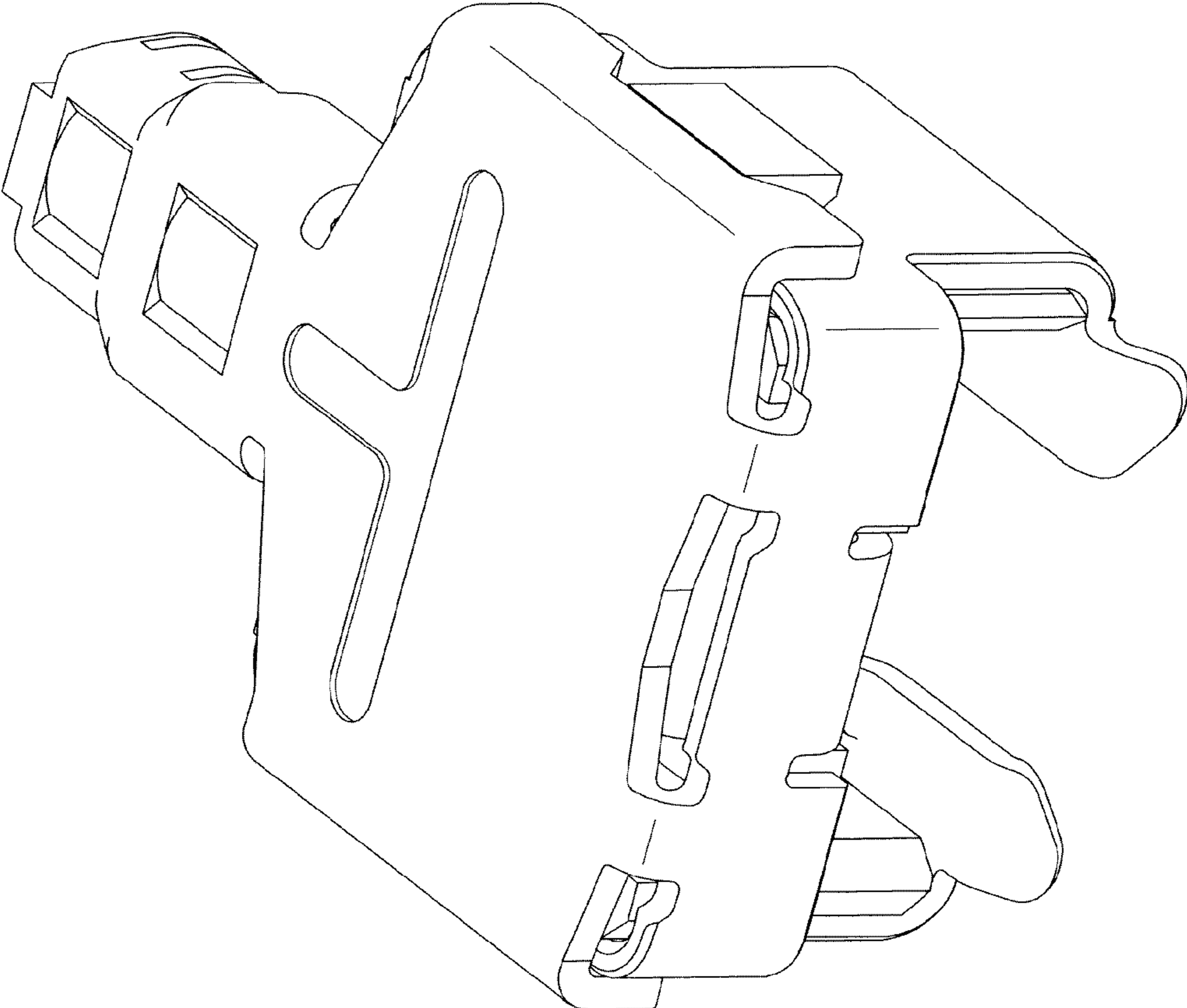


FIG. 14

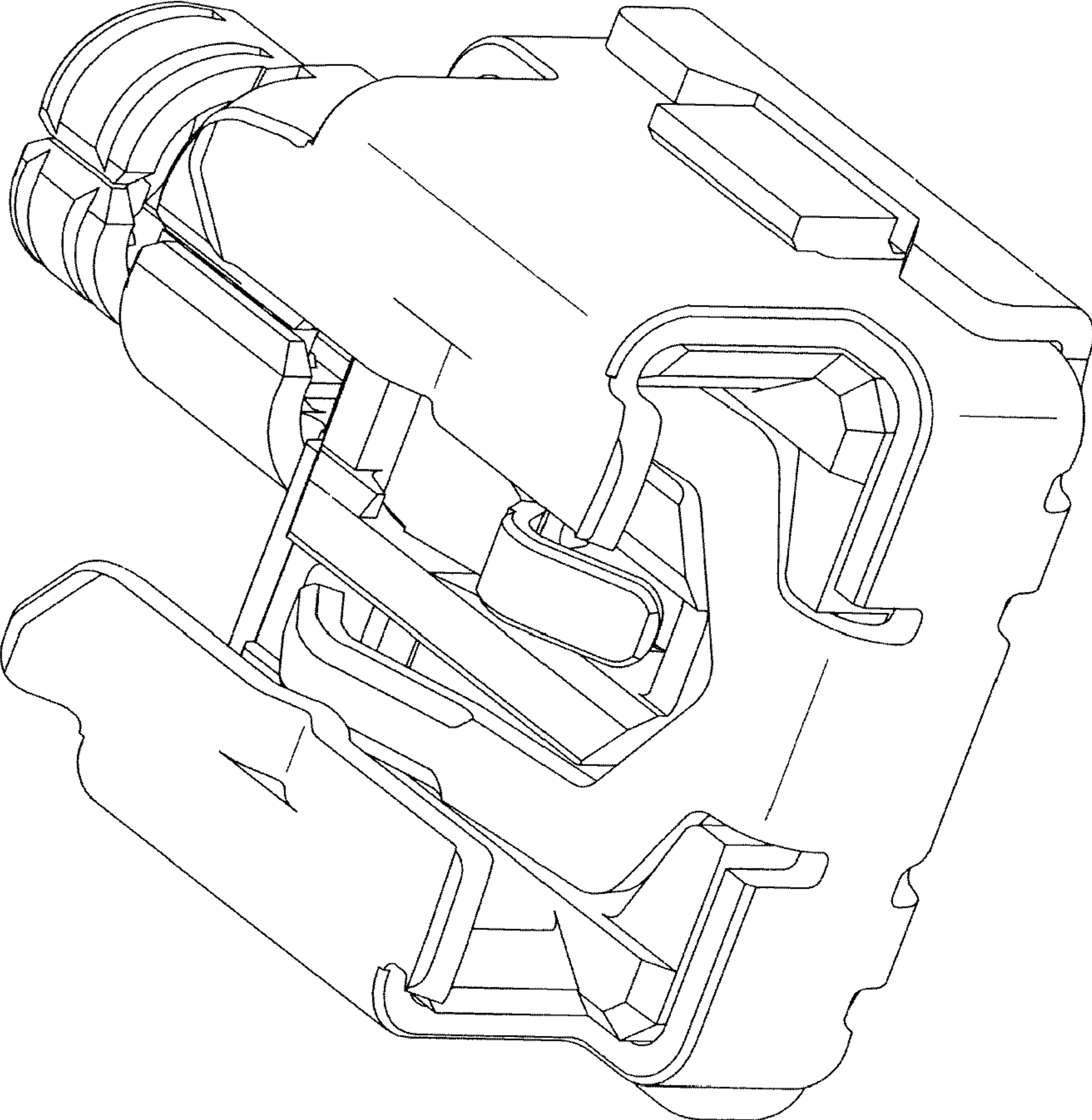


FIG. 15

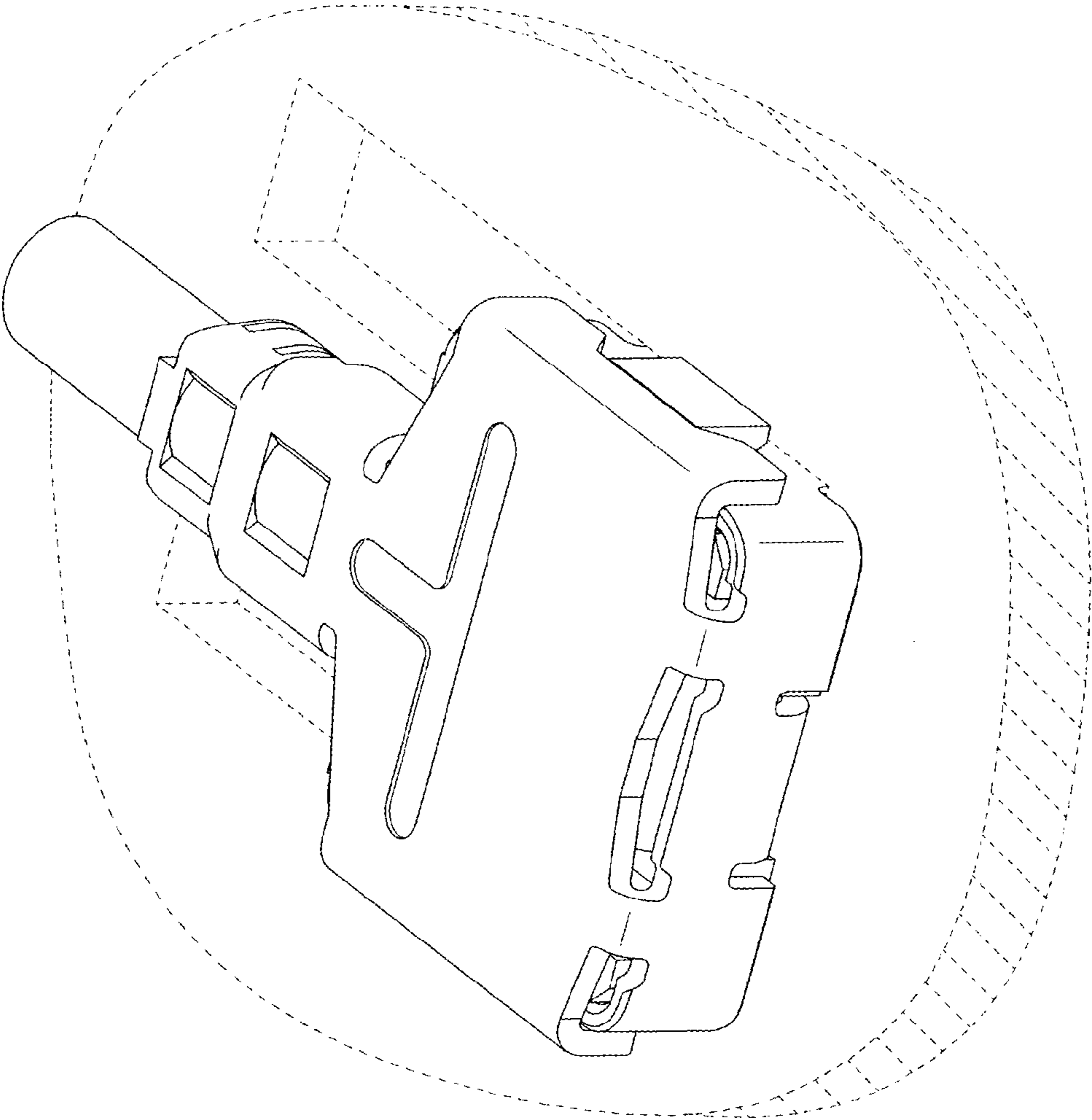


FIG. 16