



US00D673498S

(12) **United States Design Patent**
Collé

(10) **Patent No.:** **US D673,498 S**
(45) **Date of Patent:** **** Jan. 1, 2013**

(54) **STAND FOR HAIR CLIPPER**

D642,519 S * 8/2011 Woo et al. D13/108
D645,403 S * 9/2011 Seo et al. D13/108
D649,932 S * 12/2011 Symons D13/108
D657,741 S * 4/2012 Fahrendorff et al. D13/108

(75) Inventor: **Carine Collé**, Sanem (LU)

(73) Assignee: **WAHL GmbH**, Unterkirnach (DE)

* cited by examiner

(**) Term: **14 Years**

Primary Examiner — Brian N Vinson

(21) Appl. No.: **29/418,979**

(74) *Attorney, Agent, or Firm* — Muirhead and Saturnelli, LLC

(22) Filed: **Apr. 24, 2012**

(57) **CLAIM**

The ornamental design for a stand for hair clipper, as shown and described.

(30) **Foreign Application Priority Data**

Oct. 27, 2011 (EM) 001 938 960

DESCRIPTION

(51) **LOC (9) Cl.** **13-01**

(52) **U.S. Cl.** **D13/108**

(58) **Field of Classification Search** D6/526,
D6/524; D13/170, 108, 109, 110; D14/251,
D14/253, 217; 320/107, 110, 113, 114, 115
See application file for complete search history.

FIG. 1 is a perspective view showing the new design for a stand for hair clipper;
FIG. 2 is a front elevational view thereof;
FIG. 3 is a left side elevational view thereof;
FIG. 4 is a right side elevational view thereof;
FIG. 5 is a rear elevational view thereof;
FIG. 6 is a top plan view thereof; and,
FIG. 7 is a bottom plan view thereof.

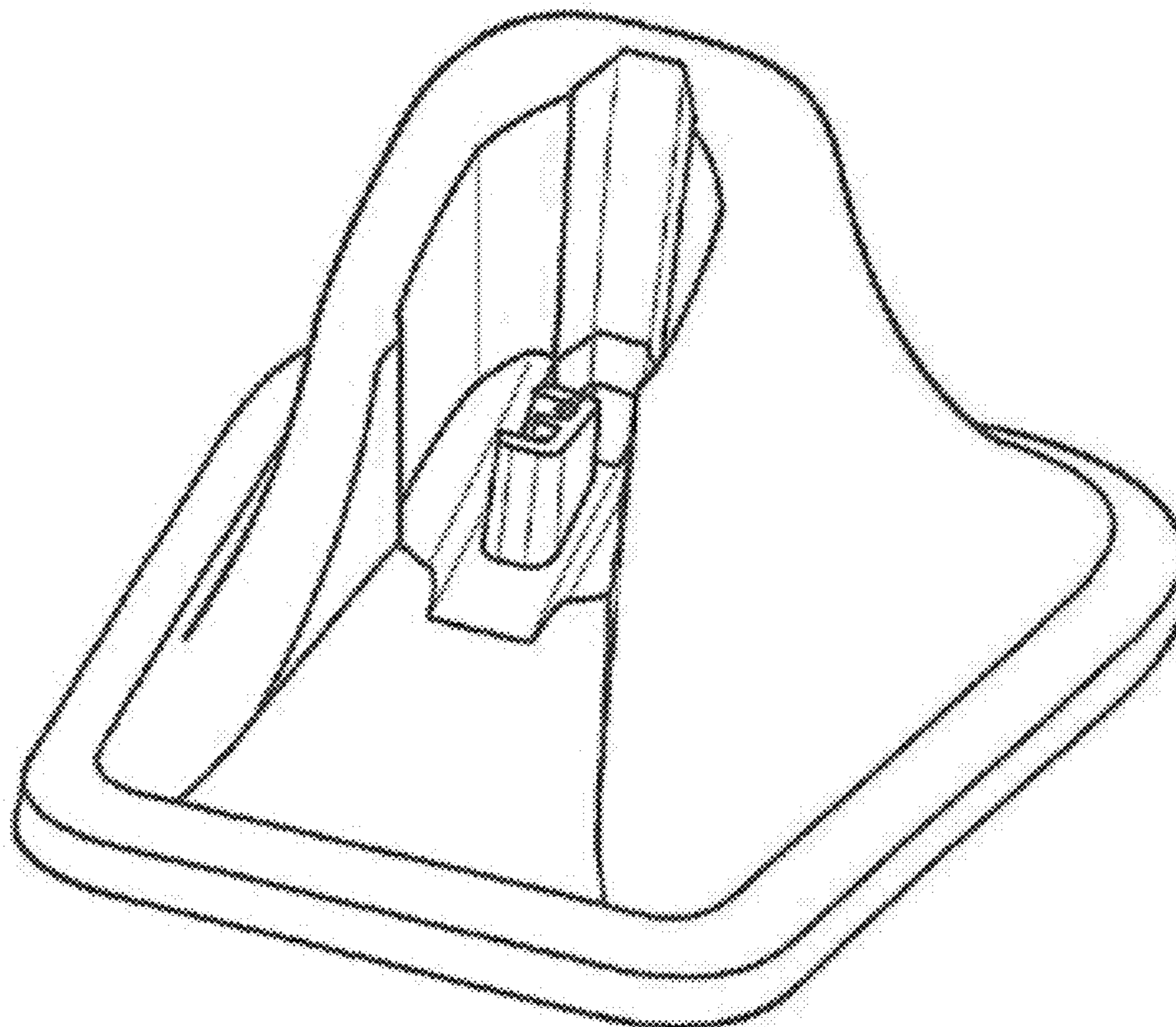
(56) **References Cited**

U.S. PATENT DOCUMENTS

D606,491 S * 12/2009 Rosen D13/108
D610,984 S * 3/2010 Khan et al. D13/108
D637,155 S * 5/2011 Jeon et al. D13/108
D640,194 S * 6/2011 Kim et al. D13/108

The broken lines shown in the drawings illustrate portions of environmental structure and form no part of the claimed design.

1 Claim, 7 Drawing Sheets



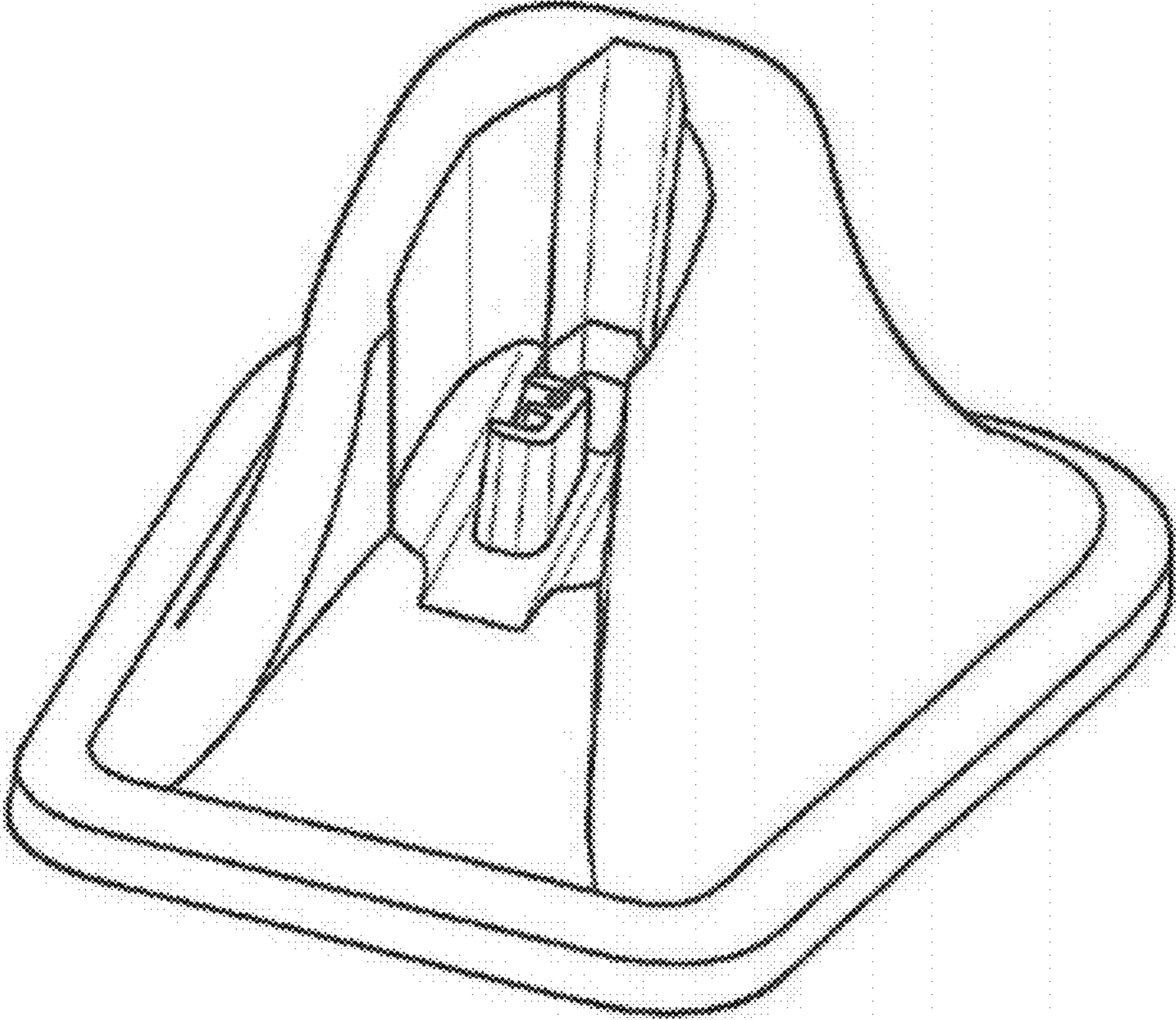


FIG. 1

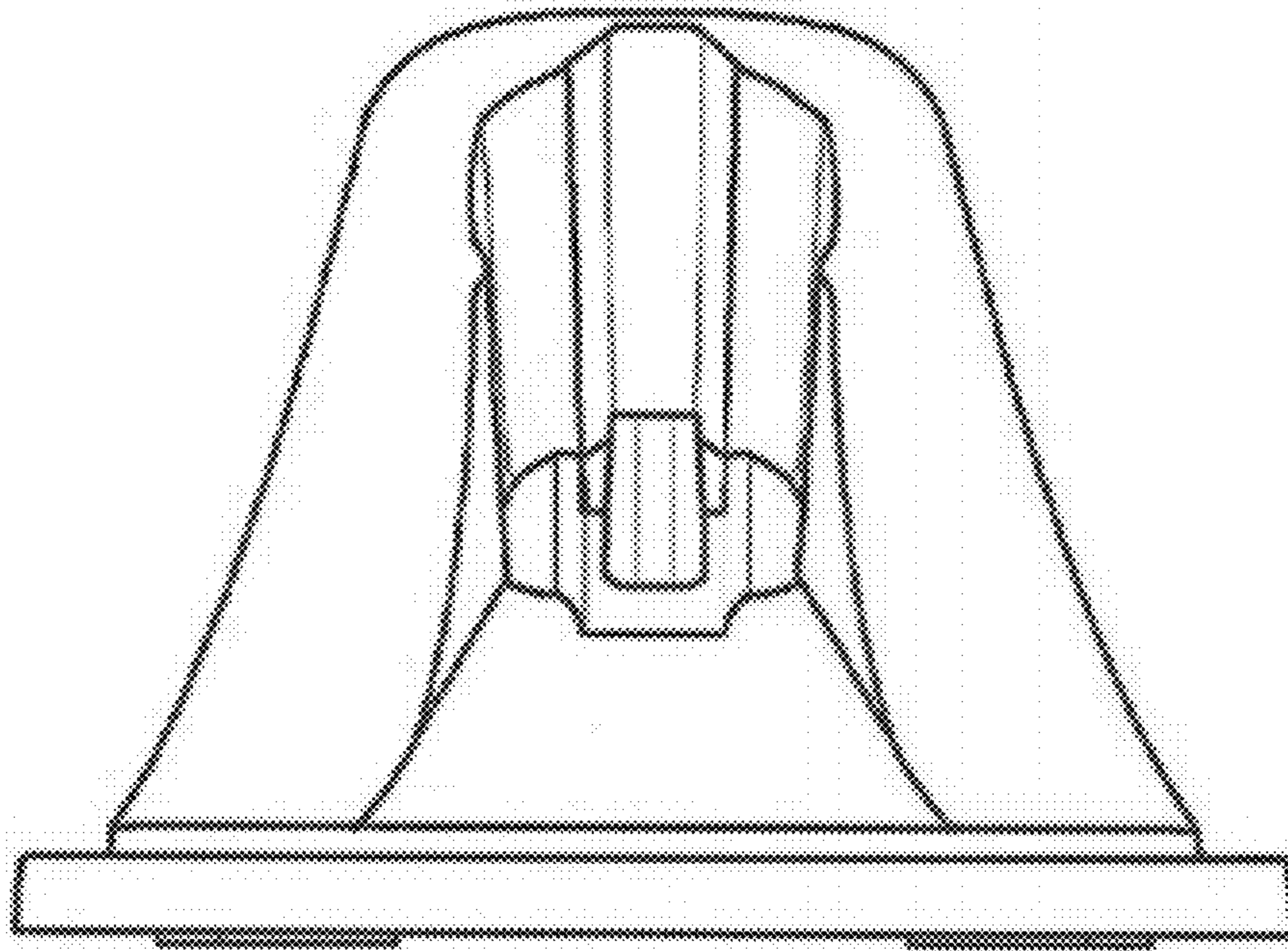


FIG. 2

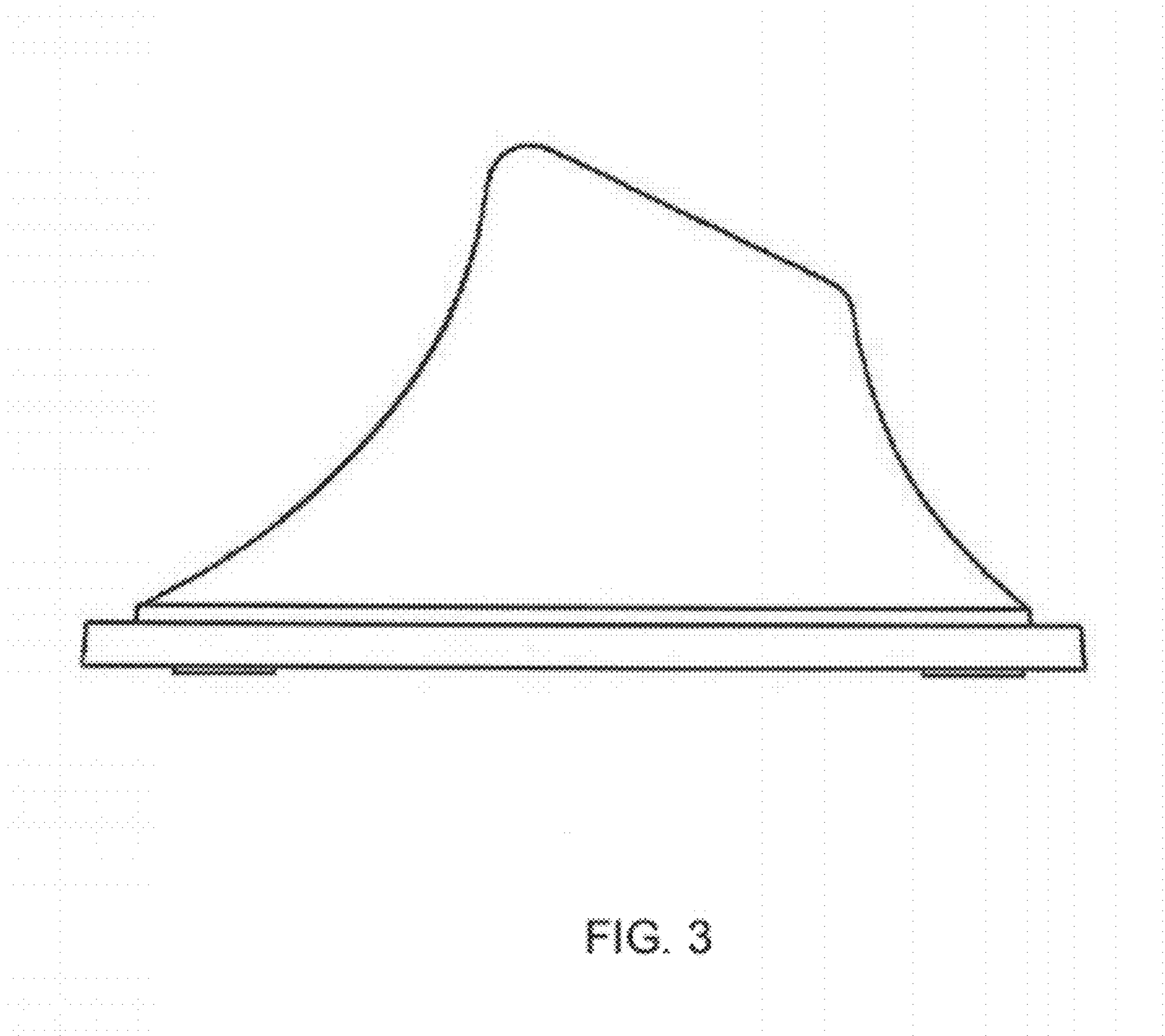


FIG. 3

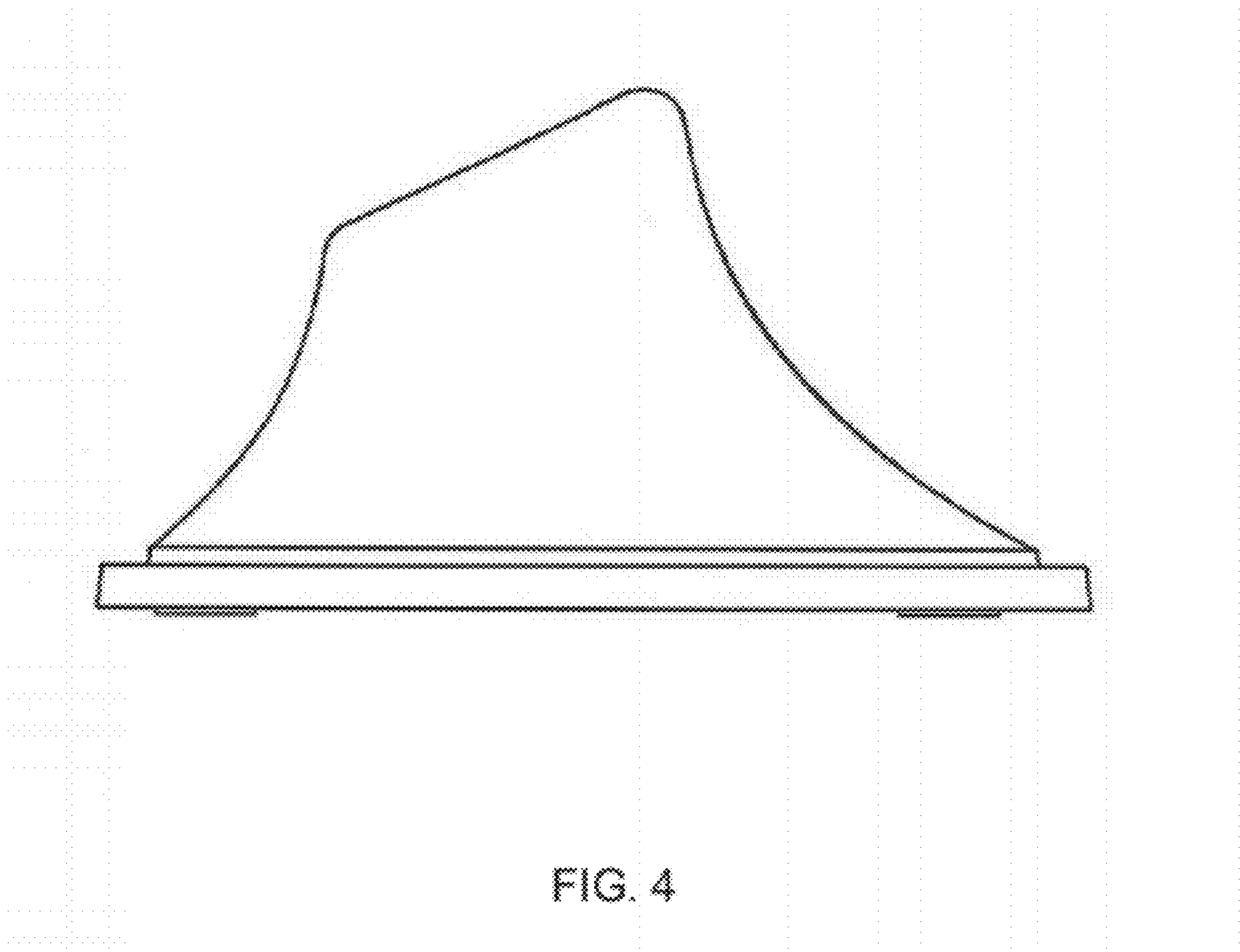


FIG. 4

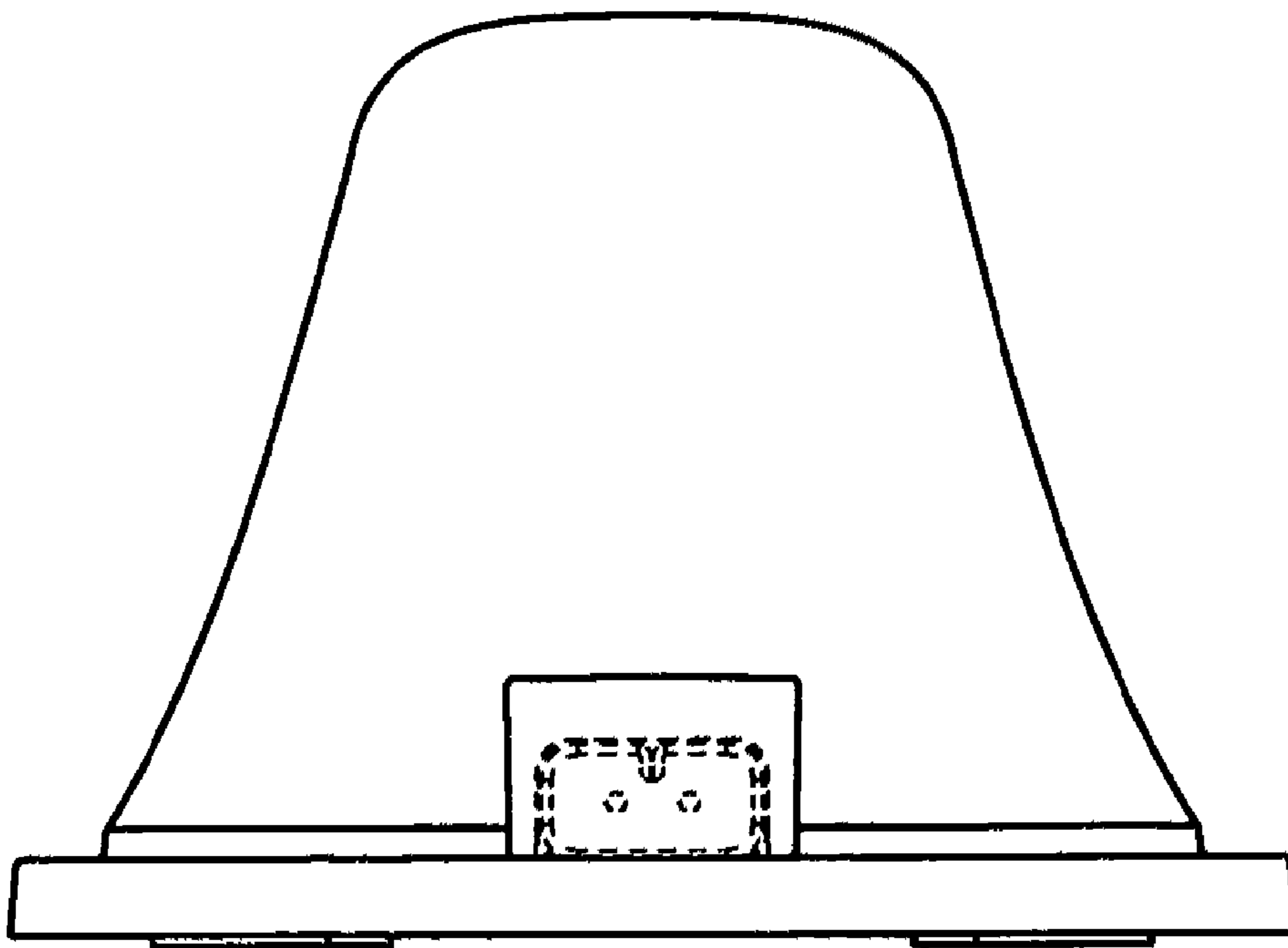


FIG. 5

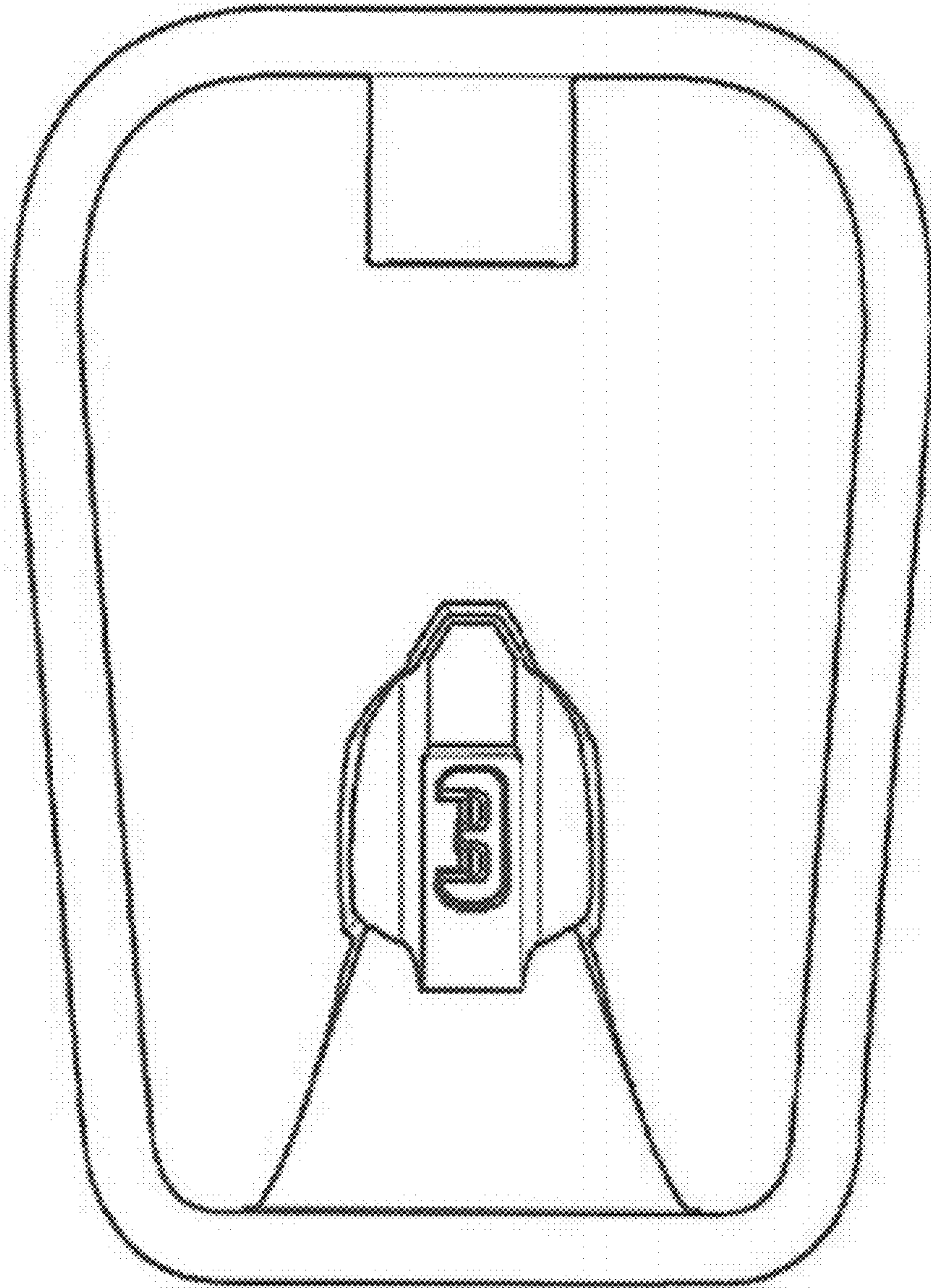


FIG. 6

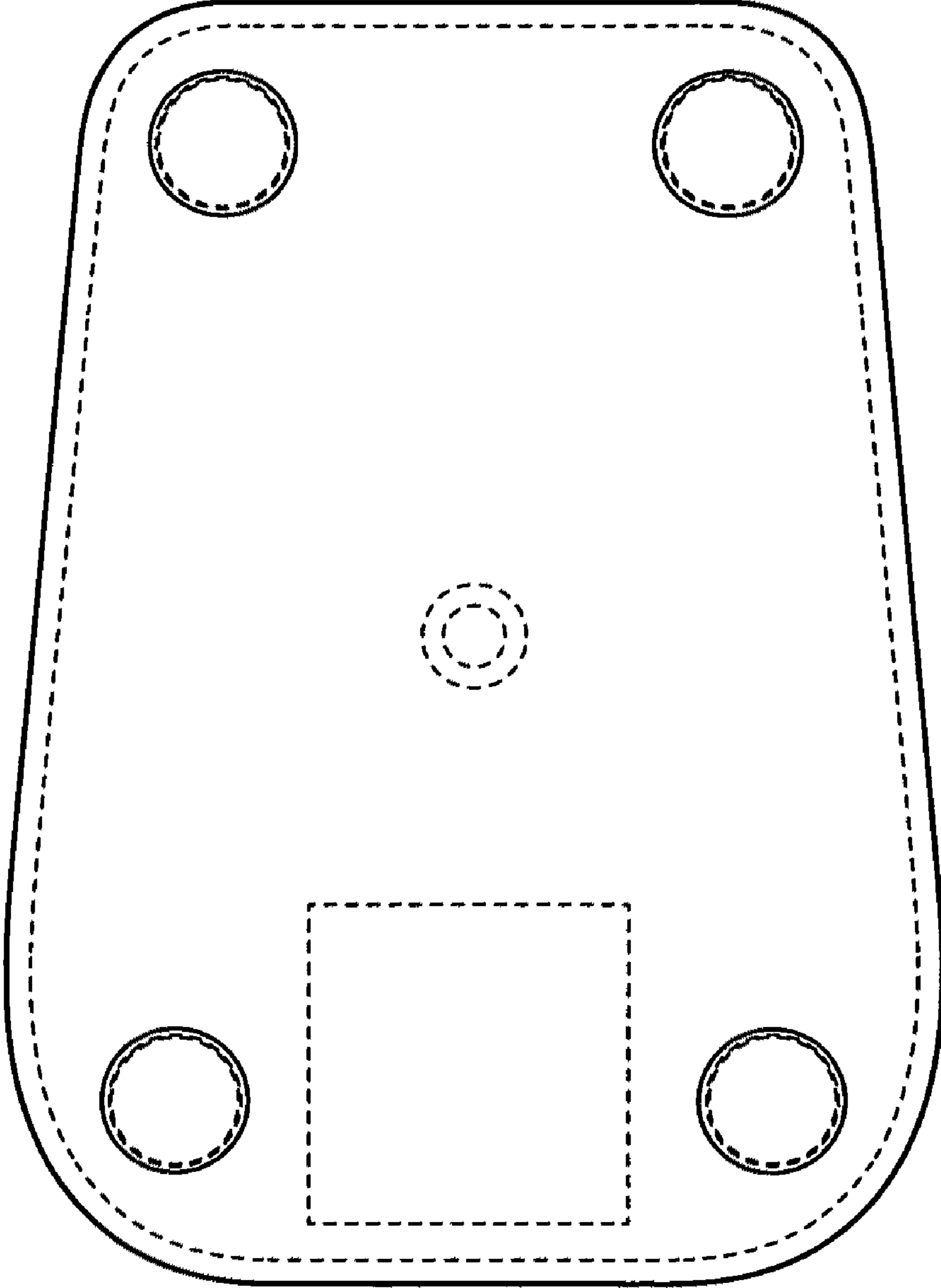


FIG. 7