



US00D673492S

(12) **United States Design Patent**
Müller

(10) **Patent No.:** **US D673,492 S**
(45) **Date of Patent:** **** Jan. 1, 2013**

(54) **WHEEL RIM**
(75) Inventor: **Peter Müller**, Raesfeld (DE)
(73) Assignee: **Brabus GmbH**, Bottrop (DE)
(**) Term: **14 Years**
(21) Appl. No.: **29/412,248**
(22) Filed: **Feb. 1, 2012**
(30) **Foreign Application Priority Data**

Aug. 1, 2011 (EM) 1899170
(51) **LOC (9) Cl.** **12-16**
(52) **U.S. Cl.** **D12/209**
(58) **Field of Classification Search** D12/204-213;
301/37.101, 64.101, 65
See application file for complete search history.

(56) **References Cited**

U.S. PATENT DOCUMENTS
D579,846 S * 11/2008 Chung D12/209

D609,154 S * 2/2010 Rider et al. D12/209
D630,564 S * 1/2011 Baum D12/209
D655,659 S * 3/2012 Schweizer D12/209

* cited by examiner

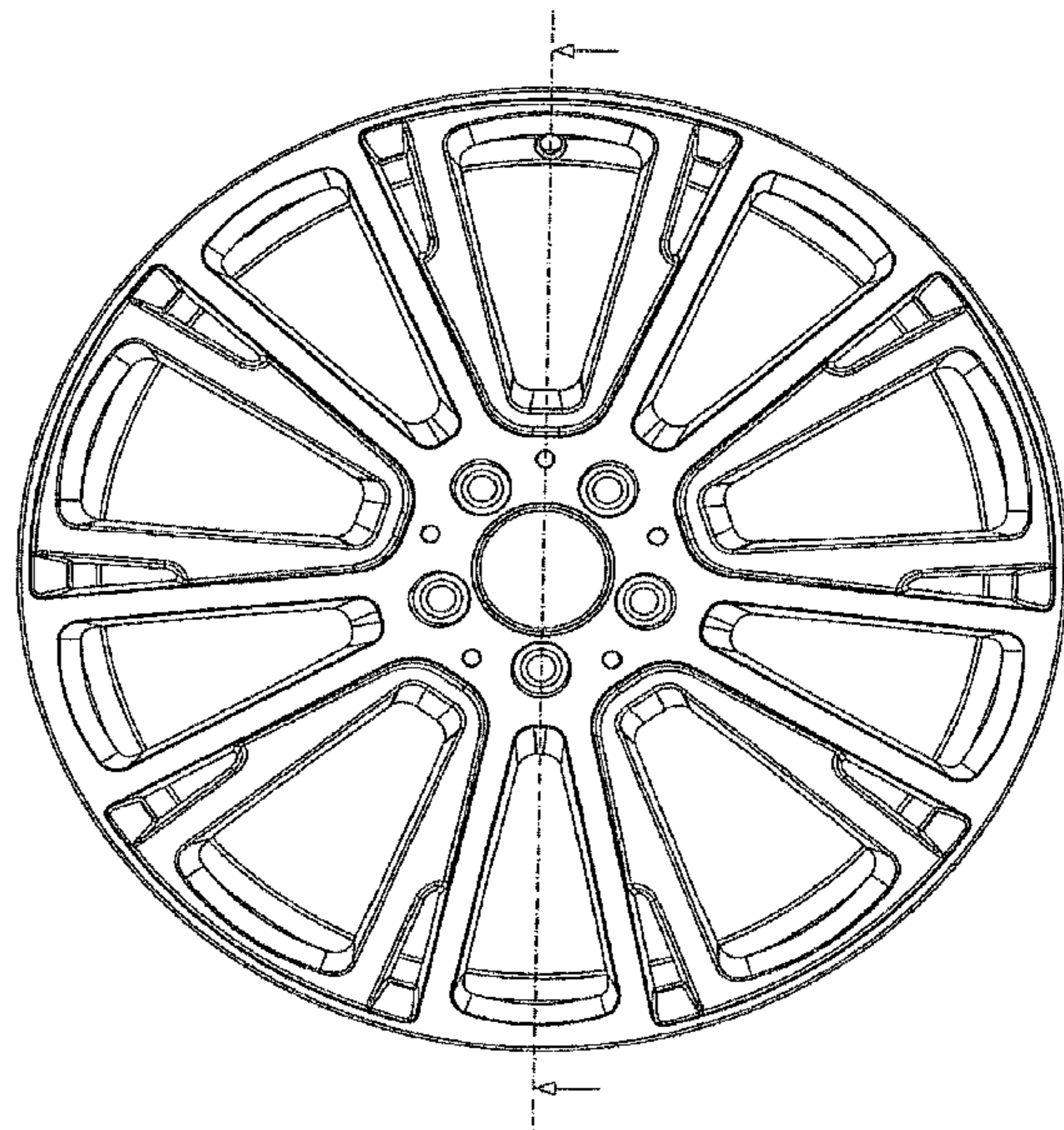
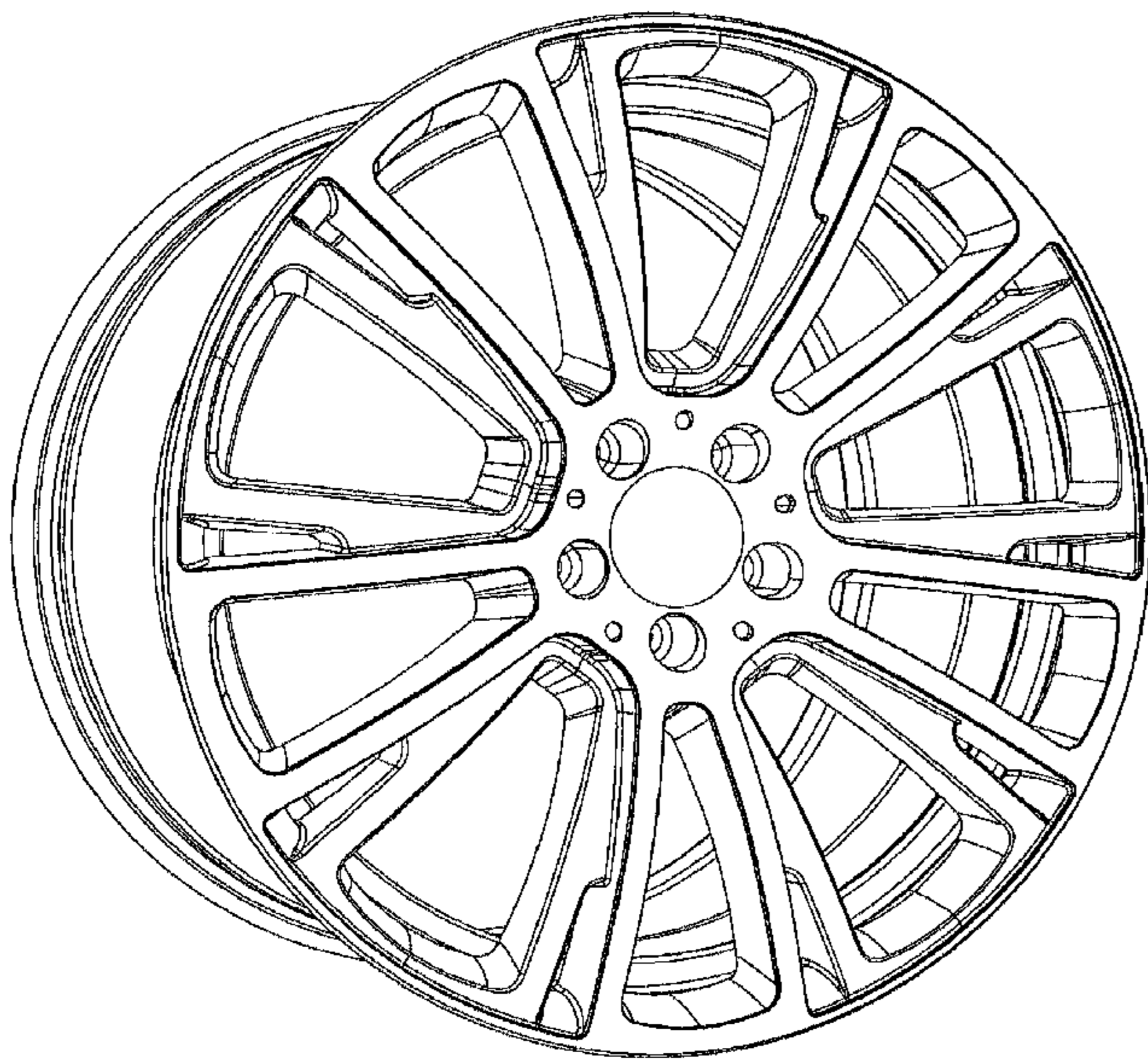
Primary Examiner — Stacia Cadmus
(74) *Attorney, Agent, or Firm* — Gudrum E. Hockett

(57) **CLAIM**
The ornamental design for a wheel rim, as shown and described.

DESCRIPTION

FIG. 1 is a perspective view of my wheel rim;
FIG. 2 is a front view of my wheel rim; and,
FIG. 3 is a section view of my wheel rim.

1 Claim, 3 Drawing Sheets



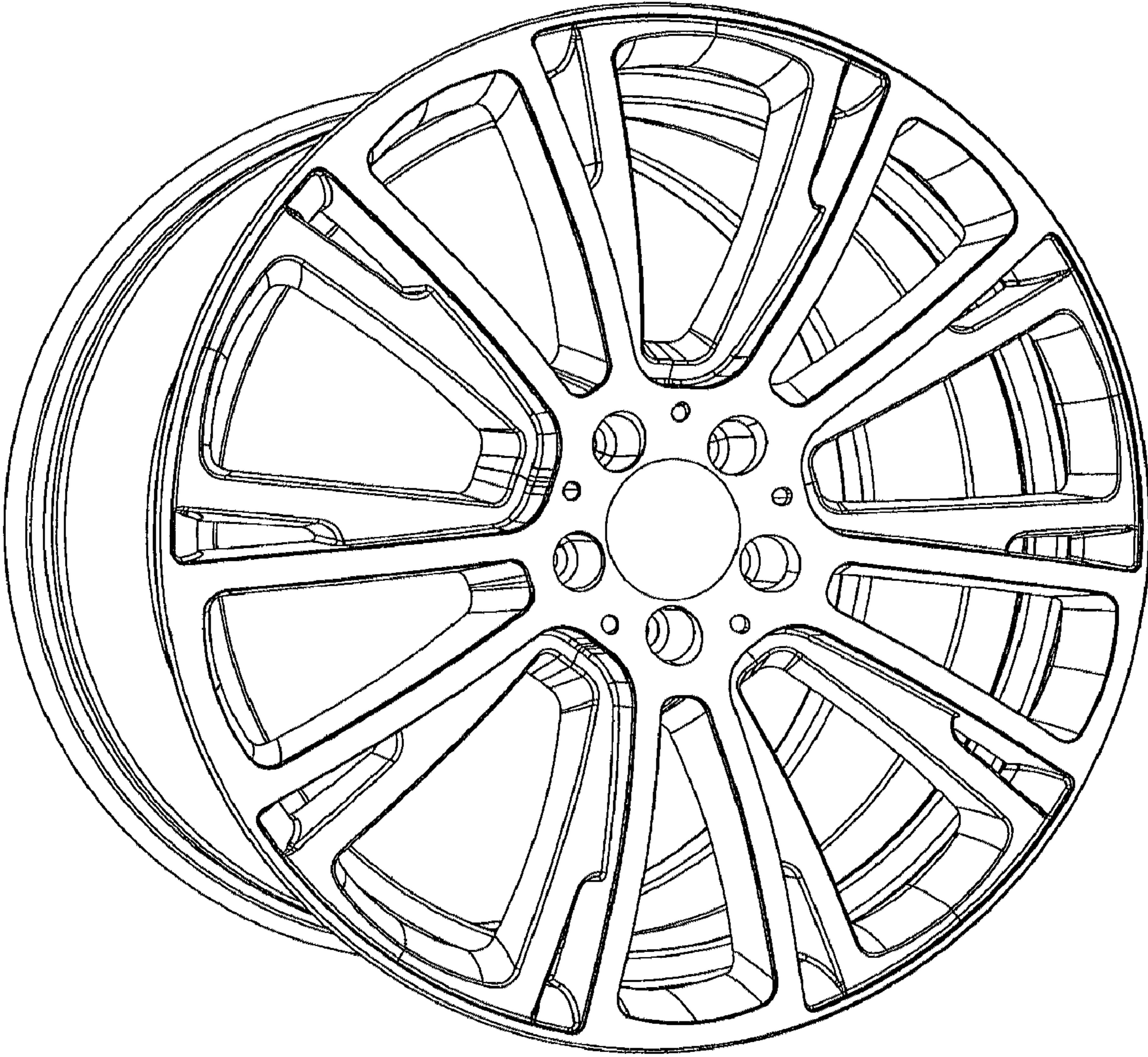


Fig. 1

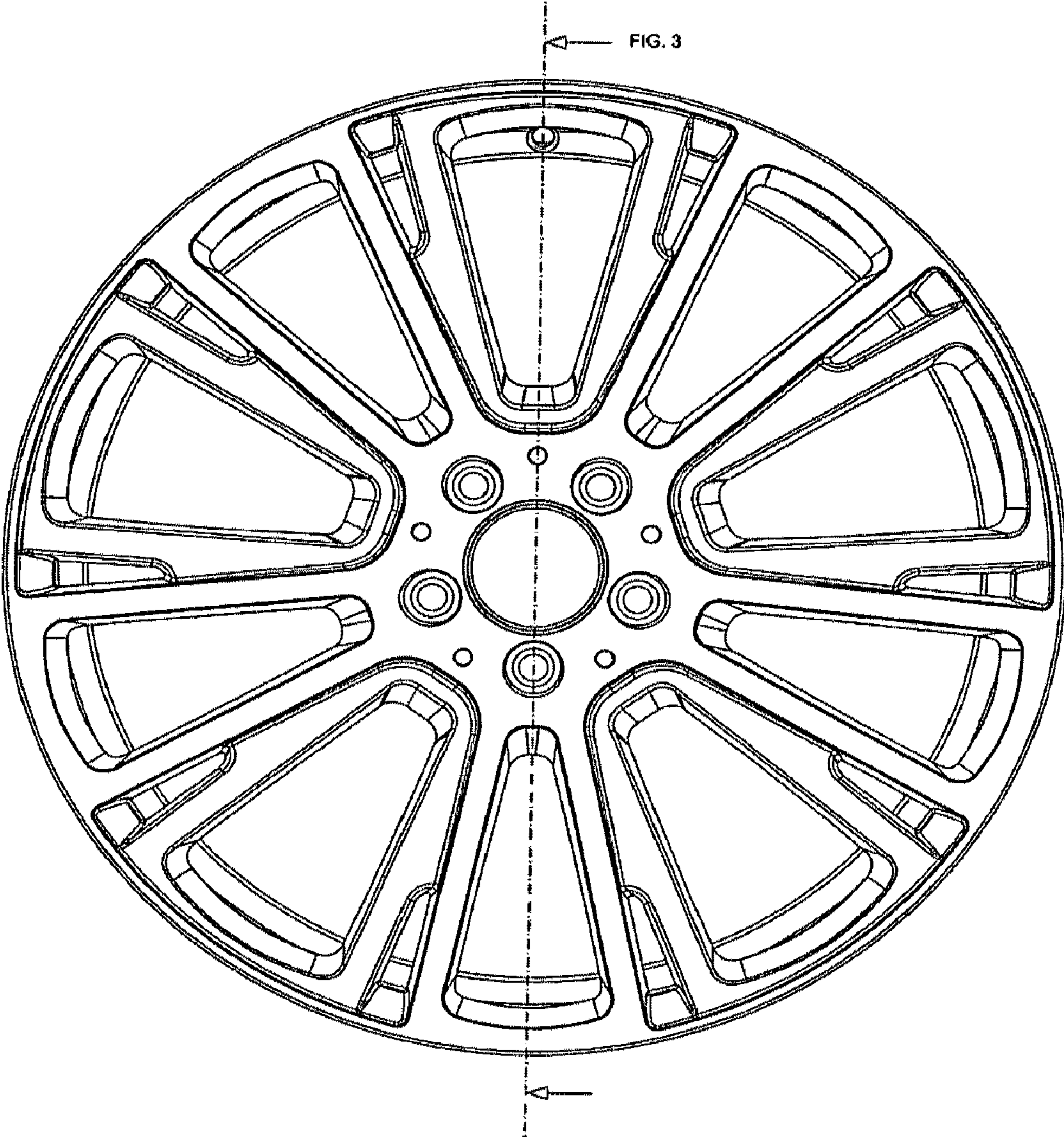


Fig. 2

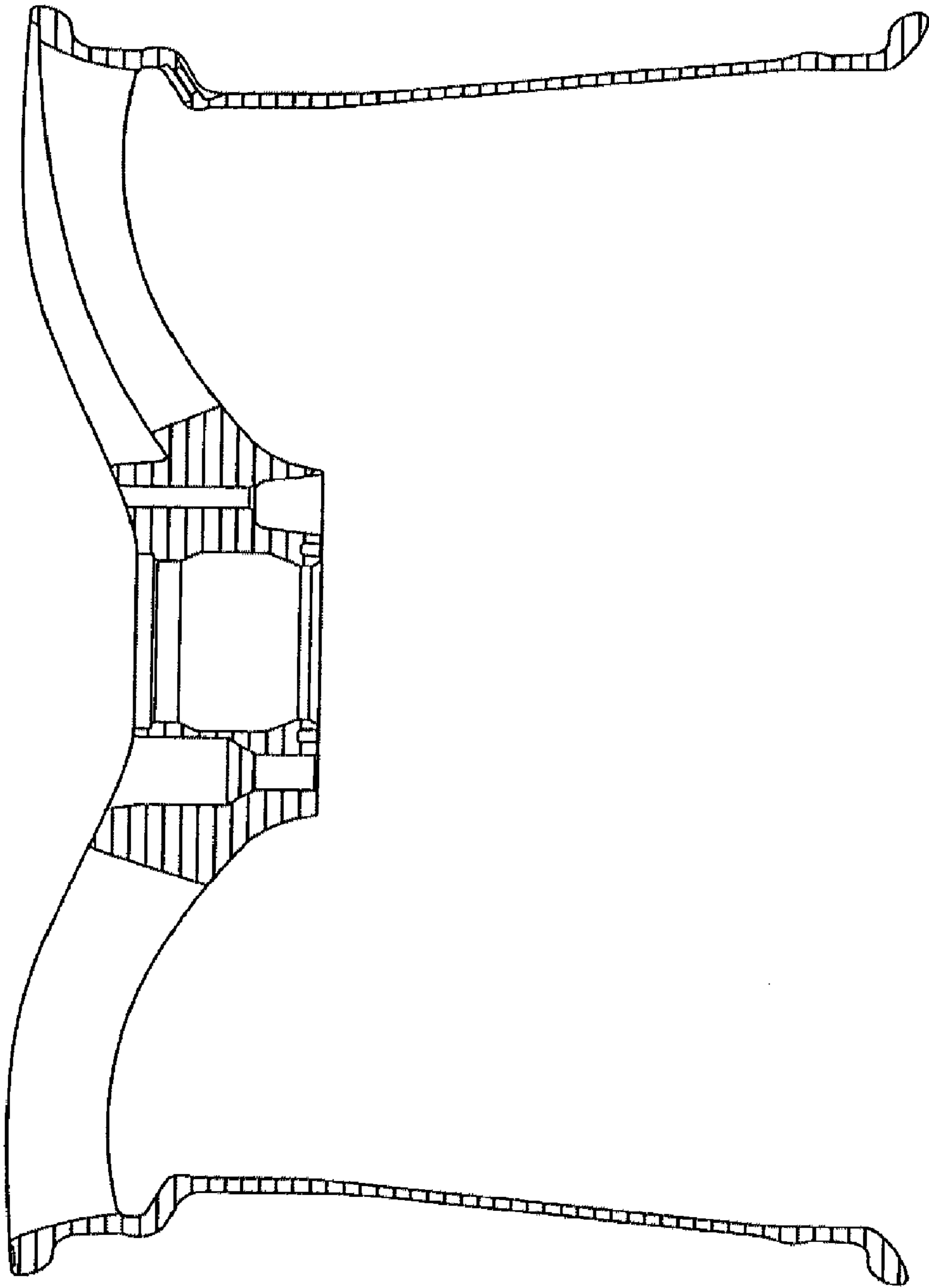


Fig. 3