



US00D673486S

(12) **United States Design Patent**
Parkes et al.

(10) **Patent No.:** **US D673,486 S**
(45) **Date of Patent:** **** Jan. 1, 2013**

(54) **GRILLE OF A RECREATIONAL VEHICLE**
(75) Inventors: **Eric J. Parkes**, Junction City, OR (US);
Patrick Quinn, White Lake, MI (US); **L. David Allendorph**, Fort Wayne, IN (US)

(73) Assignee: **International Truck Intellectual Property Company, LLC**, Lisle, IL (US)

(**) Term: **14 Years**

(21) Appl. No.: **29/397,694**

(22) Filed: **Jul. 20, 2011**

(51) **LOC (9) Cl.** **12-16**

(52) **U.S. Cl.** **D12/169**

(58) **Field of Classification Search** D12/169,
D12/196, 171, 216, 163, 86, 90-92; 293/102,
293/113, 115, 117, 120; 296/180.1, 180.2
See application file for complete search history.

(56) **References Cited**

U.S. PATENT DOCUMENTS

D400,836 S	11/1998	Reynard
D401,198 S	11/1998	Mueller
D403,285 S	12/1998	Abalos
D447,099 S	8/2001	Tirey
D452,464 S	12/2001	Beigel
D455,381 S	4/2002	Maher
D522,936 S	6/2006	Beigel
D545,730 S	7/2007	Lee
D557,183 S	12/2007	Beigel
D566,015 S	4/2008	Beigel

D571,694 S	*	6/2008	Zheng	D12/163
D572,178 S	*	7/2008	Zheng	D12/163
D572,635 S	*	7/2008	Zheng	D12/163
D581,325 S	*	11/2008	Zheng	D12/169
D592,561 S		5/2009	Otto		
D597,898 S	*	8/2009	Nakamura	D12/163
D604,210 S	*	11/2009	Kim	D12/163
D609,140 S	*	2/2010	Iwasaki	D12/163
D612,776 S		3/2010	Beigel		
D619,054 S		7/2010	Beigel		
D637,530 S		5/2011	Aris		
D640,610 S	*	6/2011	Schell et al.	D12/163
D645,796 S	*	9/2011	Osawa	D12/163
D645,797 S		9/2011	Beigel		
D656,869 S	*	4/2012	Fetherston et al.	D12/163

* cited by examiner

Primary Examiner — Melody N Brown

(74) *Attorney, Agent, or Firm* — Jeffrey P. Calfa; Mark C. Bach; Gerald W. Askew

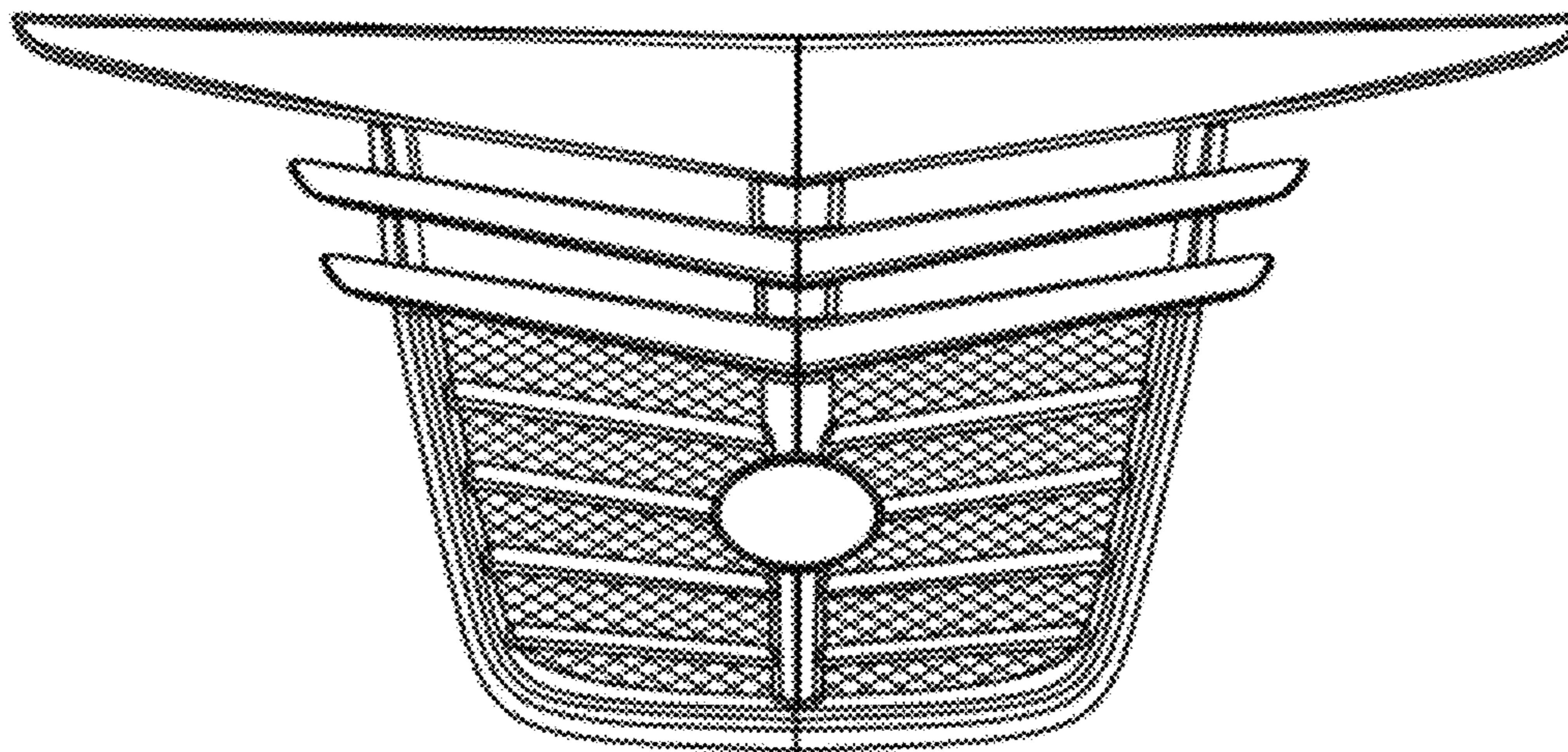
(57) **CLAIM**

The ornamental design for a grille of a recreational vehicle, as shown and described.

DESCRIPTION

FIG. 1 is a FRONT AND LEFT SIDE PERSPECTIVE view of a grille of a recreational vehicle showing our new design; FIG. 2 is a TOP PLAN view thereof; FIG. 3 is a FRONT ELEVATION view thereof; FIG. 4 is a REAR ELEVATION view thereof; FIG. 5 is a RIGHT SIDE ELEVATION view thereof; and, FIG. 6 is a LEFT SIDE ELEVATION view thereof.

1 Claim, 3 Drawing Sheets



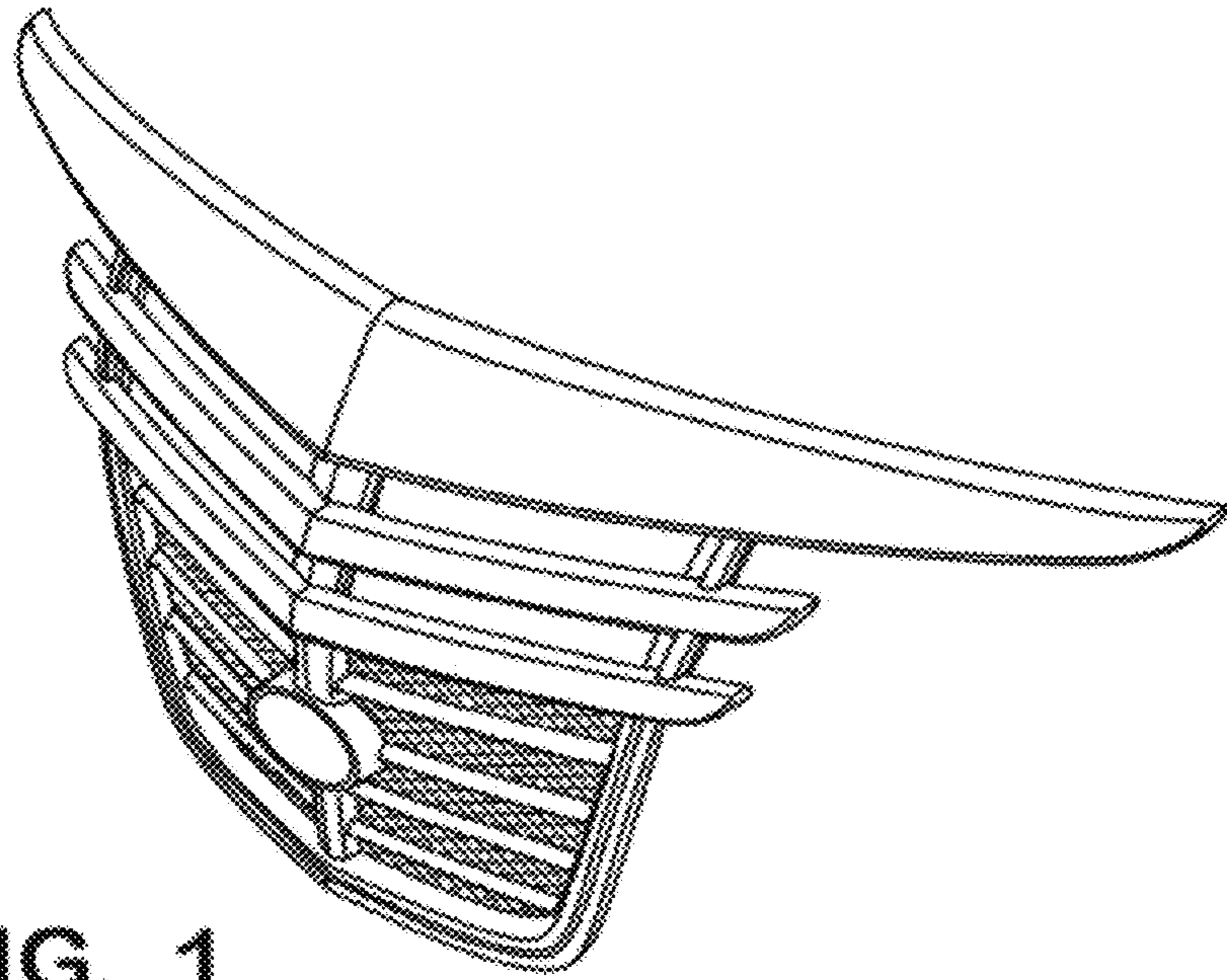


FIG. 1

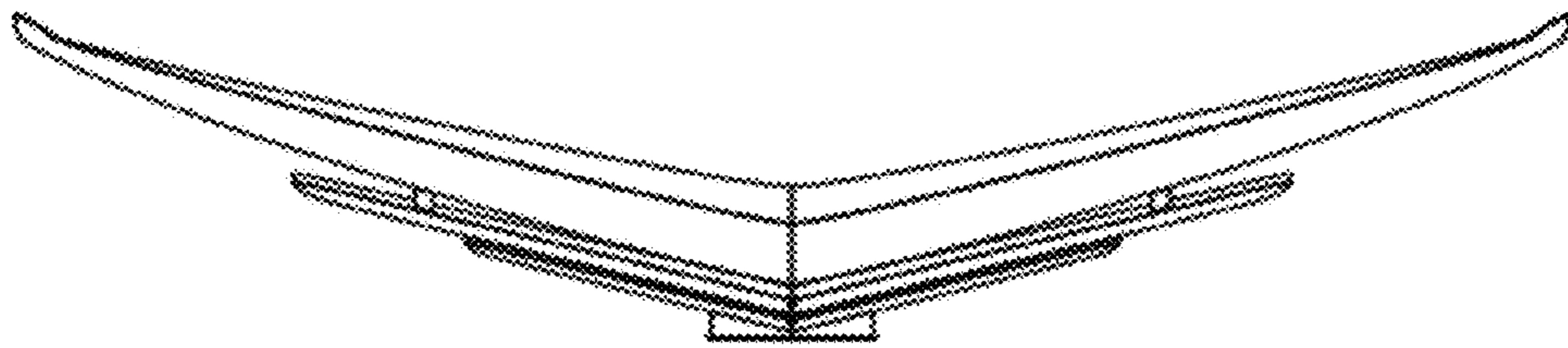


FIG. 2

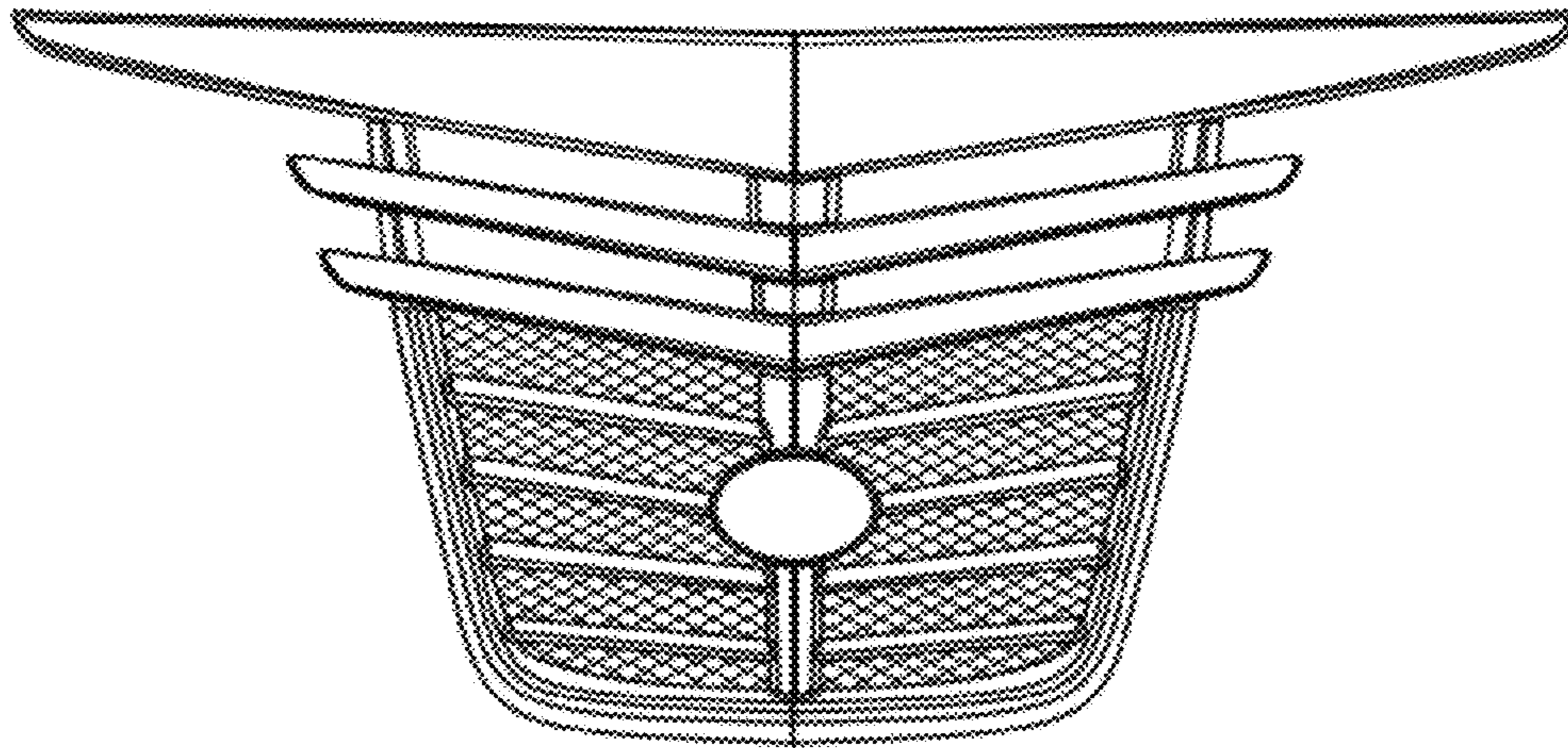


FIG. 3

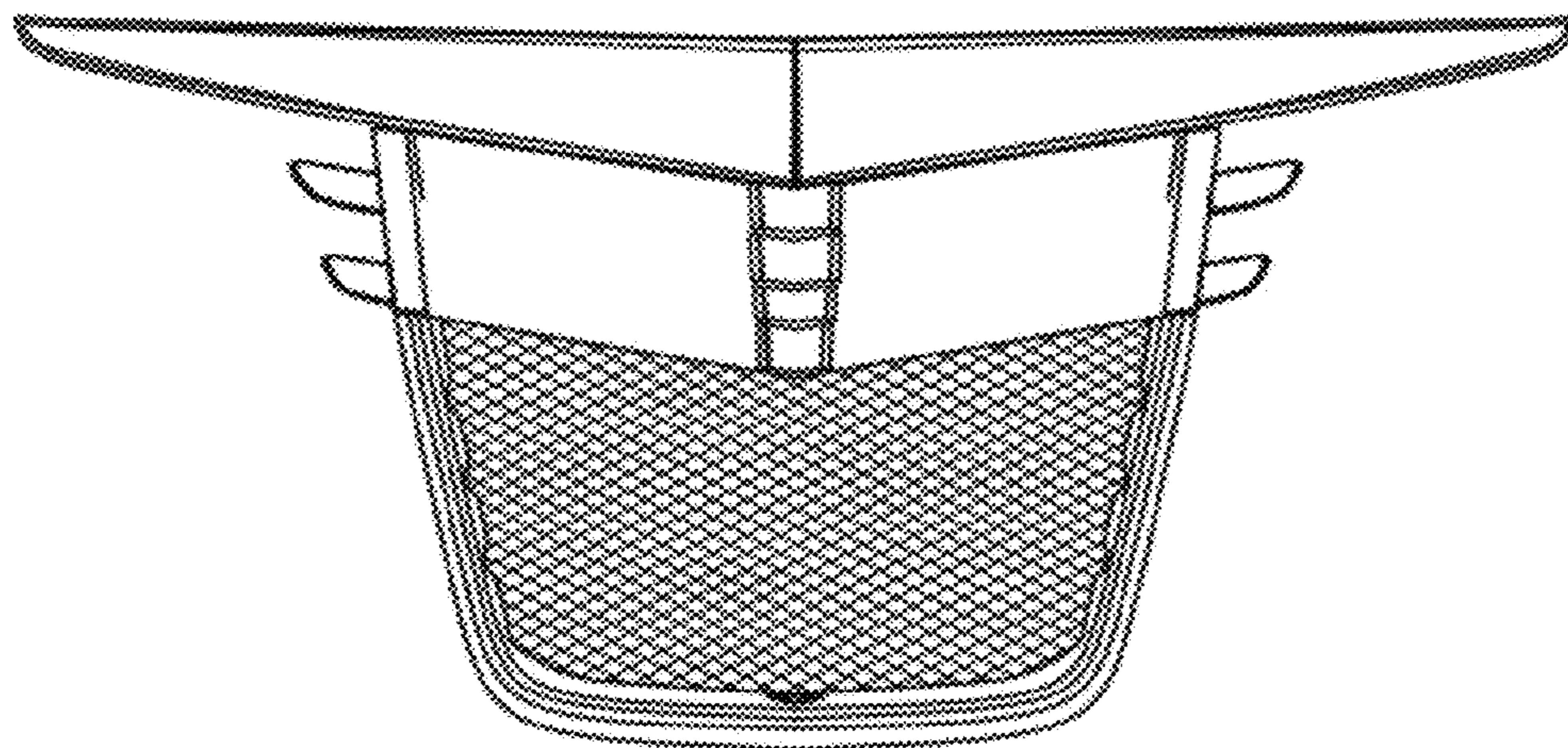


FIG. 4

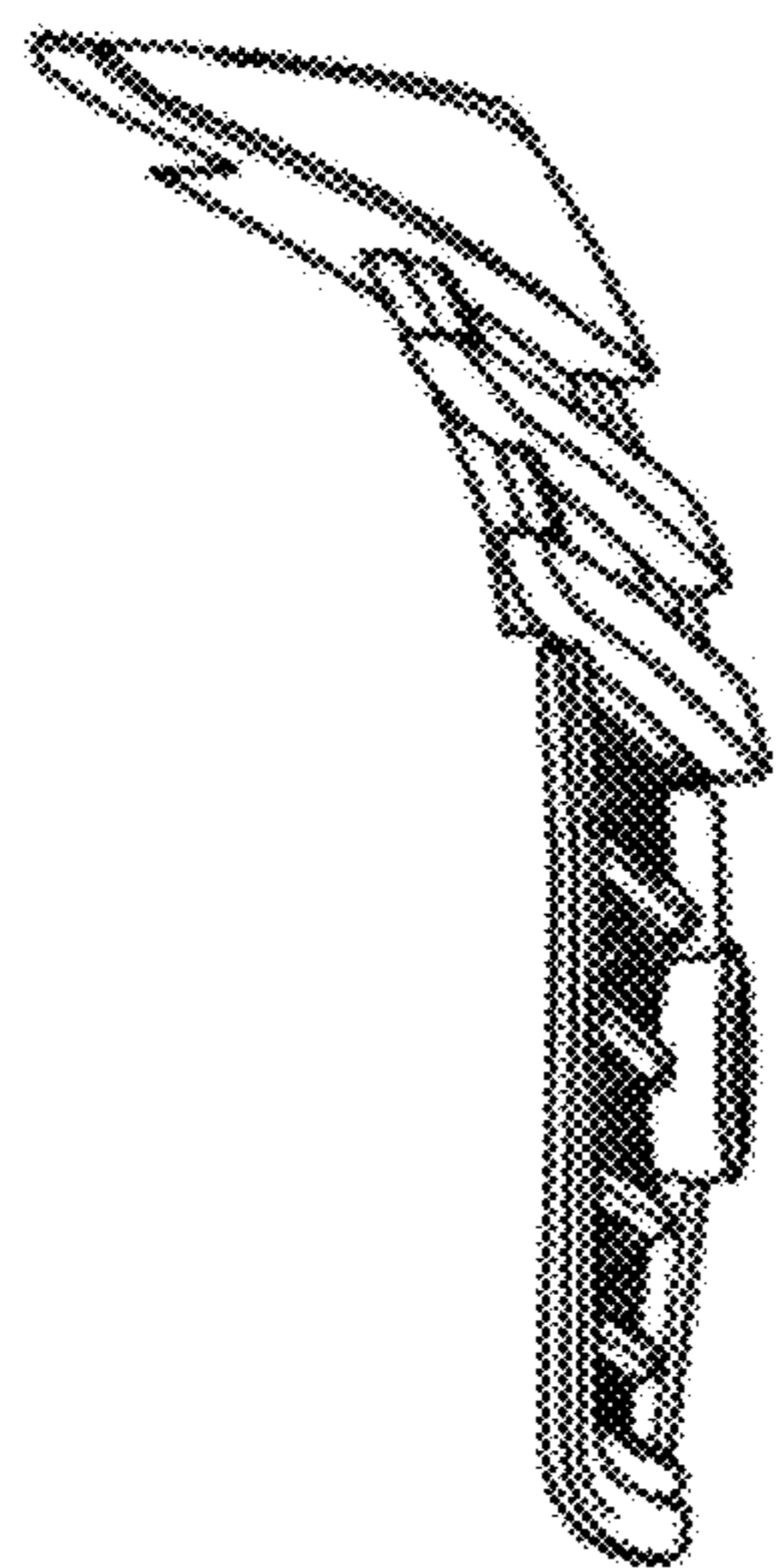


FIG. 5

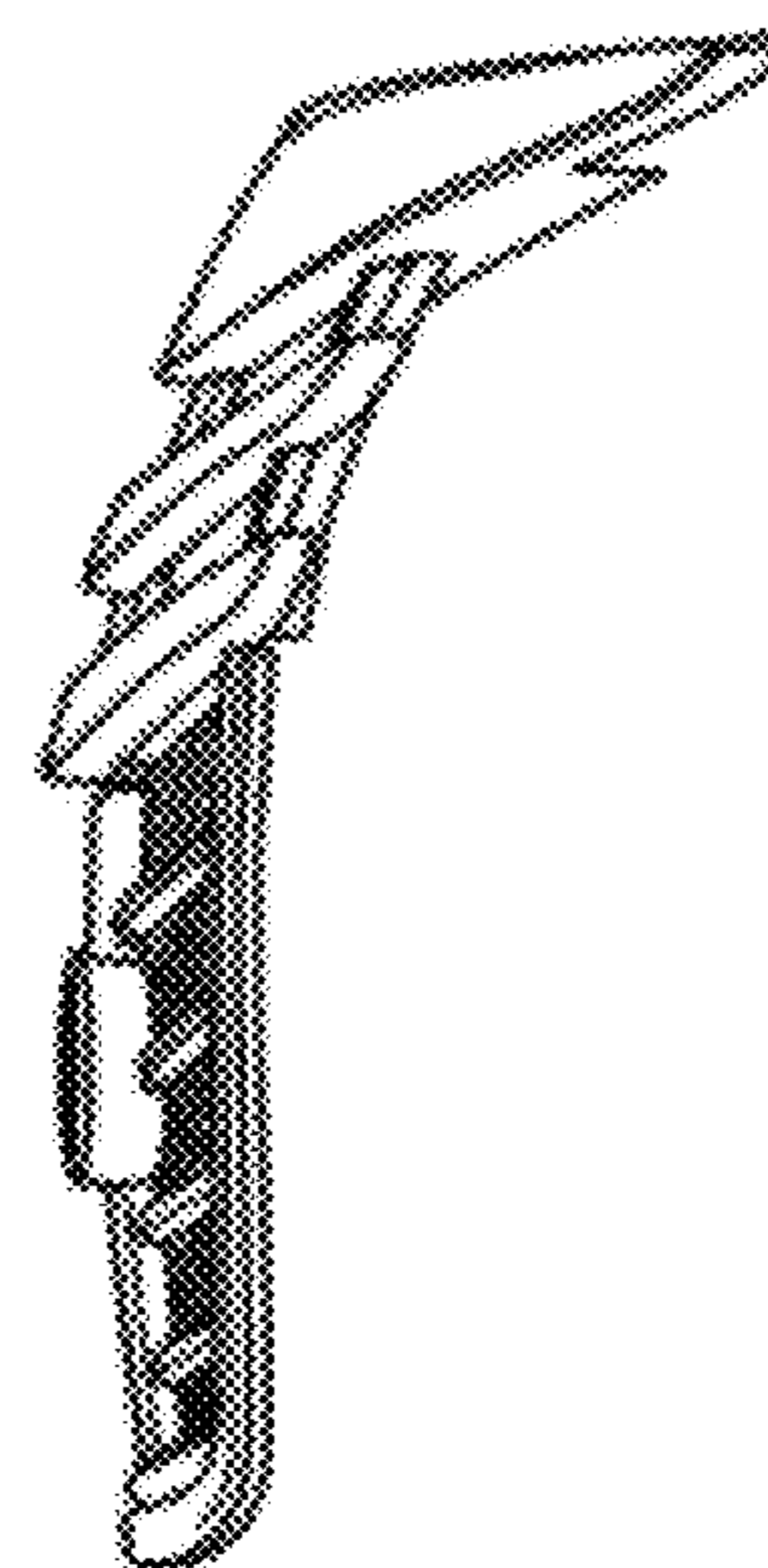


FIG. 6