



US00D673483S

(12) **United States Design Patent**
Yamada et al.

(10) **Patent No.:** **US D673,483 S**
(45) **Date of Patent:** **** Jan. 1, 2013**

(54) **BODY PORTION OF AN AUTOMOBILE**

D645,804 S 9/2011 Kubo et al.
D647,837 S 11/2011 Kubo
D664,069 S * 7/2012 Dan et al. D12/91

(75) Inventors: **Masayuki Yamada**, Aichi-ken (JP);
Takahiro Minami, Kanagawa-ken (JP);
Noriyuki Nakamura, Shizuoka-ken
(JP); **Junichi Toura**, Shizuoka-ken (JP)

(73) Assignee: **Toyota Jidosha Kabushiki Kaisha**,
Toyota-shi (JP)

(**) Term: **14 Years**

(21) Appl. No.: **29/405,120**

(22) Filed: **Oct. 28, 2011**

(51) **LOC (9) Cl.** **12-08**

(52) **U.S. Cl.** **D12/91**

(58) **Field of Classification Search** D12/86,
D12/90-92; D21/424, 433, 434; 296/181.1,
296/181.5

See application file for complete search history.

(56) **References Cited**

U.S. PATENT DOCUMENTS

D464,914 S	10/2002	Warkuss et al.	
D525,562 S	7/2006	Yagi et al.	
D525,910 S	8/2006	Sugiura et al.	
D597,889 S	* 8/2009	Fujiyoshi et al. D12/91
D616,333 S	* 5/2010	Cartabiano et al. D12/91
D624,850 S	* 10/2010	Yagi et al. D12/91
D626,034 S	* 10/2010	Nakamura et al. D12/91
D626,886 S	* 11/2010	Sakae et al. D12/91
D636,705 S	* 4/2011	Ward D12/91
D637,110 S	5/2011	Sperling et al.	

OTHER PUBLICATIONS

BMW 3-Series; <http://www.weblio.jp/>; Dec. 22, 2010.
Citroen C5 Estate, Dec. 22, 2010.

* cited by examiner

Primary Examiner — Melody N Brown

(74) *Attorney, Agent, or Firm* — Finnegan, Henderson,
Farabow, Garrett & Dunner, LLP

(57) **CLAIM**

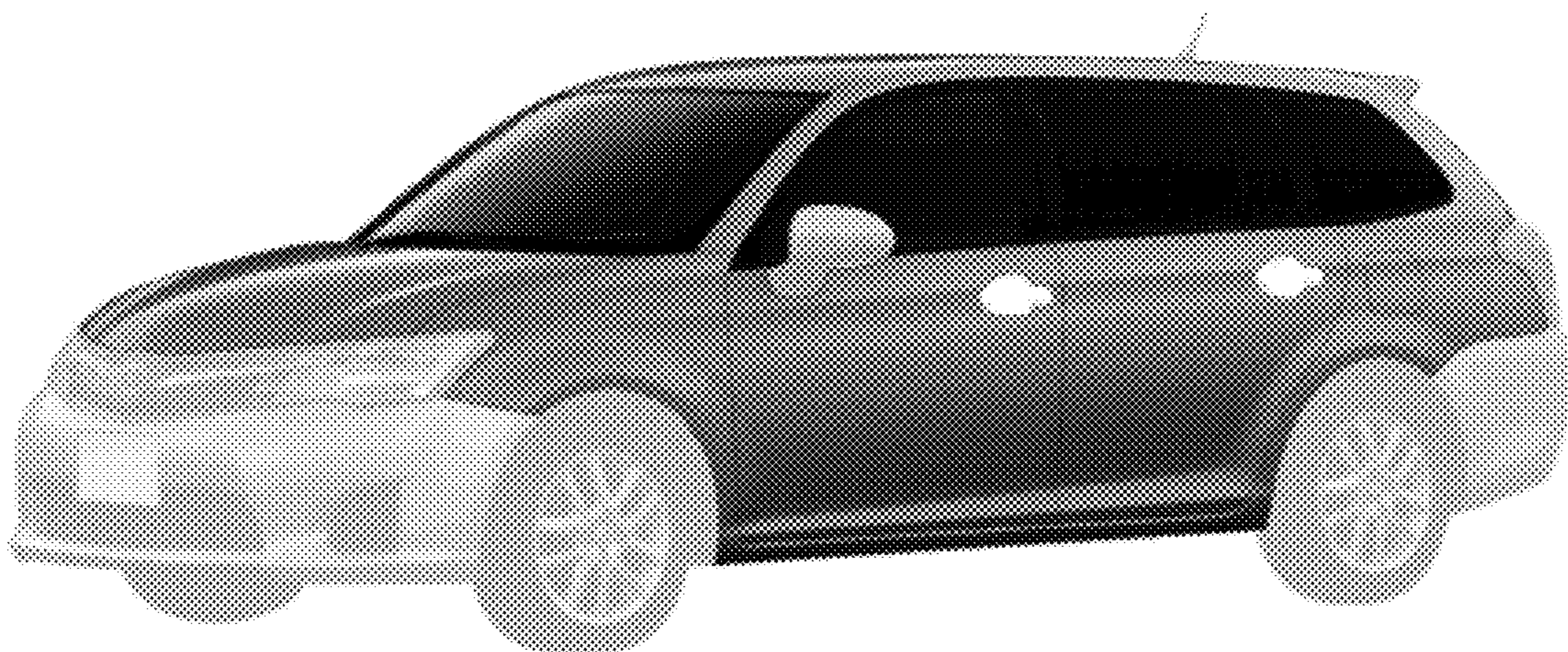
The ornamental design for a body portion of an automobile,
as shown and described.

DESCRIPTION

FIG. 1 is a front perspective view of a body portion of an
automobile showing our new design;
FIG. 2 is a rear perspective view thereof;
FIG. 3 is a front view thereof;
FIG. 4 is a rear view thereof;
FIG. 5 is a right side view thereof, the left side view being a
mirror image thereof, except for the fuel door which is not
present on the left side; and,
FIG. 6 is a top plan view thereof.

The portion depicted in light contrast is environment and
forms no part of the claimed design. The indicia forms no part
of the claimed design.

1 Claim, 5 Drawing Sheets



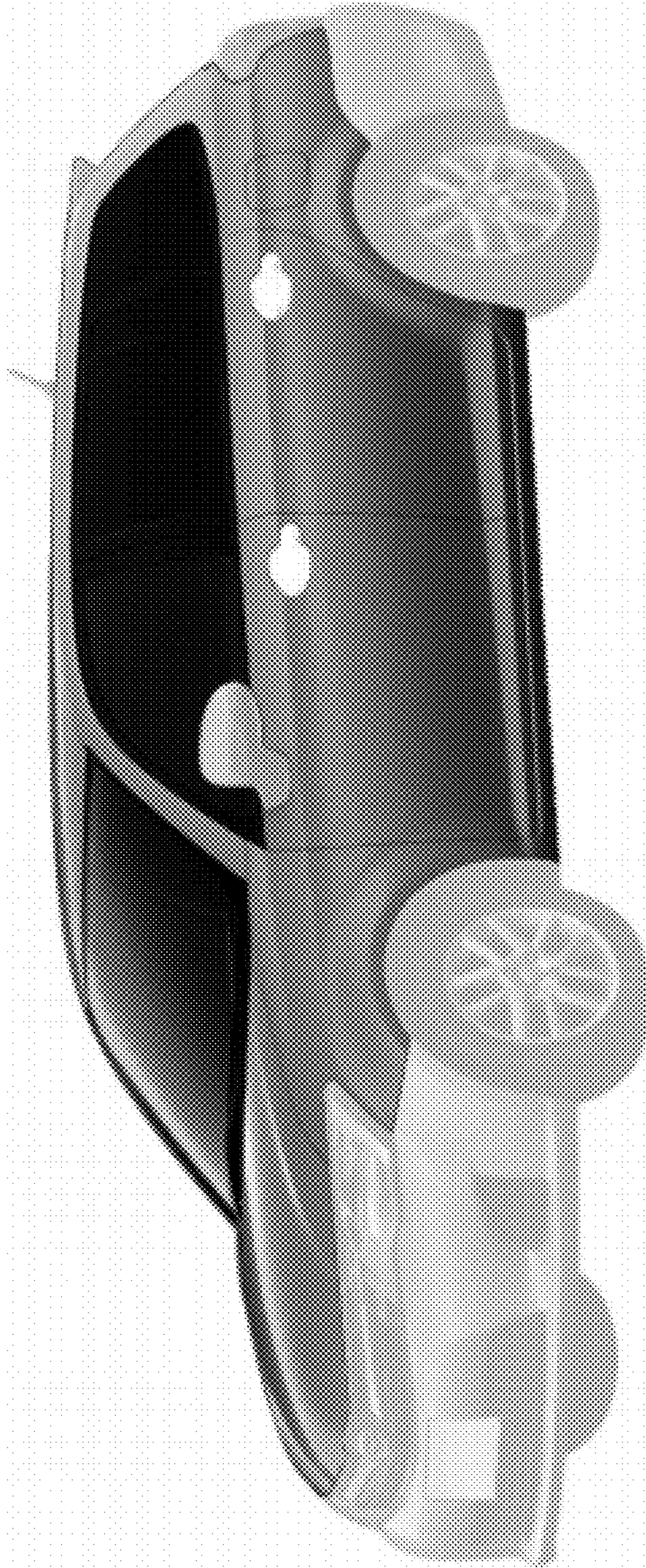


FIG. 1

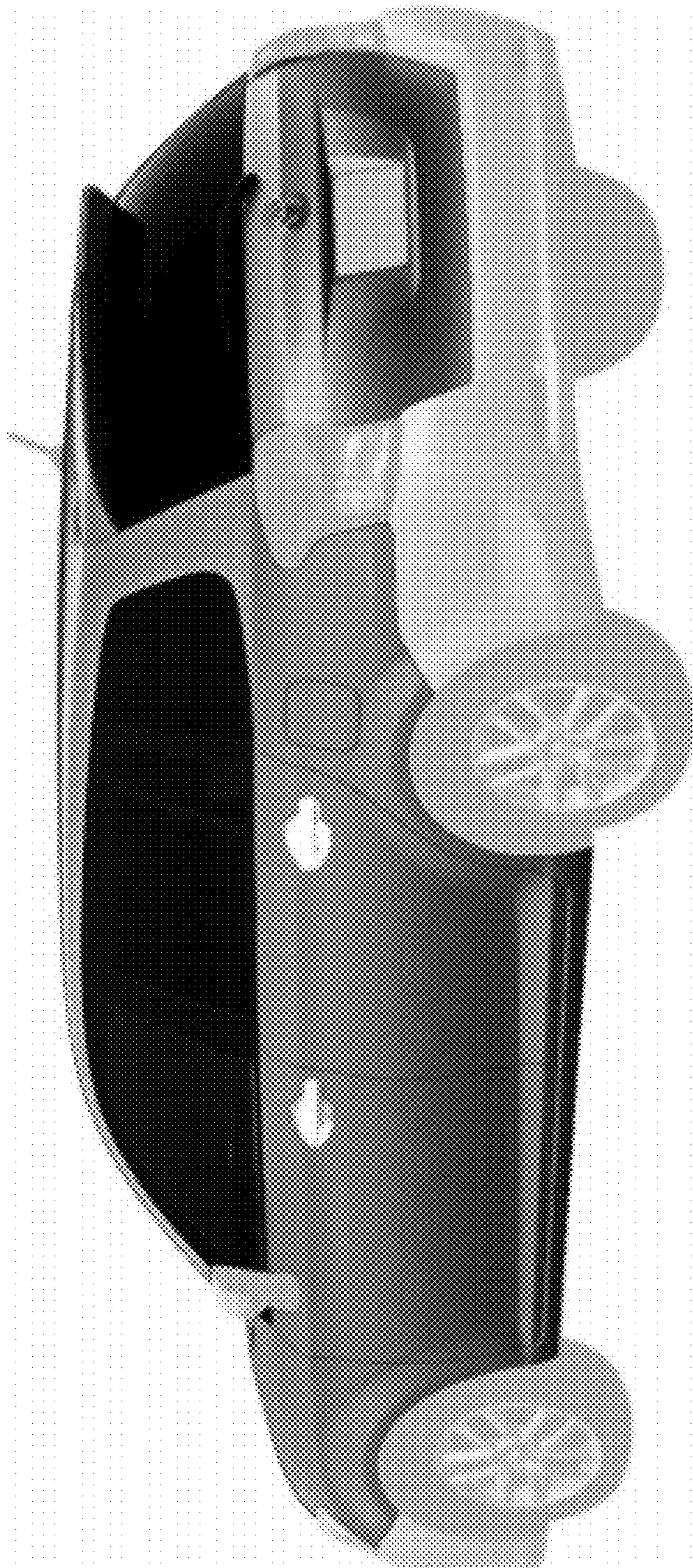


FIG. 2

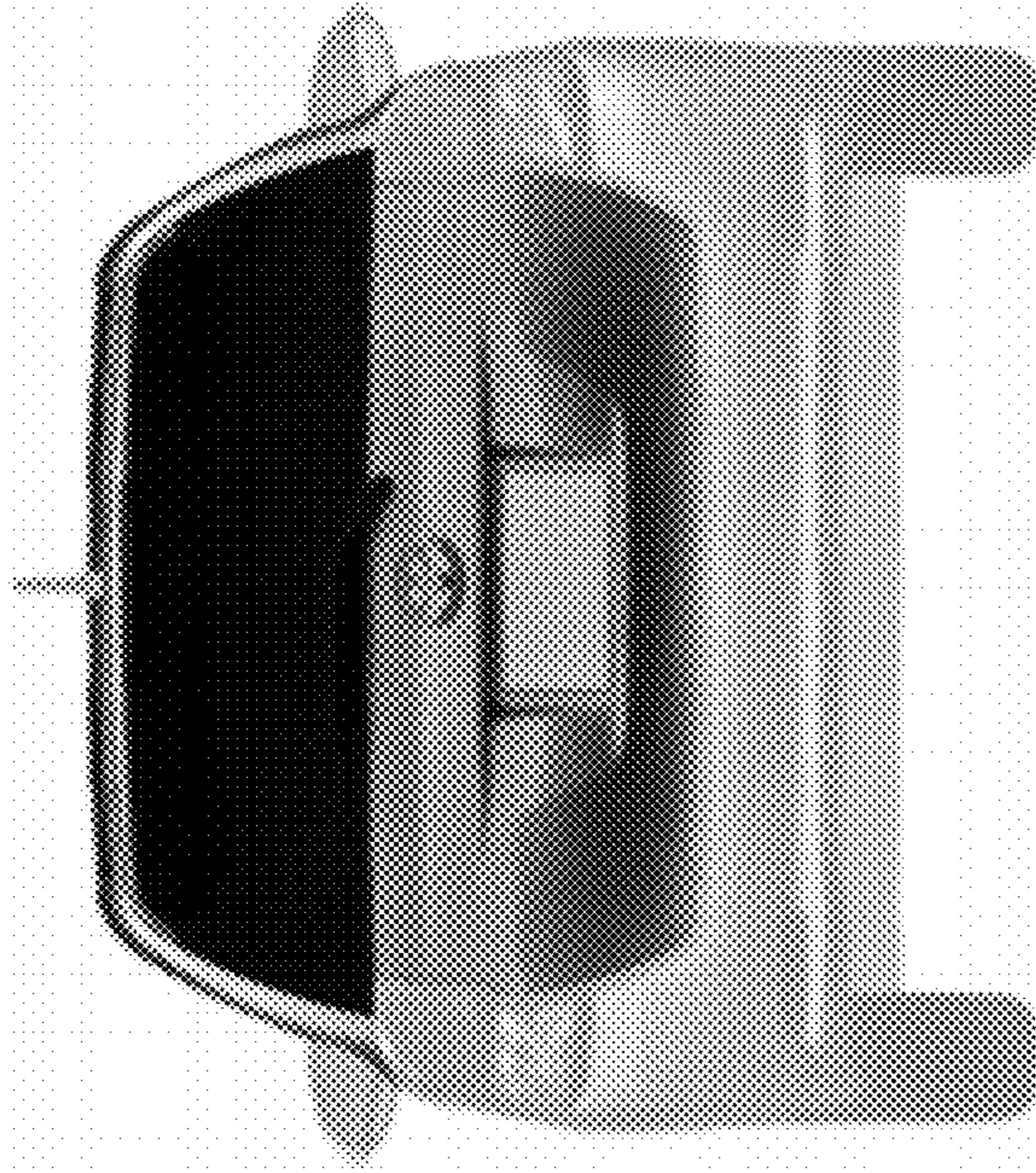


FIG. 3

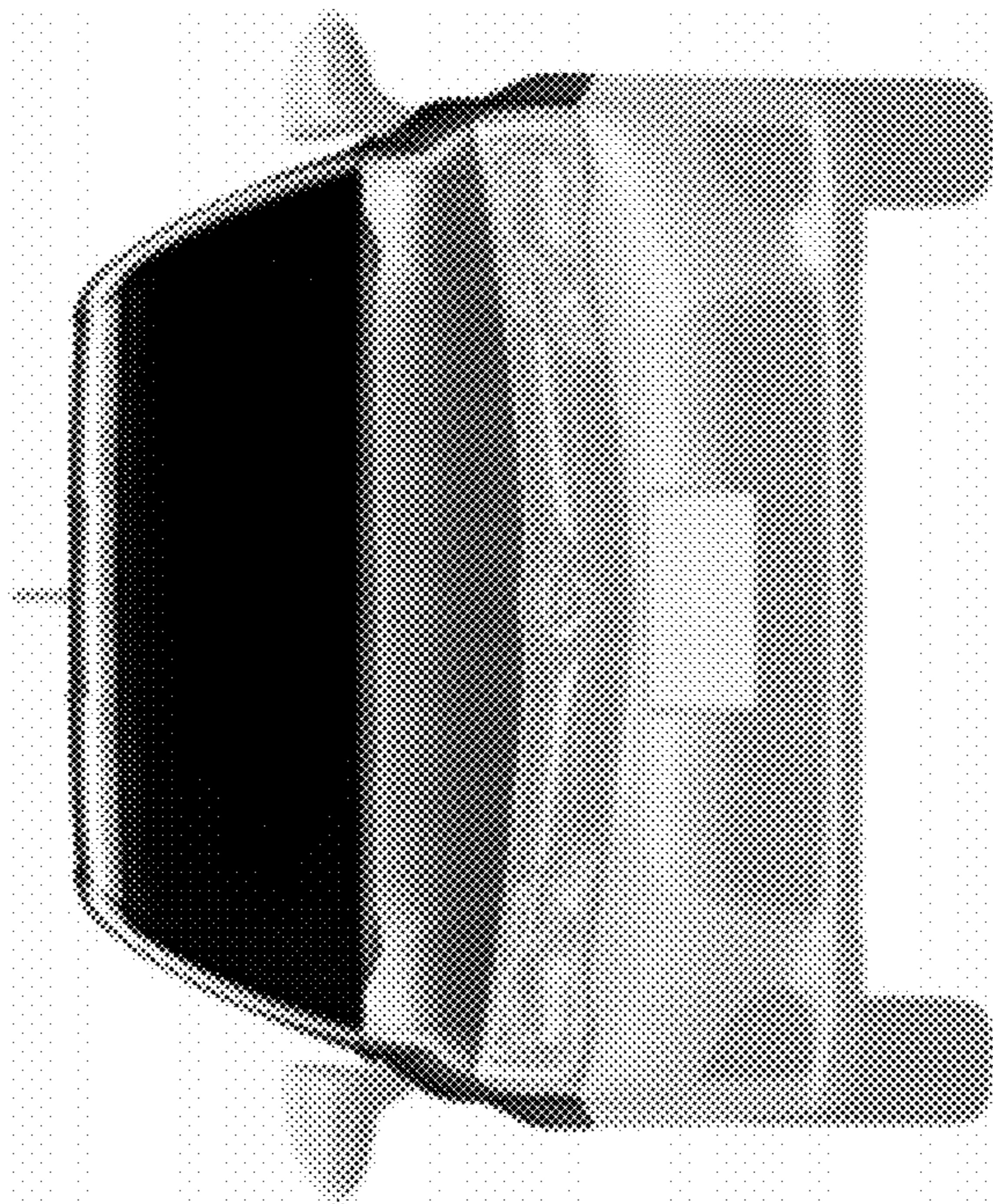


FIG. 4



FIG. 5



FIG. 6