



US00D673482S

(12) **United States Design Patent**
Rivellini et al.

(10) **Patent No.:** **US D673,482 S**
(45) **Date of Patent:** **** Jan. 1, 2013**

(54) **MARS ROVER**

(75) Inventors: **Tommaso P. Rivellini**, Porter Ranch, CA (US); **Jaime M. Waydo**, Pasadena, CA (US); **Christopher J. Voorhees**, Altadena, CA (US); **Louise Jandura**, Altadena, CA (US); **Benjamin L. Thoma**, Los Angeles, CA (US); **Robert M. Manning**, Pasadena, CA (US); **Howard J. Eisen**, Burbank, CA (US); **Adam D. Steltzner**, Altadena, CA (US); **Steven W. Lee**, Stevenson Ranch, CA (US); **Alejandro M. San Martin**, San Gabriel, CA (US); **Dara Sabahi**, Los Angeles, CA (US); **Jeffrey W. Umland**, Pasadena, CA (US)

(73) Assignee: **California Institute of Technology**, Pasadena, CA (US)

(**) Term: **14 Years**

(21) Appl. No.: **29/342,596**

(22) Filed: **Aug. 27, 2009**

(51) **LOC (9) Cl.** **12-14**

(52) **U.S. Cl.** **D12/1**

(58) **Field of Classification Search** D12/1-5, D12/16.1; D21/533, 539; 180/164, 167, 180/6.5, 6.62, 8.2, 9.32; 250/253, 515.1; 324/245, 326

See application file for complete search history.

(56) **References Cited**

U.S. PATENT DOCUMENTS

3,175,739 A	3/1965	Speicher
D202,456 S	9/1965	Webb et al.
4,296,892 A	10/1981	Barge
4,667,907 A	5/1987	Hujtsak et al.
D332,249 S	1/1993	Harper

D394,040 S	5/1998	O'Neal et al.	
D408,780 S	4/1999	Gaiter	
D413,551 S *	9/1999	Wilcox et al.	D12/1
D430,530 S	9/2000	Milde, Jr.	
D437,255 S	2/2001	Bickler et al.	
D487,715 S *	3/2004	Lindemann et al.	D12/1
D488,093 S *	4/2004	Lindemann et al.	D12/1
D493,411 S	7/2004	Fong	
D505,105 S	5/2005	Rivellini et al.	

* cited by examiner

Primary Examiner — T. Chase Nelson

Assistant Examiner — Ania Aman

(74) *Attorney, Agent, or Firm* — Christie, Parker & Hale, LLP

(57) **CLAIM**

The ornamental design for mars rover, as shown and described.

DESCRIPTION

FIG. 1 is a front perspective view of a mars rover according to our new design;

FIG. 2 is a rear perspective view of the mars rover according to our new design;

FIG. 3 is a top plan view of the mars rover according to our new design;

FIG. 4 is a bottom plan view of the mars rover according to our new design;

FIG. 5 is a left side elevational view of the mars rover according to our new design;

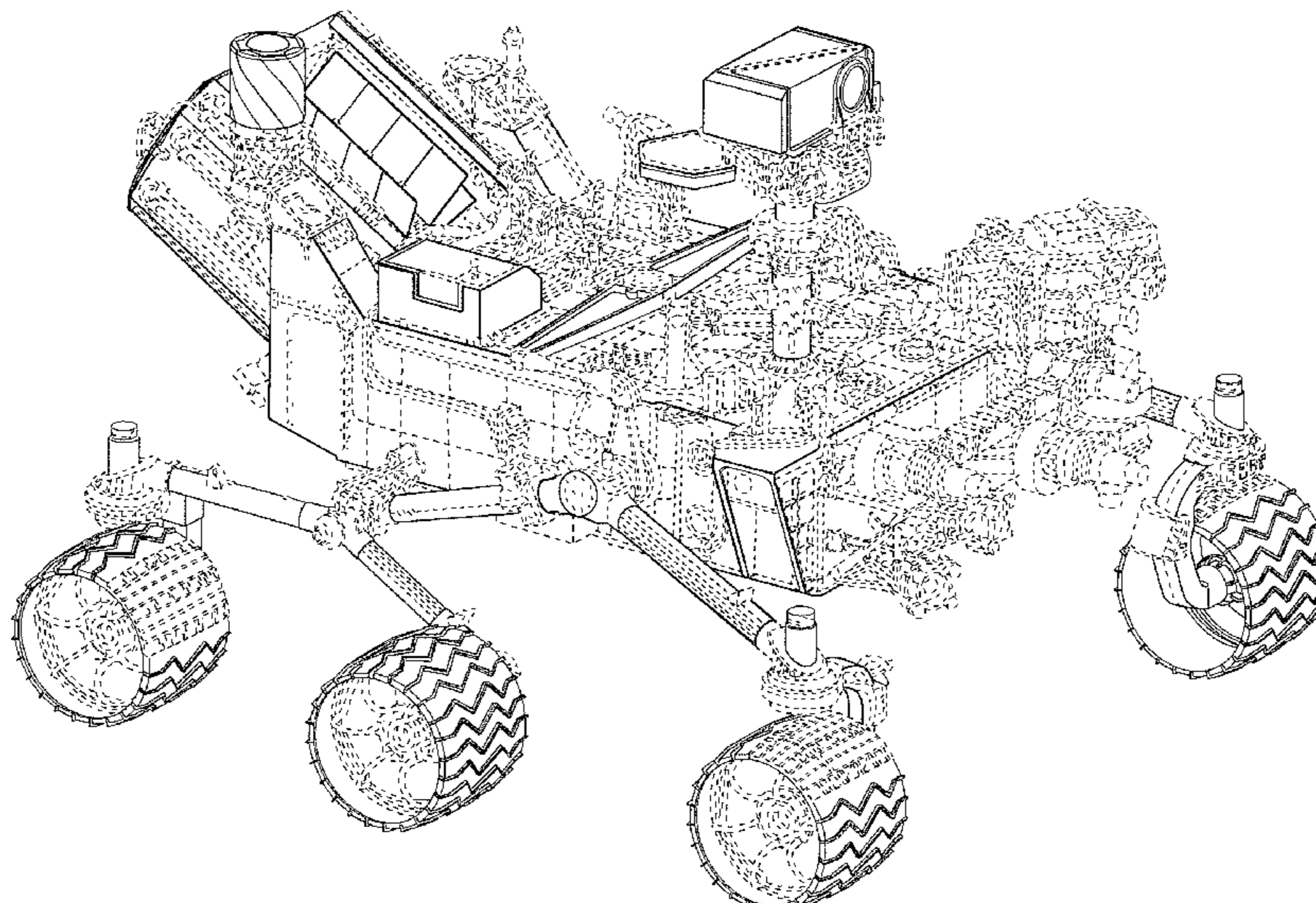
FIG. 6 a right side elevational view of the mars rover according to our new design;

FIG. 7 is a front elevational view of the mars rover according to our new design; and,

FIG. 8 is a rear elevational view of the mars rover according to our new design.

In the drawings, the broken lines depict unclaimed subject matter only and form no part of the claimed design.

1 Claim, 8 Drawing Sheets



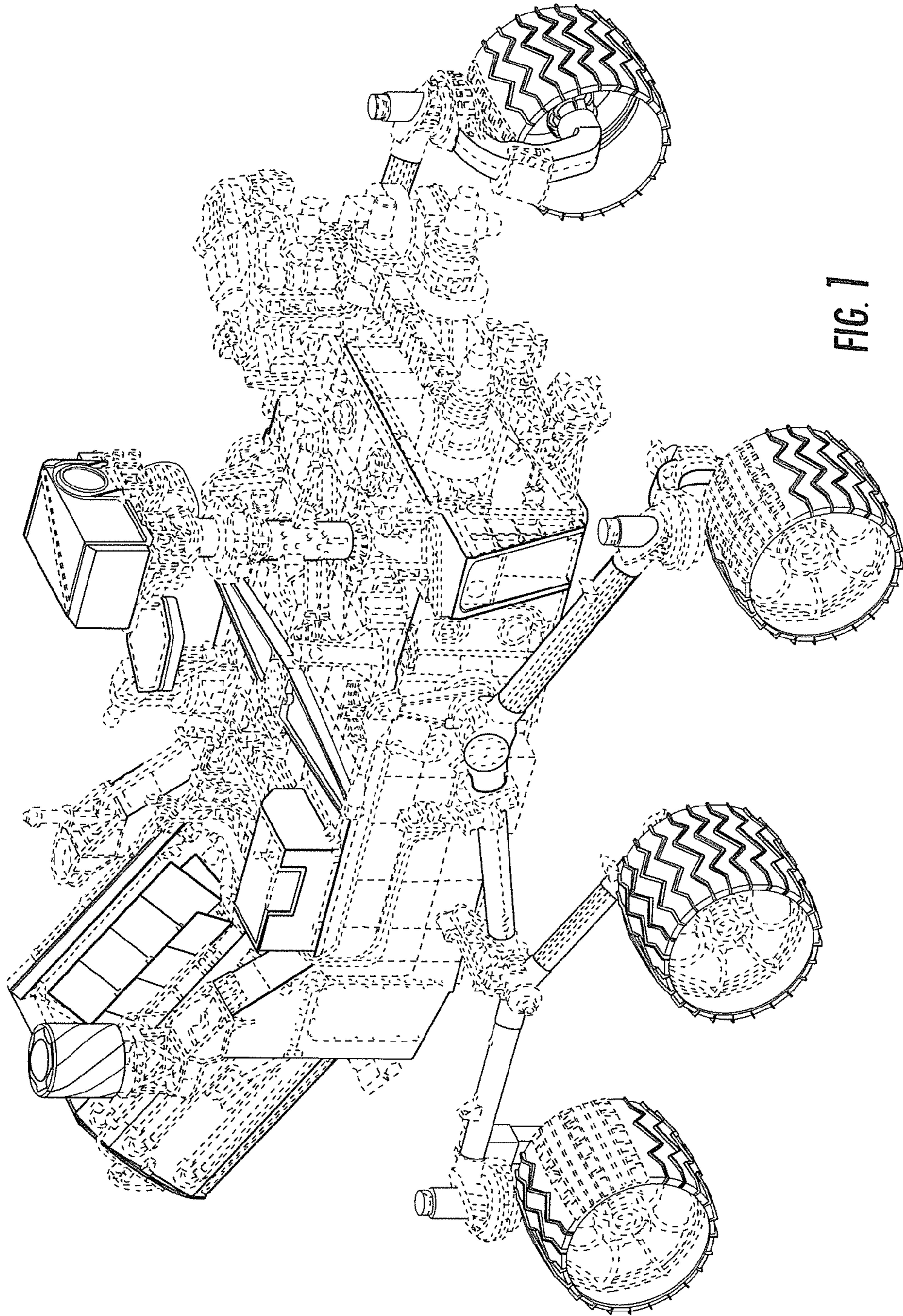


FIG. 1

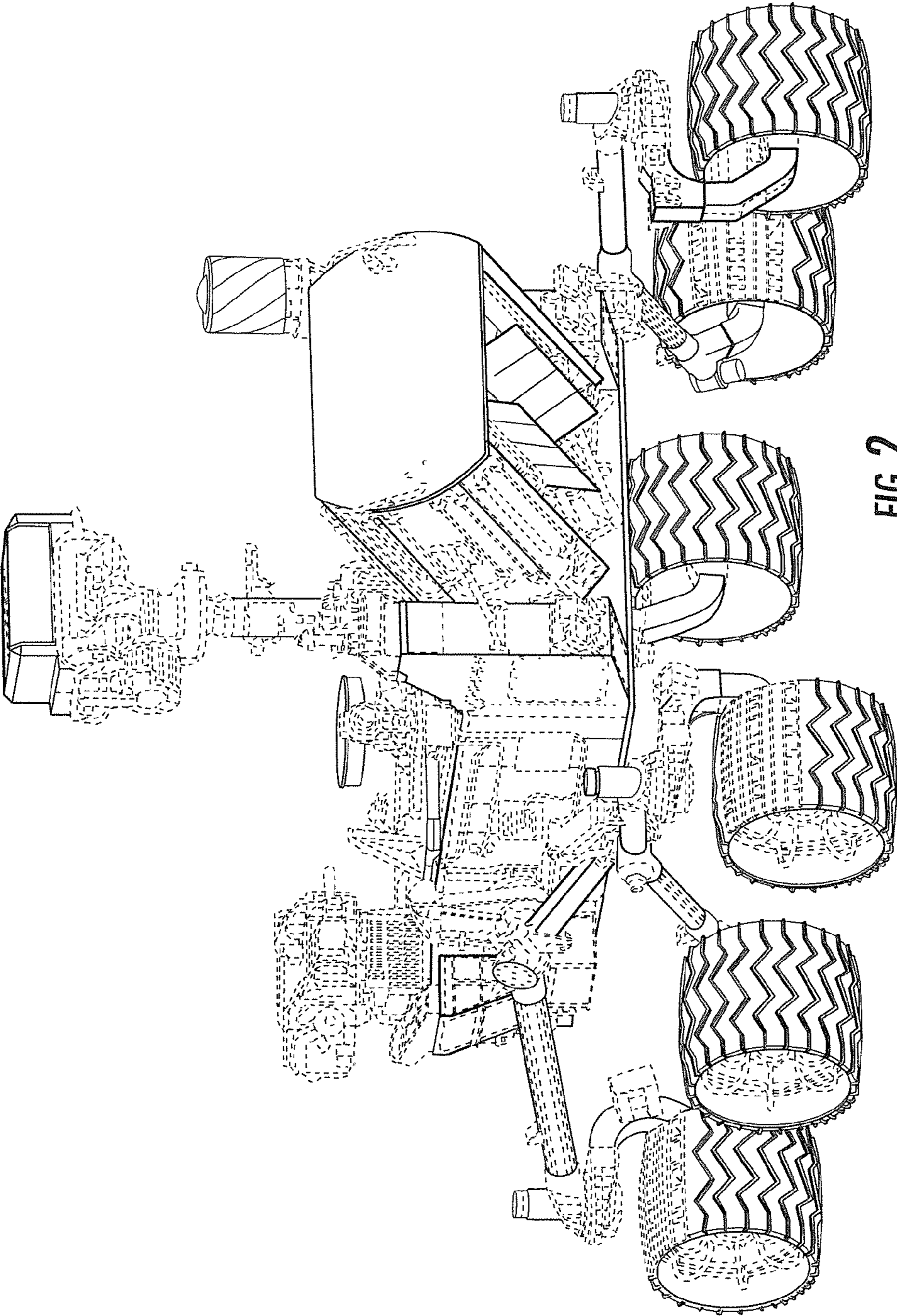


FIG. 2

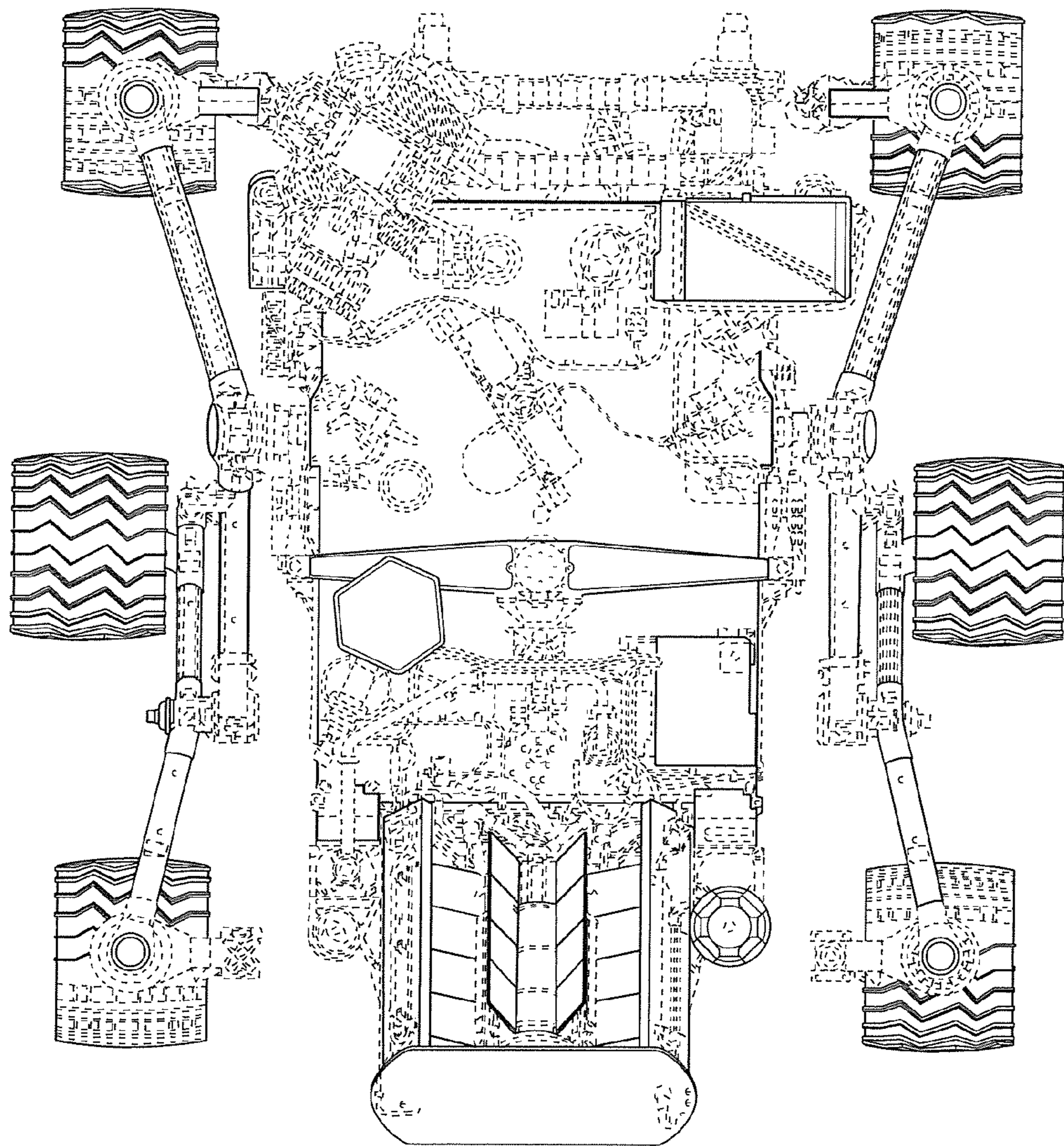


FIG. 3

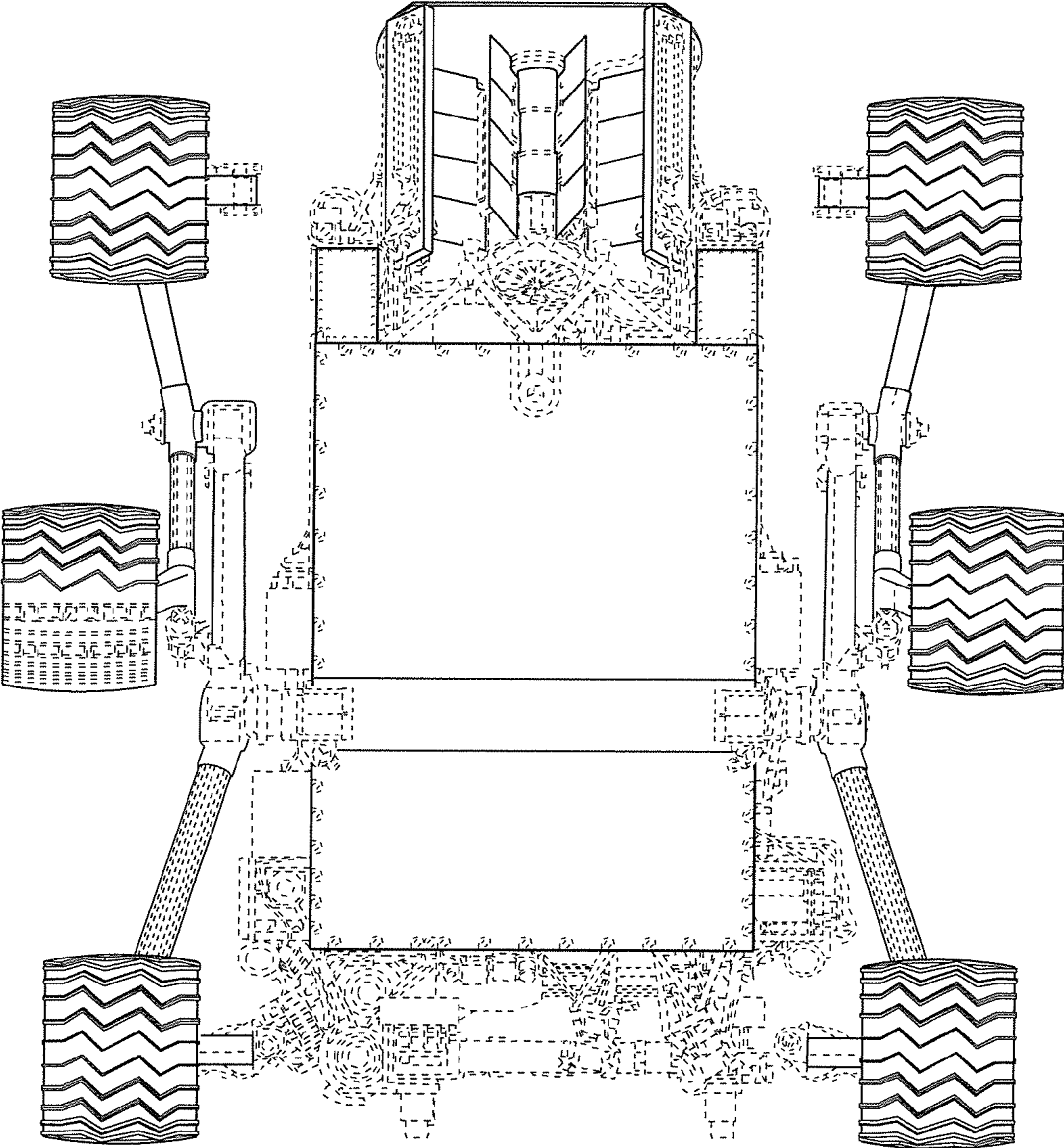


FIG. 4

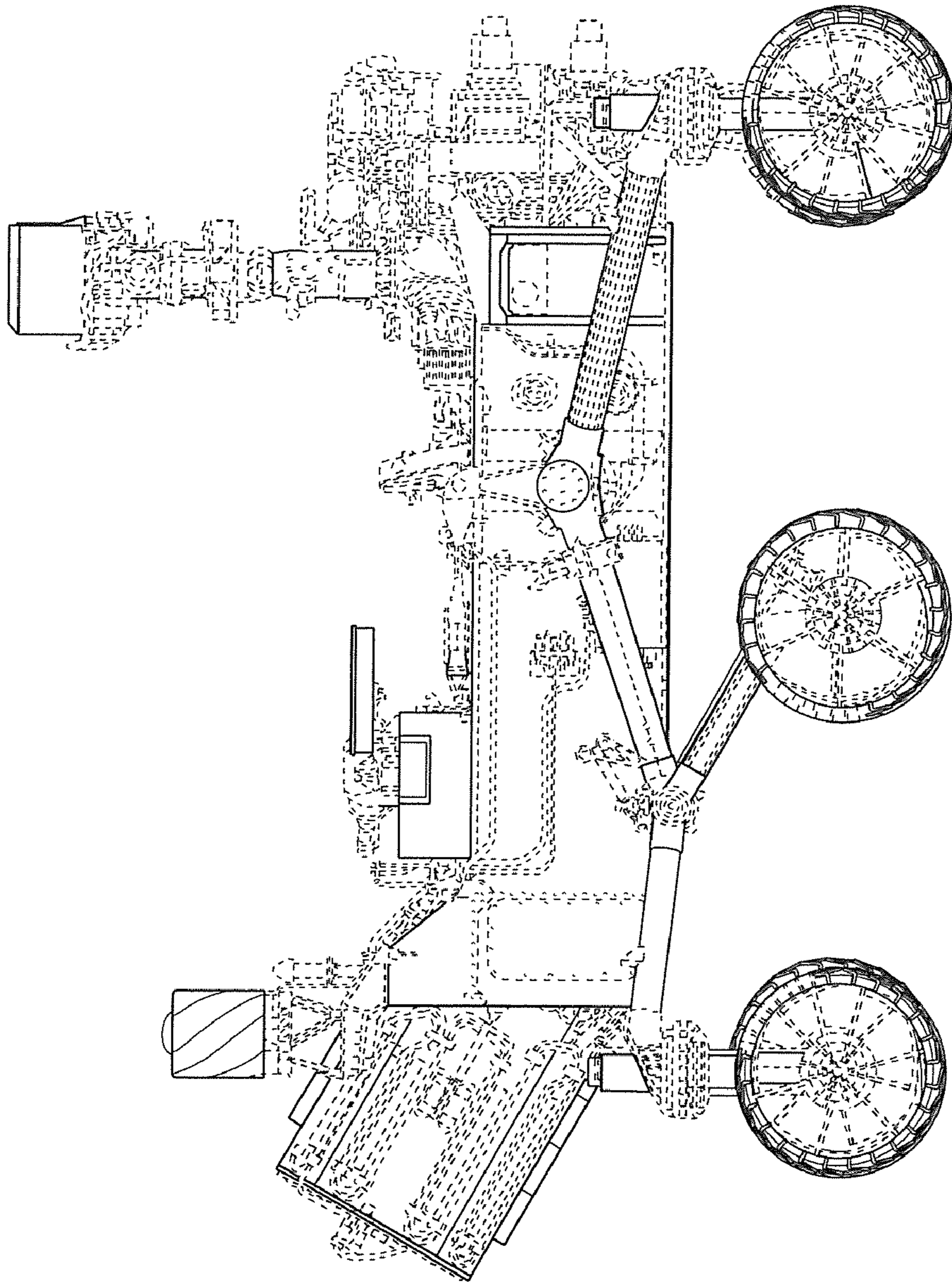


FIG. 5

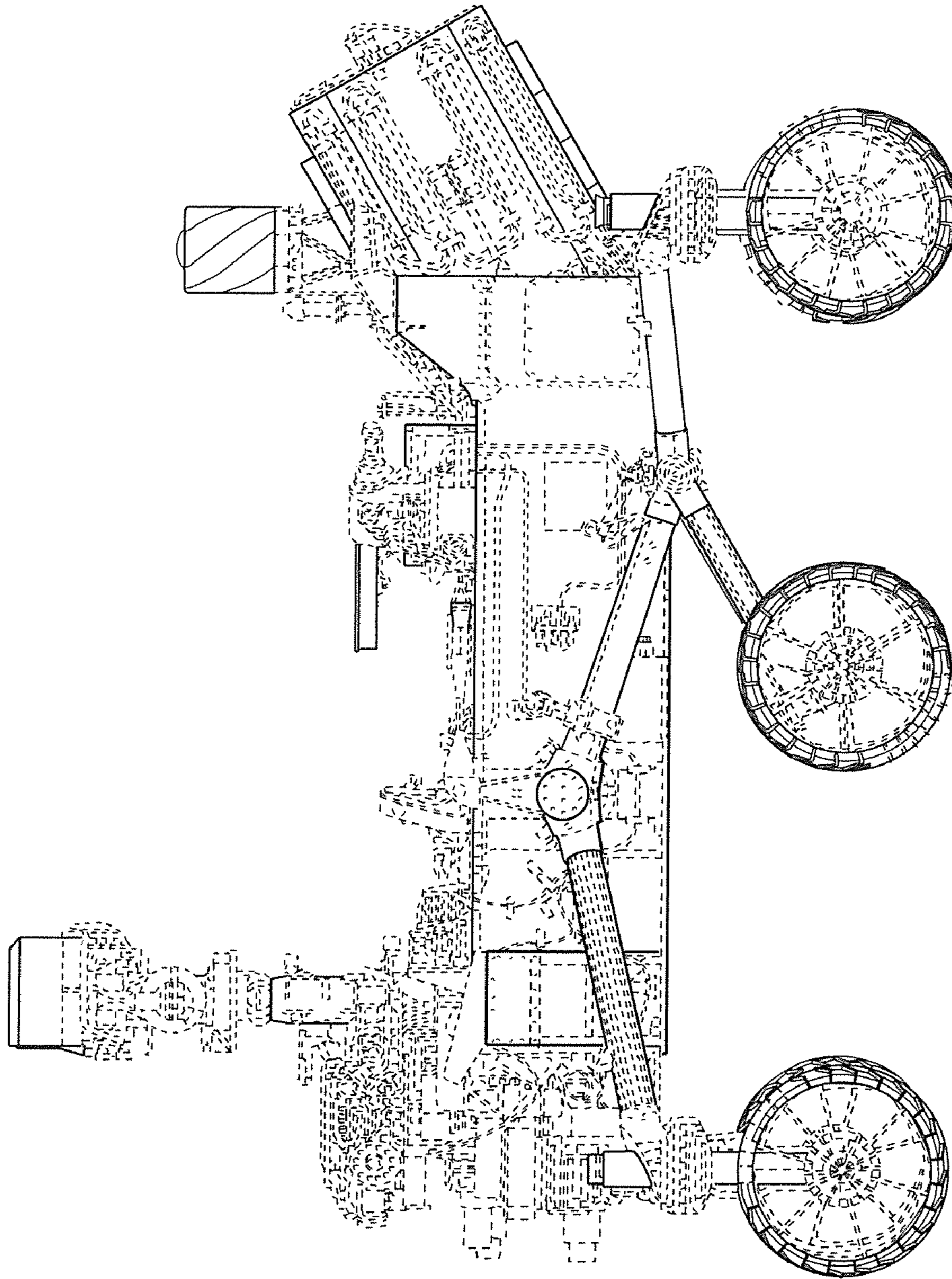


FIG. 6

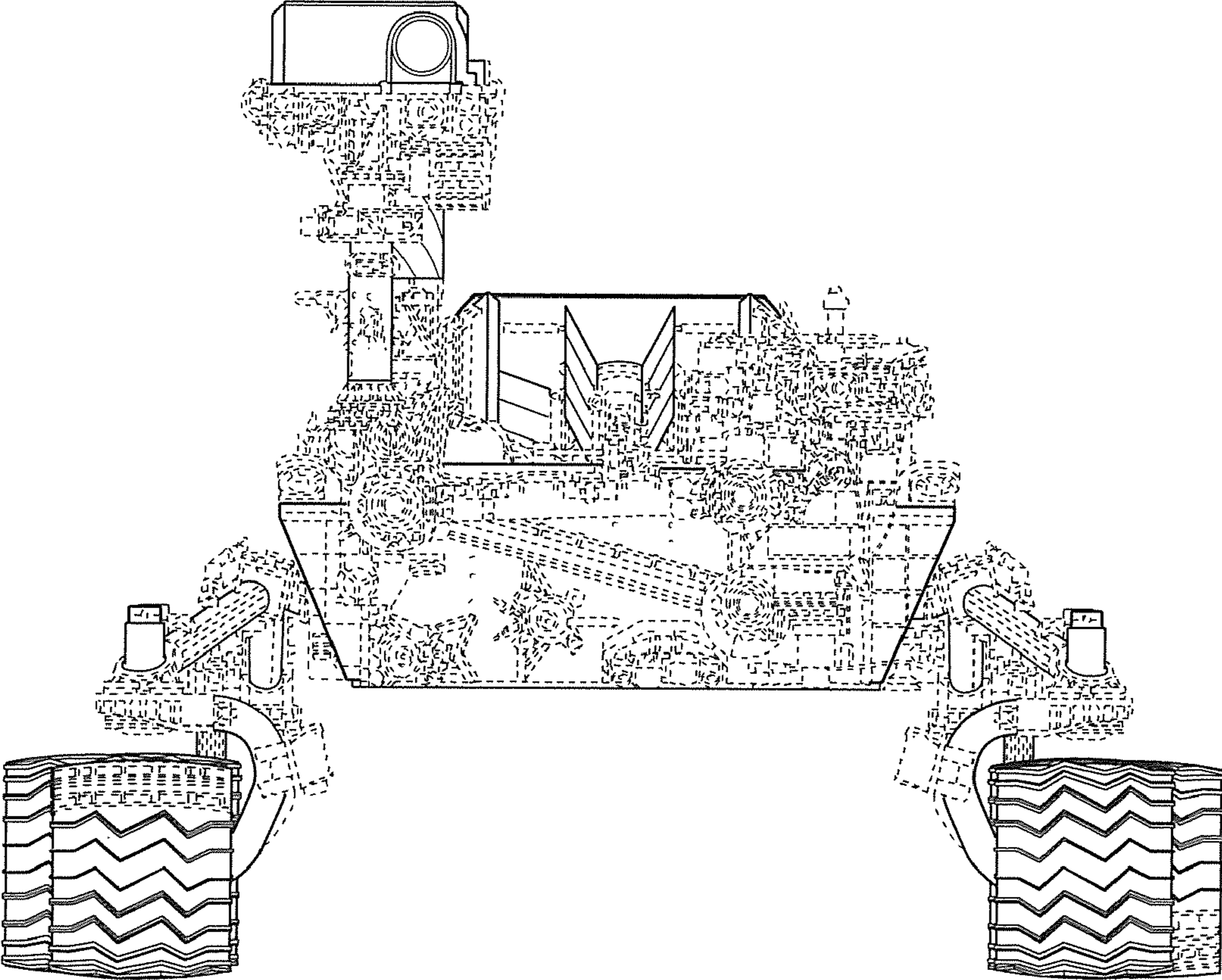


FIG. 7

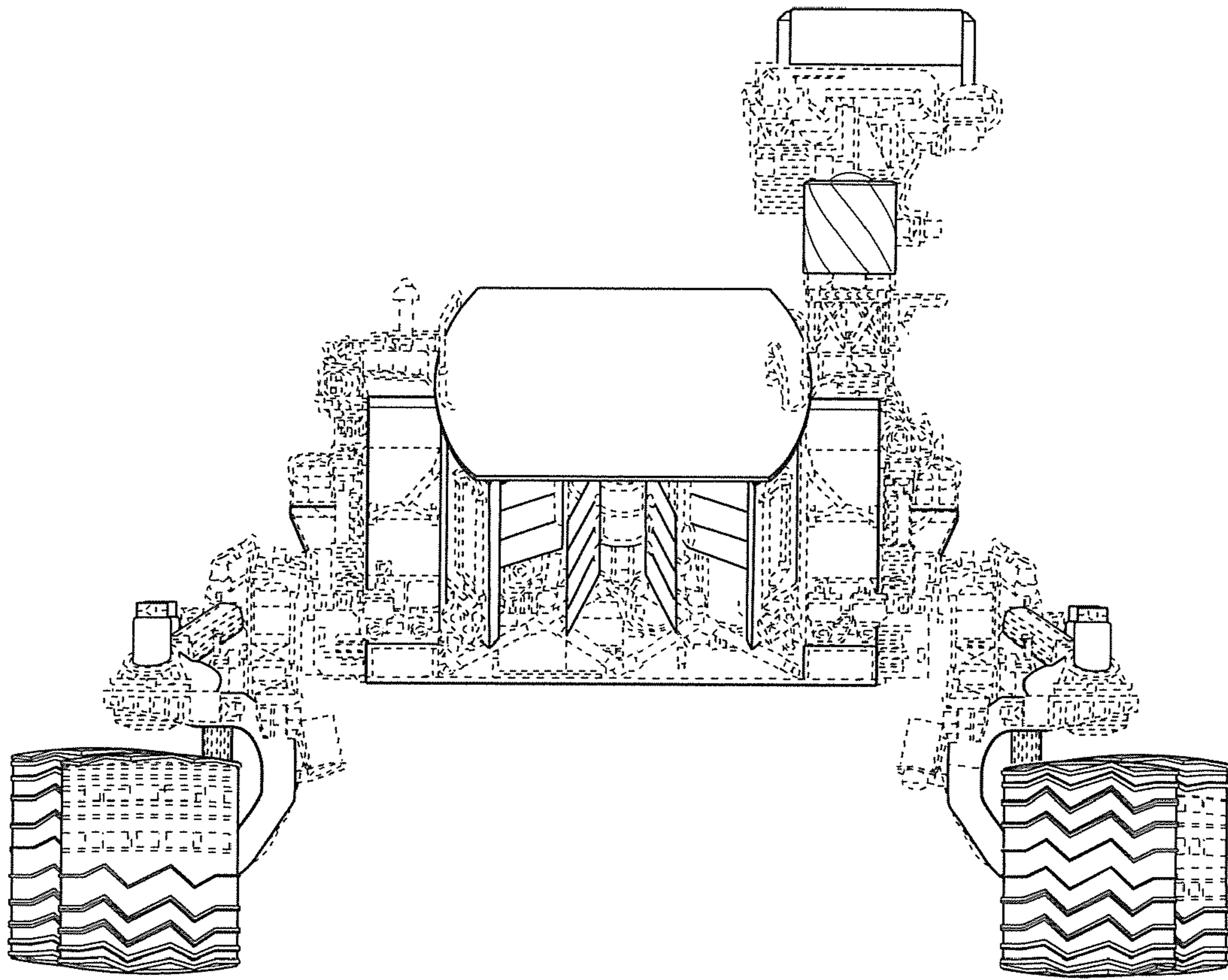


FIG. 8