



US00D673480S

(12) **United States Design Patent**  
**Keyaki et al.**

(10) **Patent No.:** **US D673,480 S**  
(45) **Date of Patent:** **\*\* Jan. 1, 2013**

(54) **SLIDE FOR SLIDE FASTENER**

D528,040 S \* 9/2006 Cheng ..... D11/221  
D588,091 S \* 3/2009 Nguyen et al. .... D14/138 AB  
D655,645 S \* 3/2012 Gut ..... D11/221

(75) Inventors: **Keiichi Keyaki**, Toyama-ken (JP);  
**Takanori Ozawa**, Toyama-ken (JP);  
**Yuichi Iwase**, Tapei (TW)

**FOREIGN PATENT DOCUMENTS**

DE 671275 C 1/1939  
FR 1129458 A 1/1957

(73) Assignee: **YKK Corporation** (JP)

\* cited by examiner

(\*\*) Term: **14 Years**

*Primary Examiner* — Ralf Seifert

(21) Appl. No.: **29/416,760**

(74) *Attorney, Agent, or Firm* — Kilpatrick Townsend & Stockton LLP

(22) Filed: **Mar. 27, 2012**

(30) **Foreign Application Priority Data**

(57) **CLAIM**

The ornamental design for a slide for slide fastener, as shown and described.

Oct. 7, 2011 (JP) ..... 2011-023040

(51) **LOC (9) Cl.** ..... **02-07**

(52) **U.S. Cl.** ..... **D11/221**

(58) **Field of Classification Search** ..... D11/200,  
D11/201, 221; 24/381–383, 385–387, 414–417,  
24/421–422, 427–431, 433, 403, 410; 2/265  
See application file for complete search history.

**DESCRIPTION**

FIG. 1 is a perspective view of the top, front and right side of a slide for a slide fastener showing my (our) new design; FIG. 2 is a front view thereof; FIG. 3 is a rear view thereof; FIG. 4 is a right side view thereof; FIG. 5 is a left side view thereof; FIG. 6 is a top plan view thereof; FIG. 7 is a bottom view thereof; FIG. 8 is a cross-sectional view at line 8-8 shown in FIG. 7; FIG. 9 is a reference view of usage; and, FIG. 10 is a reference view of usage. The portions of the article in broken lines are shown for illustrative purposes only and form no part of the claimed design.

(56) **References Cited**

**U.S. PATENT DOCUMENTS**

2,077,350 A 4/1937 Sundback  
2,415,643 A 2/1947 Legat  
3,462,805 A 8/1969 Quisling  
3,600,766 A 8/1971 Alberts  
4,905,694 A 3/1990 Will  
6,594,873 B2 7/2003 Argento  
6,604,262 B2 8/2003 Wang  
D511,480 S \* 11/2005 Buchman ..... D11/221  
D517,948 S \* 3/2006 Schreiter ..... D11/221

**1 Claim, 10 Drawing Sheets**

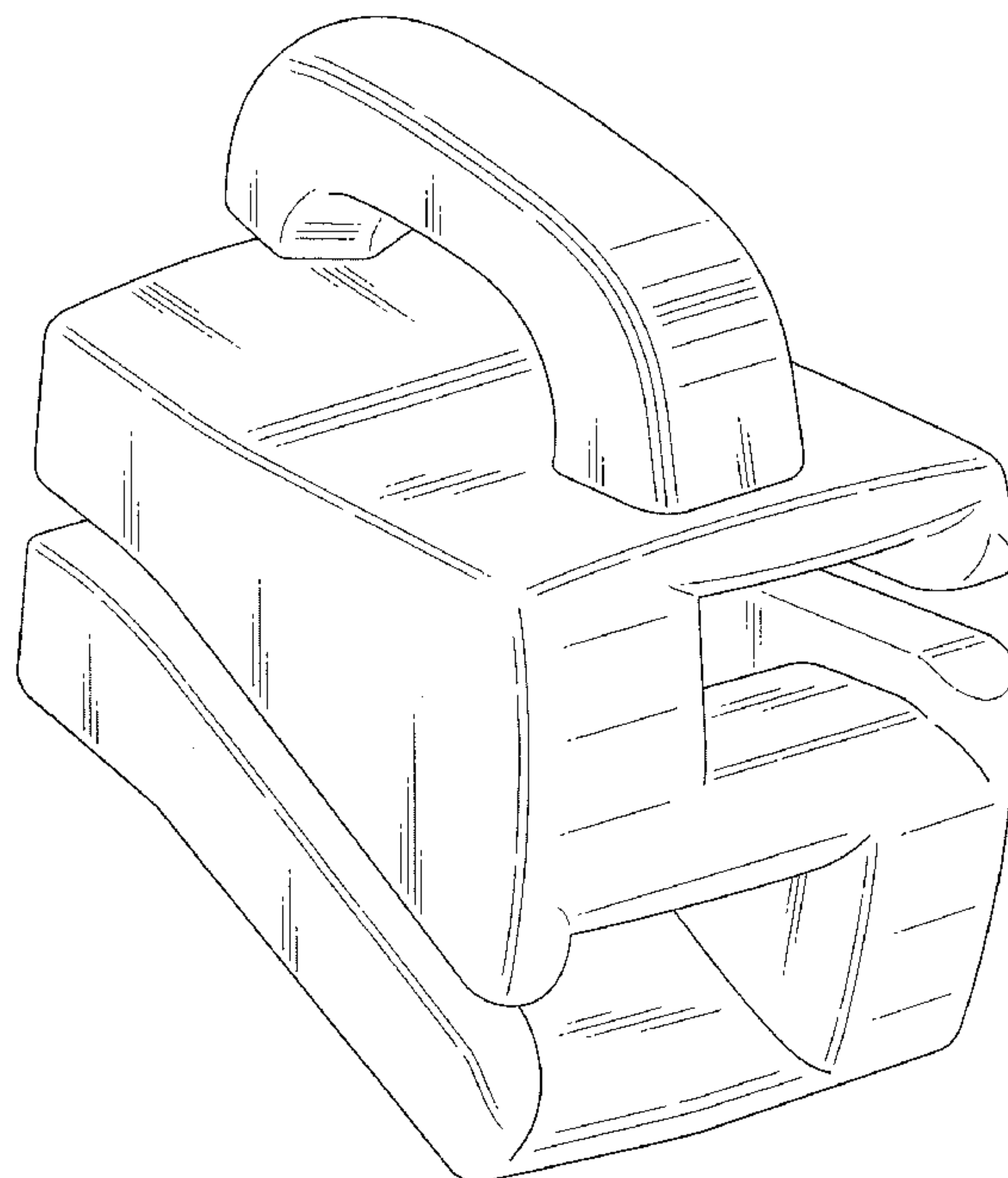


Fig. 1

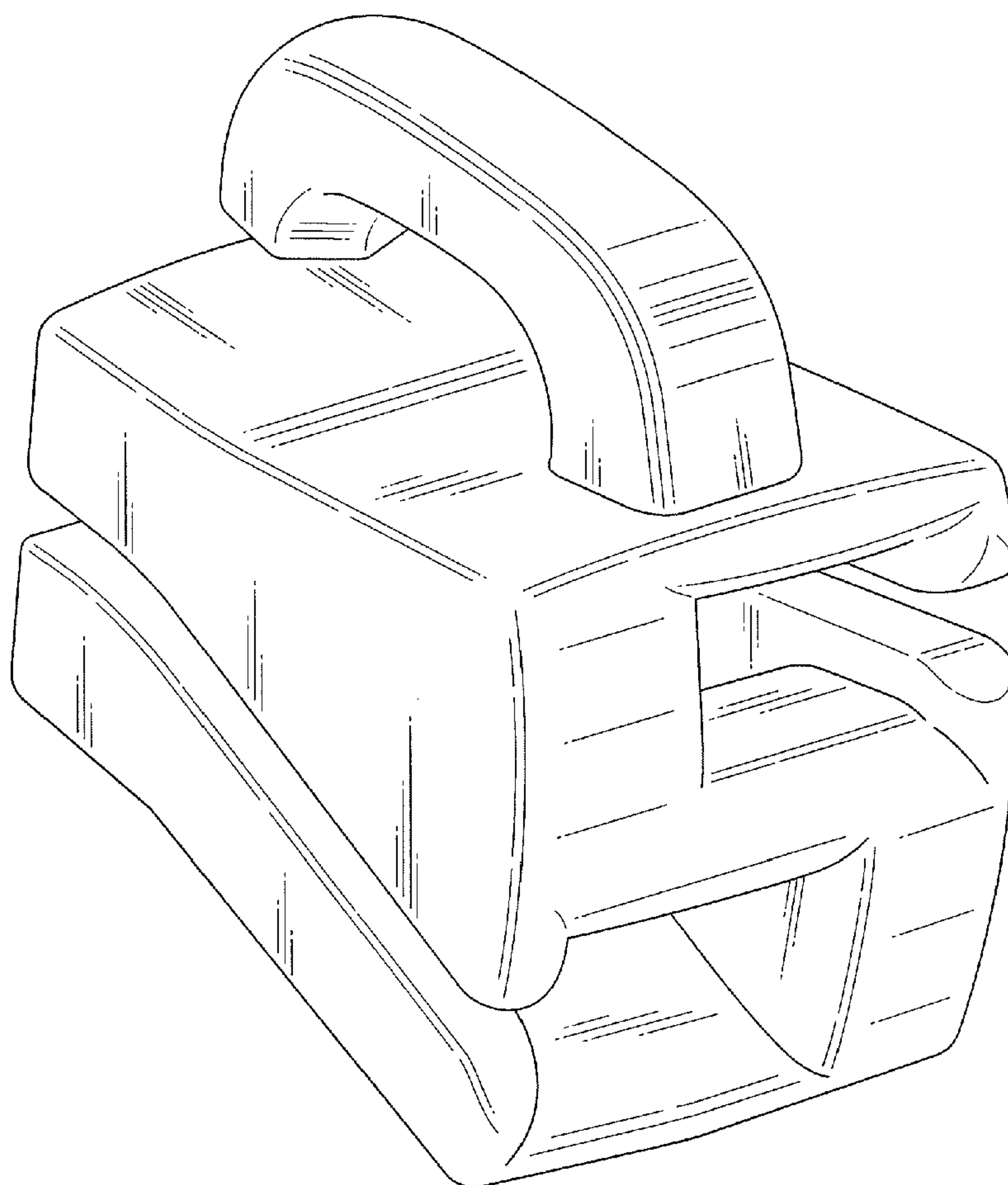


Fig. 2

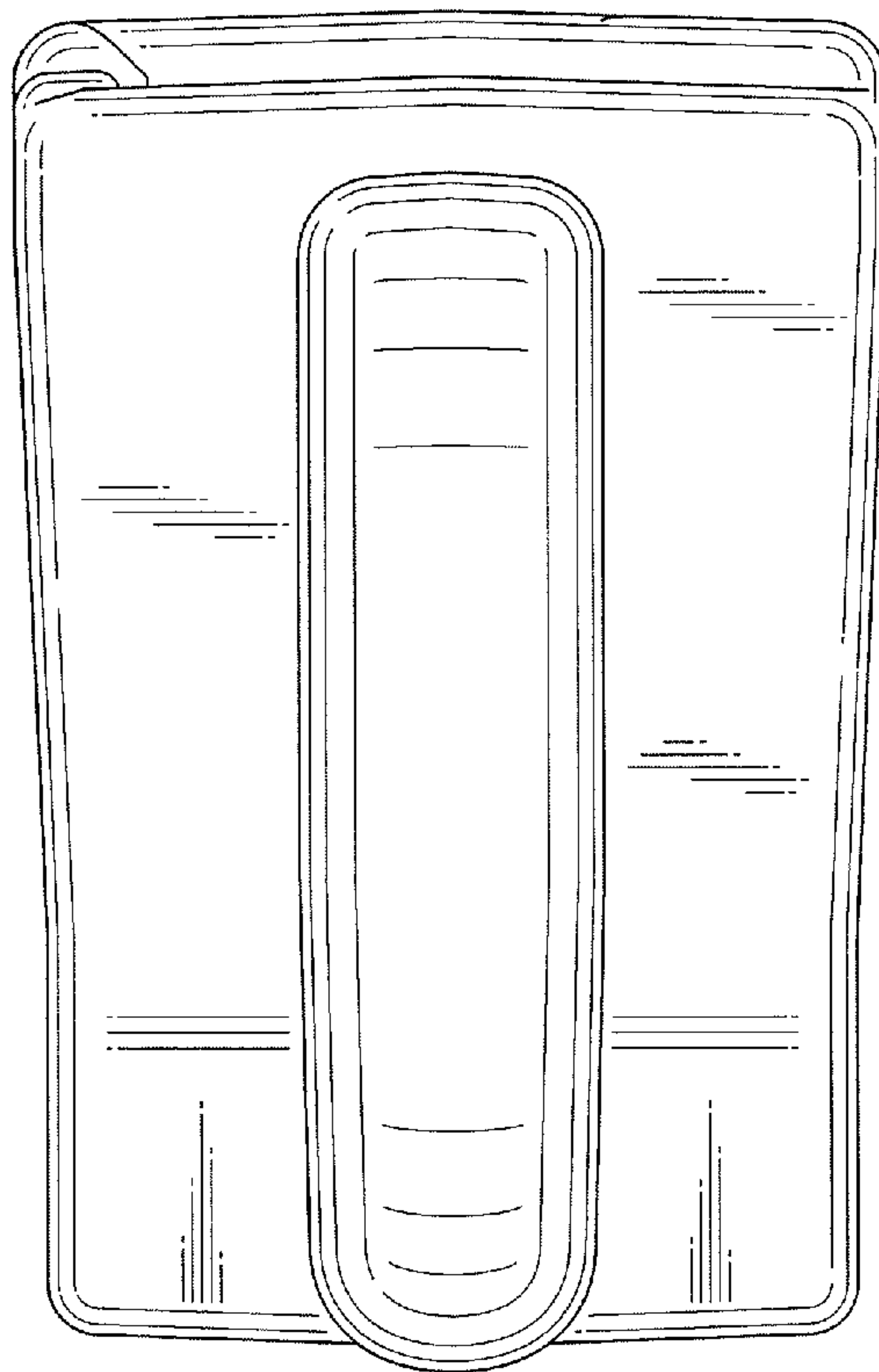


Fig. 3

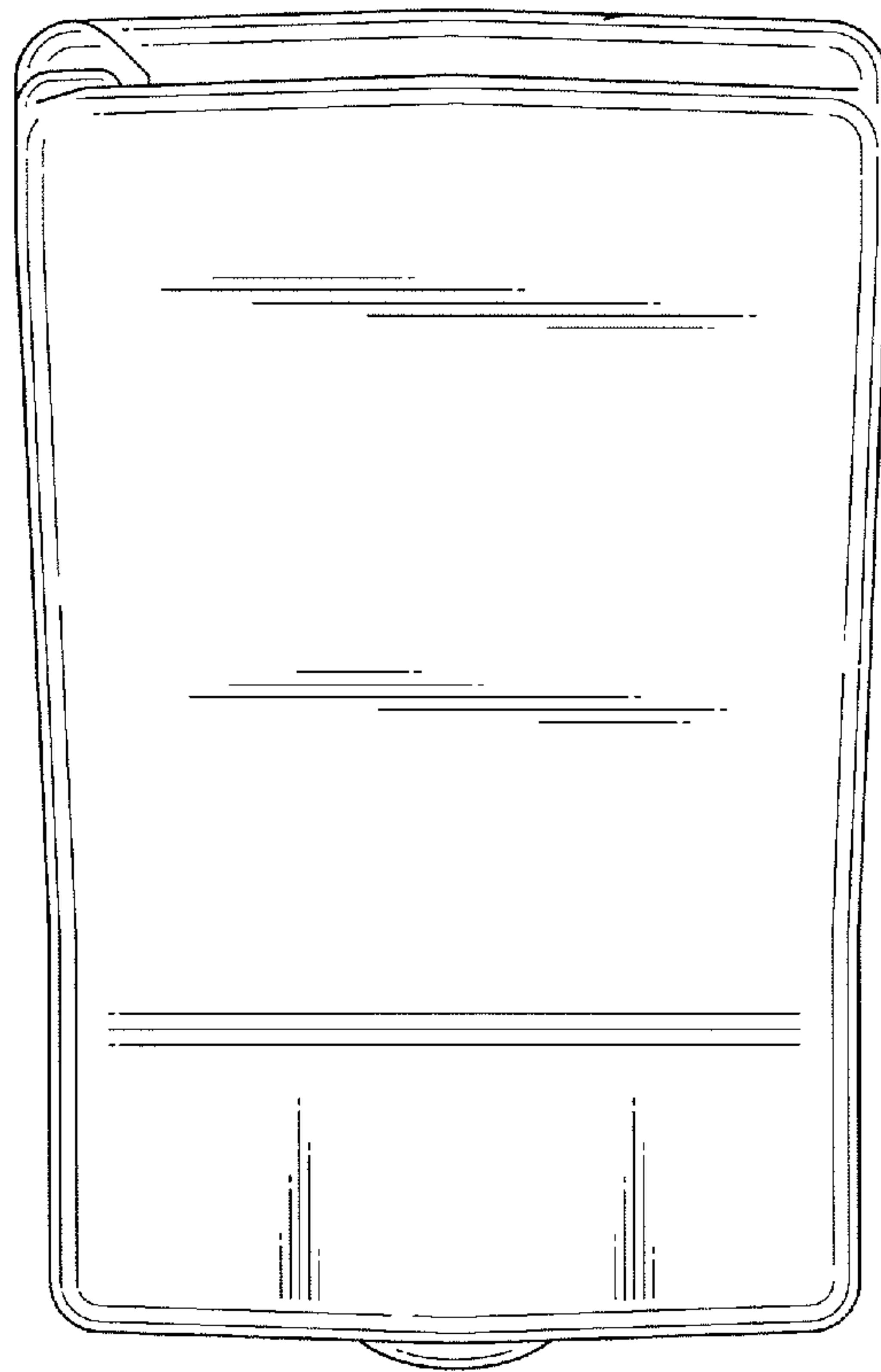


Fig. 4

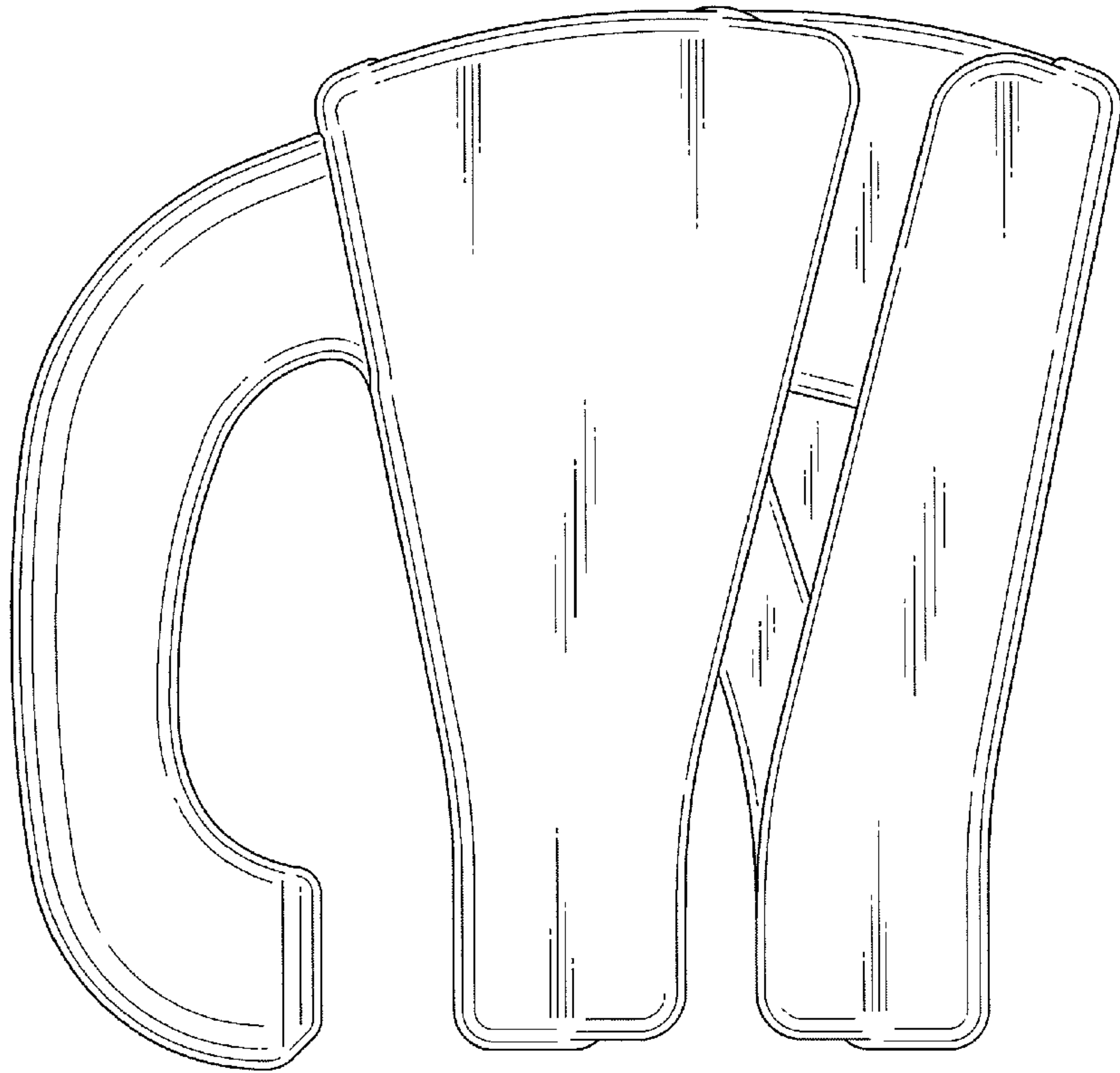


Fig. 5

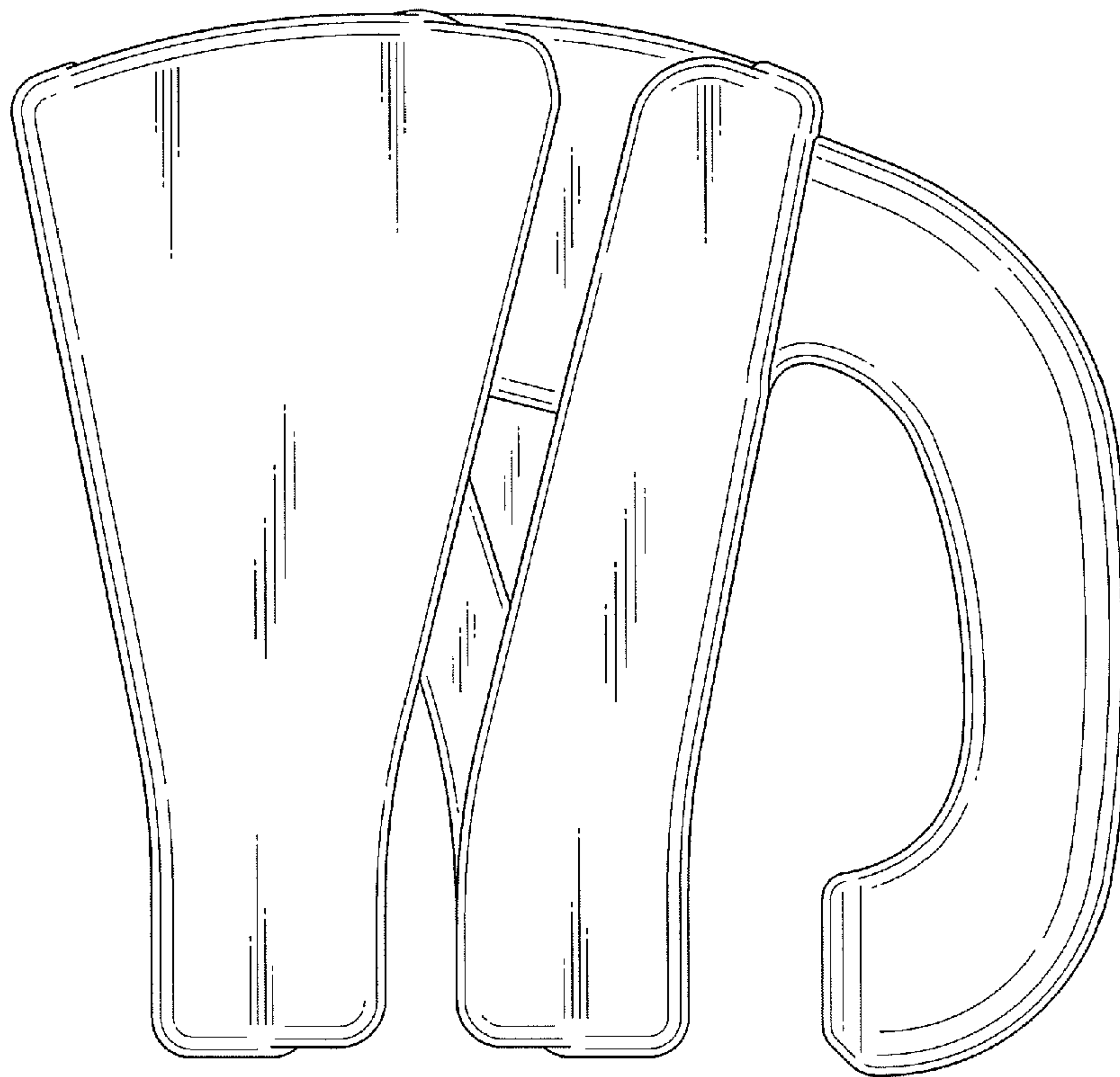


Fig. 6

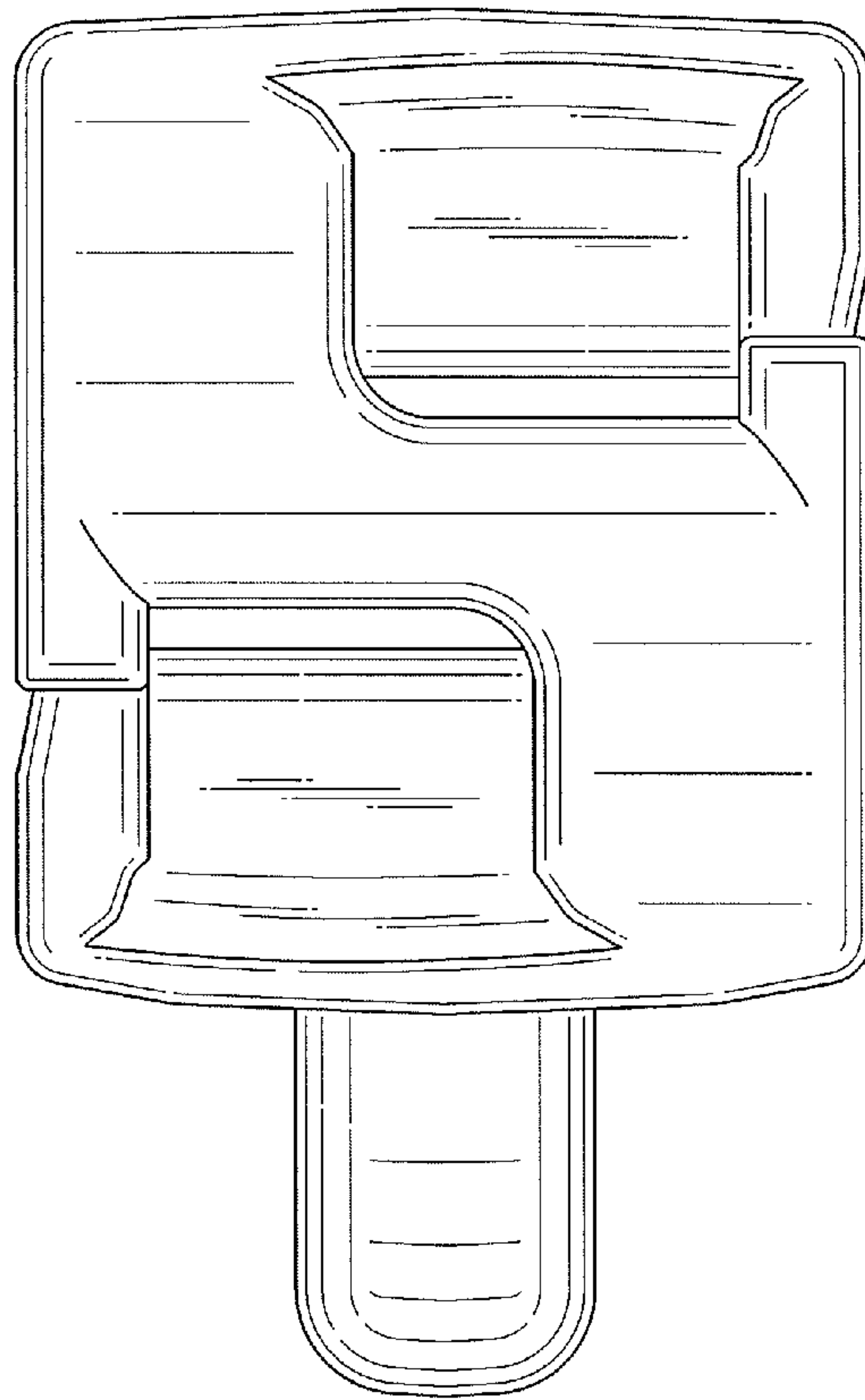


Fig. 7

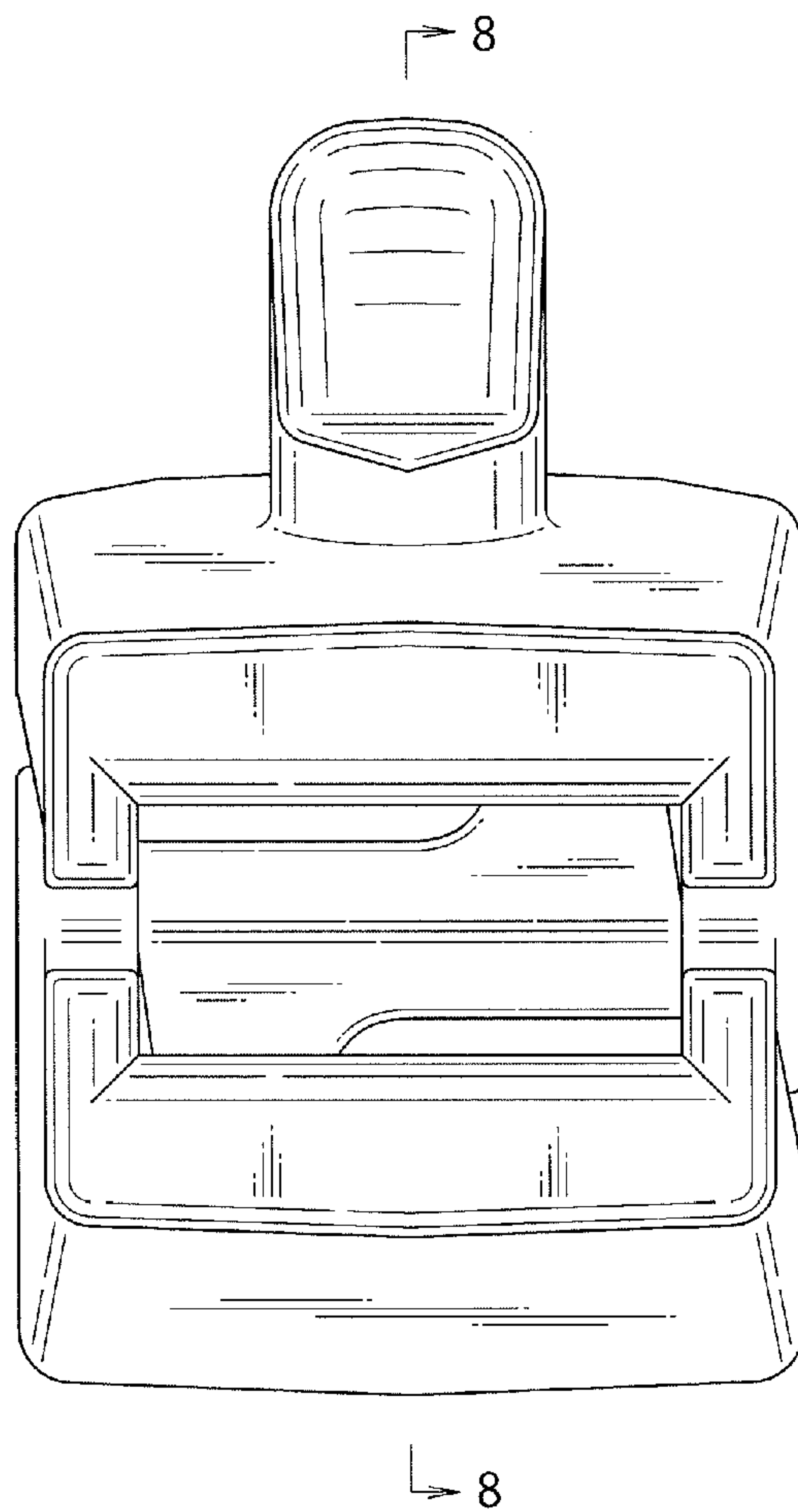




Fig. 8

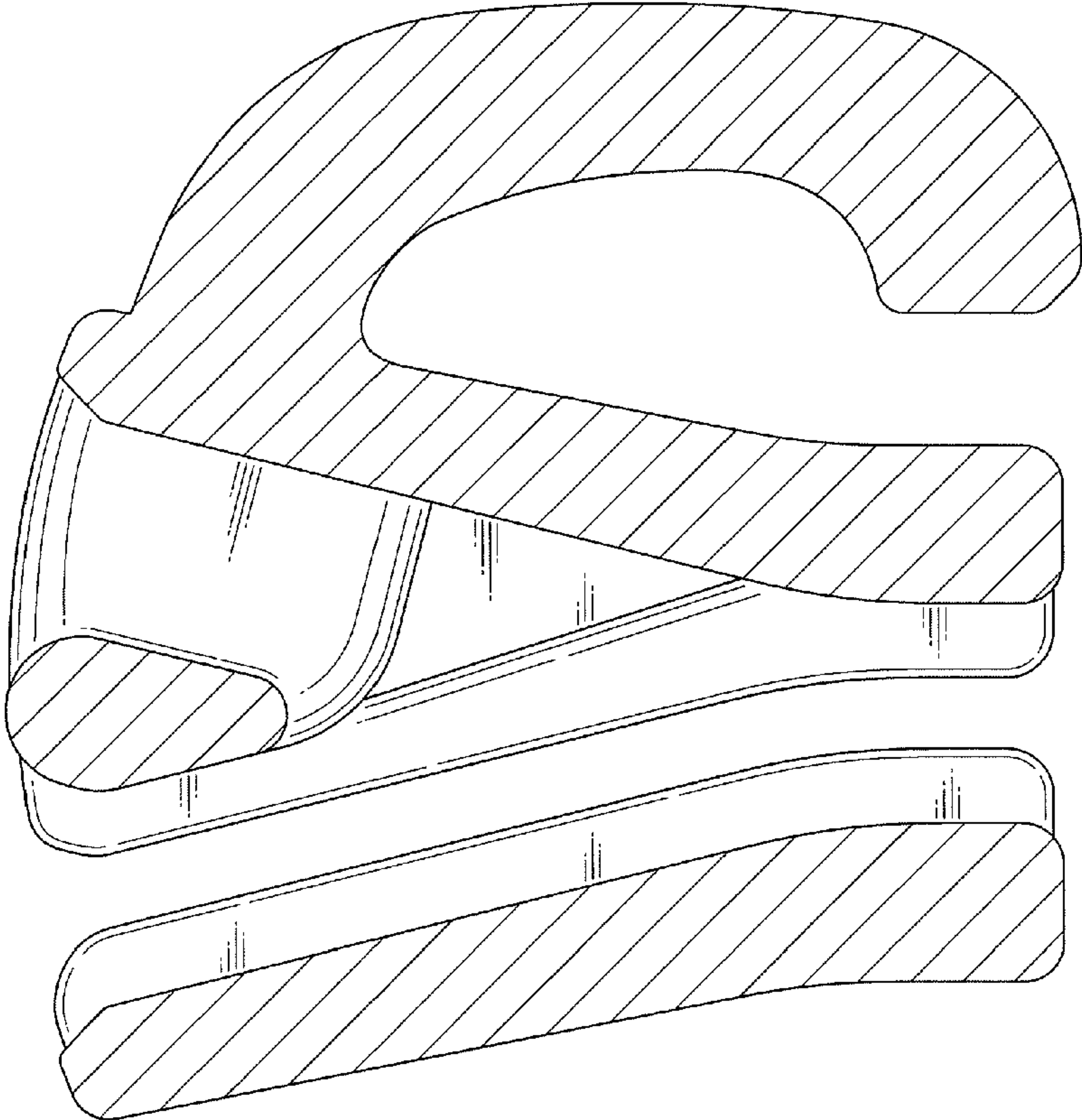


Fig. 9

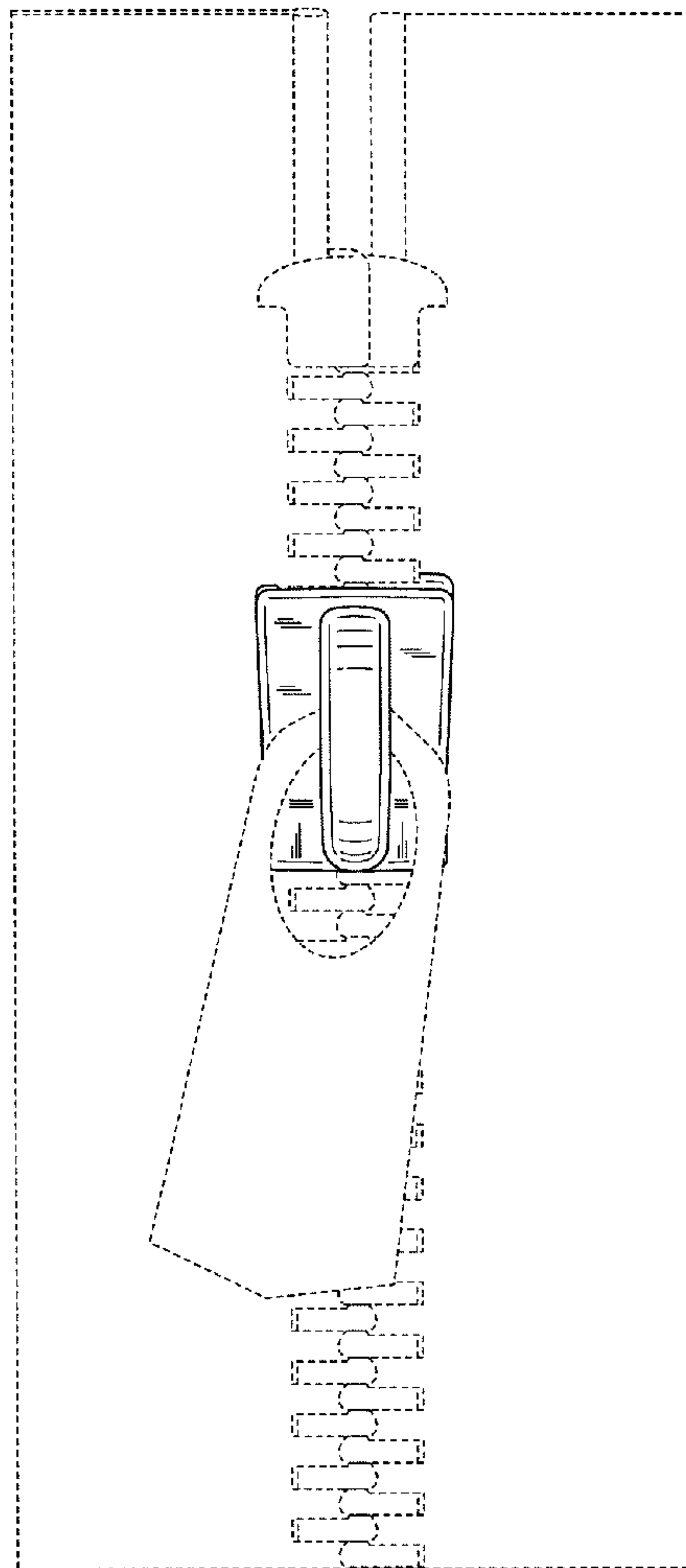


Fig. 10

