



US00D673478S

(12) **United States Design Patent**
Papadimitriou

(10) **Patent No.:** **US D673,478 S**

(45) **Date of Patent:** **** Jan. 1, 2013**

(54) **BRACELET**

(75) Inventor: **Costantino Papadimitriou**, Milan (IT)

(73) Assignee: **De Beers Centenary AG**, Lucerne (CH)

(**) Term: **14 Years**

(21) Appl. No.: **29/419,376**

(22) Filed: **Apr. 27, 2012**

Related U.S. Application Data

(62) Division of application No. 29/400,863, filed on Sep. 1, 2011, now Pat. No. Des. 665,294.

(30) **Foreign Application Priority Data**

Mar. 3, 2011 (EM) 001830332

Mar. 3, 2011 (EM) 001830365

(51) **LOC (9) Cl.** **11-01**

(52) **U.S. Cl.** **D11/4**

(58) **Field of Classification Search** D11/1-39;
63/26-28, 12-14, 3, 3.1, 3.2, 15, 15.1-15.4,
63/15.45, 15.5, 15.6, 15.65
See application file for complete search history.

(56) **References Cited**

U.S. PATENT DOCUMENTS

- D162,079 S * 2/1951 Philippe D11/4
- D192,122 S * 1/1962 Braun D11/4
- D246,354 S * 11/1977 Durante D11/36
- D257,022 S * 9/1980 Barr D11/35
- D270,722 S * 9/1983 Bulgari D11/35
- D291,664 S * 9/1987 Kelman D11/27
- D334,004 S * 3/1993 Mandelbaum D11/76
- D399,779 S * 10/1998 Bulgari D11/29

- D420,932 S * 2/2000 Shinohara D11/26
- 6,568,213 B2 * 5/2003 Butler 63/26
- D489,023 S * 4/2004 Steiner D11/38

(Continued)

Primary Examiner — Cathron Brooks

Assistant Examiner — Melanie Pellegrini

(74) *Attorney, Agent, or Firm* — SNR Denton US LLP;
Brian R. McGinley

(57) **CLAIM**

The ornamental design for a bracelet, as shown and described.

DESCRIPTION

FIG. 1 is a front view of a first embodiment of the bracelet; FIG. 2 is a rear view of the bracelet illustrated in FIG. 1; FIG. 3 is a right elevational view of the bracelet illustrated in FIG. 1; FIG. 4 is a left elevational view of the bracelet illustrated in FIG. 1; FIG. 5 is a top view of the bracelet illustrated in FIG. 1; FIG. 6 is a bottom view of the bracelet illustrated in FIG. 1; FIG. 7 is a perspective view of the bracelet illustrated in FIG. 1; FIG. 8 is a front view of a second embodiment of the bracelet; FIG. 9 is a rear view of the bracelet illustrated in FIG. 8; FIG. 10 is a right elevational view of the bracelet illustrated in FIG. 8; FIG. 11 is a left elevational view of the bracelet illustrated in FIG. 8; FIG. 12 is a top view of the bracelet illustrated in FIG. 8; FIG. 13 is a bottom view of the bracelet illustrated in FIG. 8; and, FIG. 14 is a perspective view of the bracelet illustrated in FIG. 8.

1 Claim, 10 Drawing Sheets



US D673,478 S

Page 2

U.S. PATENT DOCUMENTS

D514,011 S *	1/2006	Aghjayan et al.	D11/35	D663,230 S *	7/2012	Fillon	D11/4
D562,173 S *	2/2008	Hardy	D11/4	D663,231 S *	7/2012	Fillon	D11/4
D630,541 S *	1/2011	Shimansky	D11/26	2008/0087042 A1 *	4/2008	Heimann	63/26
D639,690 S *	6/2011	Zhu	D11/3	2009/0235689 A1 *	9/2009	Slowinski	63/15

* cited by examiner

FIG. 1

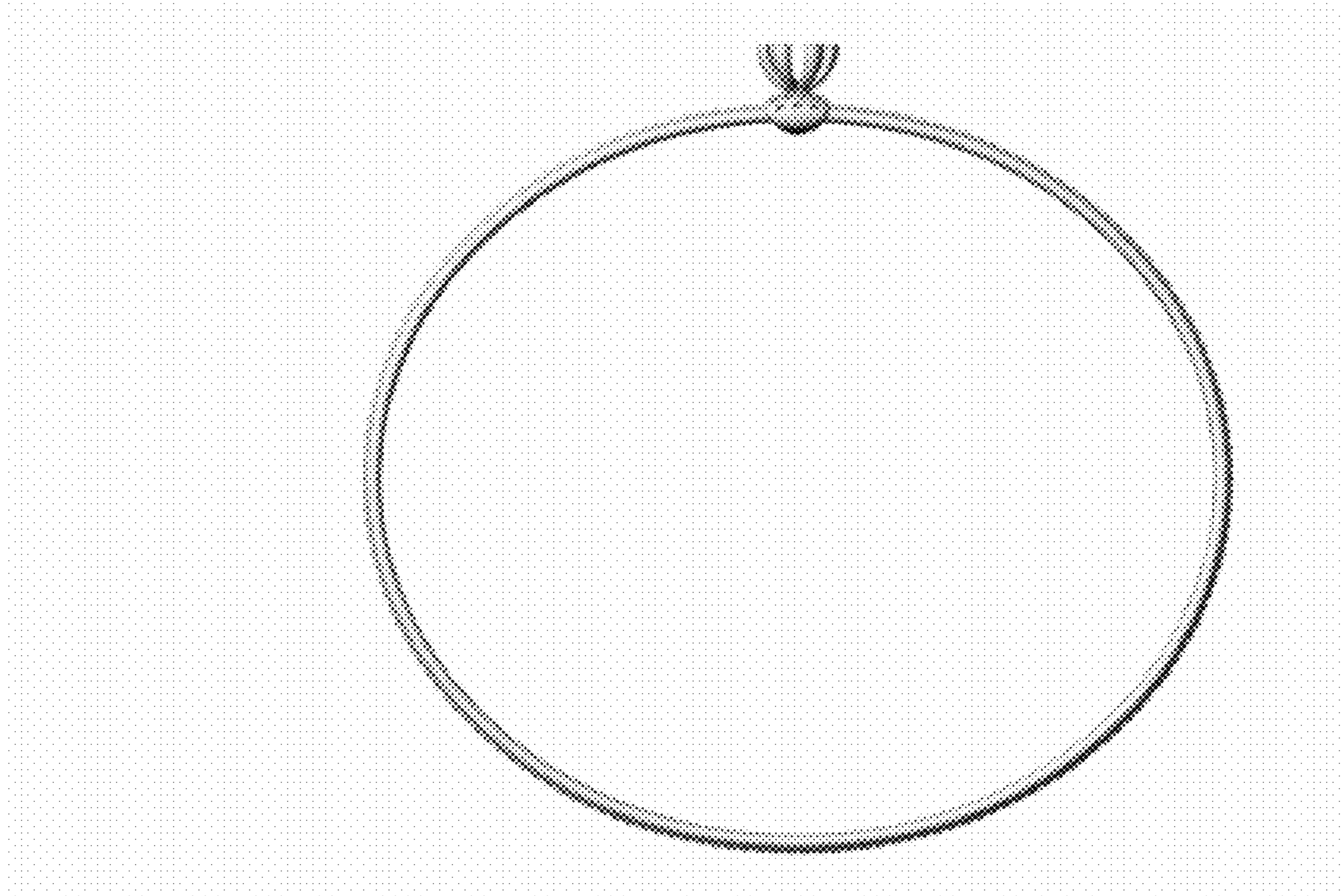


FIG. 2

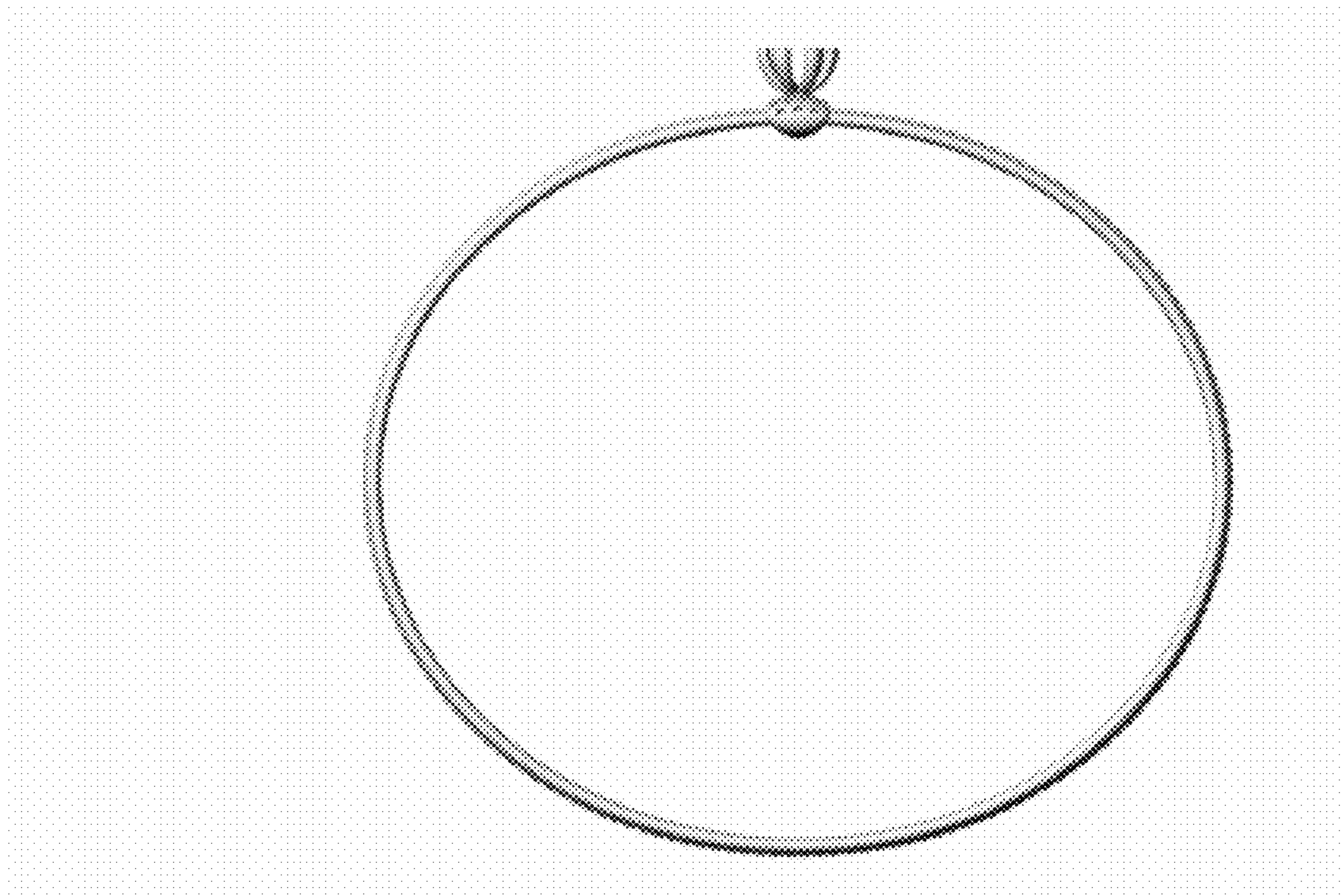


FIG. 3

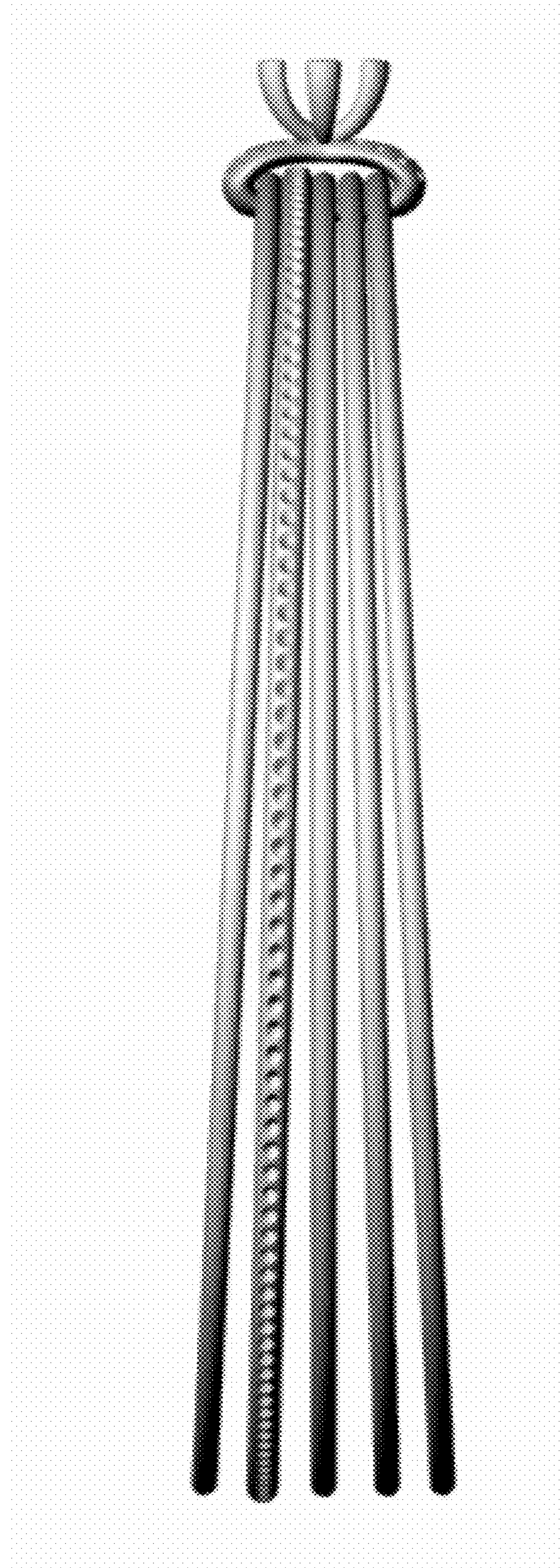


FIG. 4

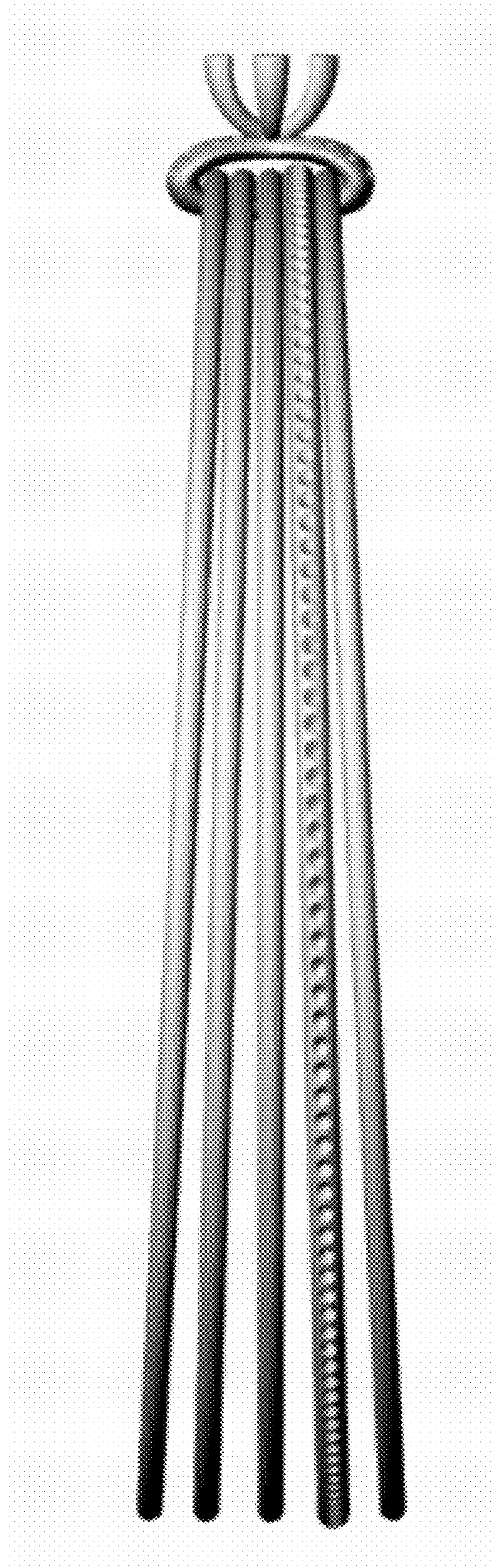


FIG. 5

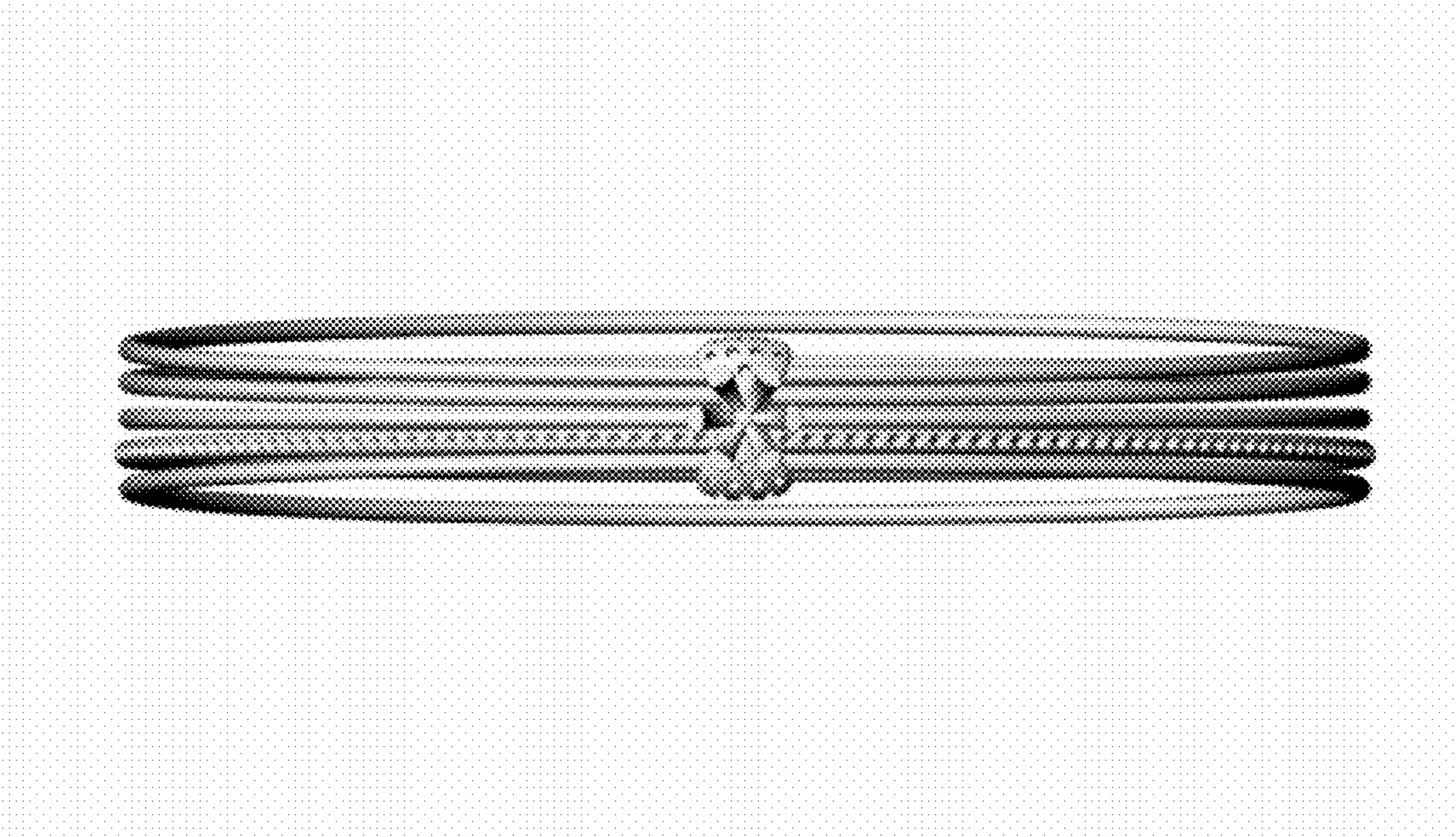


FIG. 6

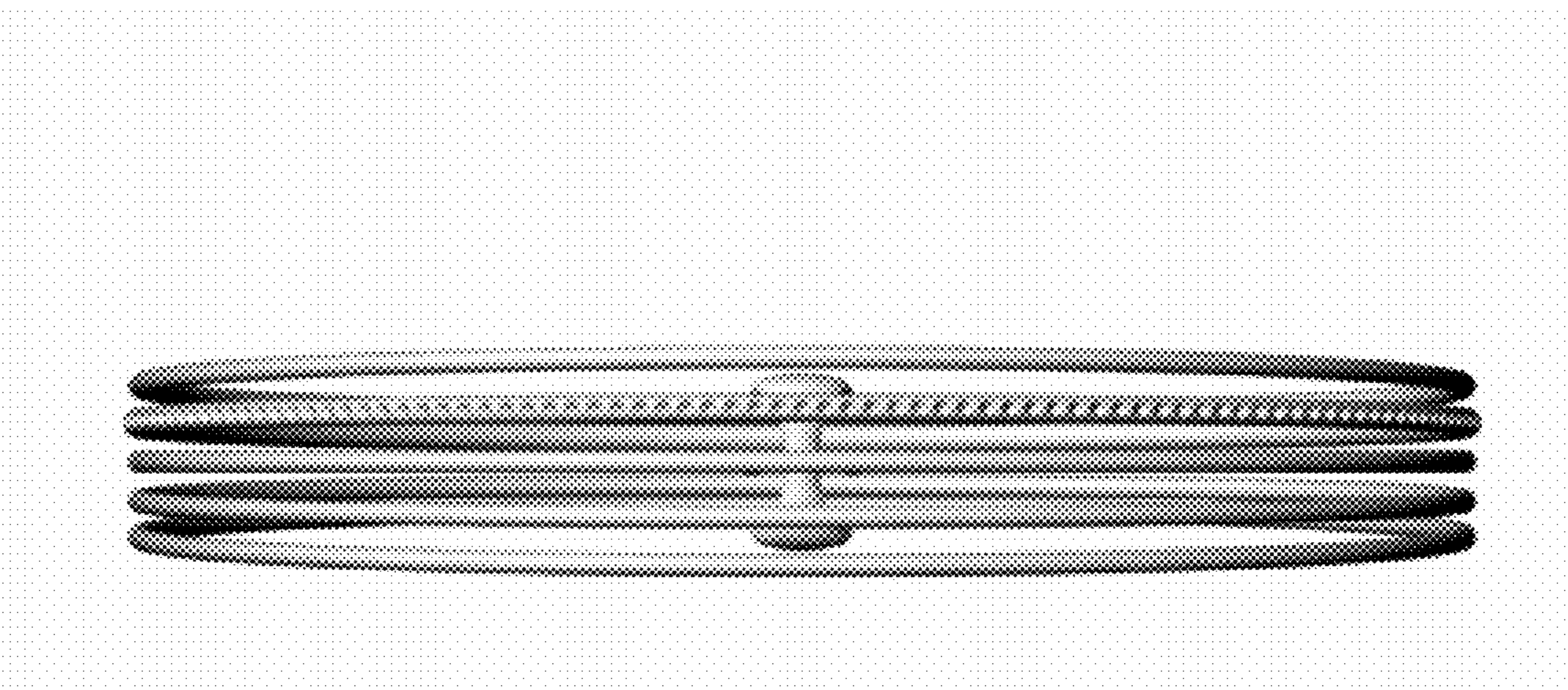


FIG. 7



FIG. 8

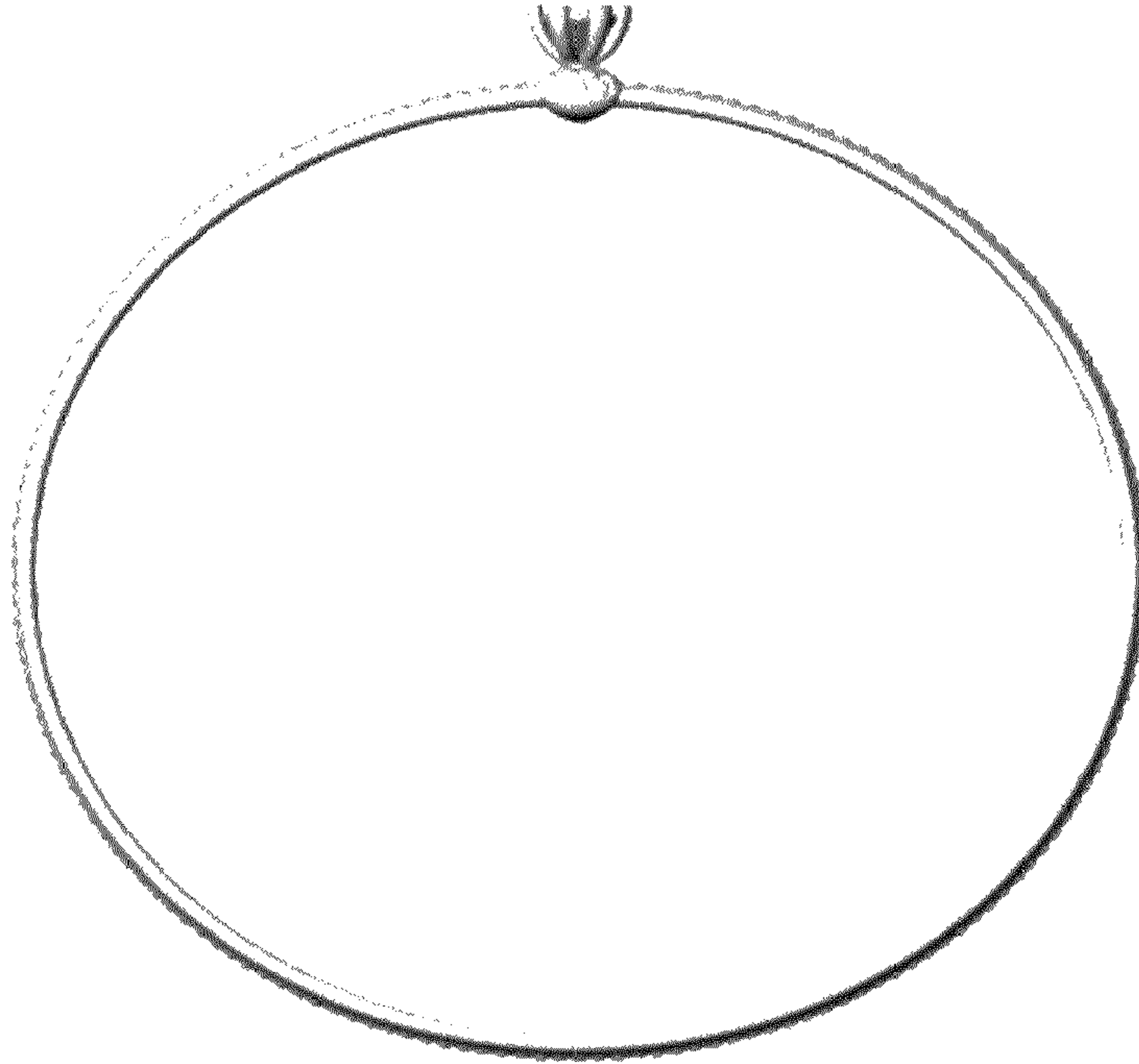


FIG. 9

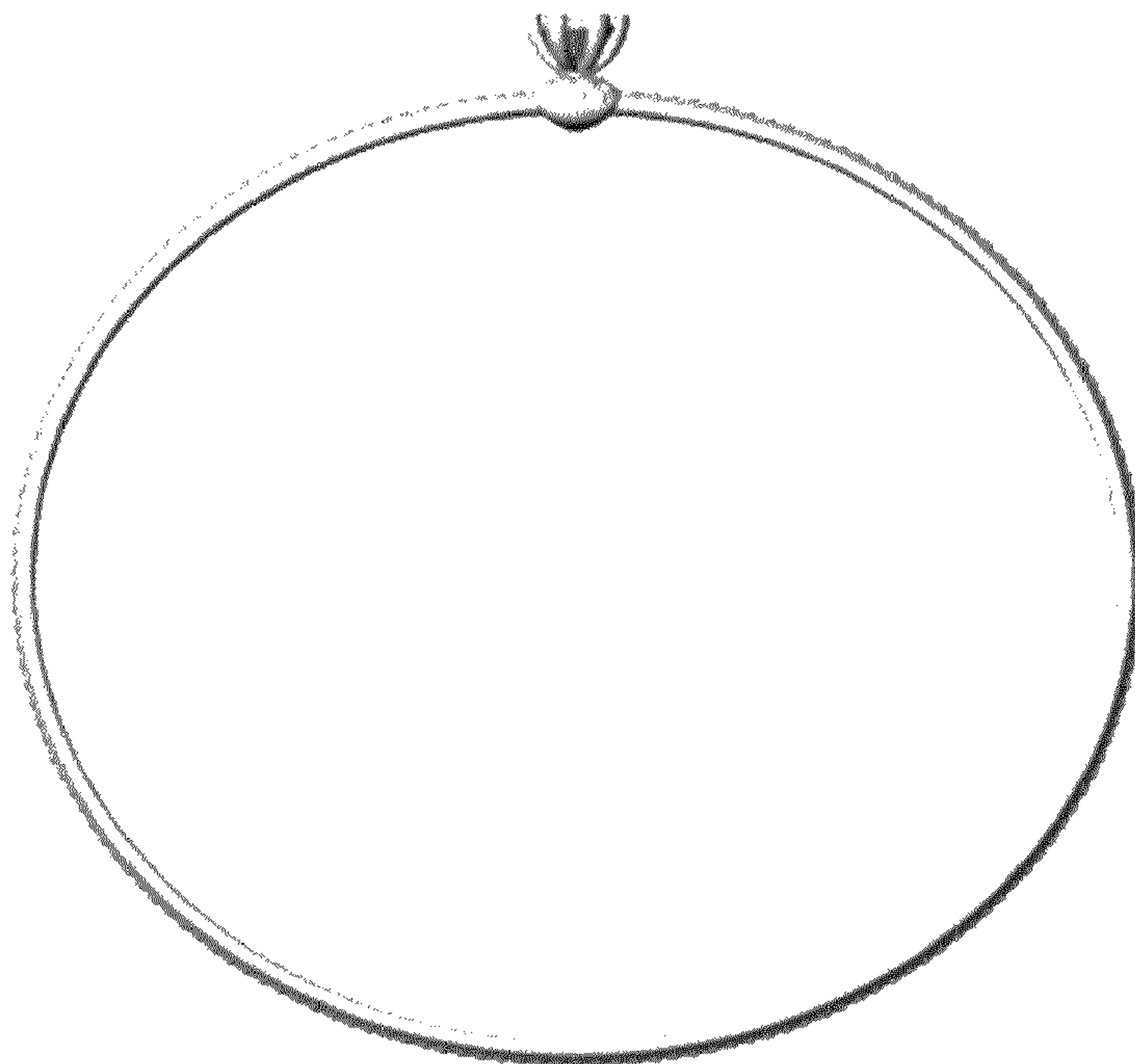


FIG. 10

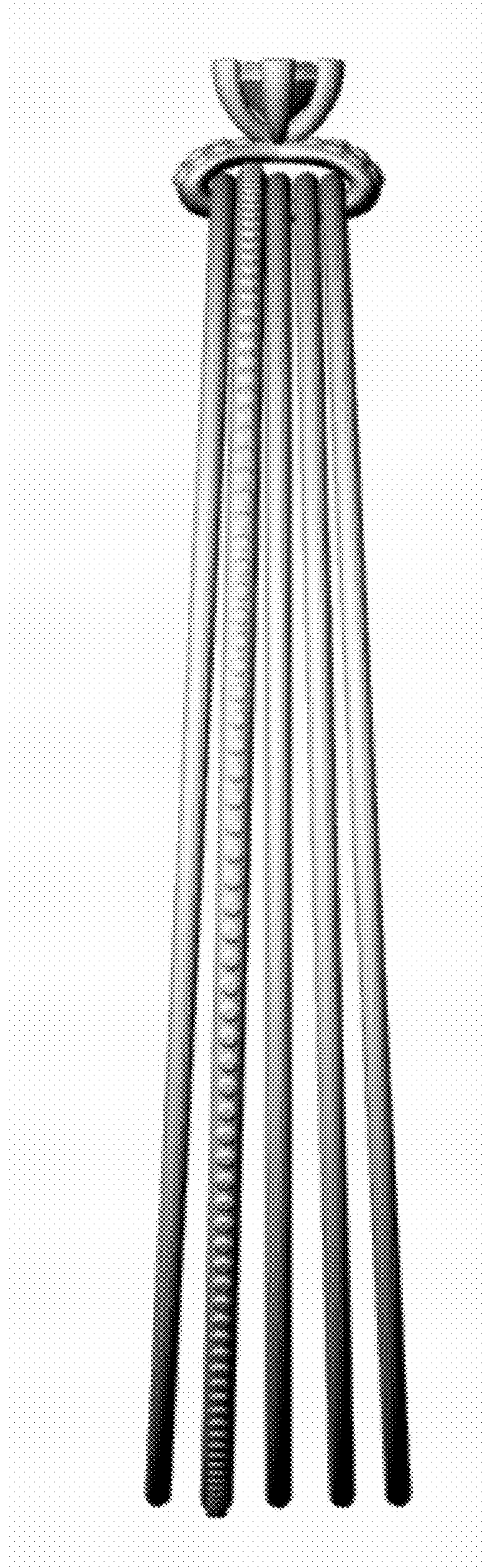


FIG. 11

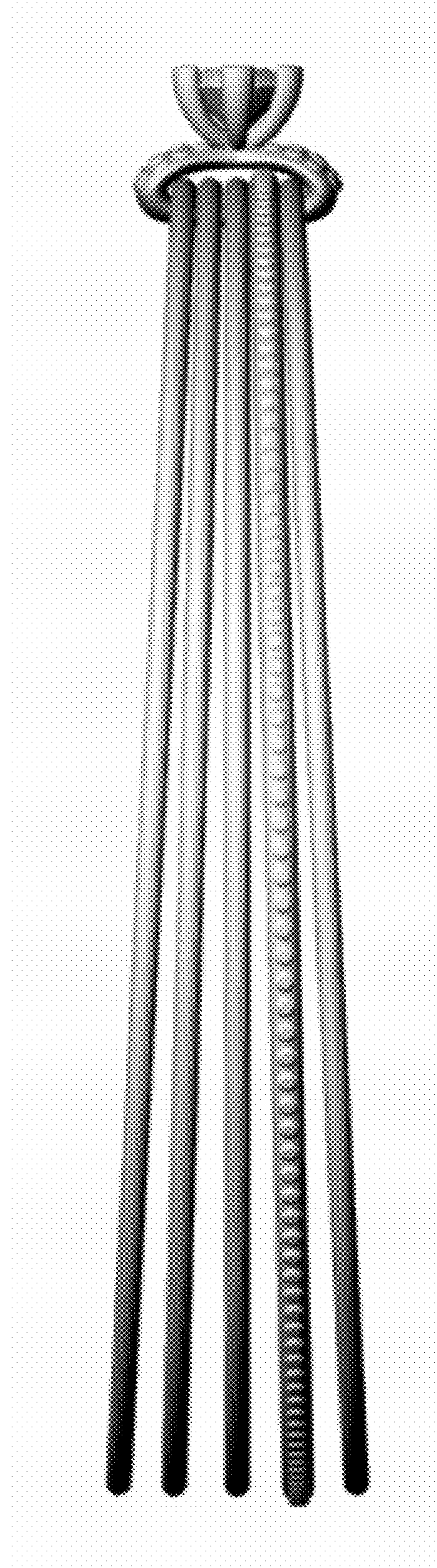


FIG. 12

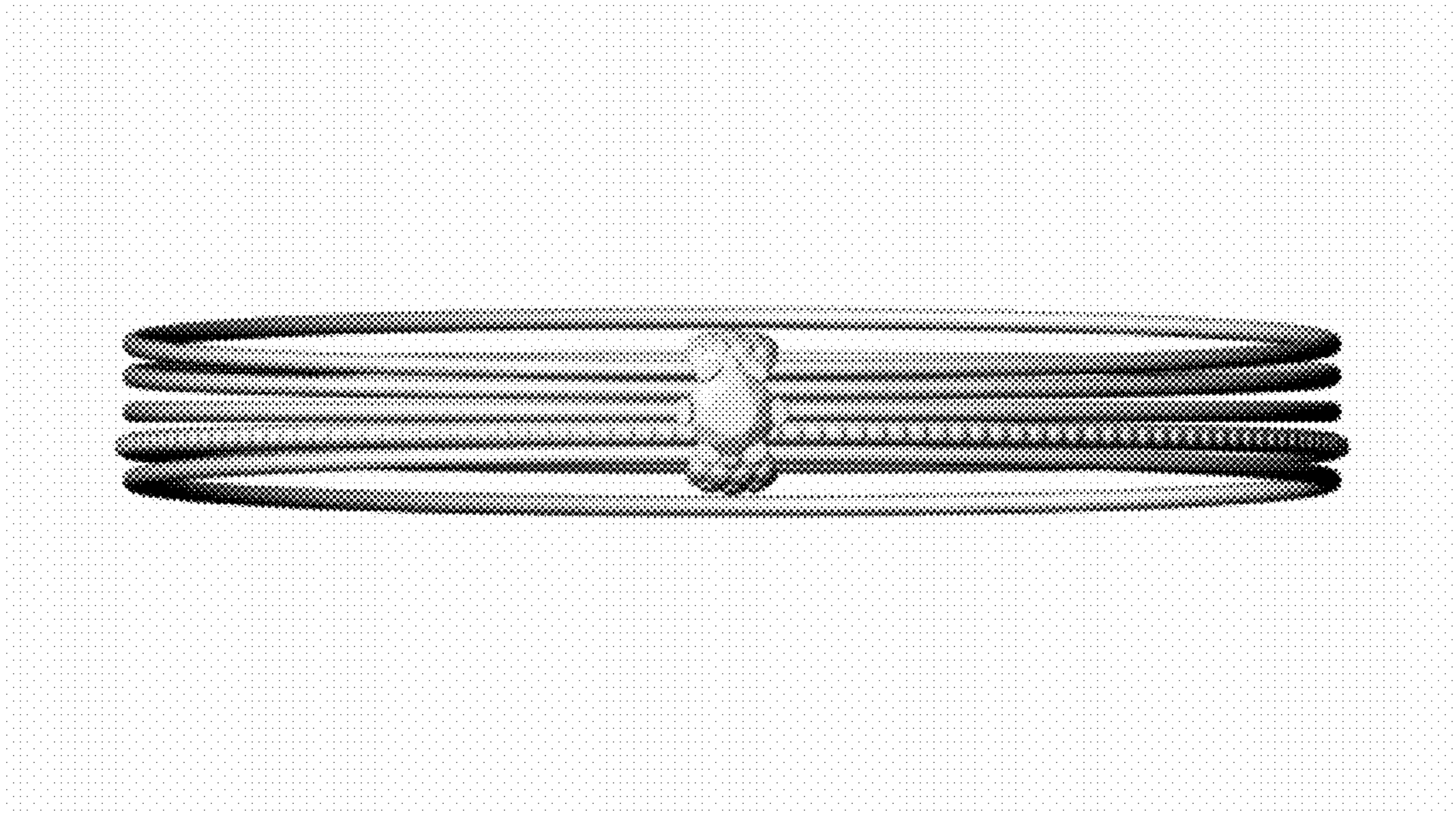


FIG. 13

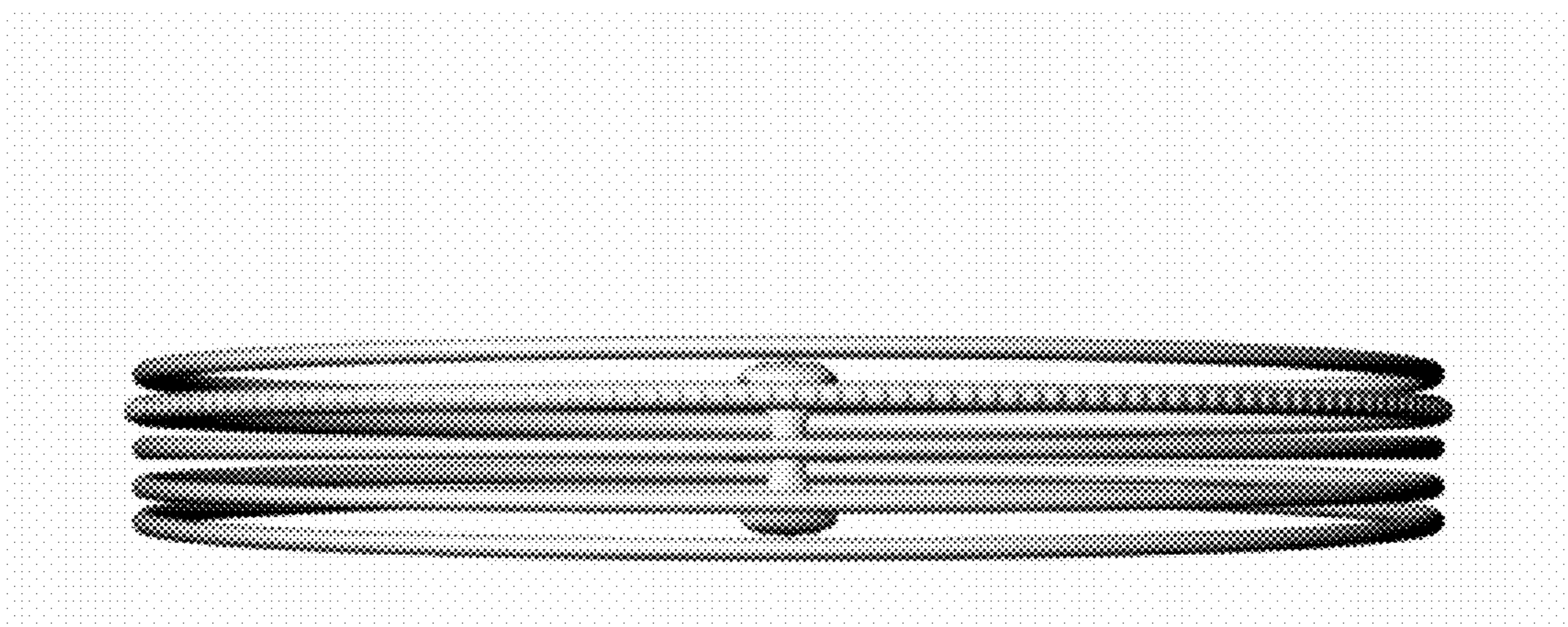


FIG. 14

