



US00D673477S

(12) **United States Design Patent**  
**Szellos**

(10) **Patent No.:** **US D673,477 S**

(45) **Date of Patent:** **\*\* Jan. 1, 2013**

(54) **WATCHBAND AND CLIP FOR MOUNTING  
OF AN ELECTRONIC DISPLAY AND SOUND  
REPRODUCTION DEVICE**

(76) Inventor: **David Szellos**, Toronto (CA)

(\*\*) Term: **14 Years**

(21) Appl. No.: **29/375,943**

(22) Filed: **Sep. 30, 2010**

(51) **LOC (9) Cl.** ..... **10-07**

(52) **U.S. Cl.** ..... **D10/128**

(58) **Field of Classification Search** ..... D10/46,  
D10/30-32, 38, 70, 122-132; D24/140,  
D24/164; 368/276, 281, 282, 285, 239-242,  
368/28-30, 82-84; 600/301, 485, 503; 604/290,  
604/890.1; D11/1, 4-6, 11, 12, 15, 17, 21,  
D11/22, 25, 93, 94, 192, 3, 86; D3/207;  
63/11, 7, 3.1, 3.2, 4, 5.1, 5.2

See application file for complete search history.

(56) **References Cited**

**U.S. PATENT DOCUMENTS**

D214,336 S *	6/1969	Petrie	.....	D11/87
D239,373 S *	3/1976	Hubenbeck	.....	D10/38
D240,918 S *	8/1976	Tvengsberg	.....	D19/20
D271,379 S *	11/1983	Malamoud	.....	D10/38
D287,574 S *	1/1987	Nakane	.....	D10/33

5,889,737 A *	3/1999	Alameh et al.	.....	368/204
D575,665 S *	8/2008	Fasciano	.....	D11/94
D584,972 S *	1/2009	Aeberhard et al.	.....	D10/70
D637,464 S *	5/2011	Chenelia	.....	D8/34
2009/0088230 A1 *	4/2009	Park	.....	455/575.6
2011/0274303 A1 *	11/2011	Filson et al.	.....	381/332
2012/0073090 A1 *	3/2012	Szellos	.....	24/489
2012/0073093 A1 *	3/2012	Szellos	.....	24/594.1

\* cited by examiner

*Primary Examiner* — T. Chase Nelson

*Assistant Examiner* — Michelle E Wilson

(74) *Attorney, Agent, or Firm* — Riches, McKenzie & Herbert, LLP

(57) **CLAIM**

The ornamental design for a watchband and clip for mounting of an electronic display and sound reproduction device, as shown and described.

**DESCRIPTION**

FIG. 1 is a front perspective view of a watchband and clip for mounting of an electronic display and sound reproduction device showing my new design; FIG. 2 is a top plan view thereof; FIG. 3 is a bottom plan view thereof; and, FIG. 4 is a rear perspective view thereof, shown in use. The broken line showing of the electronic device is included for the purpose of illustrating environment and forms no part of the claimed design.

**1 Claim, 2 Drawing Sheets**

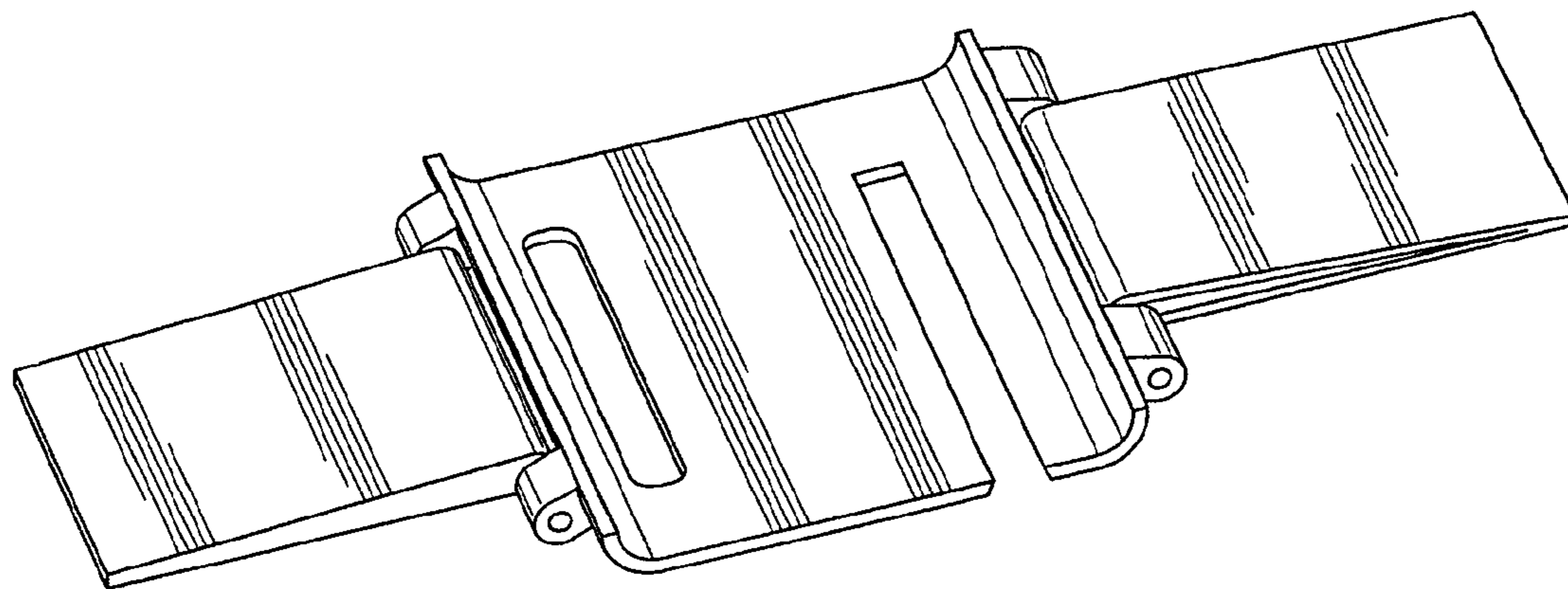


Fig.1

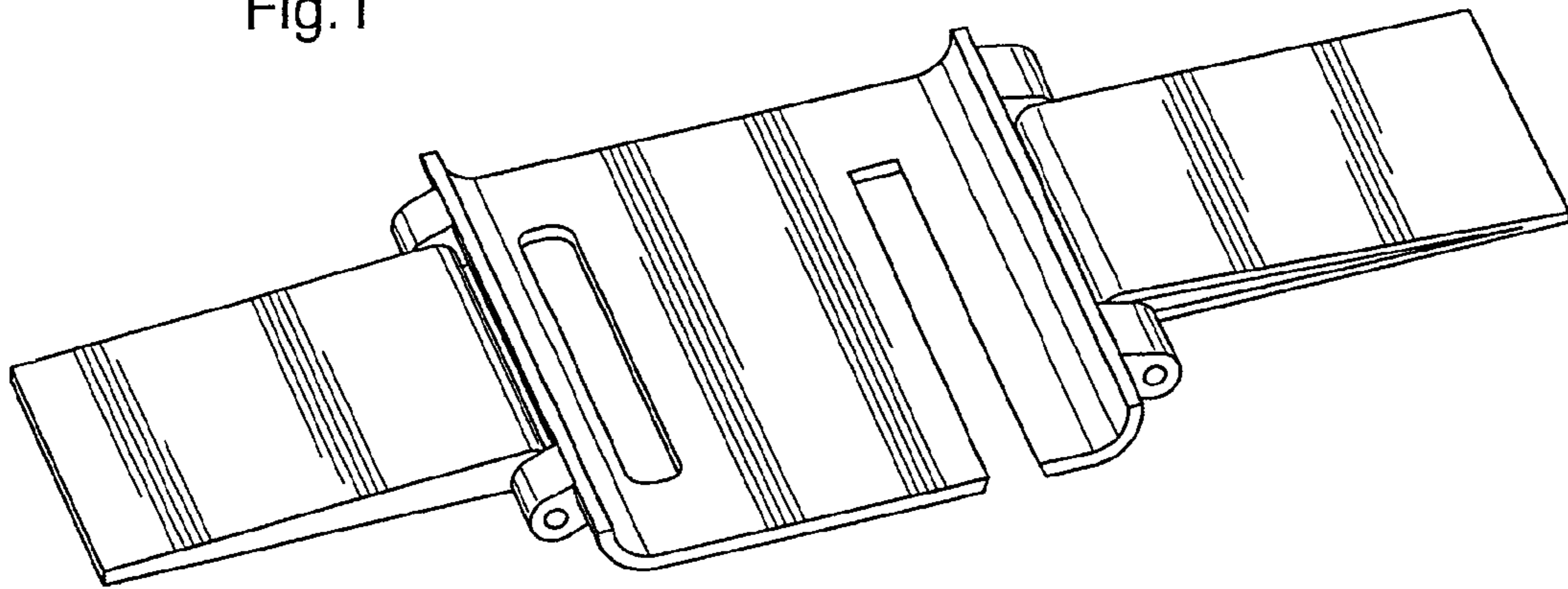


Fig.2

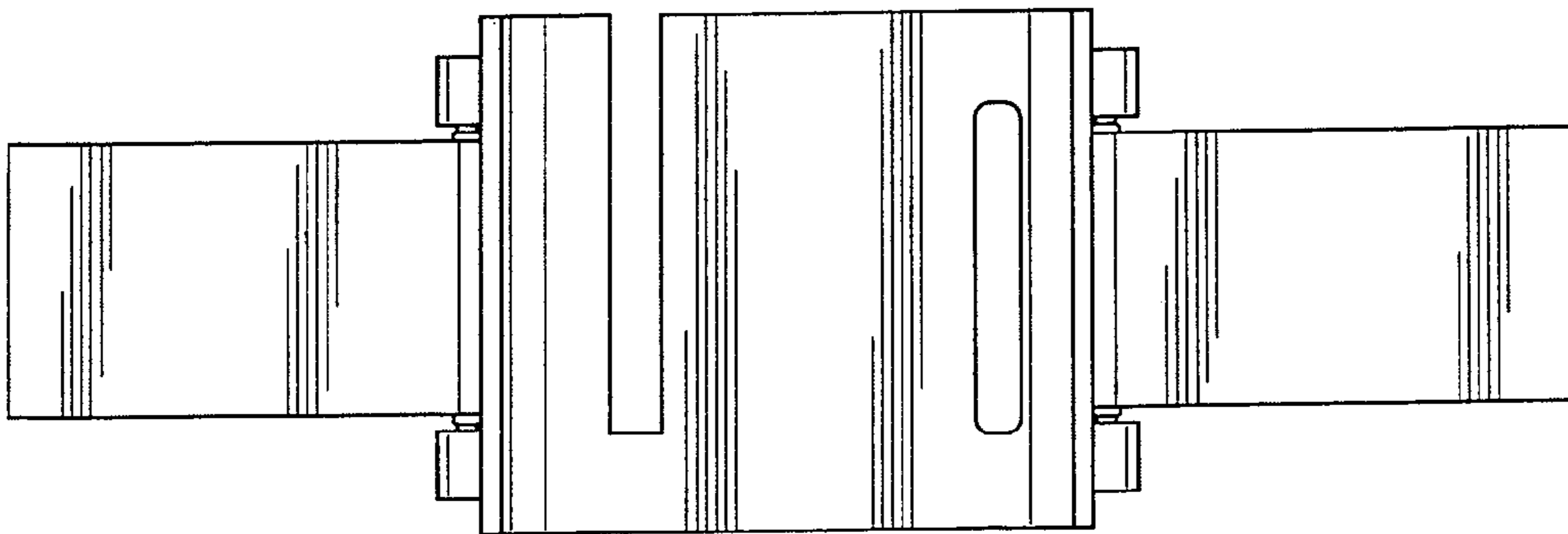


Fig.3

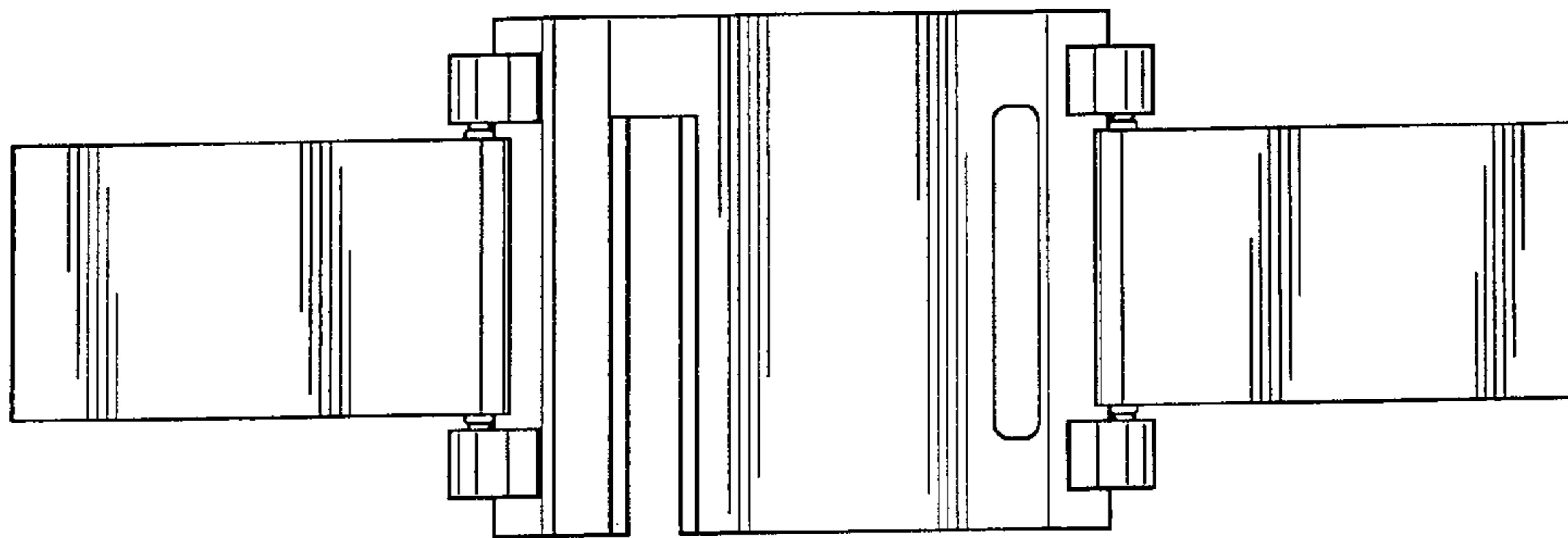


Fig.4

