



US00D673476S

(12) **United States Design Patent**
Clore

(10) **Patent No.:** **US D673,476 S**

(45) **Date of Patent:** **** Jan. 1, 2013**

(54) **INDICATOR LIGHT TOWER**

(76) Inventor: **Lee Clore**, Hastings, MN (US)

(**) Term: **14 Years**

(21) Appl. No.: **29/412,134**

(22) Filed: **Jan. 31, 2012**

(51) **LOC (9) Cl.** **10-05**

(52) **U.S. Cl.** **D10/114.6**

(58) **Field of Classification Search** ... D10/114.1-114.4,
D10/114.6, 114.9, 113.1, 111; D26/67, 76;
362/184; 340/815.4

See application file for complete search history.

(56) **References Cited**

U.S. PATENT DOCUMENTS

D389,940 S *	1/1998	Waldmann	D26/76
D574,539 S *	8/2008	Sanoner	D26/67
D575,183 S *	8/2008	Seitz	D10/111
2003/0030567 A1 *	2/2003	Hetzel et al.	340/815.4

* cited by examiner

Primary Examiner — George D Kirschbaum

(74) *Attorney, Agent, or Firm* — Skinner and Associates

(57) **CLAIM**

The ornamental design for an indicator light tower, as shown and described.

DESCRIPTION

FIG. 1 is a perspective view of an indicator light tower, showing my new design;

FIG. 2 is a front view thereof.

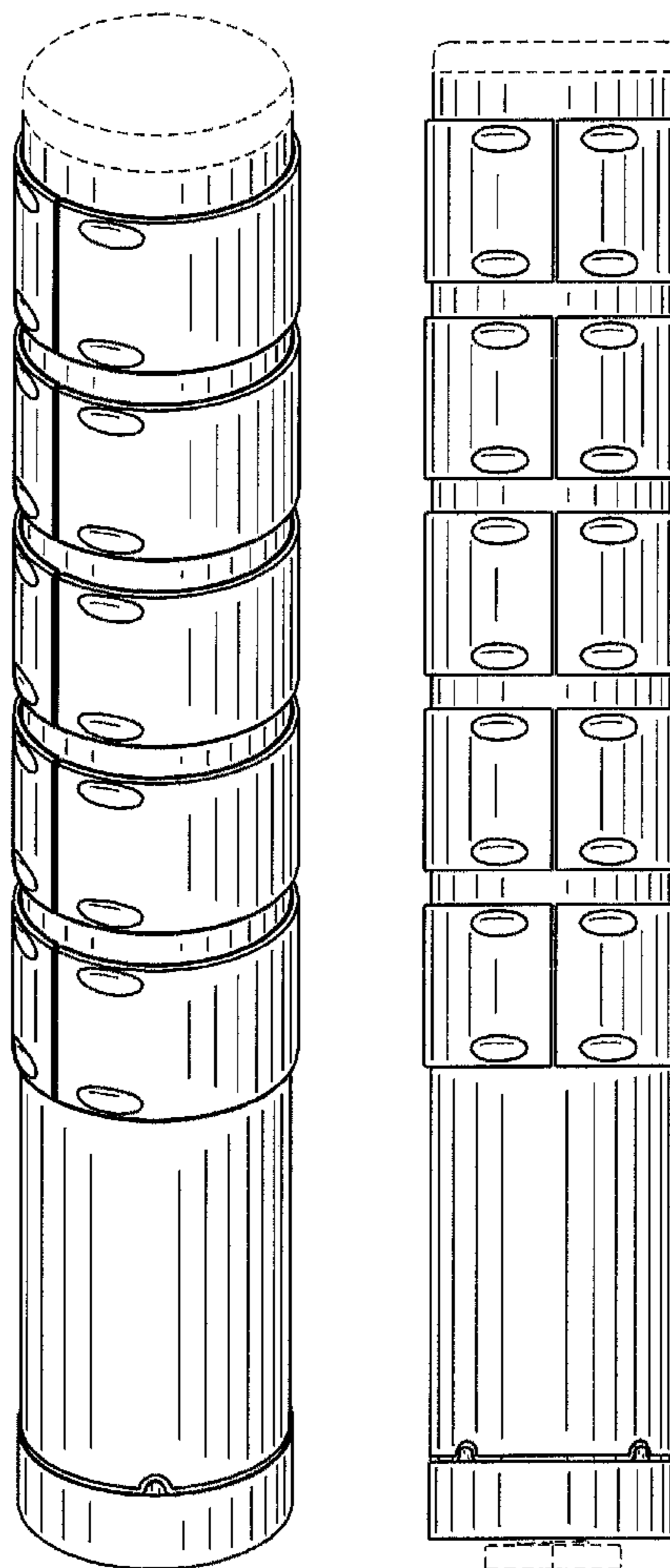
FIG. 3 is a side view thereof.

FIG. 4 is a top view thereof; and,

FIG. 5 is bottom view thereof.

In FIGS. 1-5, the broken lines defining structural elements depict environmental subject matter that forms no part of the claimed design.

1 Claim, 2 Drawing Sheets



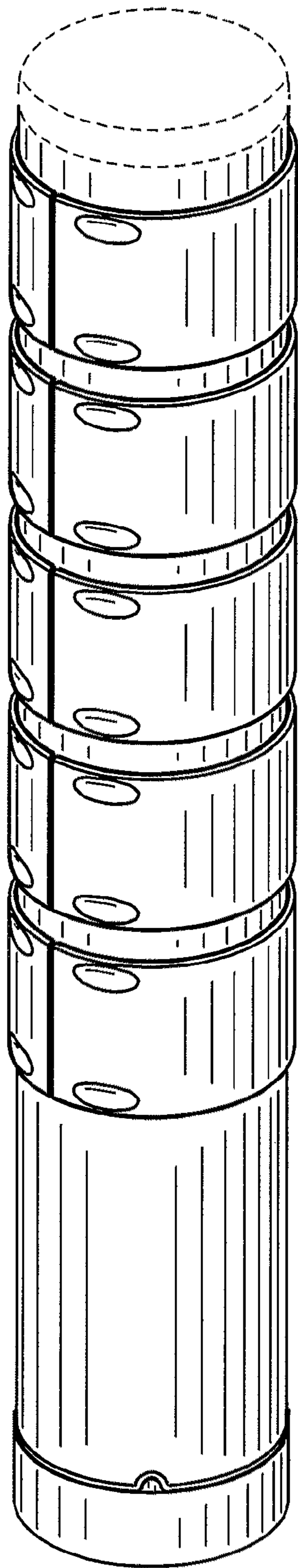


FIG. 1

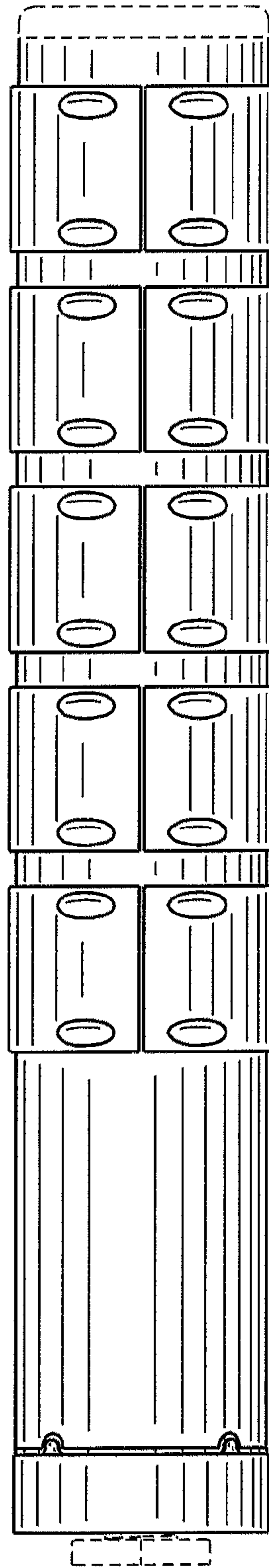


FIG. 2

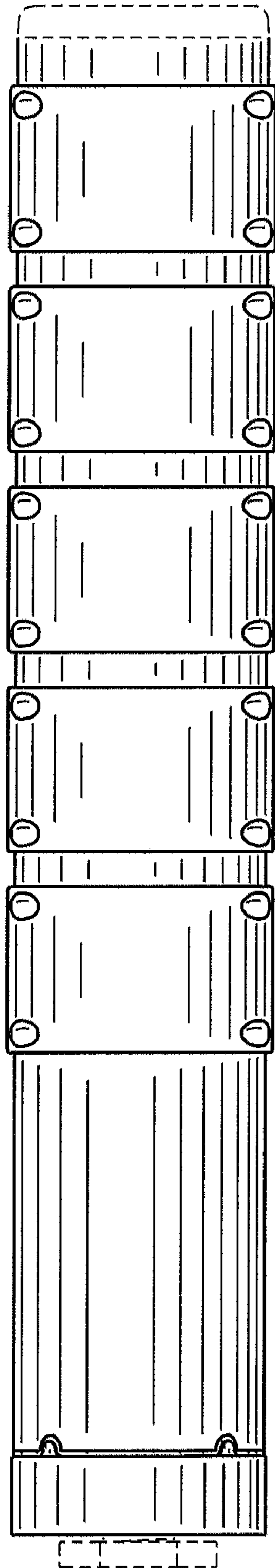


FIG. 3

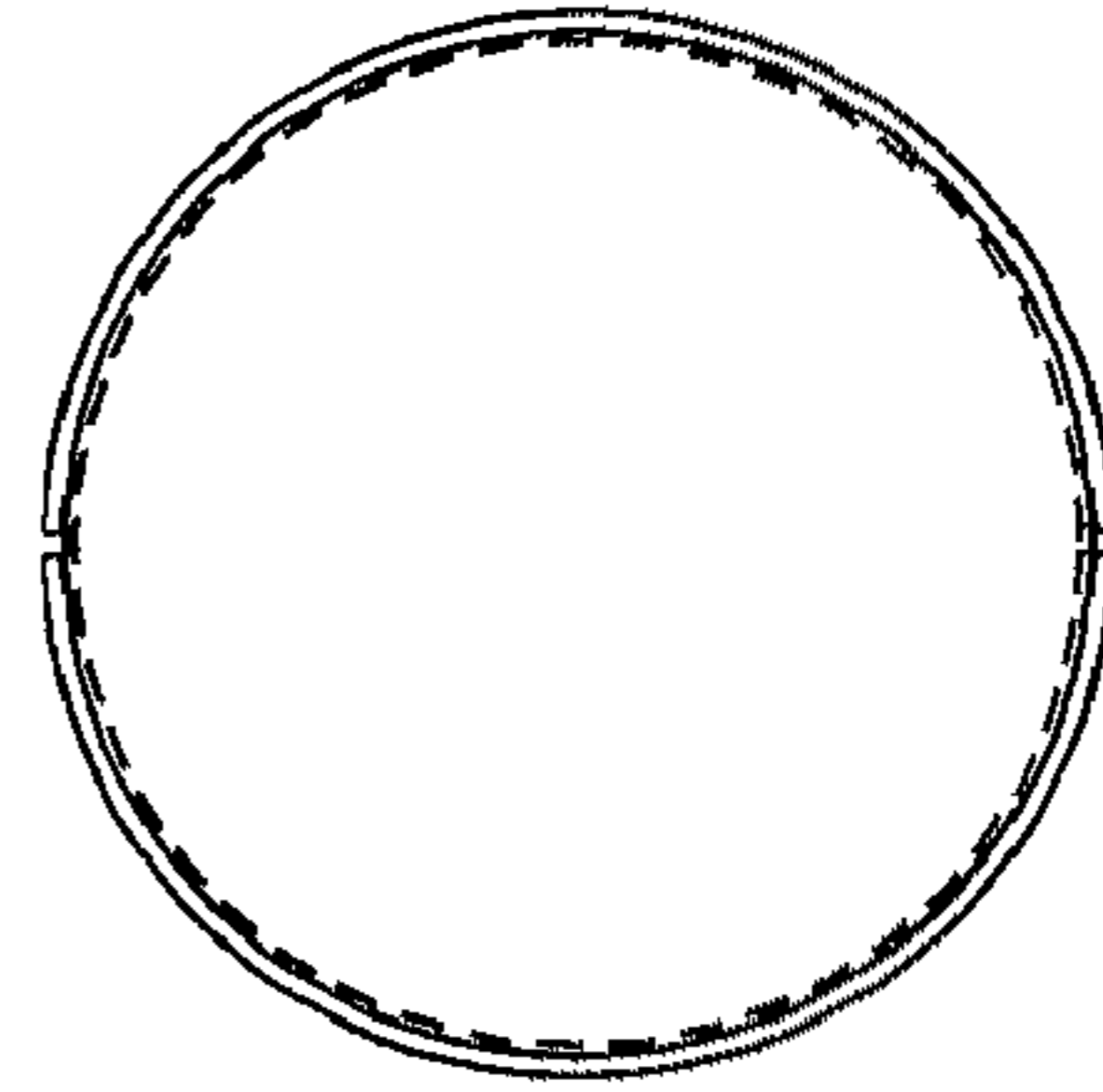


FIG. 4

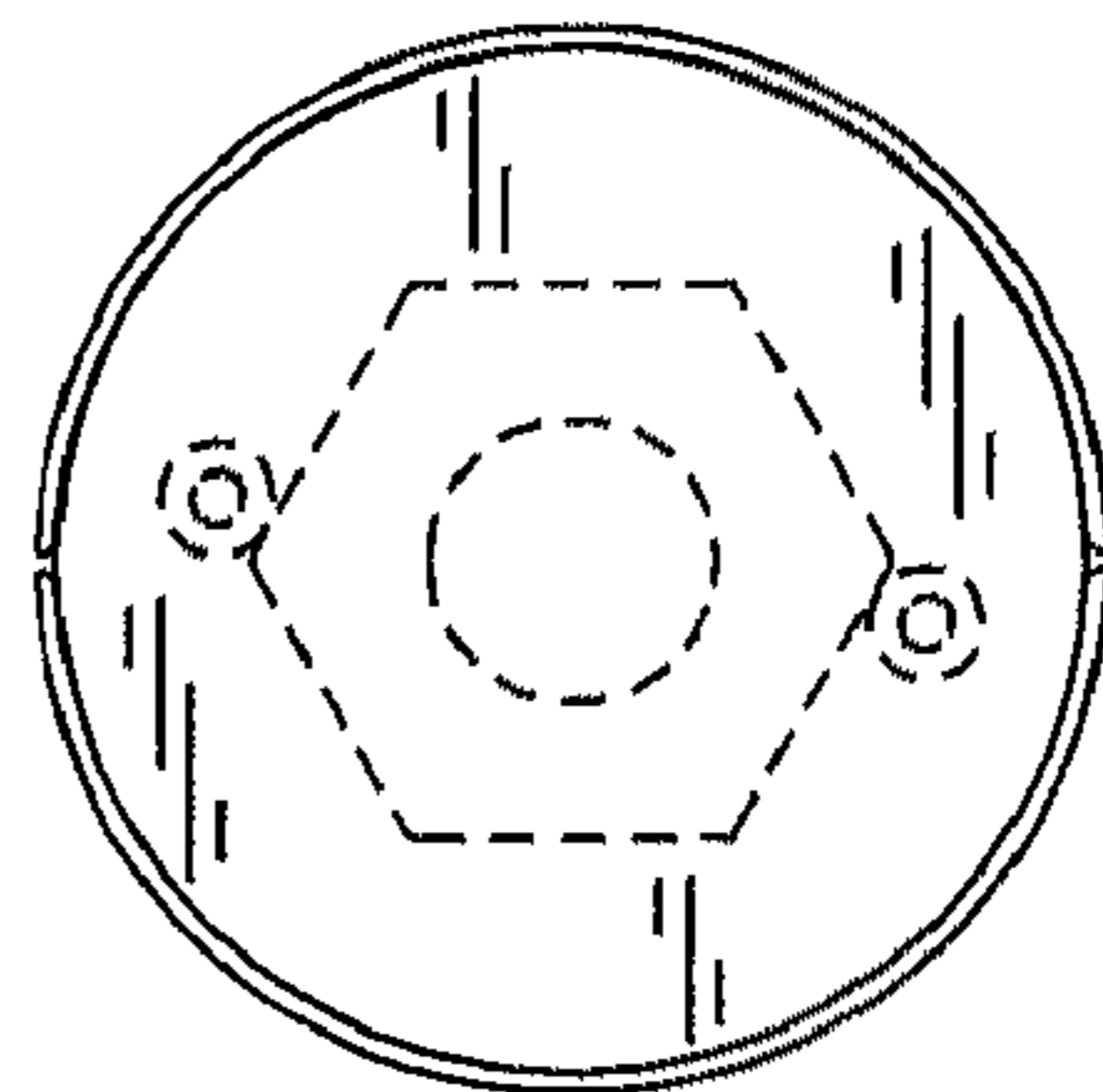


FIG. 5