



US00D673472S

(12) **United States Design Patent**
Sugita

(10) **Patent No.:** **US D673,472 S**
(45) **Date of Patent:** **** Jan. 1, 2013**

(54) **IN-VEHICLE NAVIGATION DEVICE**

(75) Inventor: **Muneki Sugita**, Nakano (JP)

(73) Assignee: **Clarion Co., Ltd.**, Saitama (JP)

(**) Term: **14 Years**

(21) Appl. No.: **29/403,285**

(22) Filed: **Oct. 4, 2011**

(30) **Foreign Application Priority Data**

Apr. 20, 2011 (JP) 2011-009125

(51) **LOC (9) Cl.** **10-04**

(52) **U.S. Cl.** **D10/65; D10/70**

(58) **Field of Classification Search** D10/65,

D10/70, 75, 76; D14/347, 136, 167, 168,
D14/496, 498, 499, 500, 125-134, 239, 371,
D14/374-377, 440, 450, 448, 336, 342; 342/351,
342/419, 457, 357.06-357.16; 343/702;
345/87, 104, 133, 156, 168, 173, 901-905;
348/180, 184, 315, 739, 836, 838, 325; 364/444,
364/499; 701/23-28, 400, 408, 409, 468-491,
701/526; 312/7.2; 341/12; 720/605, 669,
720/600, 655; 369/99, 197; 455/344, 347

See application file for complete search history.

(56) **References Cited**

U.S. PATENT DOCUMENTS

D459,667 S * 7/2002 Kataoka D10/80
D565,975 S * 4/2008 Monaco D10/64

D582,807 S * 12/2008 Ichikawa et al. D10/65
D597,424 S * 8/2009 Miyawaki D10/65
D608,230 S * 1/2010 Sugita D10/65
D627,244 S * 11/2010 Nakane et al. D10/65
D653,132 S * 1/2012 Shimizu D10/65
D657,699 S * 4/2012 Shimizu D10/64
8,255,157 B2 * 8/2012 Harada 701/426

* cited by examiner

Primary Examiner — Antoine D Davis

(74) *Attorney, Agent, or Firm* — Scully, Scott, Murphy & Presser, P.C.

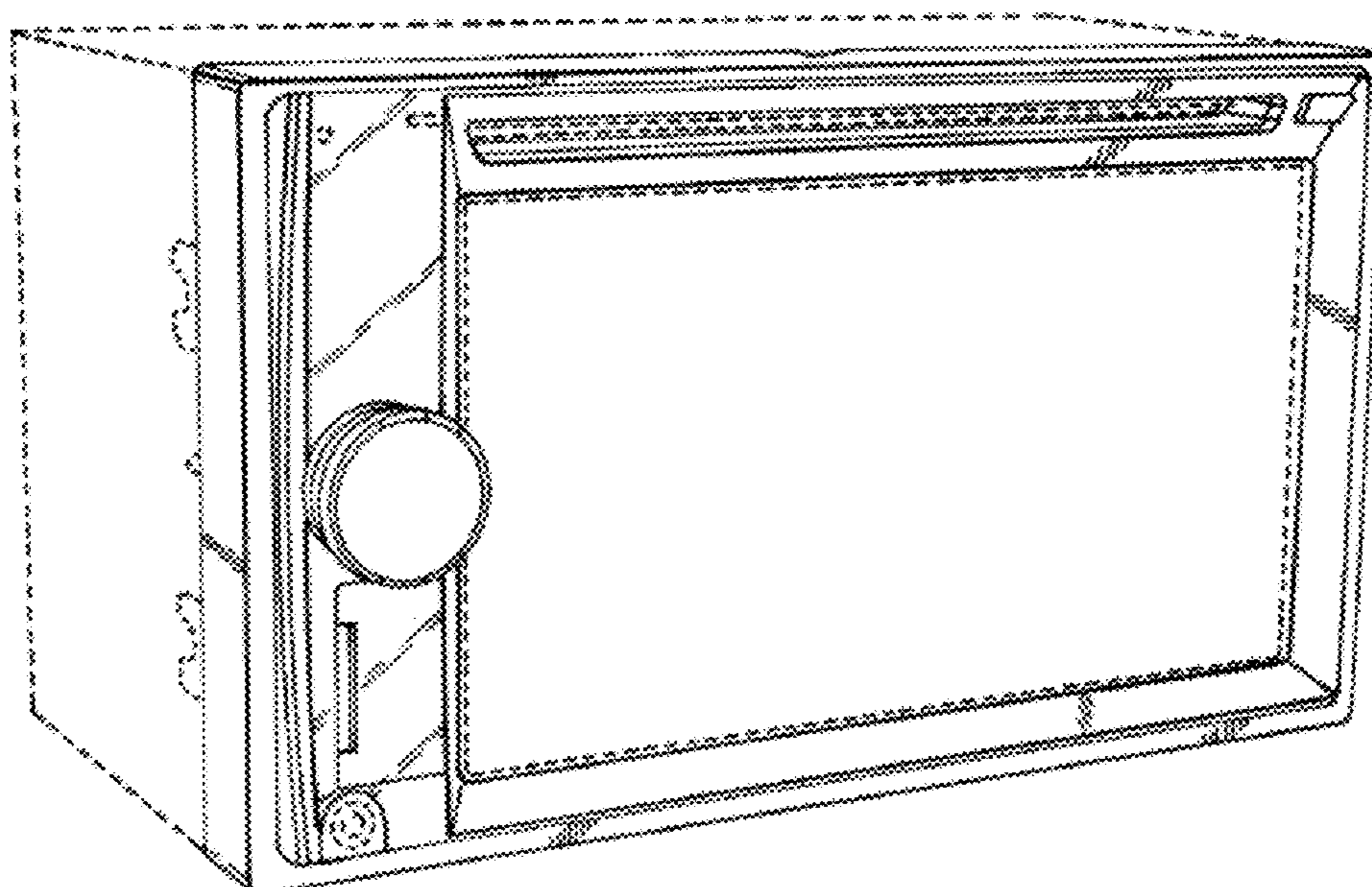
(57) **CLAIM**

The ornamental design for an in-vehicle navigation device, as shown and described.

DESCRIPTION

FIG. 1 is a front perspective view of an in-vehicle navigation device showing my new design;
FIG. 2 is a front view thereof;
FIG. 3 is a rear view thereof;
FIG. 4 is a right side view thereof;
FIG. 5 is a left side view thereof;
FIG. 6 is a top view thereof;
FIG. 7 is a bottom view thereof; and,
FIG. 8 is a front view under a powered condition having a stipple representing a color of illuminated graphic elements. The portions indicated in broken lines are for illustrative purposes only and form no part of the claimed design.

1 Claim, 5 Drawing Sheets



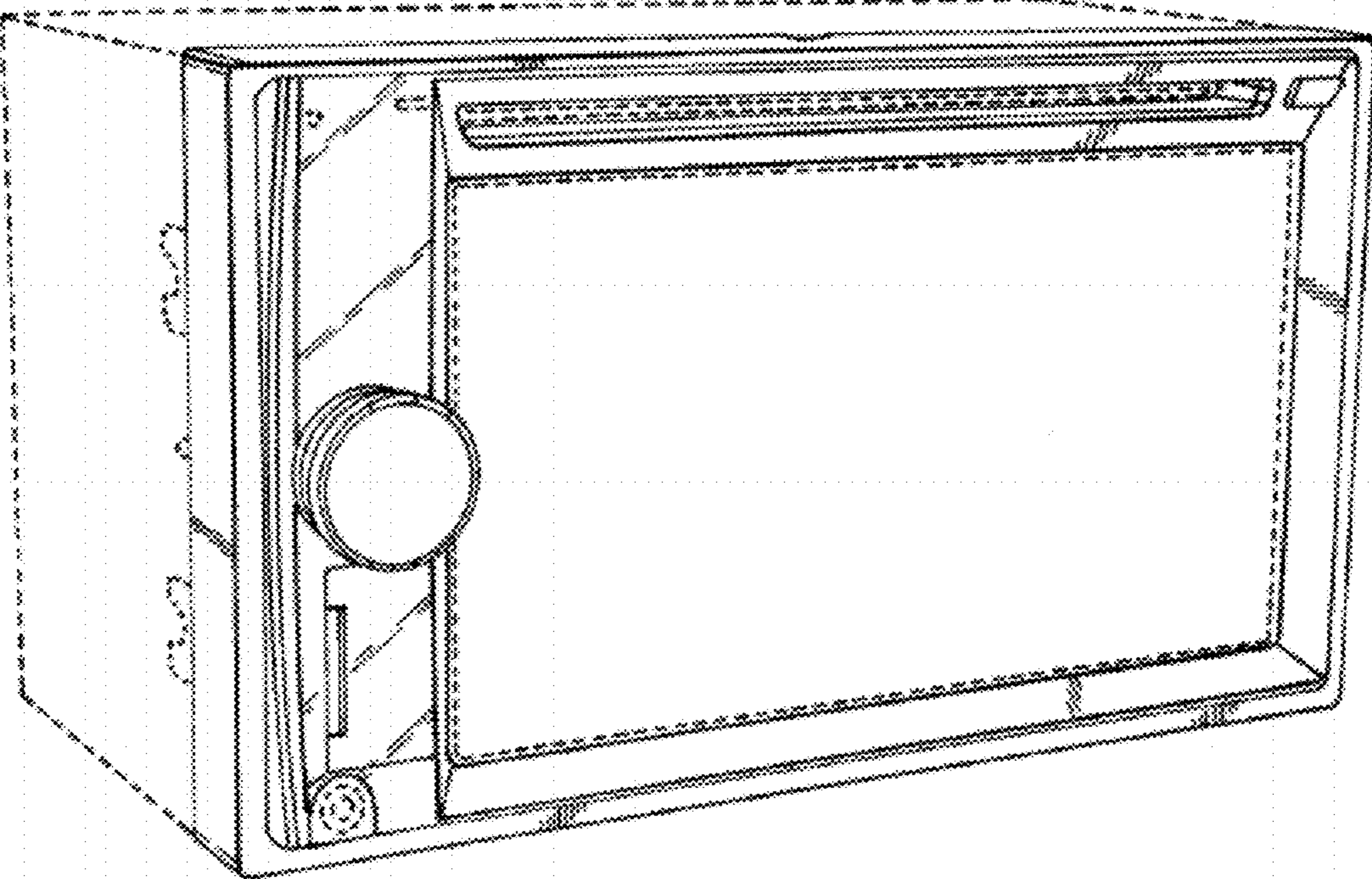


Fig. 1

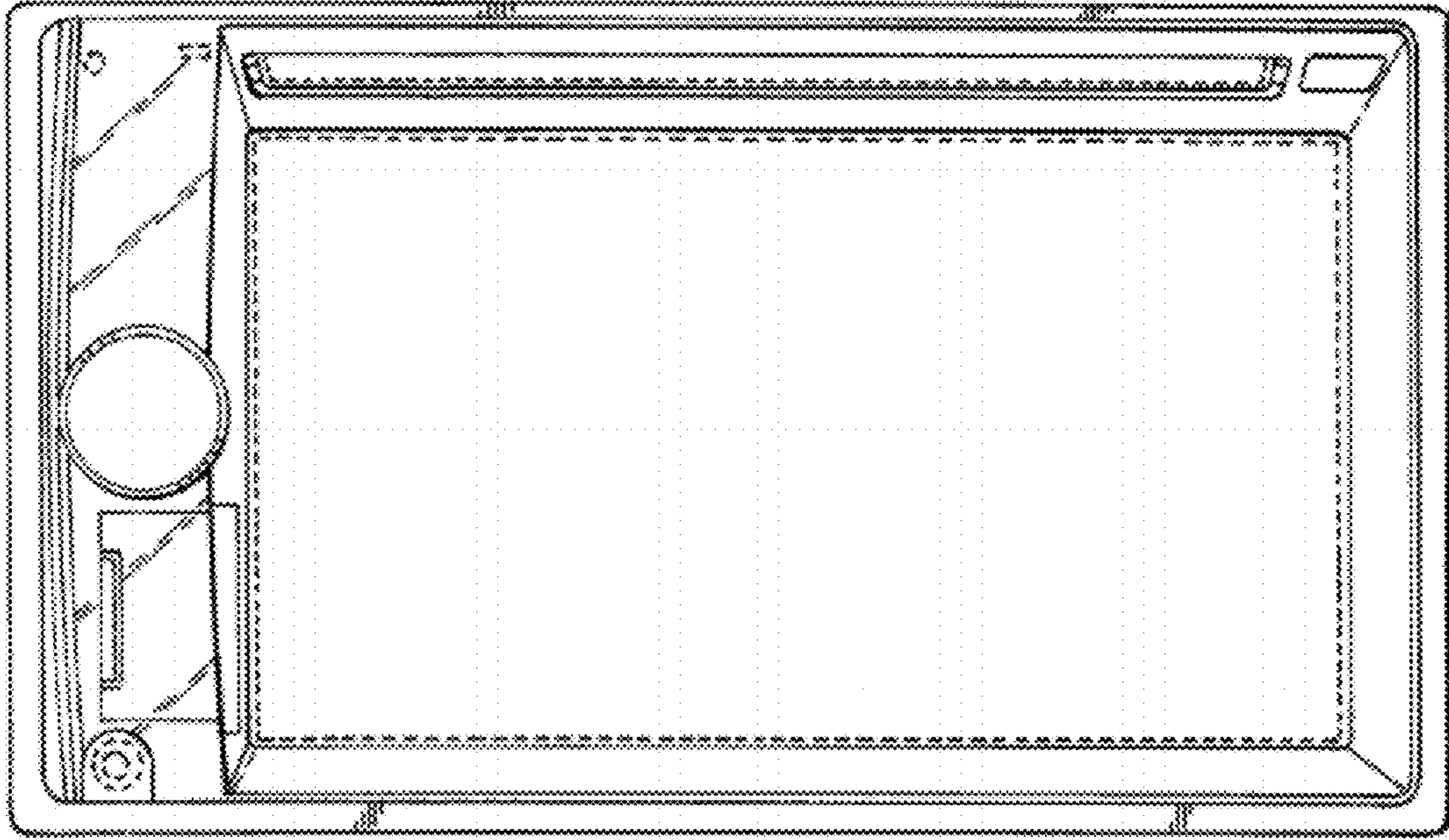


Fig. 2

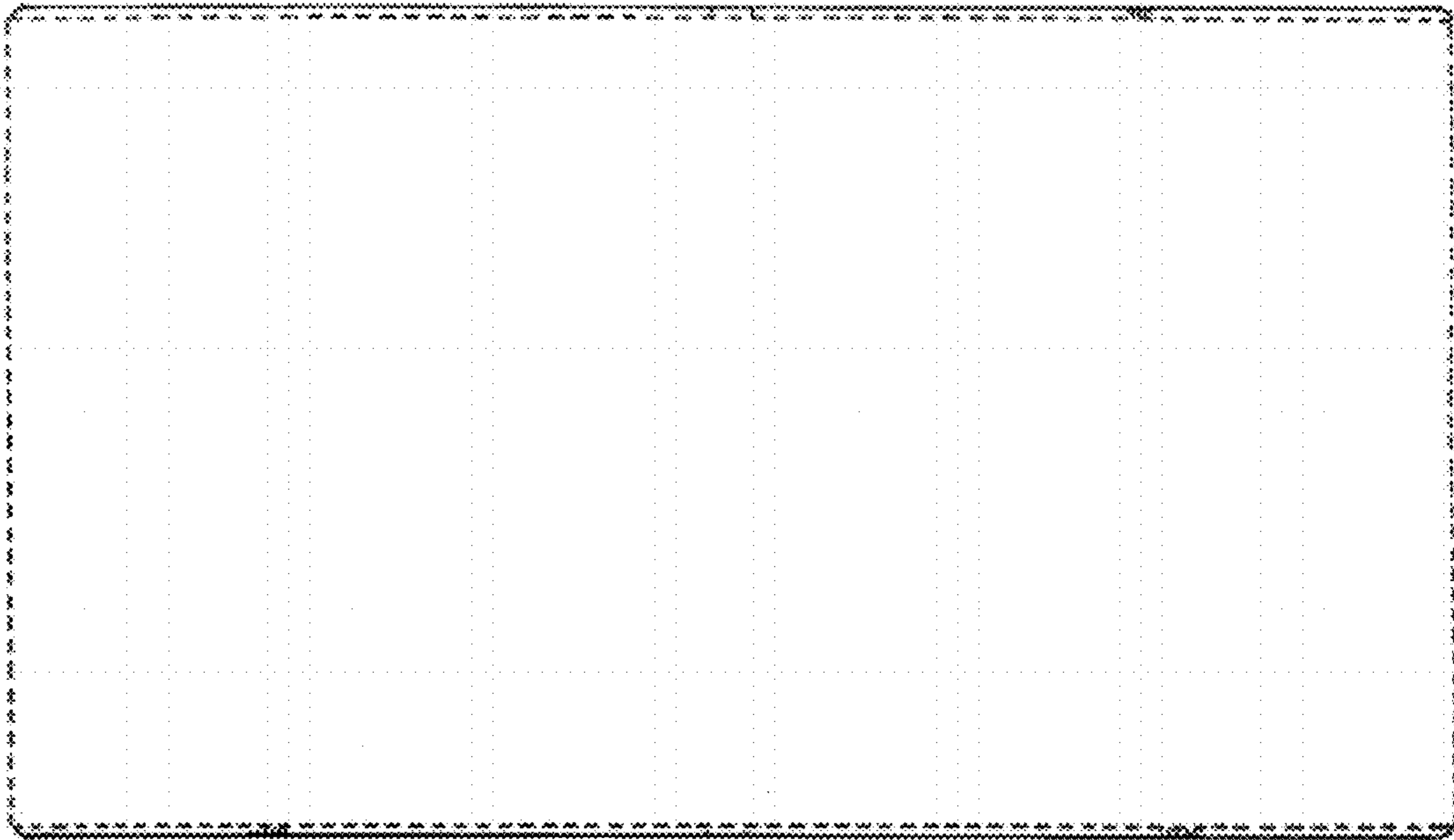


Fig. 3

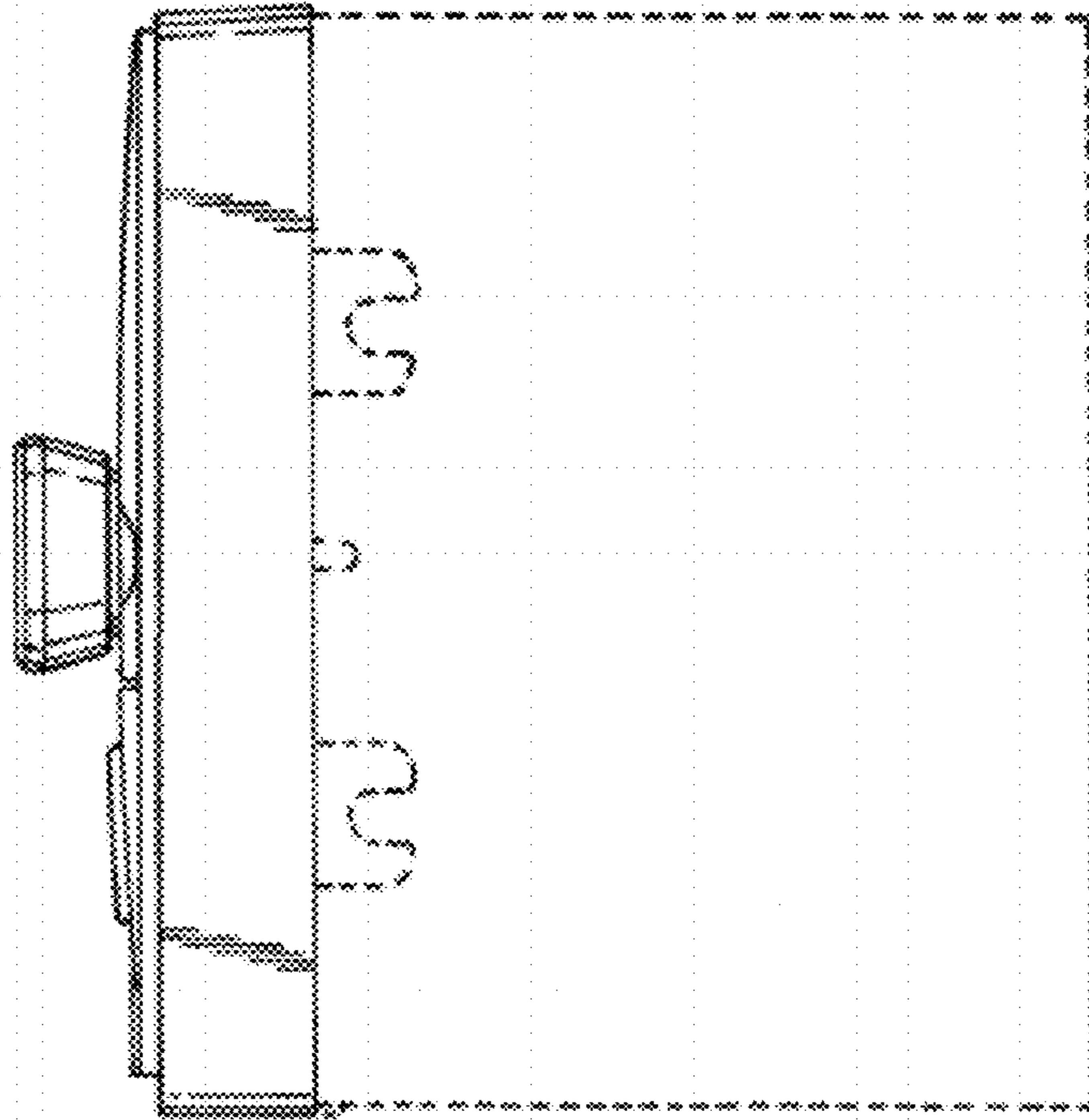


Fig. 4

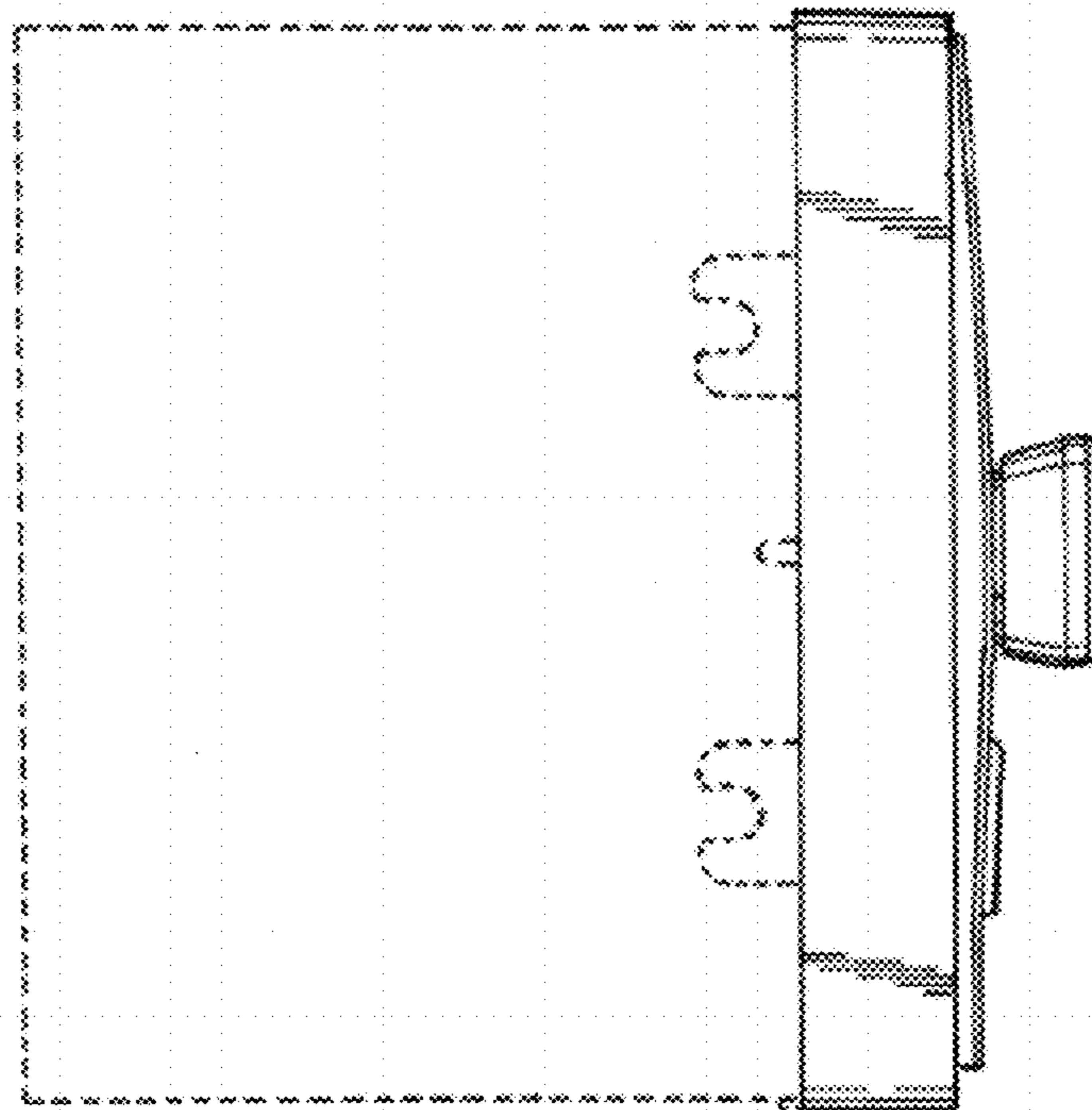


Fig. 5

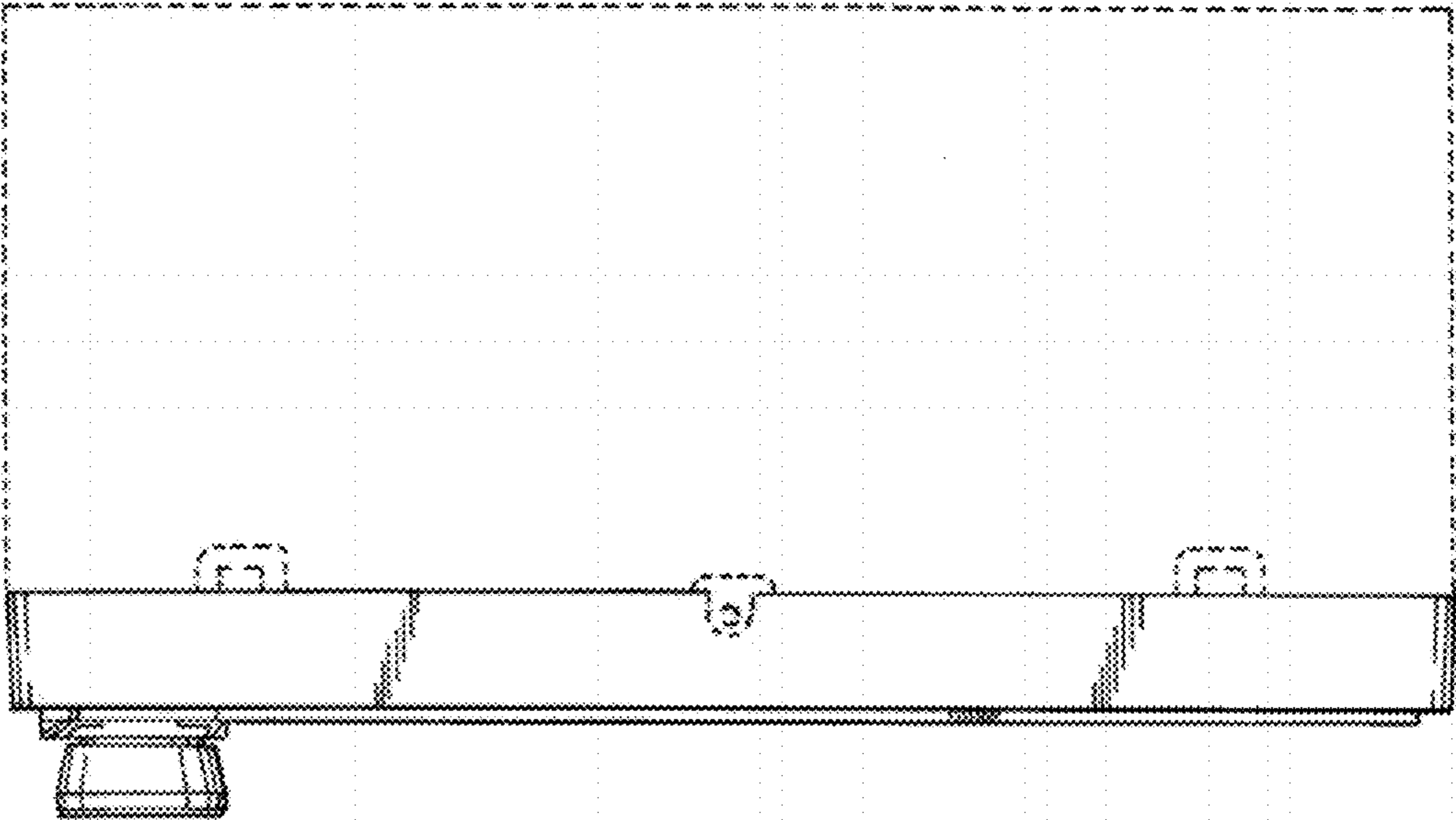


Fig. 6

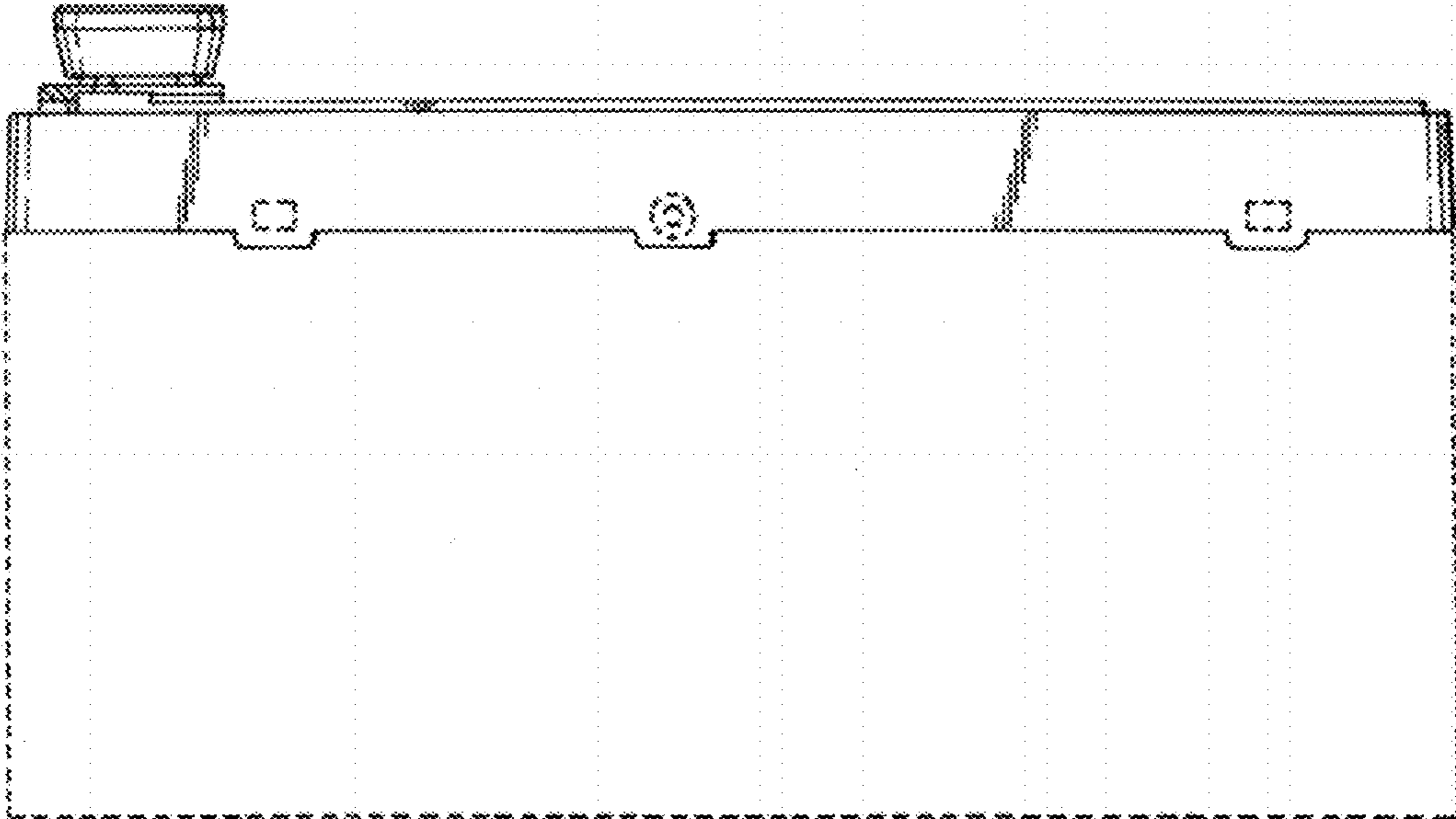


Fig. 7

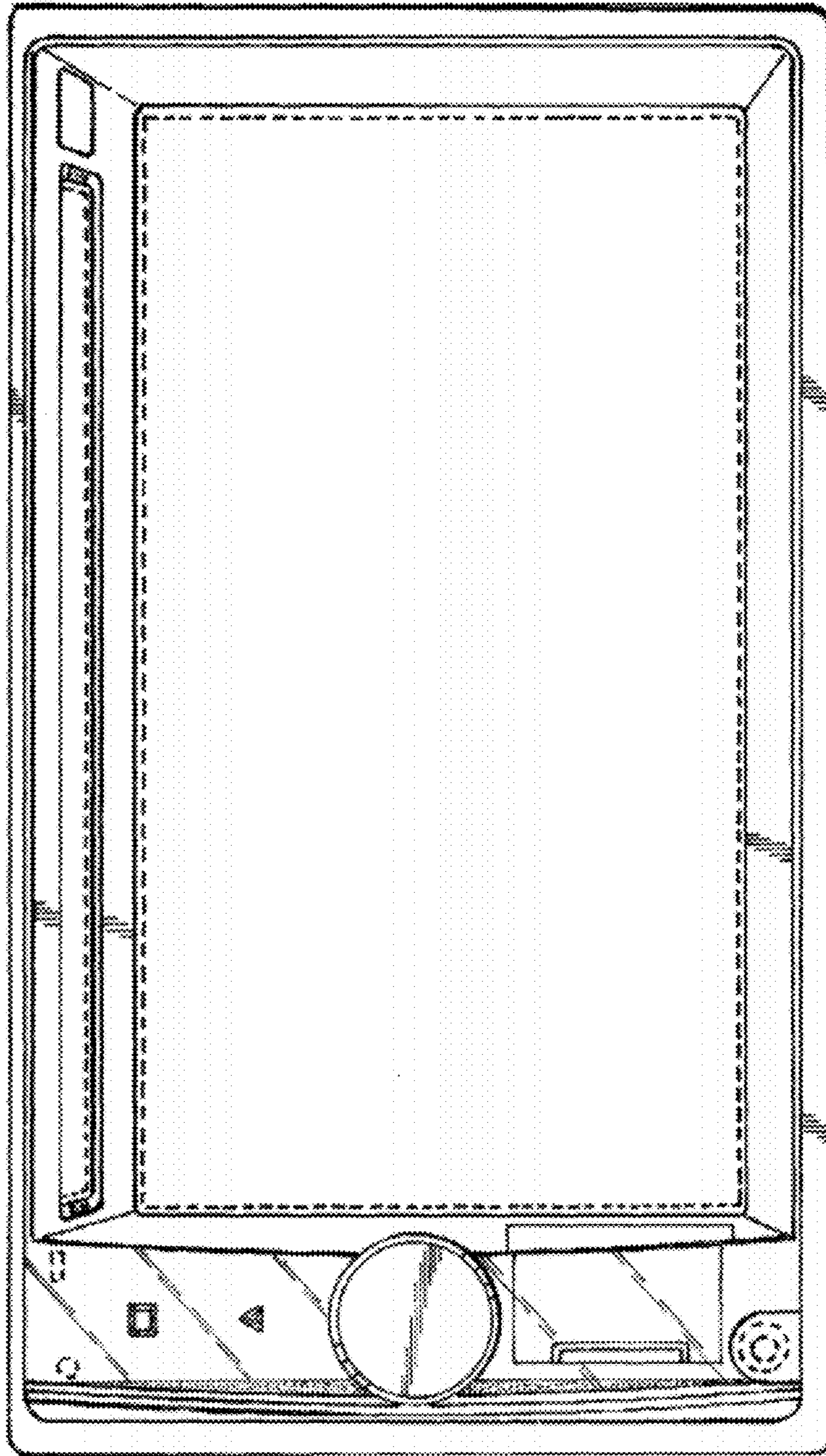


Fig. 8