



US00D673471S

(12) **United States Design Patent**
Miyawaki

(10) **Patent No.:** **US D673,471 S**
(45) **Date of Patent:** **** Jan. 1, 2013**

(54) **IN-VEHICLE NAVIGATION DEVICE**

(56) **References Cited**

(75) Inventor: **Masayuki Miyawaki**, Chigasaki (JP)

U.S. PATENT DOCUMENTS

(73) Assignee: **Clarion Co., Ltd.**, Saitama (JP)

D459,667	S	*	7/2002	Kataoka	D10/65
D565,975	S	*	4/2008	Monaco	D10/64
D582,807	S	*	12/2008	Ichikawa et al.	D10/65
D597,424	S	*	8/2009	Miyawaki	D10/65
D608,230	S	*	1/2010	Sugita	D10/65
D627,244	S	*	11/2010	Nakane et al.	D10/65
D653,132	S	*	1/2012	Shimizu	D10/65
D657,699	S	*	4/2012	Shimizu	D10/64
8,255,157	B2	*	8/2012	Harada	701/426

(**) Term: **14 Years**

(21) Appl. No.: **29/402,516**

* cited by examiner

(22) Filed: **Sep. 23, 2011**

(30) **Foreign Application Priority Data**

Primary Examiner — Antoine D Davis

Jun. 6, 2011 (JP) 2011-012773

(74) *Attorney, Agent, or Firm* — Scully, Scott, Murphy & Presser, P.C.

(51) **LOC (9) Cl.** **10-04**

(57) **CLAIM**

The ornamental design for an in-vehicle navigation device, as shown and described.

(52) **U.S. Cl.** **D10/65; D10/70**

DESCRIPTION

(58) **Field of Classification Search** D10/65,

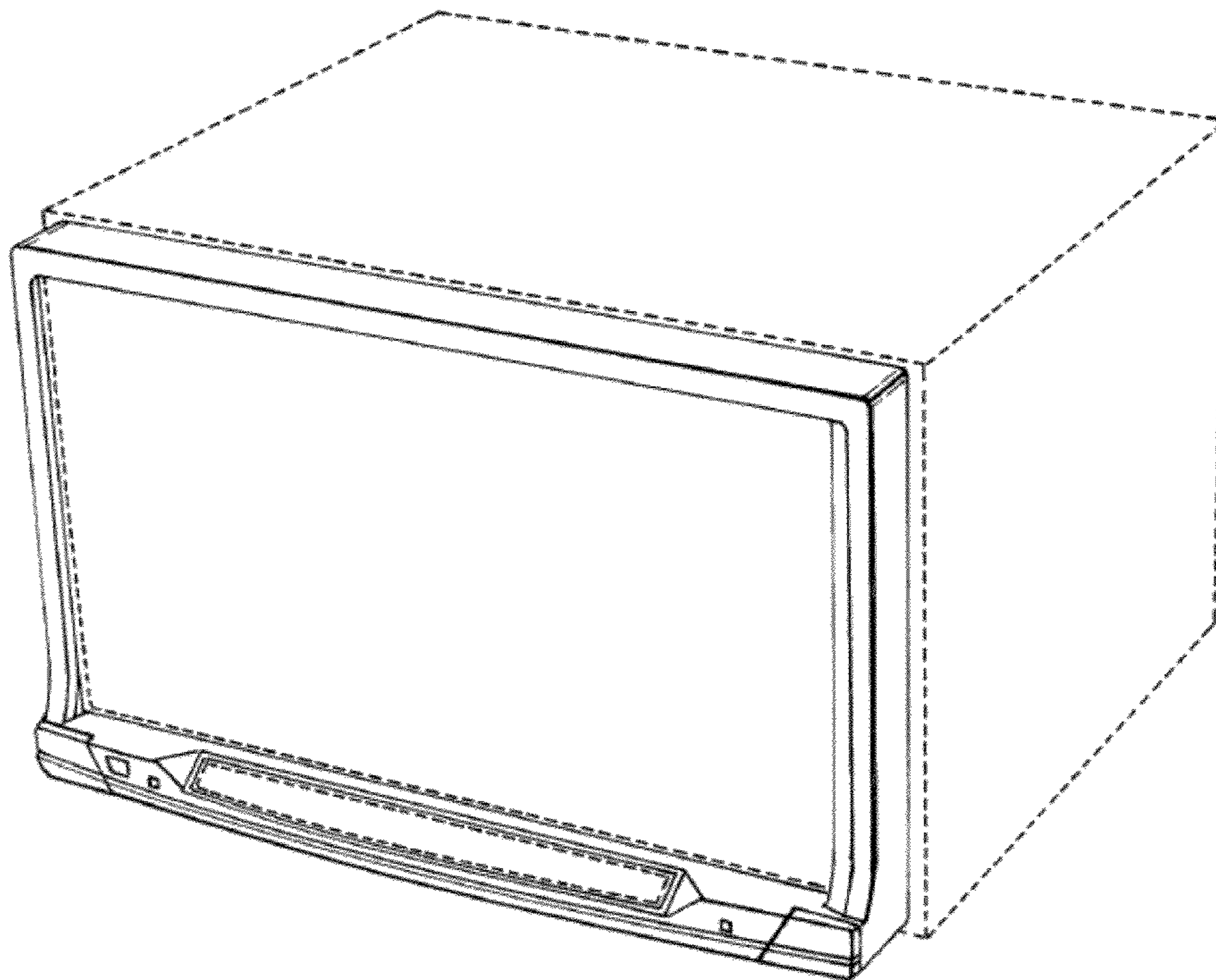
D10/70, 75, 76; D14/347, 136, 167, 168,
D14/496, 498, 499, 500, 125–134, 239, 371,
D14/374–377, 440, 450, 448, 336, 342; 342/351,
342/419, 457, 357.06–357.16; 343/702;
345/87, 104, 133, 156, 168, 173, 901–905;
348/180, 184, 315, 739, 836, 838, 325; 364/444,
364/499; 701/23–28, 400, 408, 409, 468–491,
701/526; 312/7.2; 341/12; 720/605, 669,
720/600, 655; 369/99, 197; 455/344, 347

FIG. 1 is a right front perspective view of an in-vehicle navigation device showing my new design;
FIG. 2 is a left front perspective view thereof;
FIG. 3 is a front view thereof;
FIG. 4 is a rear view thereof;
FIG. 5 is a right side view thereof;
FIG. 6 is a left side view thereof;
FIG. 7 is a top view thereof; and
FIG. 8 is a bottom view thereof.

The portions indicated in broken lines are for illustrative purposes only and form no part of the claimed design.

See application file for complete search history.

1 Claim, 6 Drawing Sheets



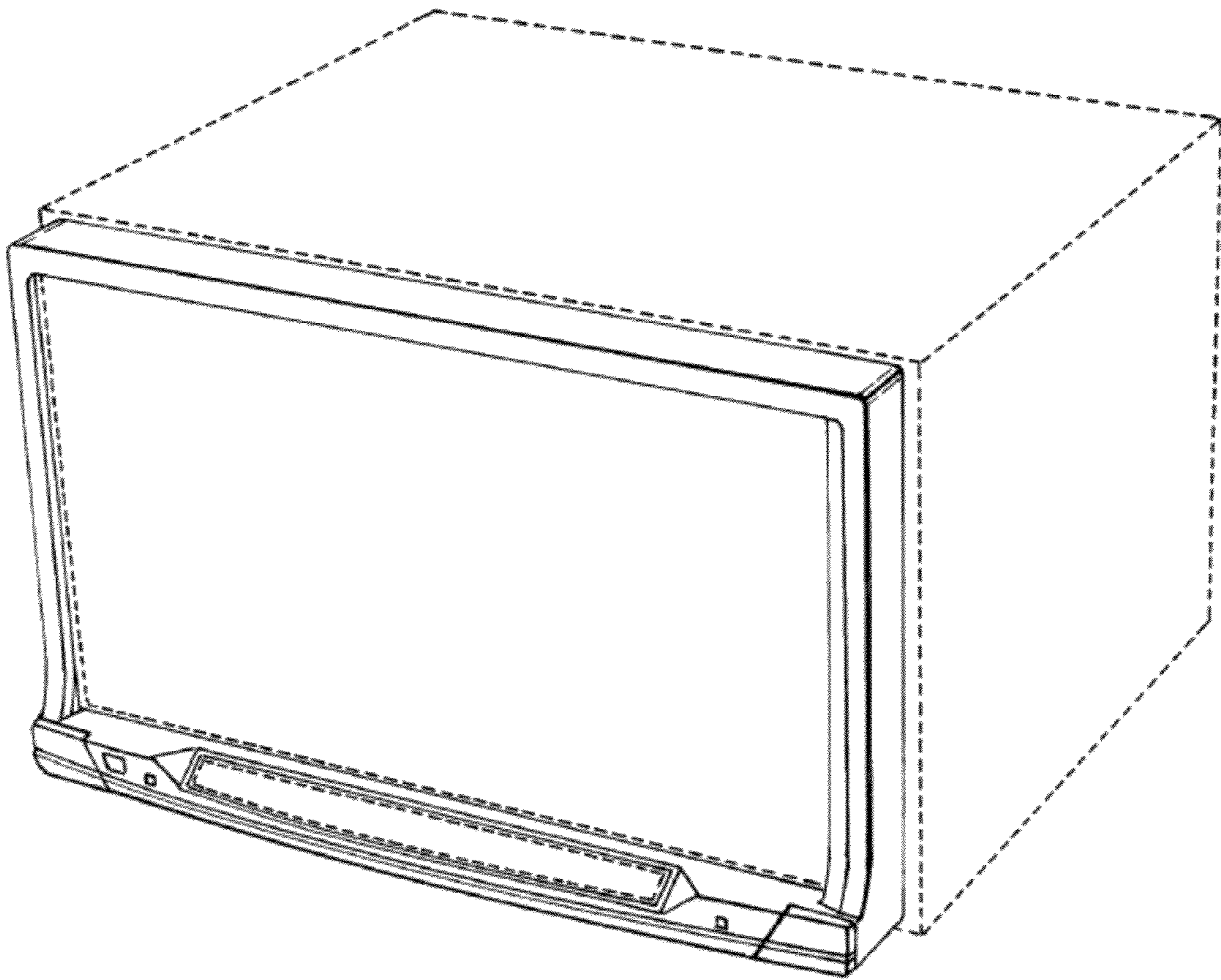


Fig. 1

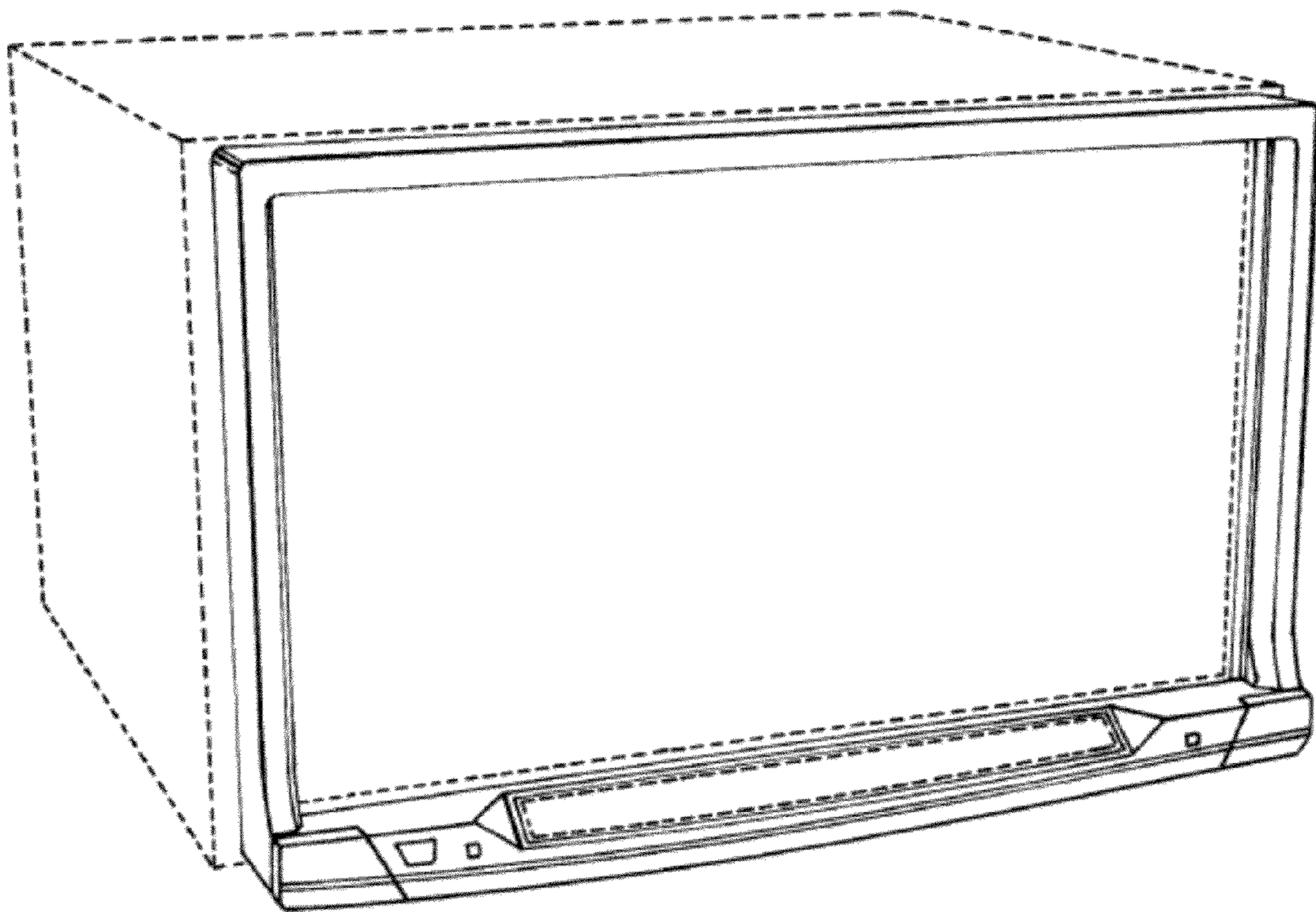


Fig. 2

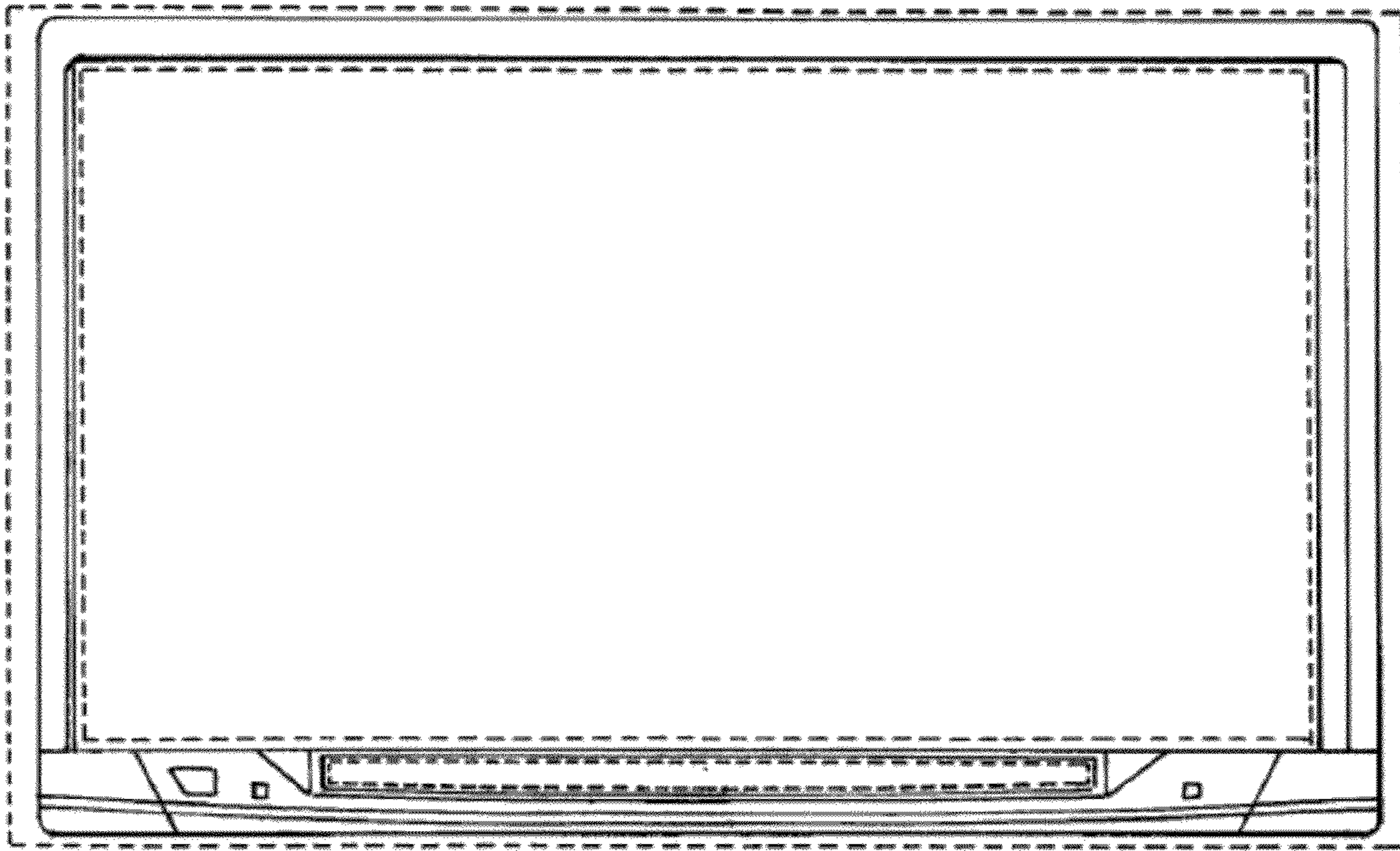


Fig. 3

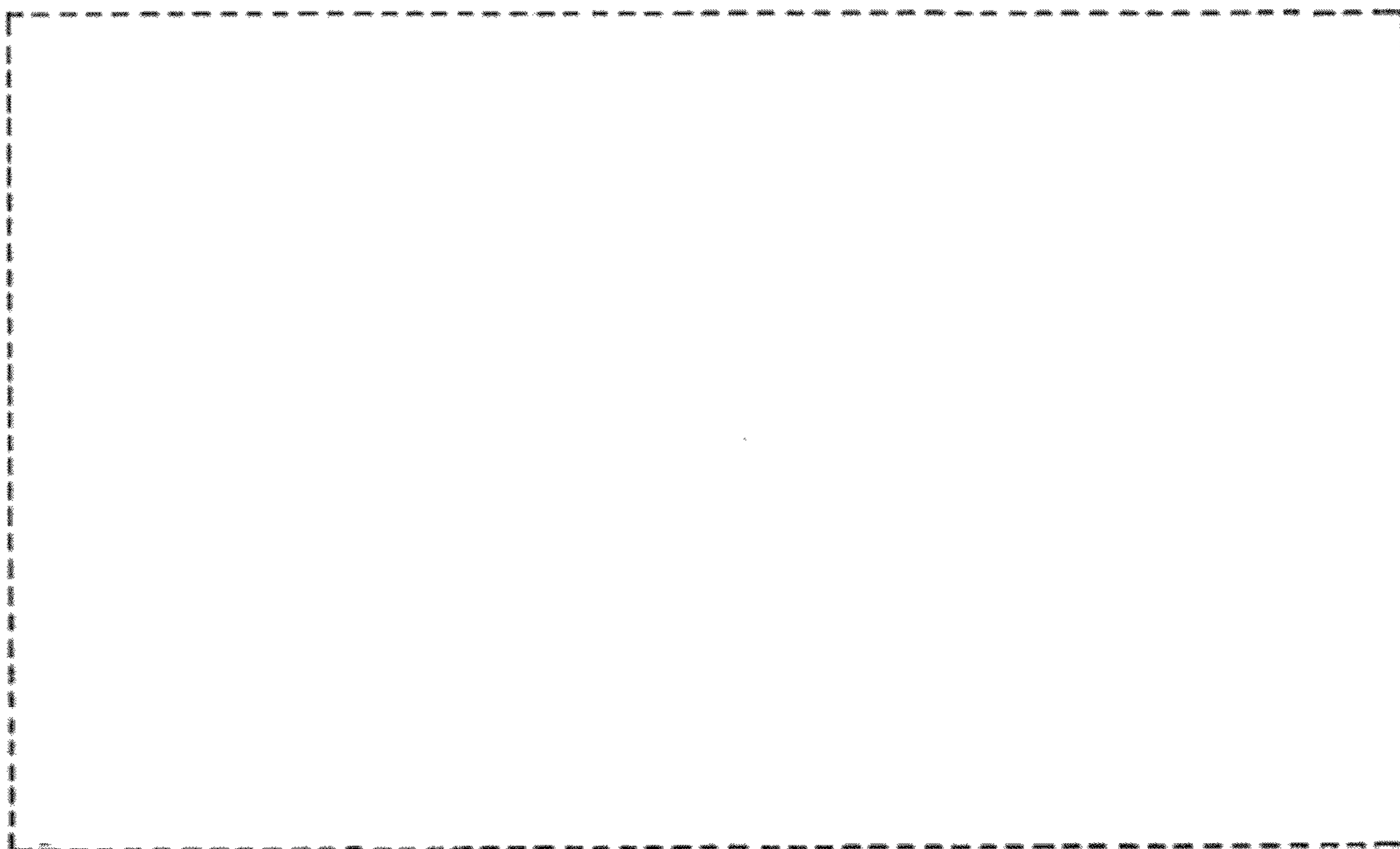


Fig. 4

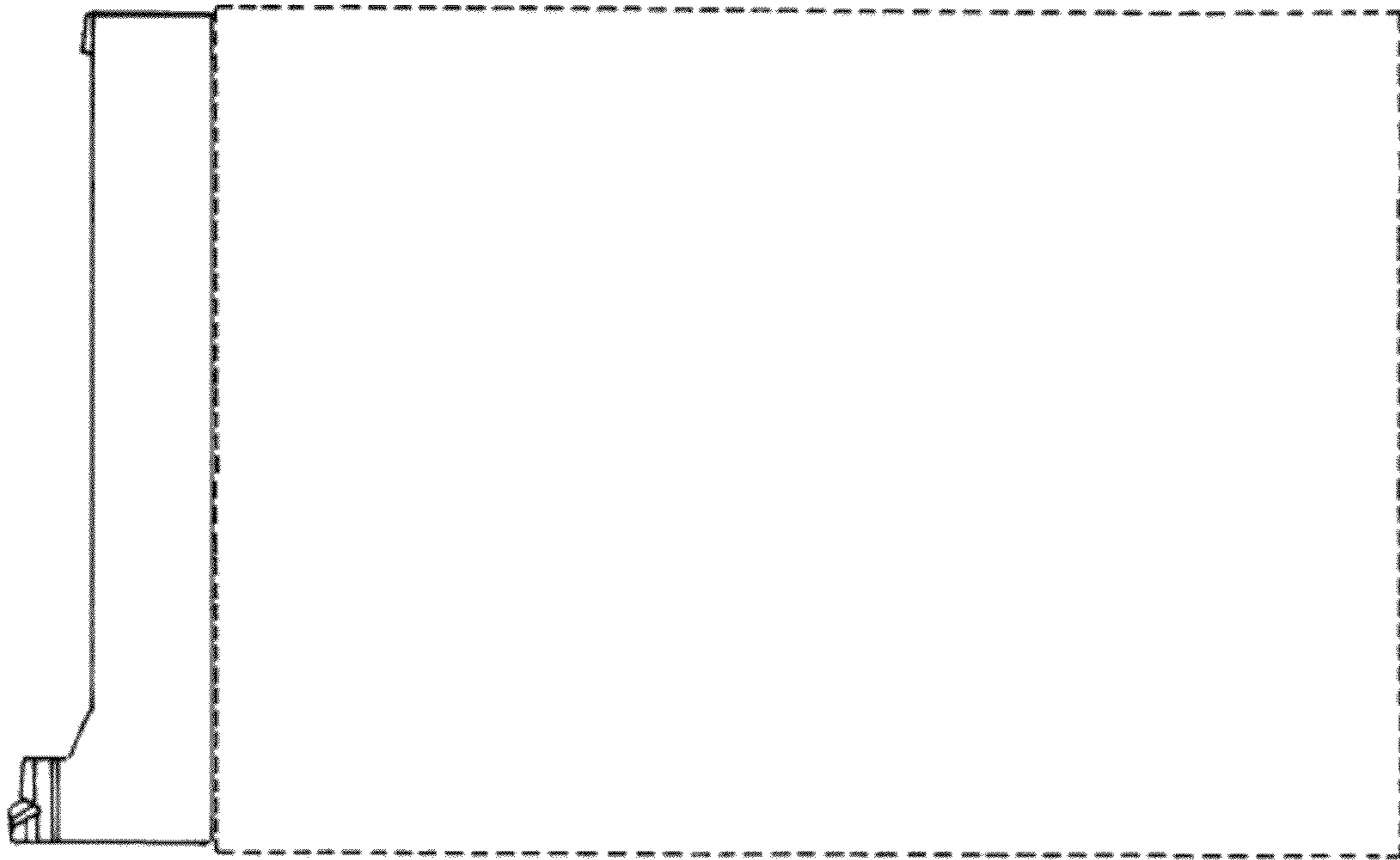


Fig. 5



Fig. 6

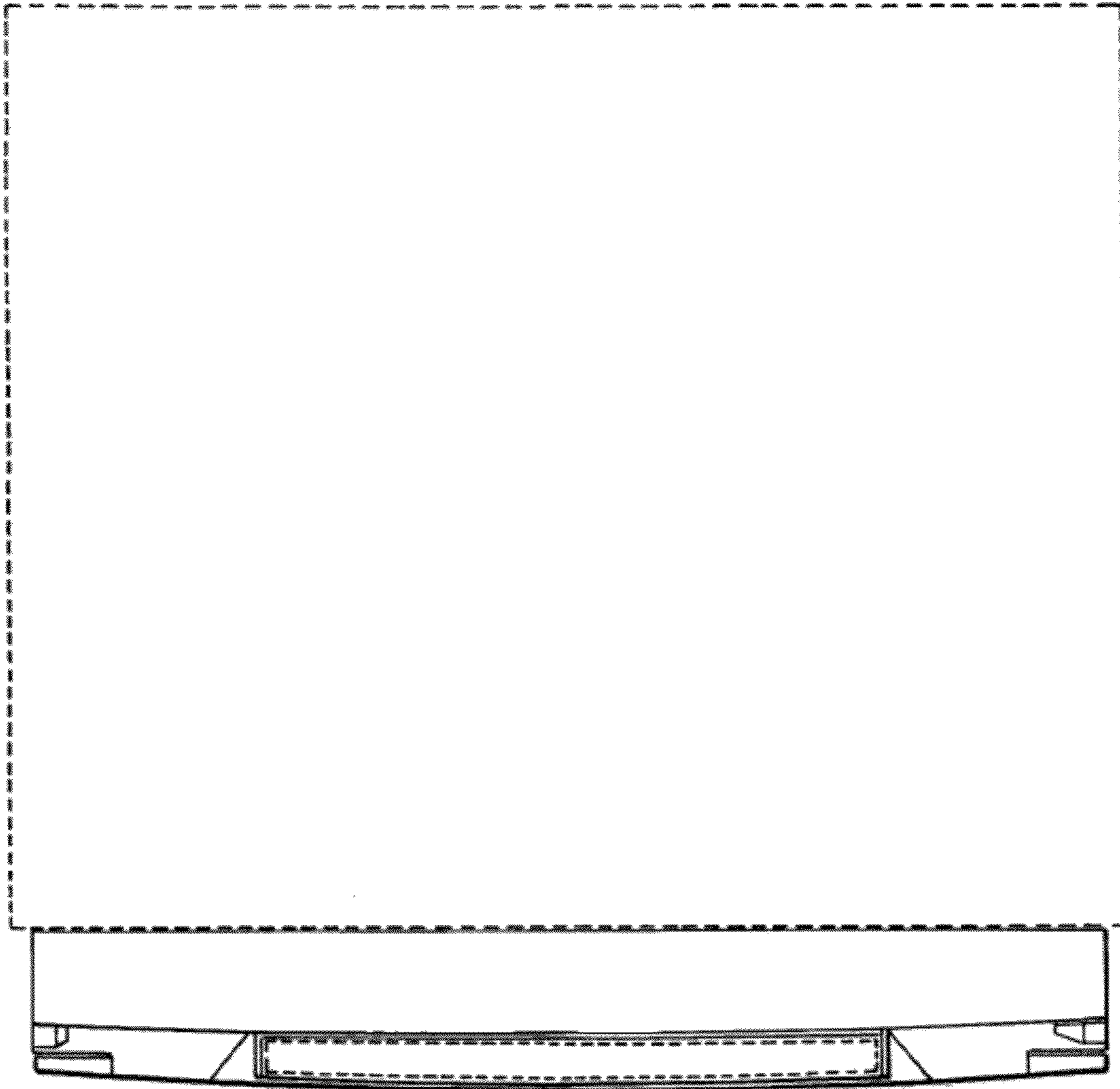


Fig. 7

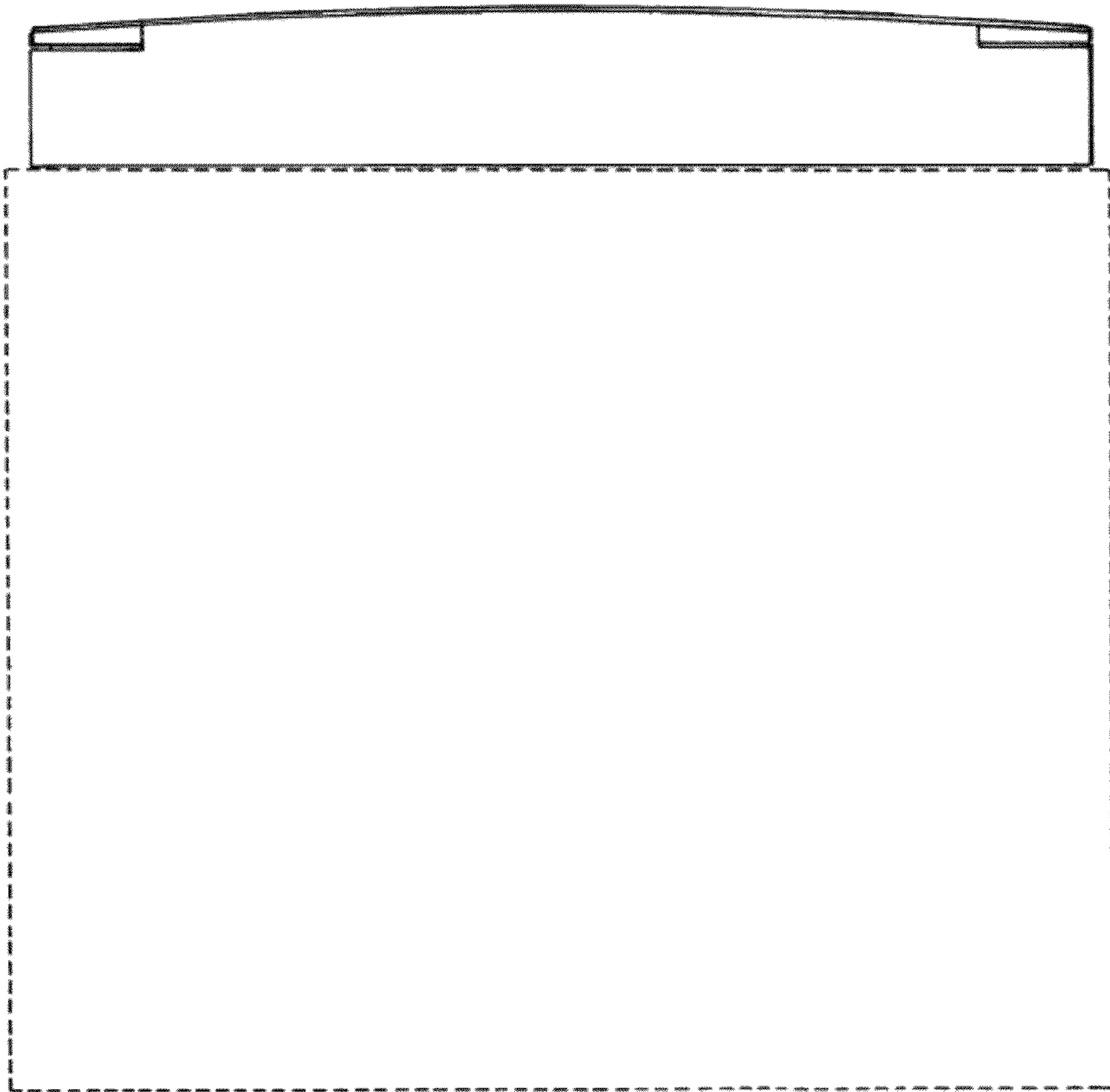


Fig. 8