



US00D673467S

(12) **United States Design Patent**  
**Lee et al.**

(10) **Patent No.:** **US D673,467 S**  
(45) **Date of Patent:** **\*\* Jan. 1, 2013**

(54) **CONTROLLER FOR AIR CONDITIONER**  
(75) Inventors: **Sangyoon Lee**, Seoul (KR); **Chinsoo Hyon**, Seoul (KR); **Hyunjin Lim**, Seoul (KR); **Inhyeuk Choi**, Seoul (KR)  
(73) Assignee: **LG Electronics Inc.**, Seoul (KR)  
(\*\*) Term: **14 Years**

D611,918 S \* 3/2010 Shih et al. .... D14/126  
D622,621 S \* 8/2010 Choi et al. .... D10/50  
D642,081 S \* 7/2011 Kashimoto .... D10/49  
D648,641 S \* 11/2011 Wallaert et al. .... D10/50  
D648,691 S \* 11/2011 Tierney et al. .... D14/126  
D649,073 S \* 11/2011 Baskinger et al. .... D10/60  
D658,614 S \* 5/2012 Inoue .... D14/126  
D659,560 S \* 5/2012 Rhodes .... D10/50  
D661,268 S \* 6/2012 Itou et al. .... D14/126

(21) Appl. No.: **29/409,712**  
(22) Filed: **Dec. 28, 2011**

\* cited by examiner

*Primary Examiner* — Brian N Vinson  
(74) *Attorney, Agent, or Firm* — Morgan, Lewis & Bockius LLP

(30) **Foreign Application Priority Data**  
Jul. 4, 2011 (KR) ..... 30-2011-0027534  
(51) **LOC (9) Cl.** ..... **10-01**  
(52) **U.S. Cl.** ..... **D10/50**  
(58) **Field of Classification Search** ..... D10/46,  
D10/49, 50; 236/5, 46 R-46 F, 47, 49.3,  
236/51, 84, 94; 340/7.21-7.24, 7.32, 825.6,  
340/825.72, 539.1, 539.11, 539.14, 539.21,  
340/539.26, 426.21, 584, 589, 870.17; 374/167;  
400/485; 455/420, 226.1; D13/123, 184,  
D13/162; D14/125, 126  
See application file for complete search history.

(56) **References Cited**  
U.S. PATENT DOCUMENTS  
D572,217 S \* 7/2008 Shih ..... D14/126  
D592,982 S \* 5/2009 Burt et al. .... D10/50

(57) **CLAIM**  
The ornamental design for a controller for air conditioner, as shown and described.

**DESCRIPTION**  
FIG. 1 is a front, right side, perspective view of a controller for air conditioner showing our new design;  
FIG. 2 is a front view thereof;  
FIG. 3 is a rear view thereof;  
FIG. 4 is a left side view thereof;  
FIG. 5 is a right side view thereof;  
FIG. 6 is a top view thereof; and,  
FIG. 7 is a bottom view thereof.

**1 Claim, 7 Drawing Sheets**

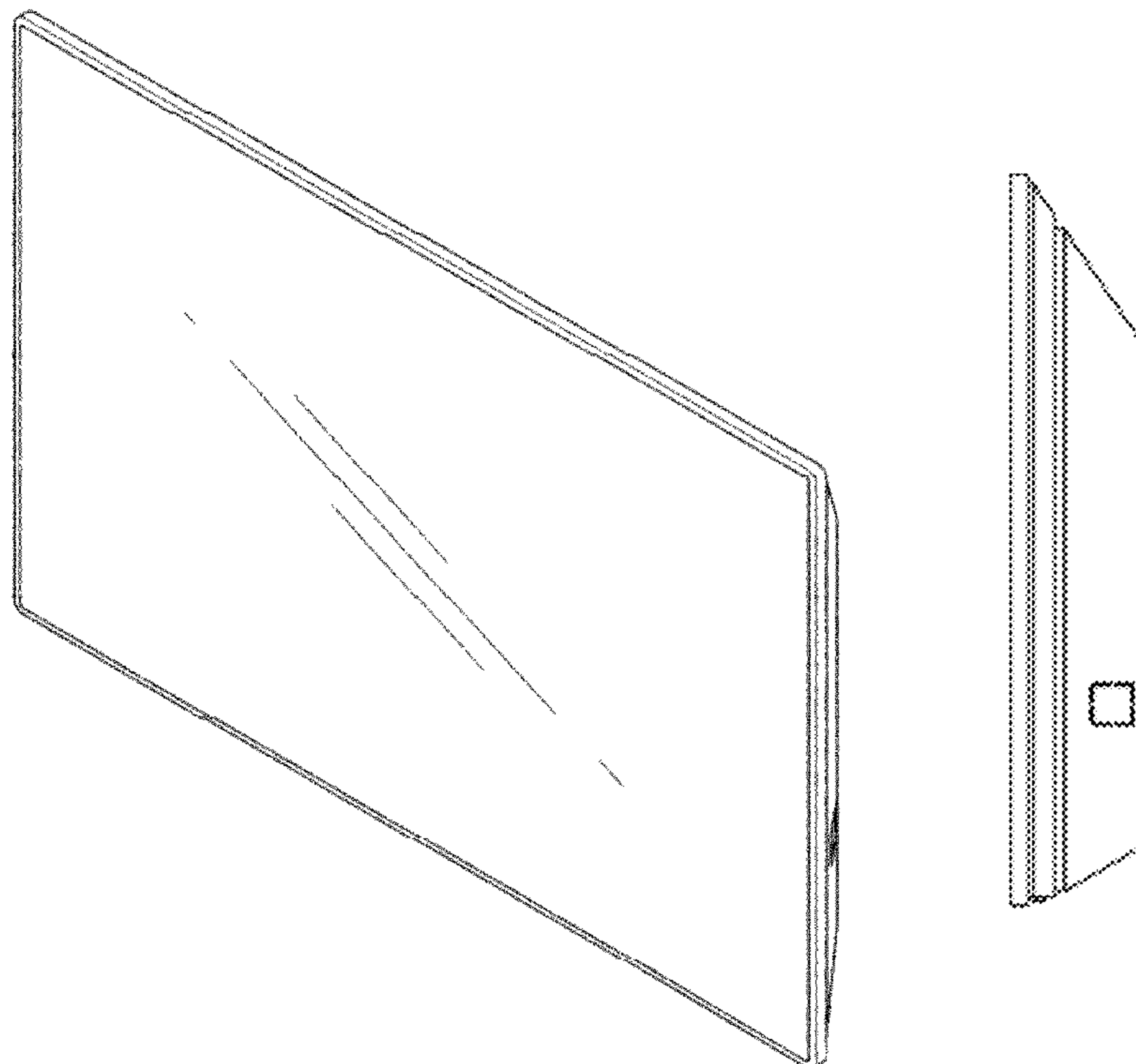


FIG. 1

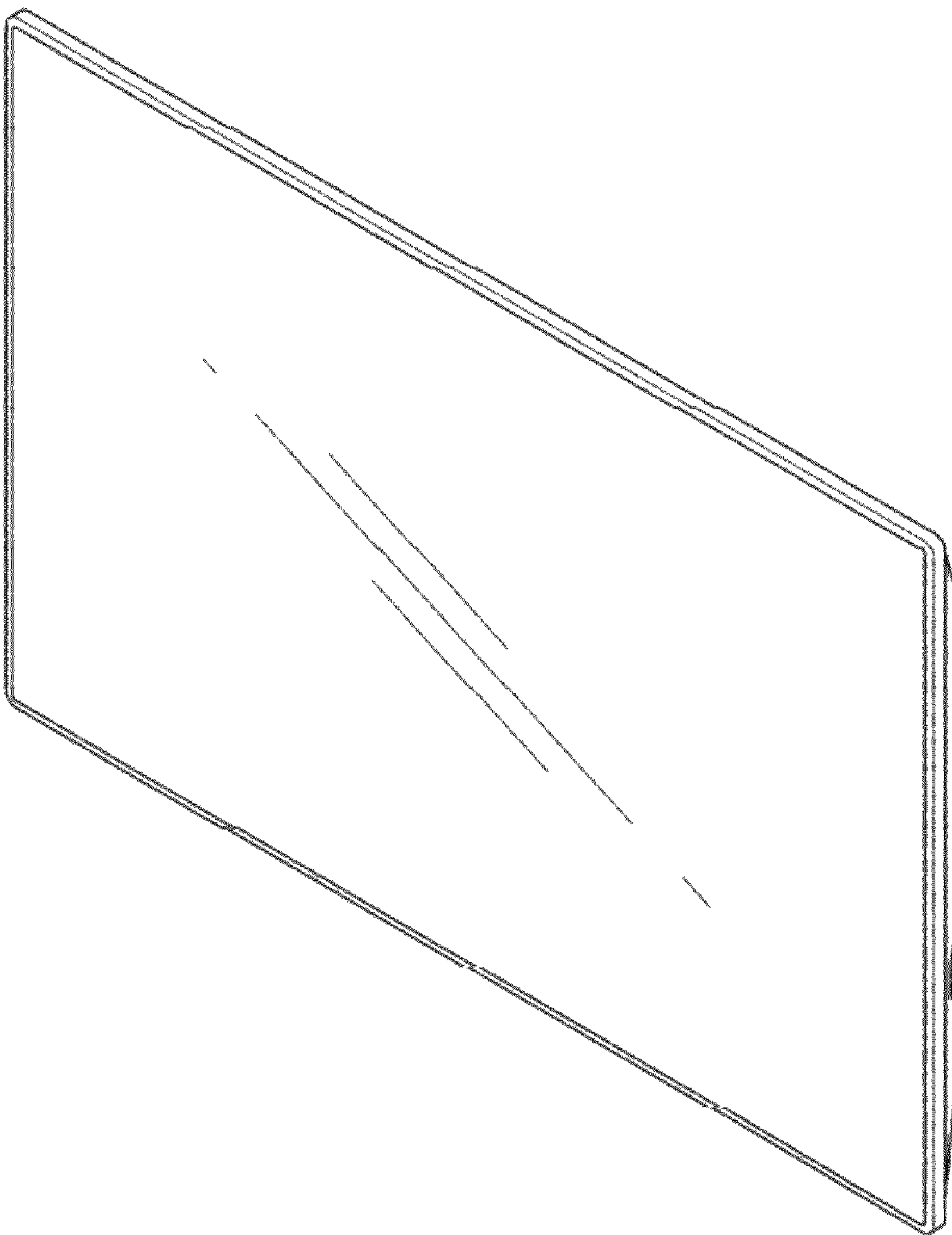


FIG. 2

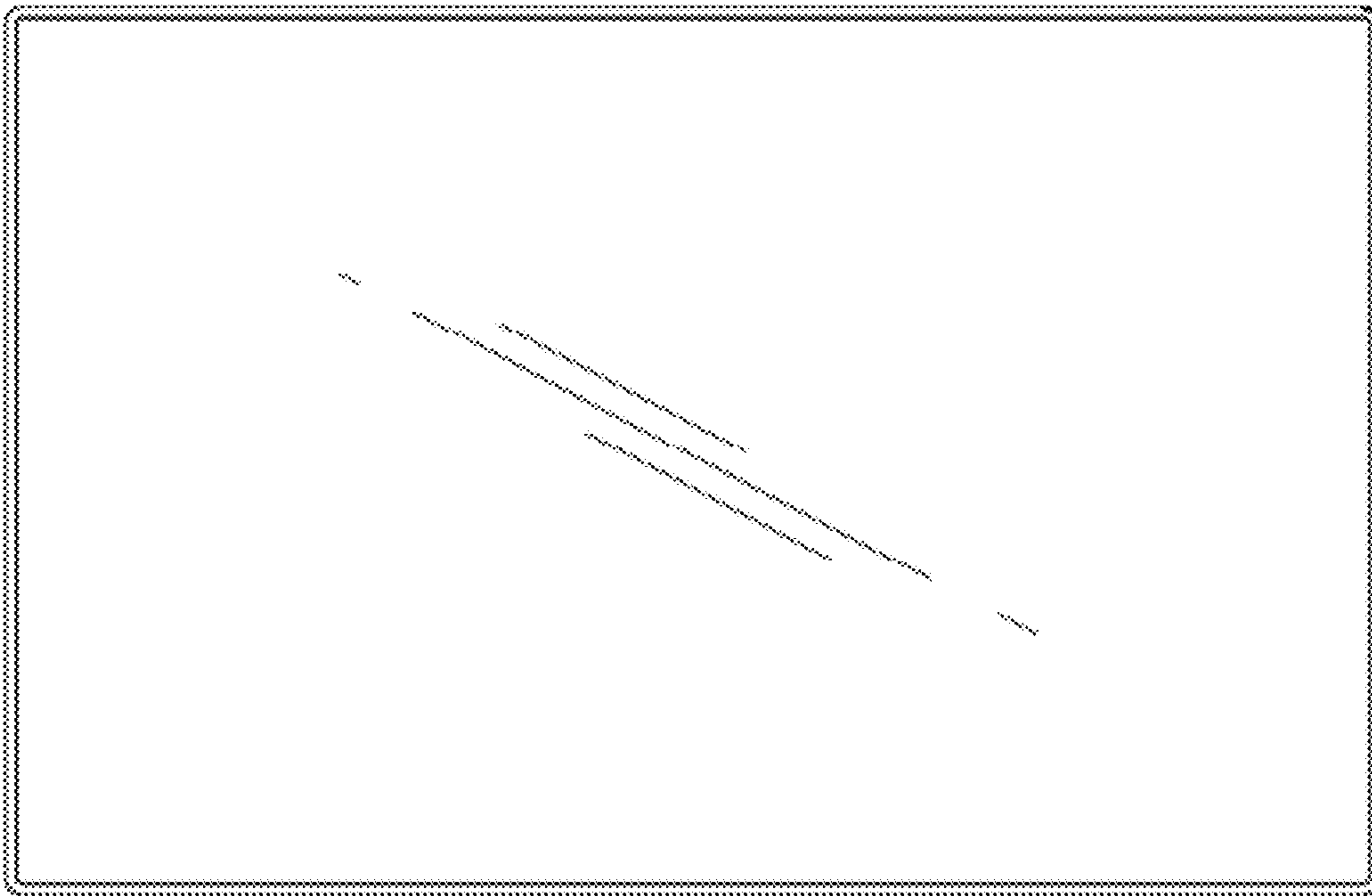


FIG. 3

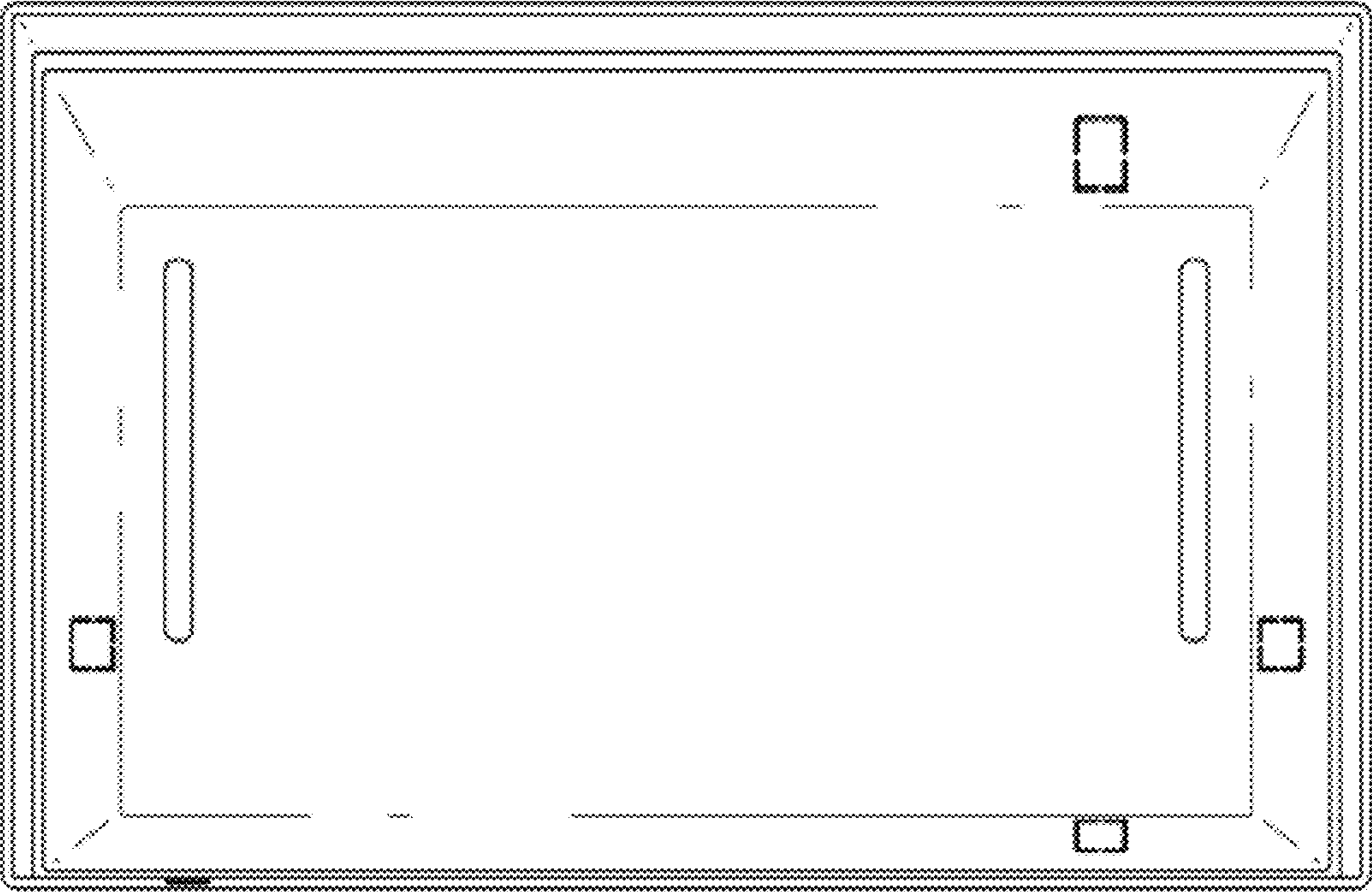
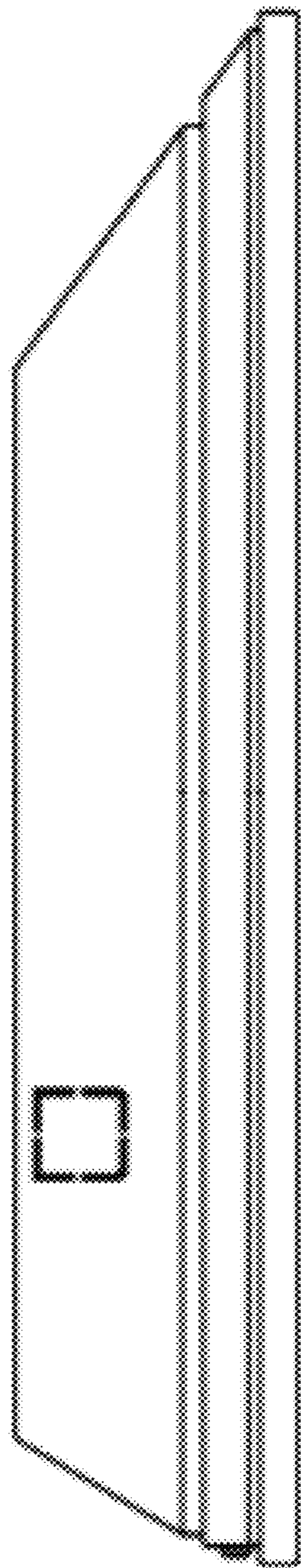


FIG. 4



# FIG. 5

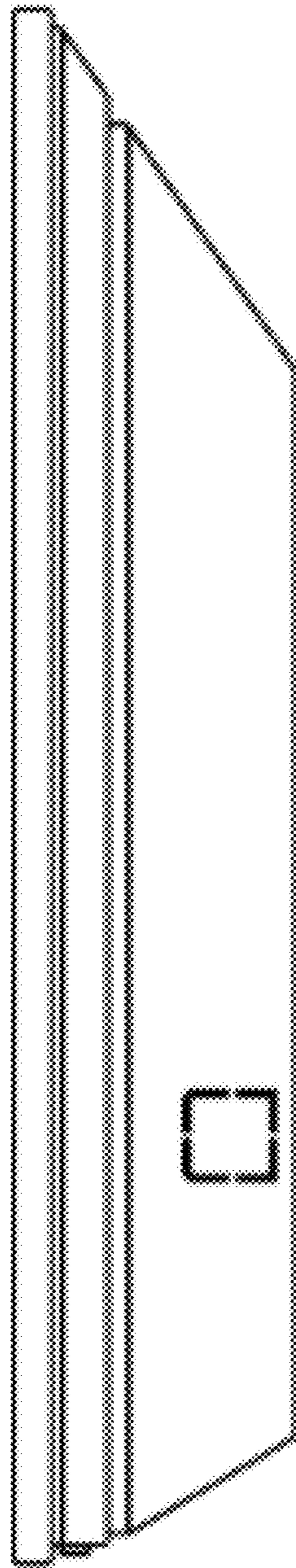


FIG. 6

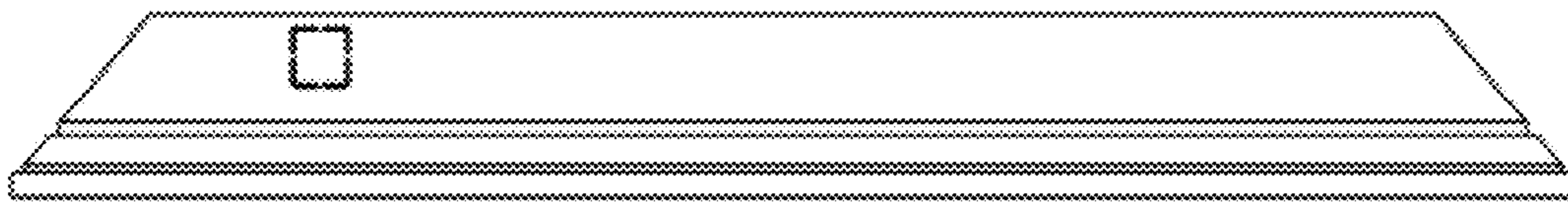


FIG. 7

