



US00D673459S

(12) **United States Design Patent**
Moran, Sr.

(10) **Patent No.:** **US D673,459 S**
(45) **Date of Patent:** **** Jan. 1, 2013**

(54) **LIQUID FLASK**

(75) Inventor: **Jorge Eugenio Moran, Sr.**, Nashville, TN (US)

(73) Assignee: **Megatrade International, Inc.**, Nashville, TN (US)

(**) Term: **14 Years**

(21) Appl. No.: **29/382,227**

(22) Filed: **Dec. 30, 2010**

(51) **LOC (9) Cl.** **07-01**

(52) **U.S. Cl.** **D9/608**

(58) **Field of Classification Search** D7/509,
D7/510, 511, 512, 523, 300, 300.1, 601, 602,
D7/605, 608, 619.1, 629, 630, 396.2; D9/715,
D9/716, 529; D3/201, 202; 215/386, 398,
215/396; 220/592.16, 592.17, 592.2, 592.21,
220/495.03

See application file for complete search history.

(56) **References Cited**

U.S. PATENT DOCUMENTS

2,808,167	A *	10/1957	Polazzolo	215/13.1
2,837,232	A *	6/1958	Rossi	215/13.1
2,981,562	A *	4/1961	Long	294/31.2
3,356,243	A *	12/1967	Piker	215/13.1
D262,856	S *	2/1982	MacTavish et al.	D7/320
D360,113	S *	7/1995	Takahashi	D7/608
D379,743	S *	6/1997	Enomoto et al.	D7/608
D395,203	S	6/1998	Moran		
D395,793	S	7/1998	Moran		
D395,794	S	7/1998	Moran		
D406,014	S	2/1999	Moran		
D407,273	S	3/1999	Moran		
D410,175	S	5/1999	Moran		
D411,717	S	6/1999	Moran		
D415,936	S	11/1999	Moran		
D422,455	S *	4/2000	Kato	D7/608
D437,528	S	2/2001	Kitamura et al.		
6,332,557	B1	12/2001	Moran		

(Continued)

FOREIGN PATENT DOCUMENTS

FR 2866324 8/2005

Primary Examiner — Elizabeth J Oswecki

(74) *Attorney, Agent, or Firm* — LeClairRyan, a Professional Corporation

(57) **CLAIM**

I claim the ornamental design for a liquid flask, as shown and described.

DESCRIPTION

FIG. 1 is a perspective view of a first embodiment of a liquid flask showing my new design;

FIG. 2 is a side elevation view thereof;

FIG. 3 is a second side elevation view thereof;

FIG. 4 is a third side elevation view thereof;

FIG. 5 is a fourth side elevation view thereof;

FIG. 6 is a top plan view thereof;

FIG. 7 is a bottom plan view thereof;

FIG. 8 is an exploded perspective view thereof with an outer lid removed;

FIG. 9 is an exploded perspective view thereof with an outer lid and an inner cup removed;

FIG. 10 is an exploded perspective view thereof, lacking the inner cup and with an outer lid removed;

FIG. 11 is a perspective view of a second embodiment of a liquid flask showing my new design;

FIG. 12 is a side elevation view thereof;

FIG. 13 is a second side elevation view thereof;

FIG. 14 is a third side elevation view thereof;

FIG. 15 is a fourth side elevation view thereof;

FIG. 16 is a top plan view thereof;

FIG. 17 is a bottom plan view thereof;

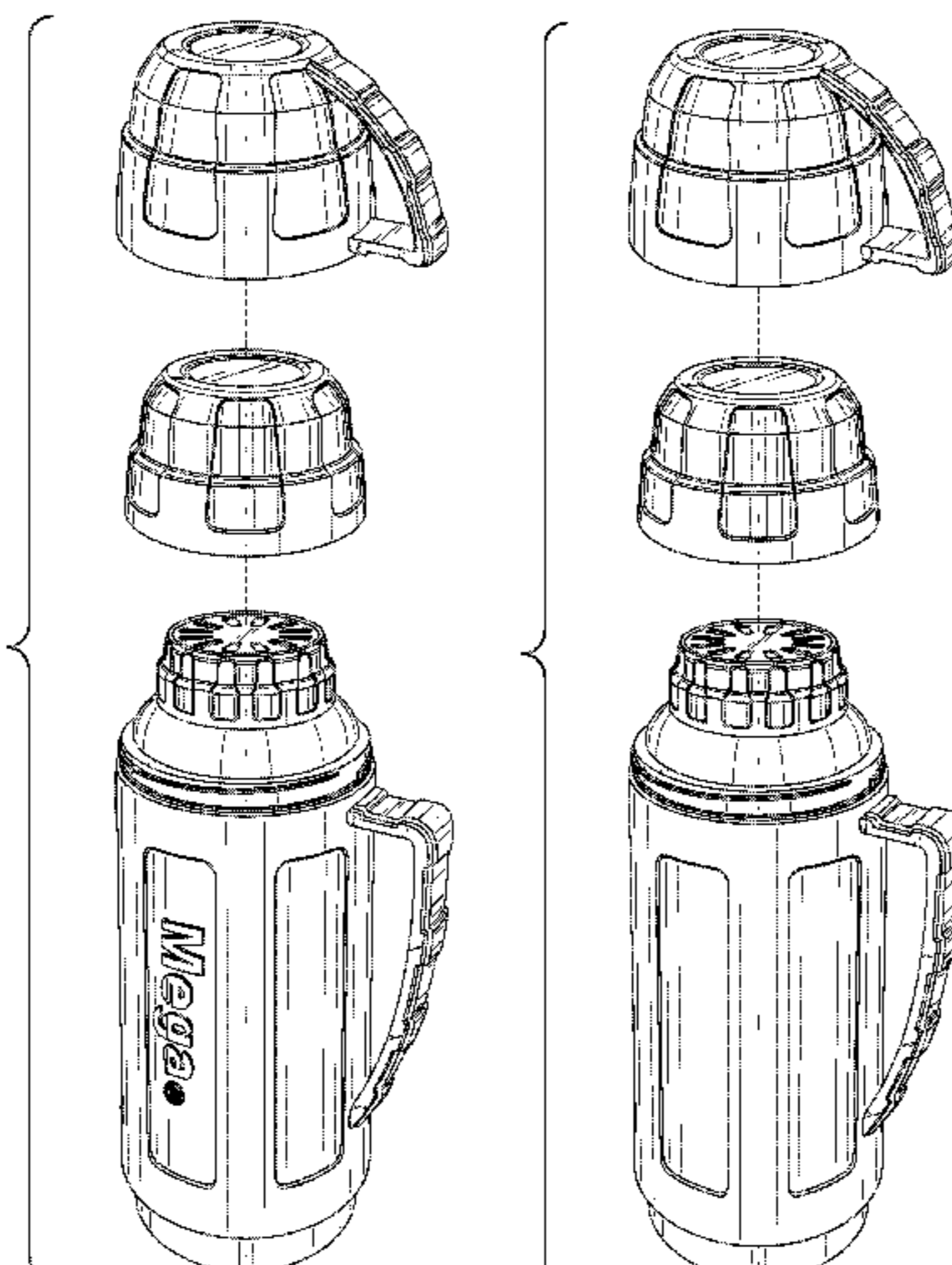
FIG. 18 is an exploded perspective view thereof with an outer lid removed;

FIG. 19 is an exploded perspective view thereof with an outer lid and an inner cup removed; and,

FIG. 20 is an exploded perspective view thereof, lacking the inner cup and with an outer lid removed.

The broken lines in the drawings illustrate environmental structure on the article and form no part of the claimed design.

1 Claim, 18 Drawing Sheets



US D673,459 S

Page 2

U.S. PATENT DOCUMENTS

D452,799 S	1/2002	Moran	
D453,284 S *	2/2002	O'Connor et al. D7/608
6,530,496 B2	3/2003	Moran	
6,536,620 B2	3/2003	Moran	
D488,961 S	4/2004	Moran	
D490,275 S	5/2004	Moran	
6,764,622 B2	7/2004	Moran	
D496,559 S *	9/2004	Bodum D7/510
D497,778 S	11/2004	Rich	
D500,231 S	12/2004	Ward et al.	
D513,688 S	1/2006	Moran	
D518,380 S	4/2006	Moran	
D533,032 S	12/2006	Liu et al.	
D553,914 S	10/2007	Wahl	
D569,195 S *	5/2008	Kim D7/608
D572,981 S	7/2008	Carreno	
D621,666 S *	8/2010	Wahl D7/608
D623,480 S	9/2010	Moran	
D623,481 S	9/2010	Moran	
D625,561 S *	10/2010	Ablo D7/511
D630,474 S *	1/2011	Gilbert D7/608

* cited by examiner

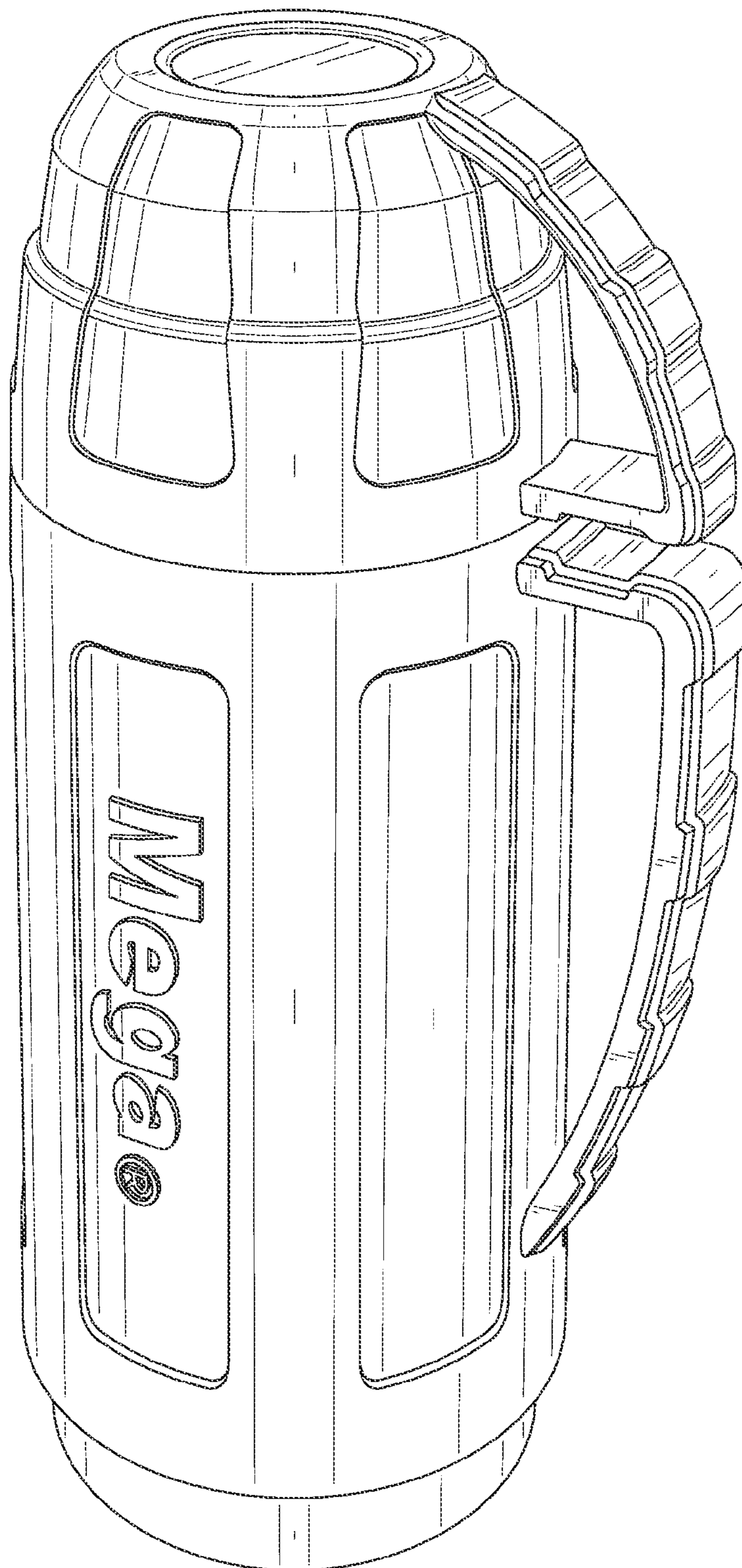


FIG. 1

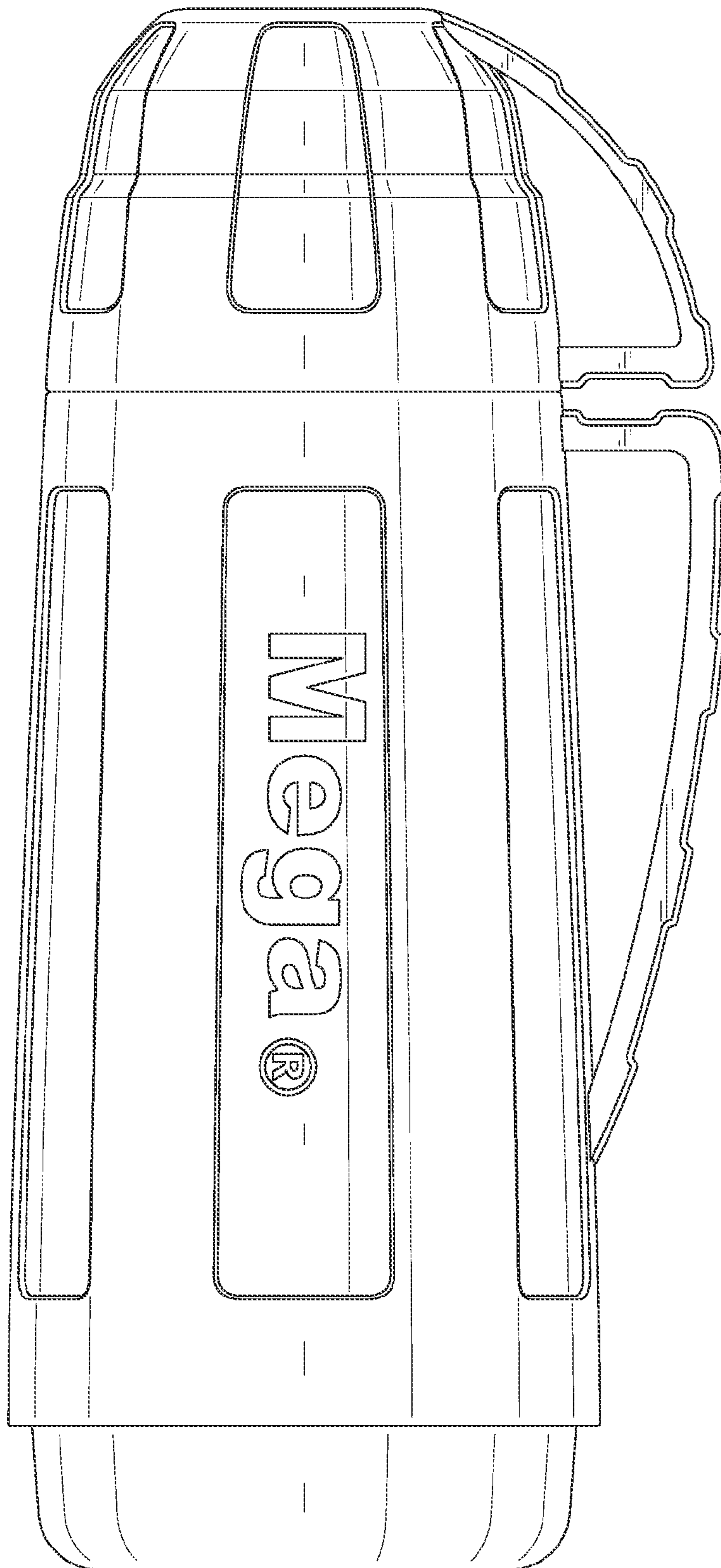


FIG. 2

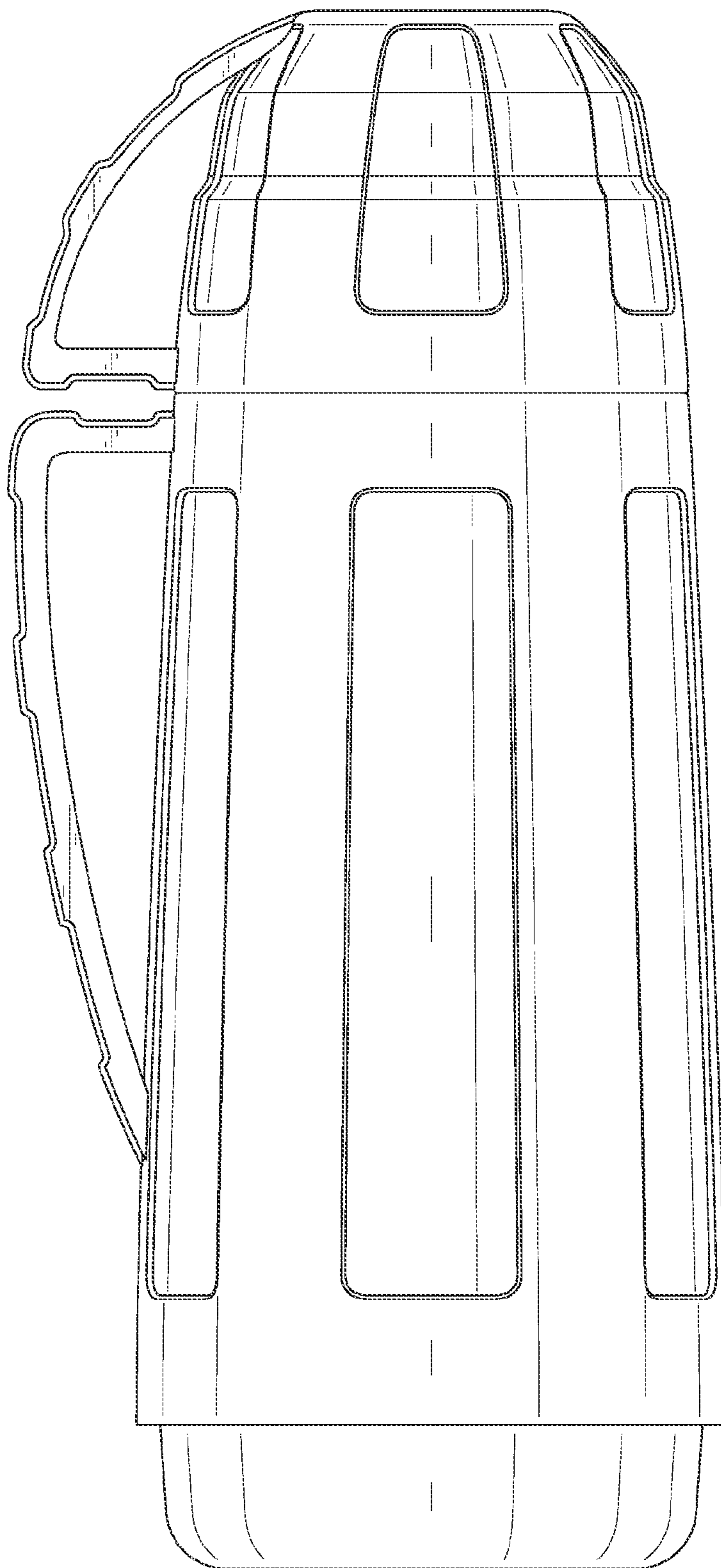


FIG. 3

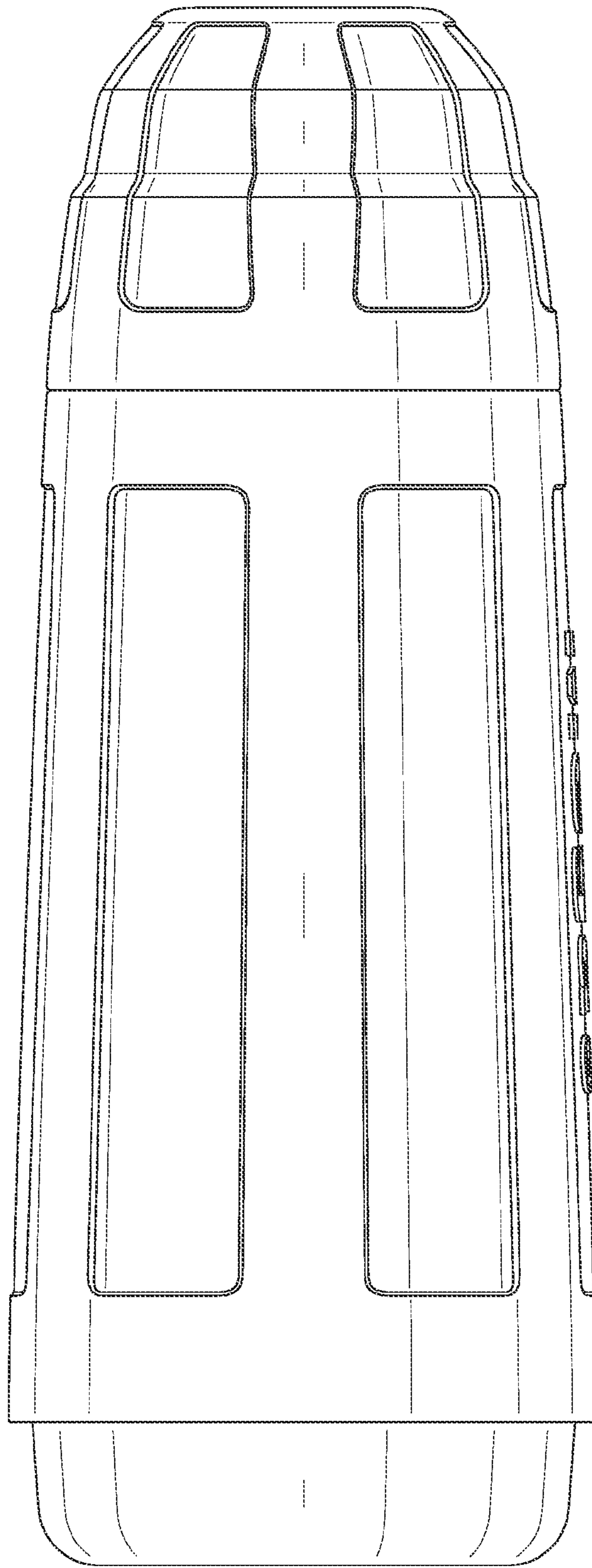


FIG. 4

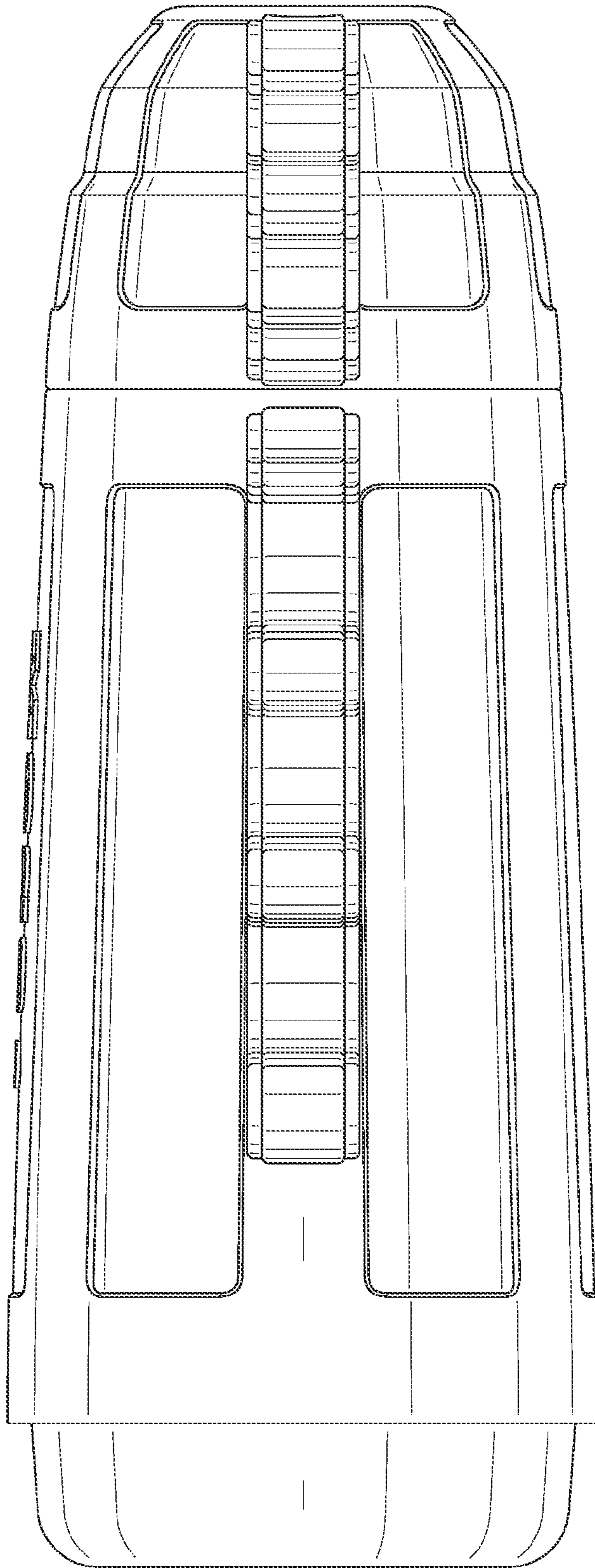


FIG. 5

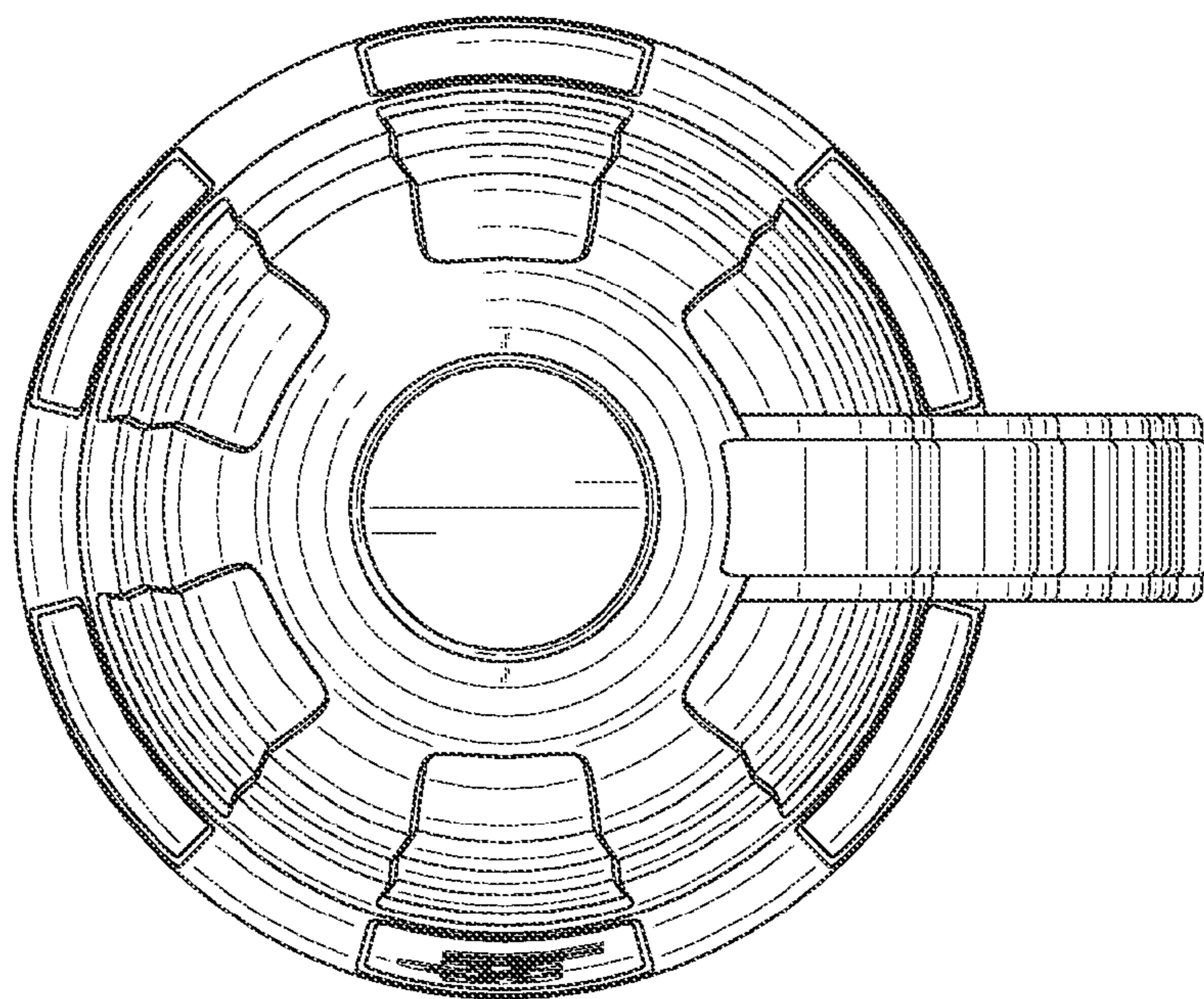


FIG. 6

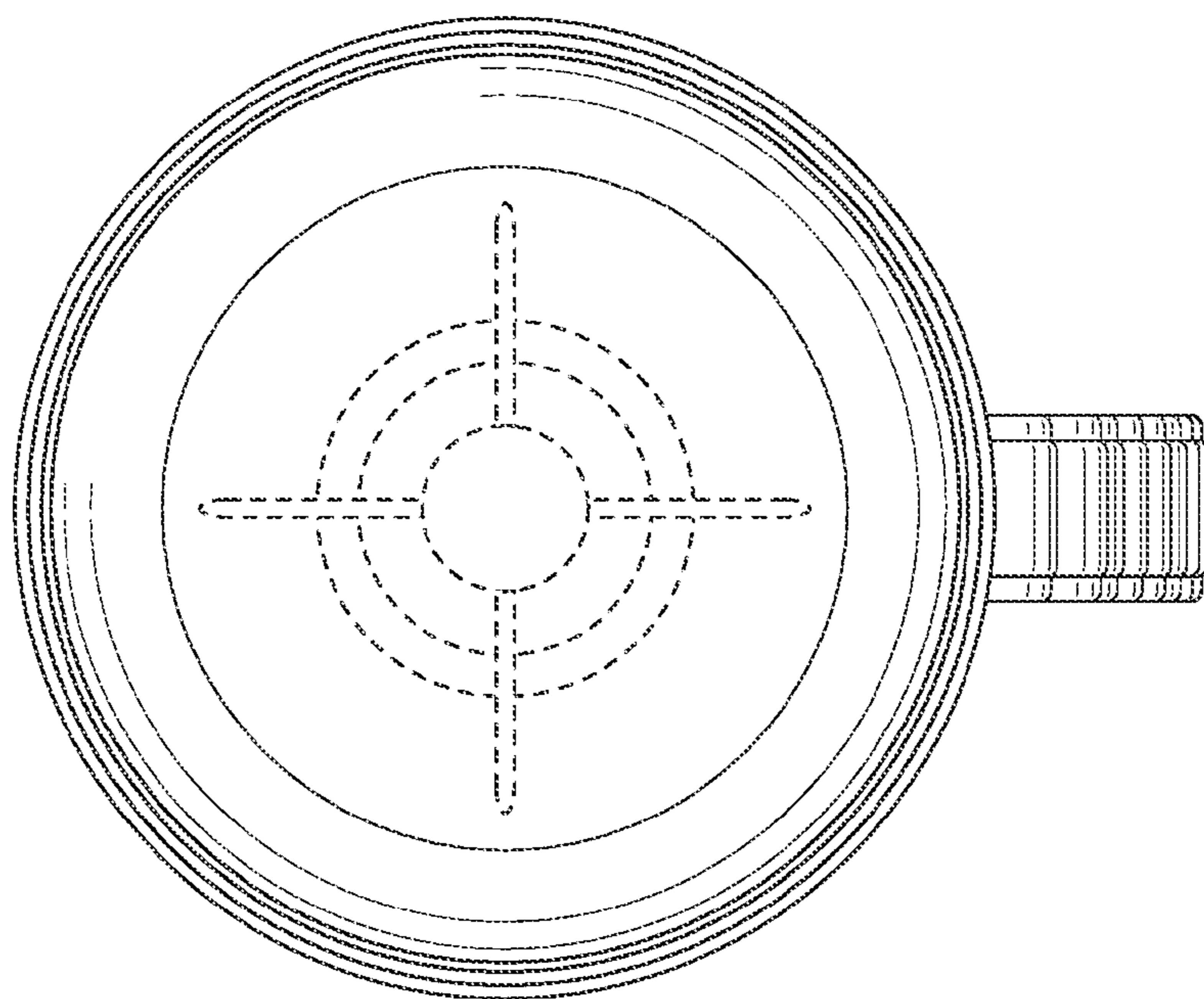


FIG. 7

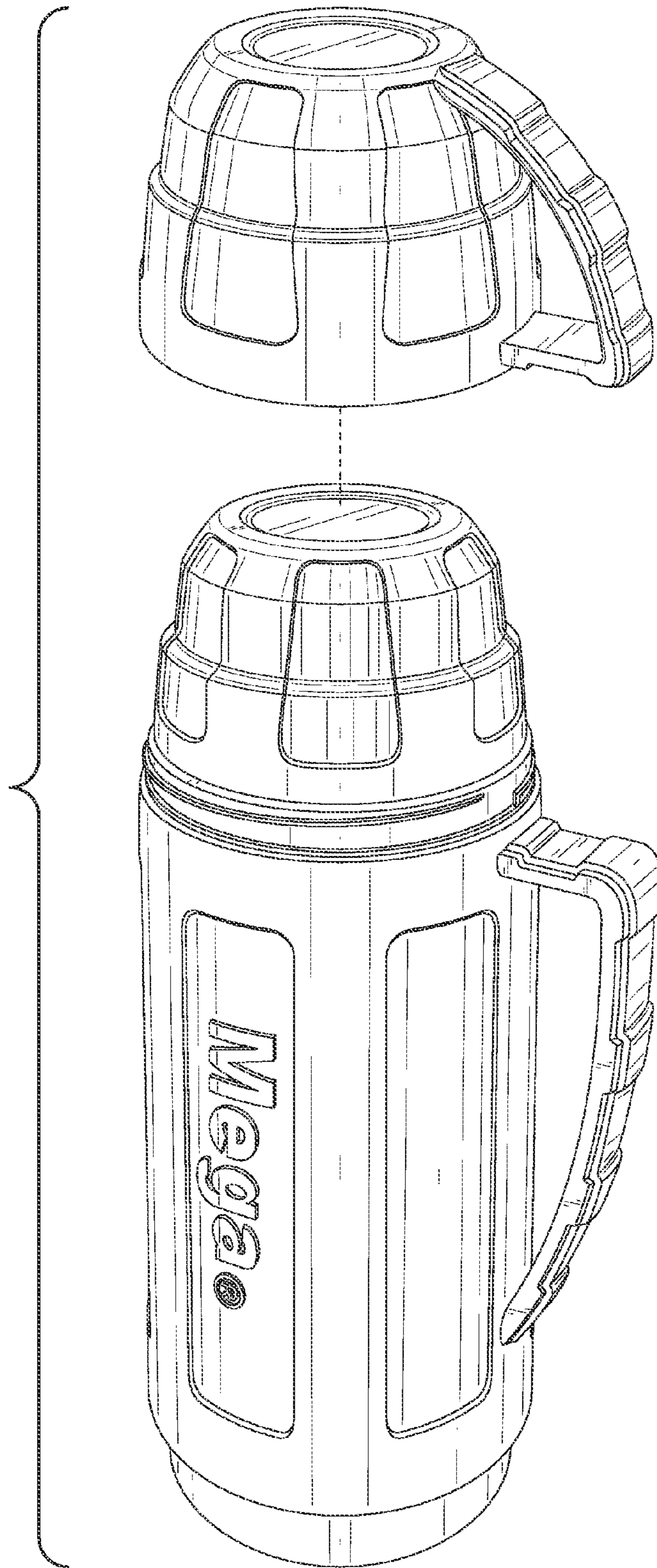


FIG. 8

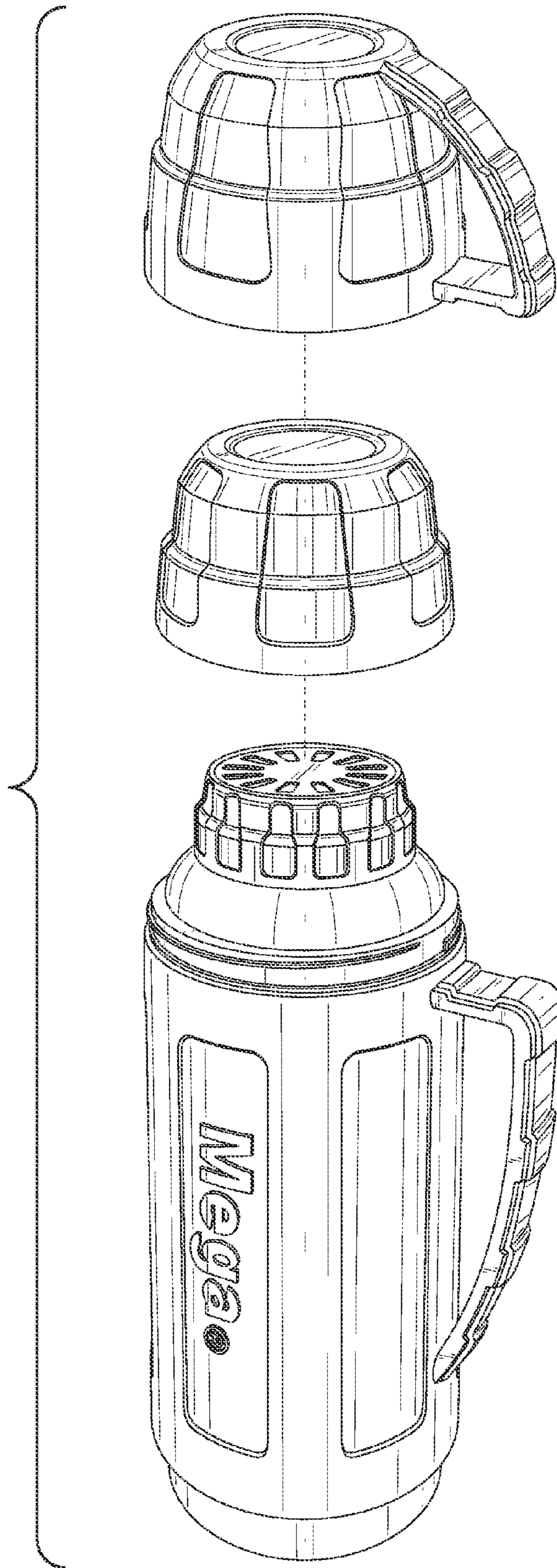


FIG. 9

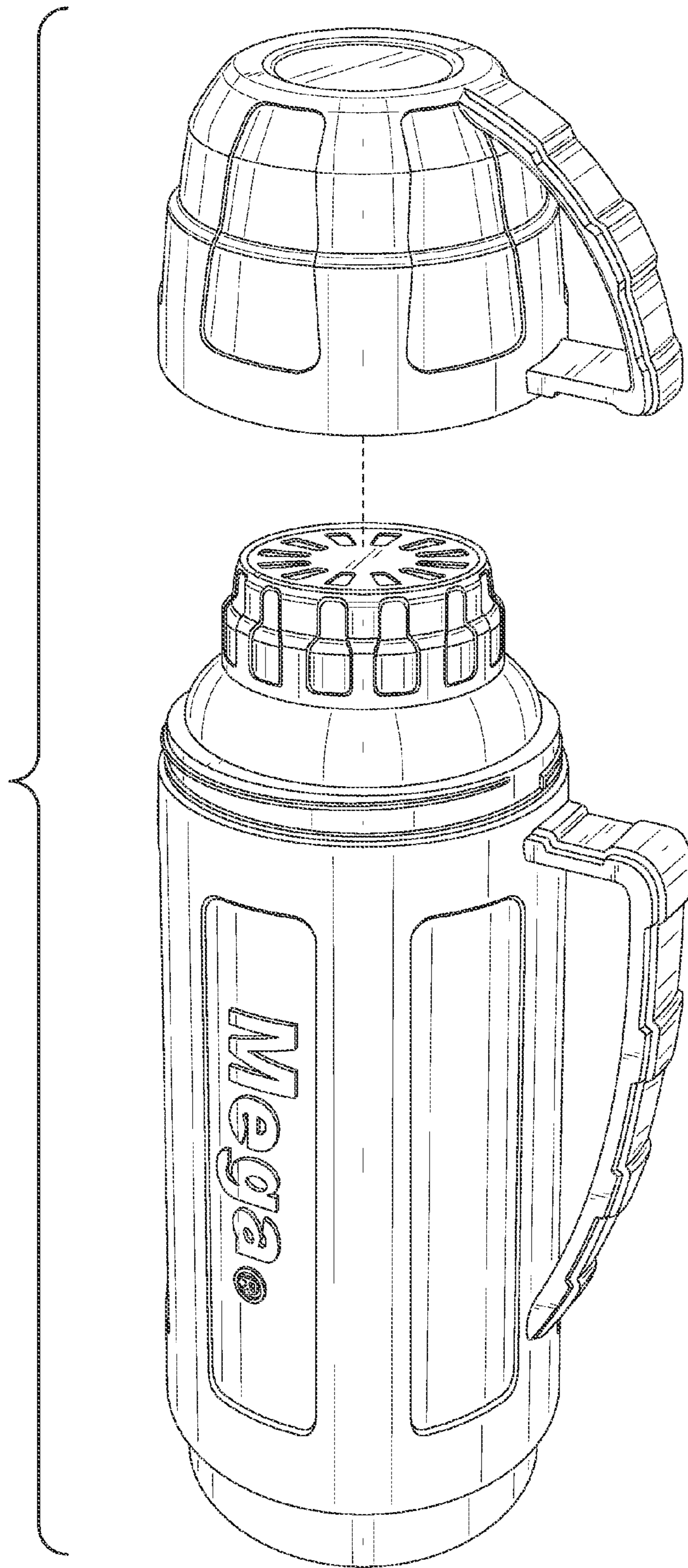


FIG. 10

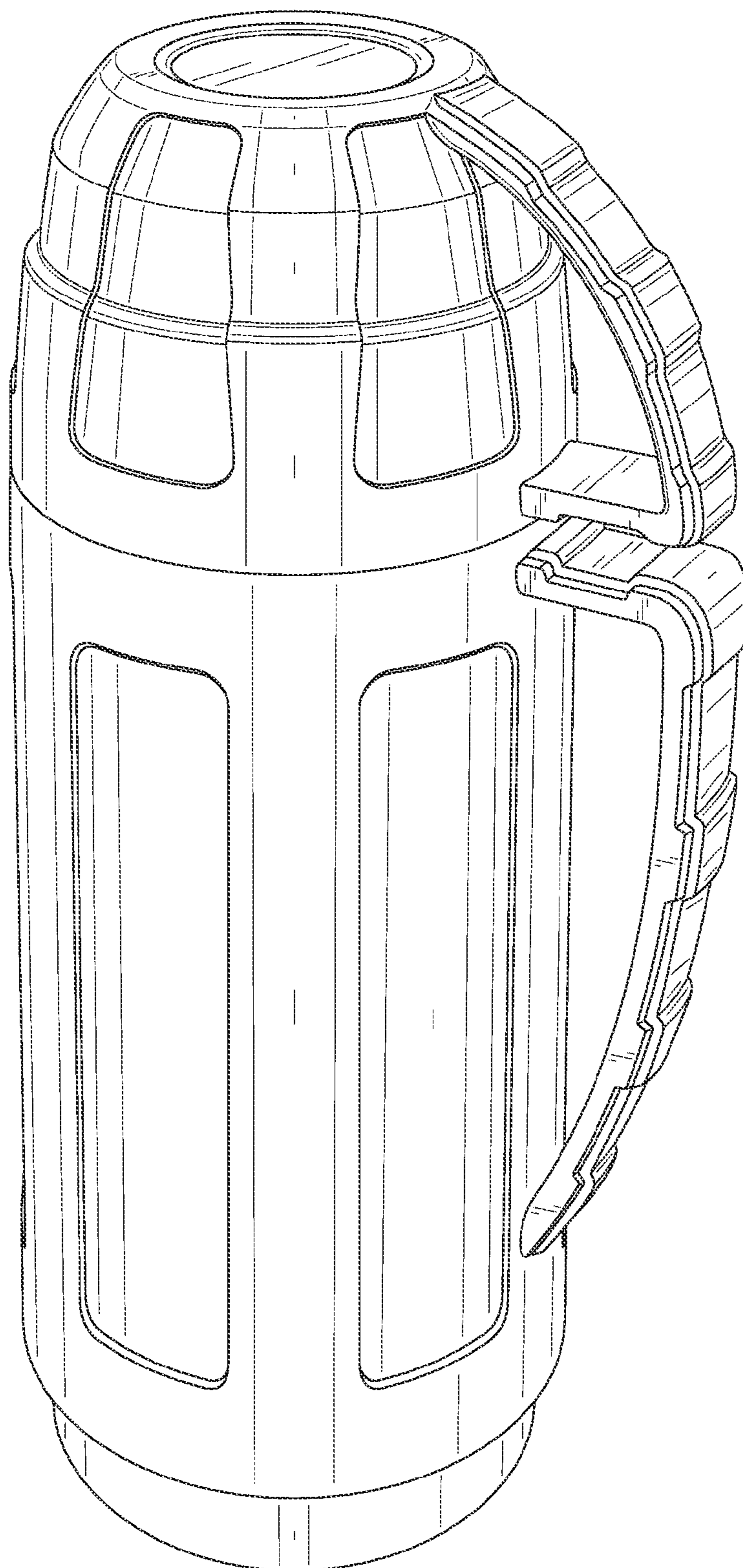


FIG. 11

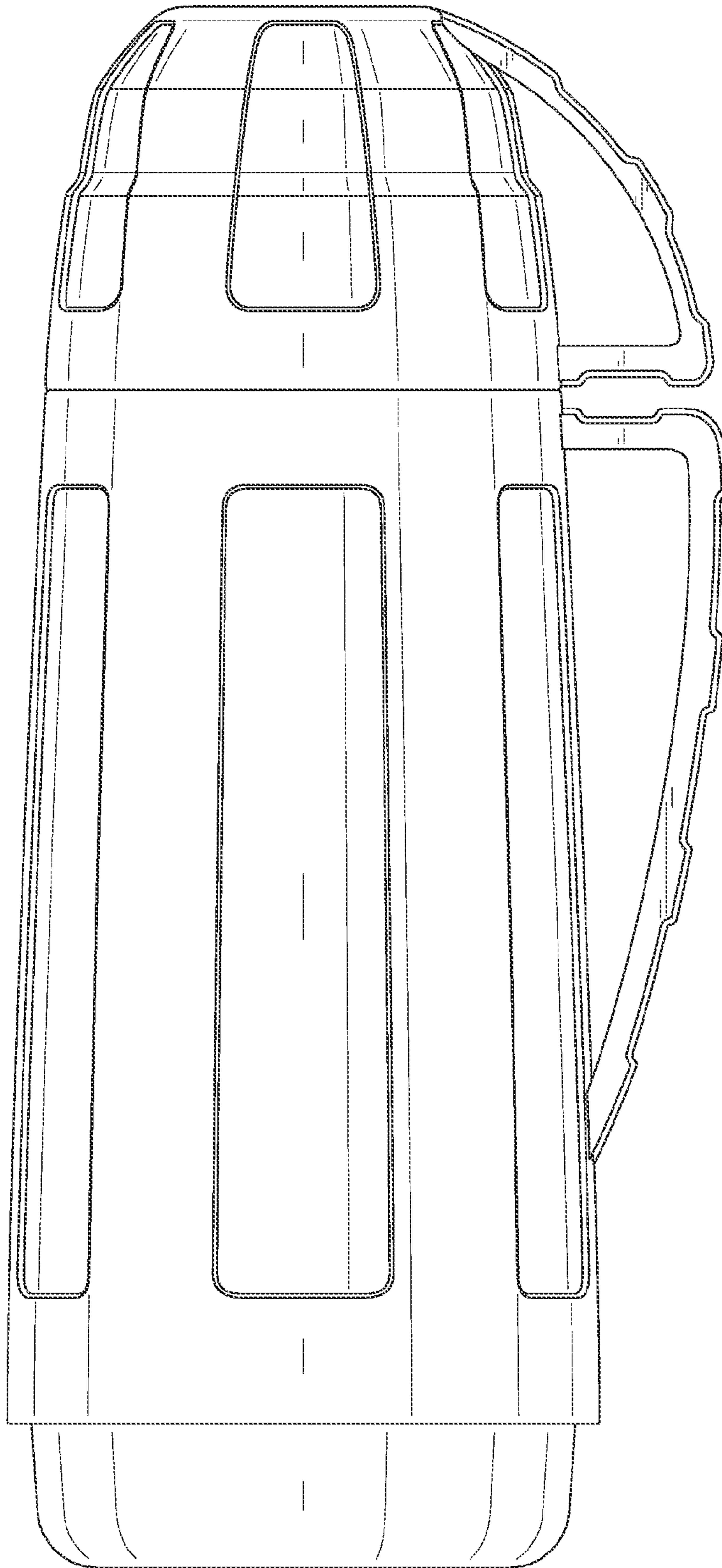


FIG. 12

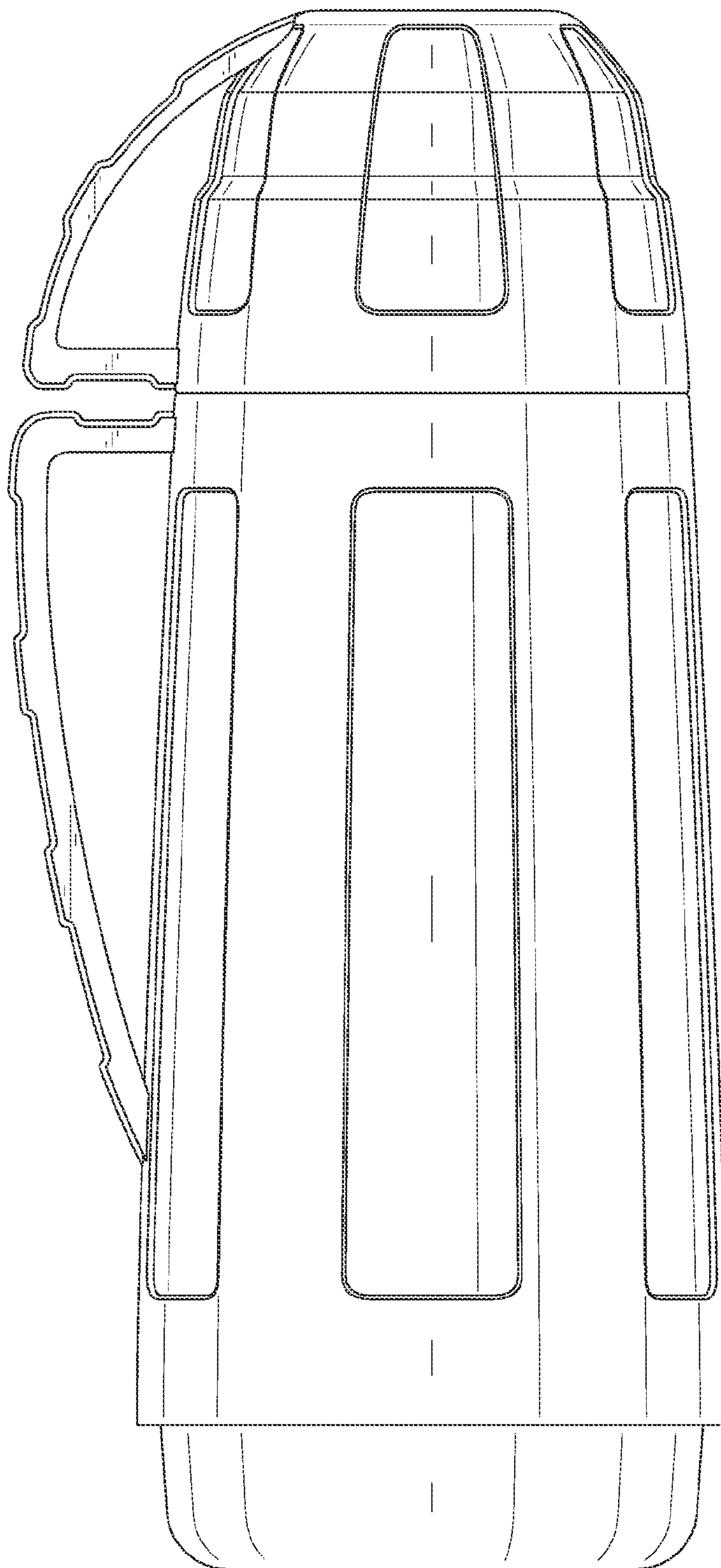


FIG. 13

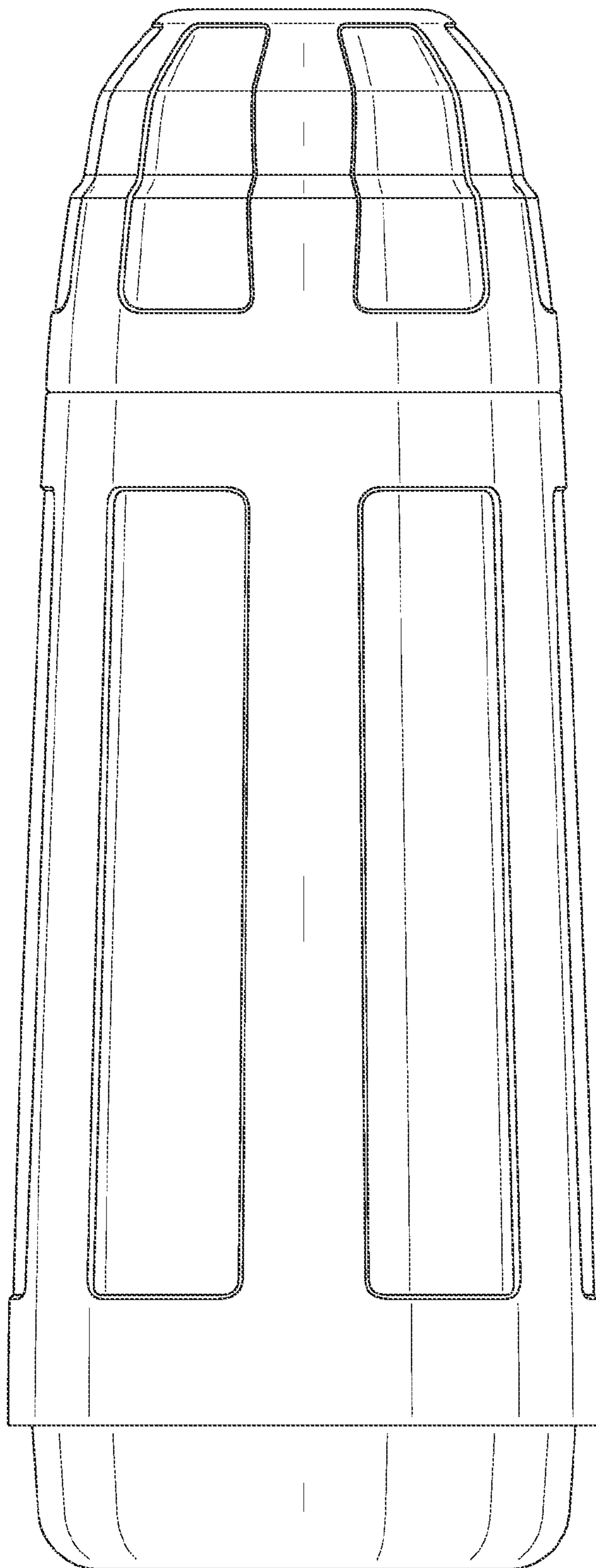


FIG. 14

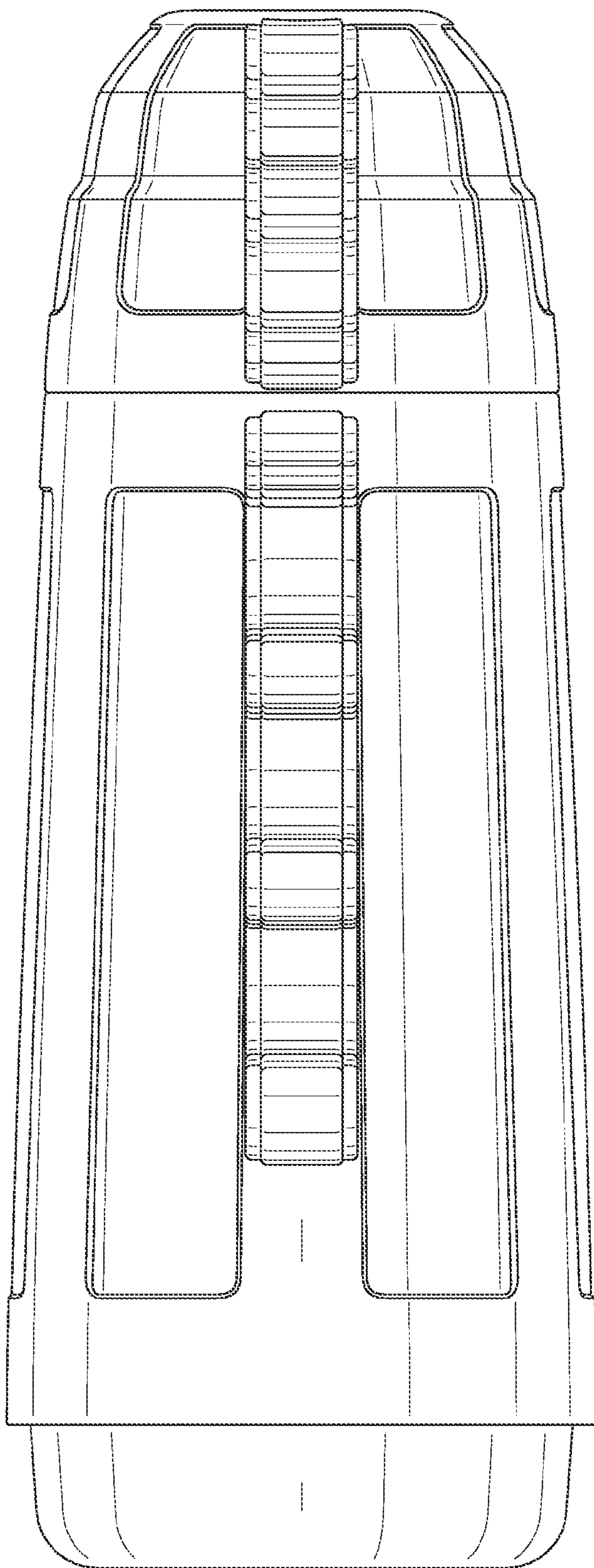


FIG. 15

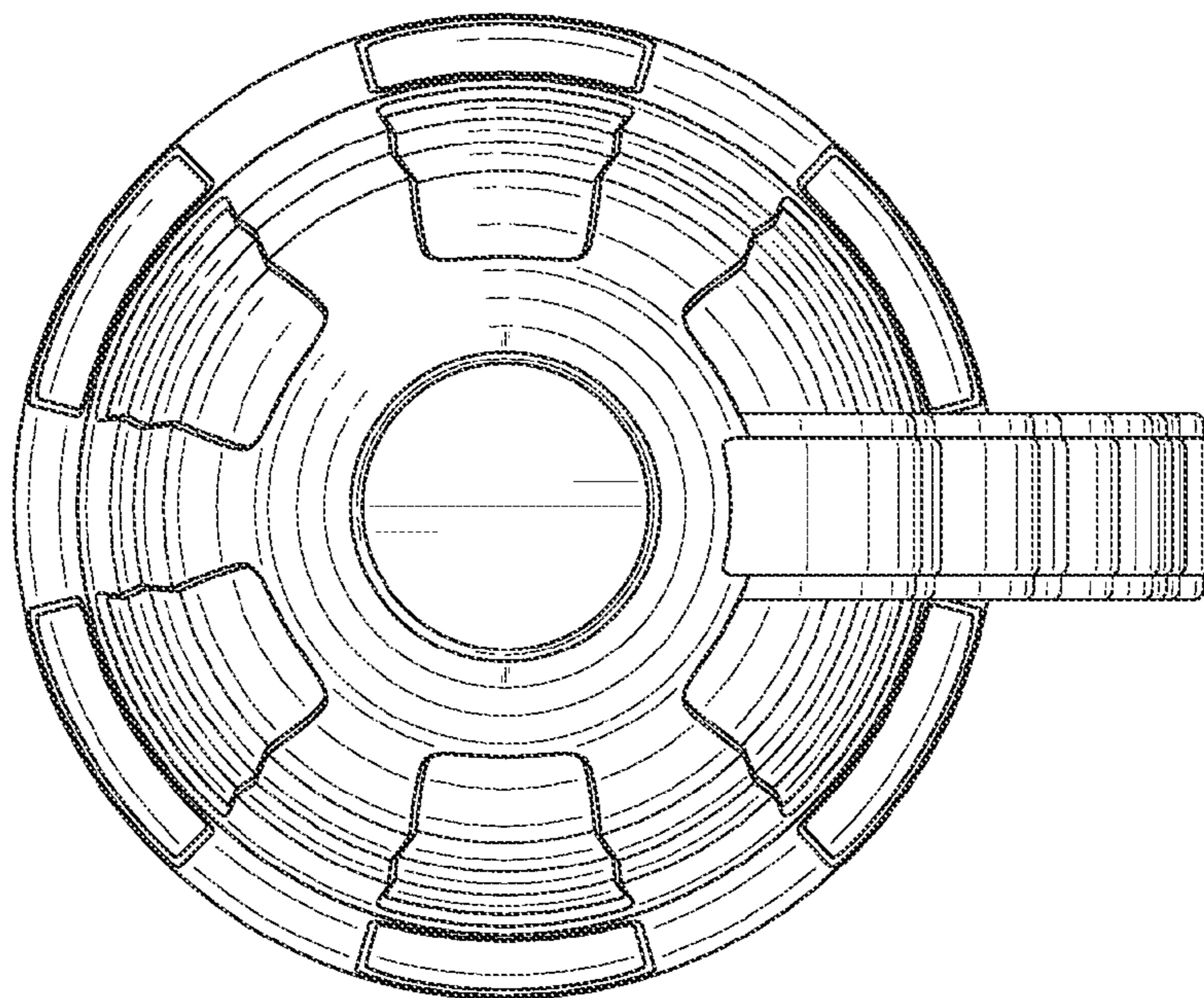


FIG. 16

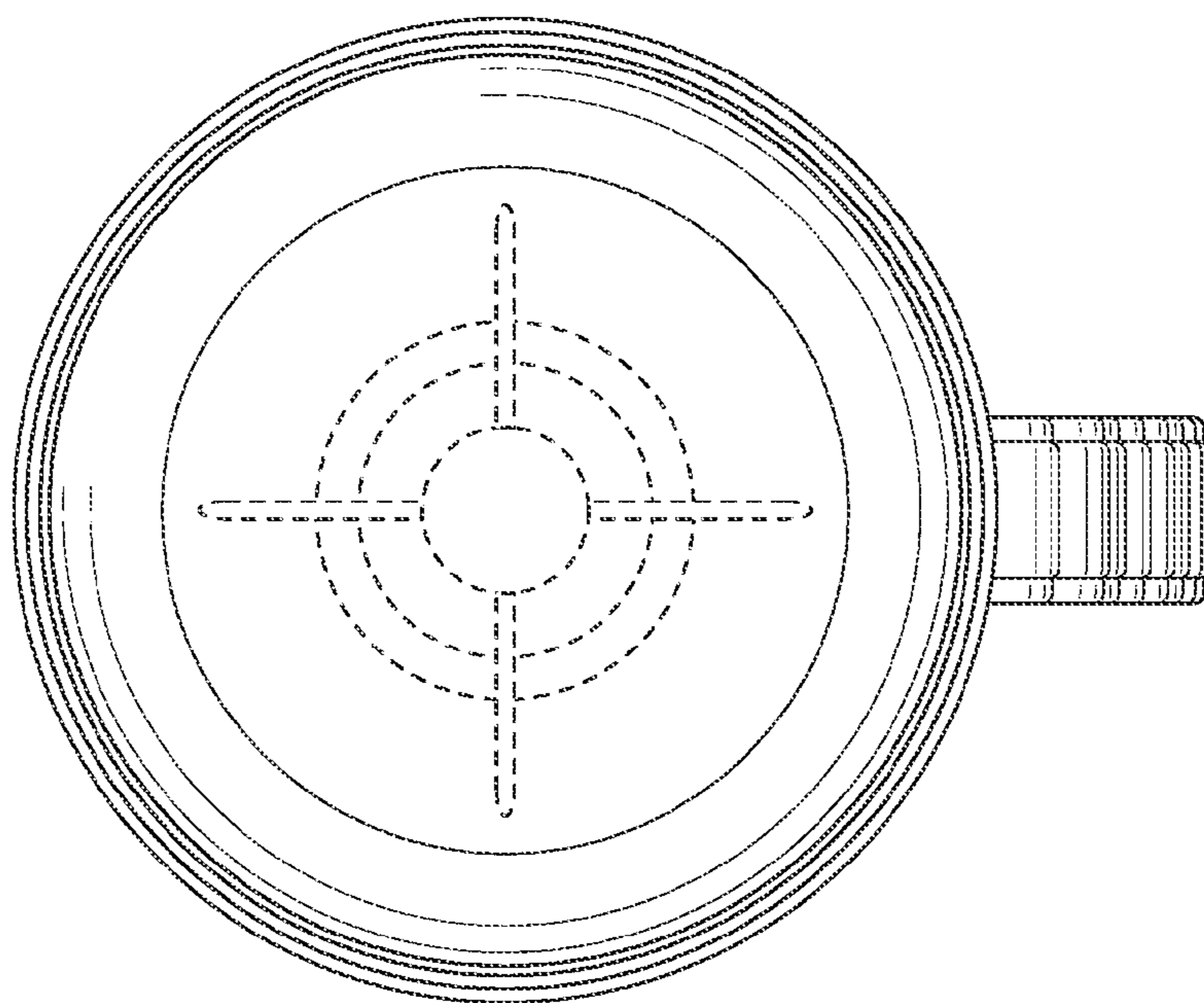


FIG. 17

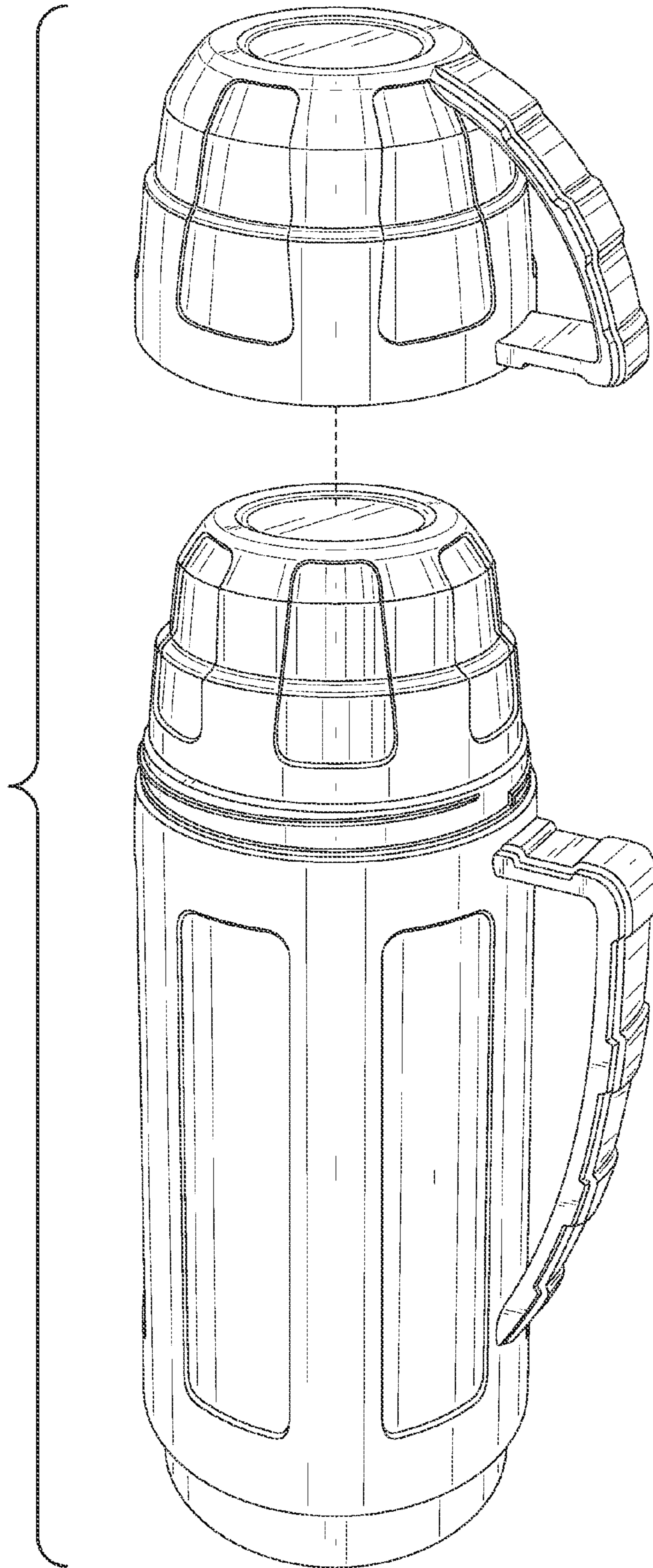


FIG. 18

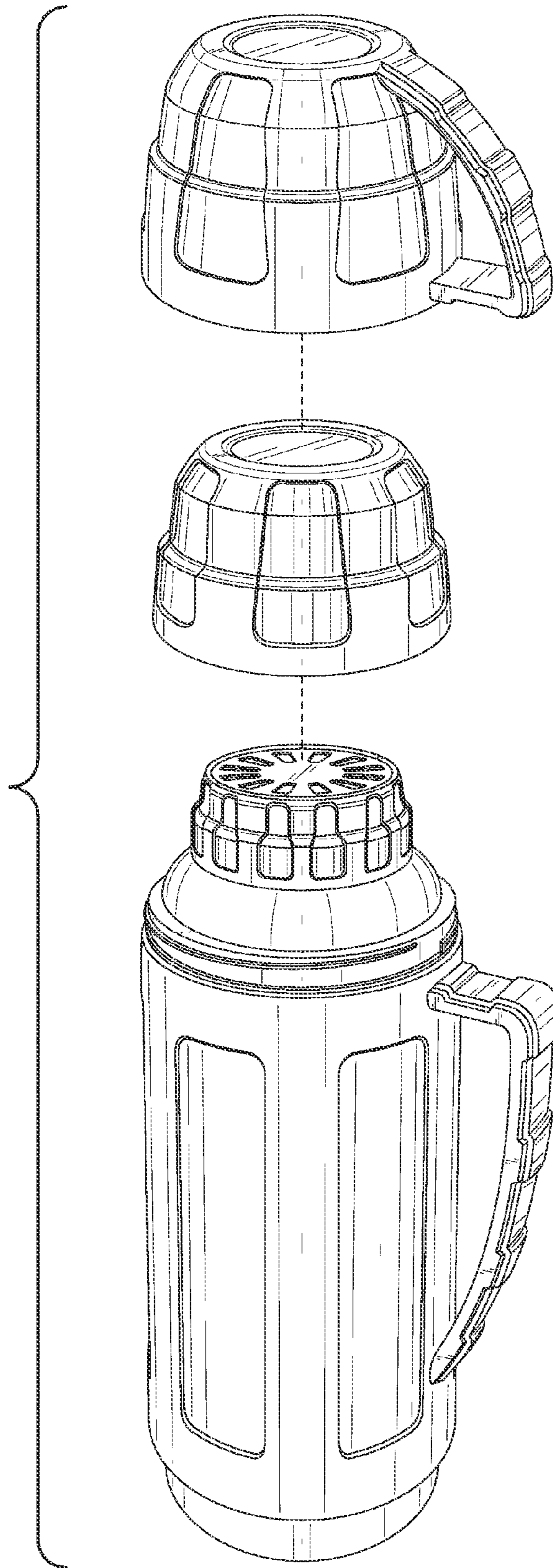


FIG. 19

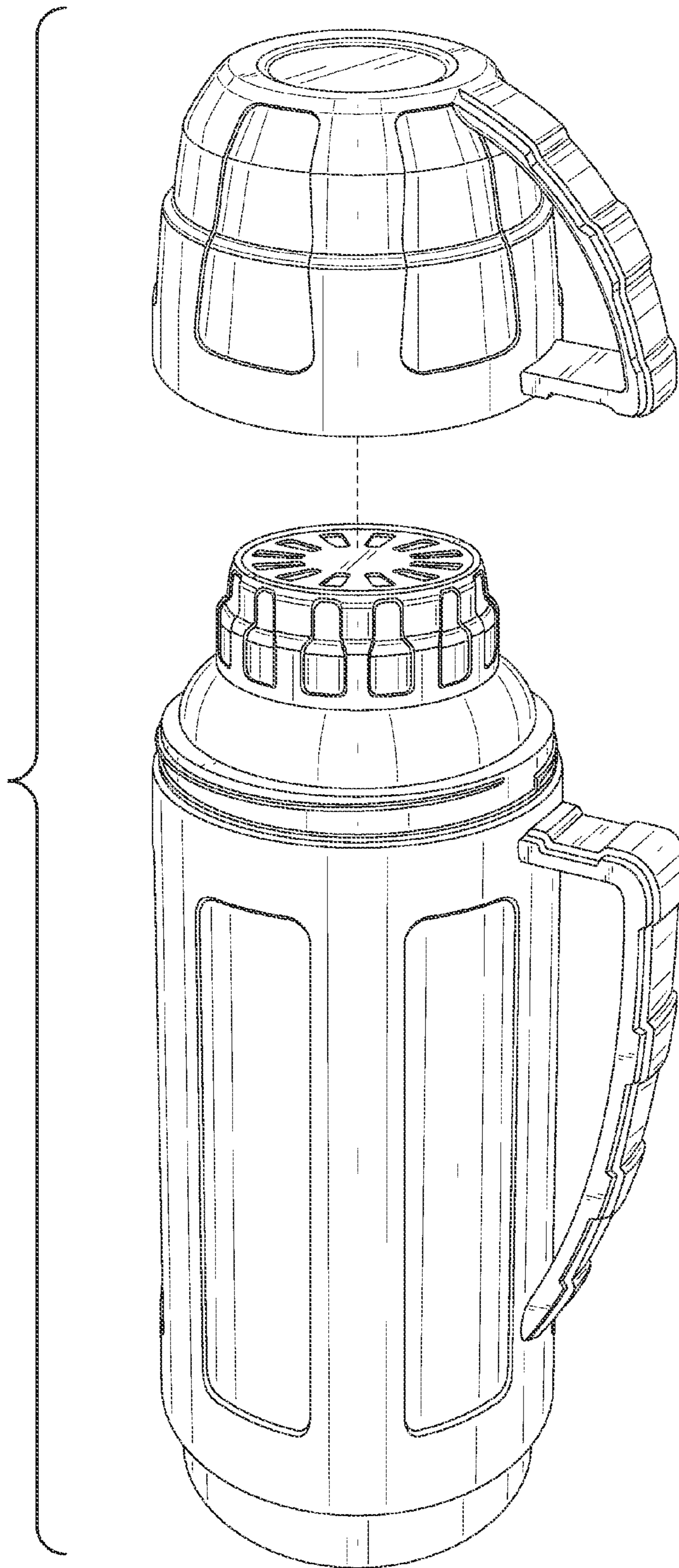


FIG. 20