

US00D673455S

(12) **United States Design Patent**
Lachery et al.

(10) **Patent No.:** **US D673,455 S**
(45) **Date of Patent:** **** Jan. 1, 2013**

(54) **COSMETIC BOTTLE**

(75) Inventors: **Renaud Lachery**, Ermenonville la petite (FR); **Bruno Lablaine**, Thivars (FR); **Melanie Huebschen**, Duesseldorf (DE)

(73) Assignee: **Henkel AG & Co. KGaA**, Duesseldorf (DE)

(**) Term: **14 Years**

(21) Appl. No.: **29/386,058**

(22) Filed: **Feb. 24, 2011**

(30) **Foreign Application Priority Data**

Aug. 24, 2010 (EM) 001746355

(51) **LOC (9) Cl.** **09-01**

(52) **U.S. Cl.** **D9/521; D9/529; D9/551; D9/564; D9/575; D9/445**

(58) **Field of Classification Search** D9/682, D9/686-687, 516, 521-522, 529, 537, 539-540, D9/542-543, 549, 551, 558, 564, 574, 435, D9/445, 447, 449; 215/382-384; 220/660, 220/669, 675

See application file for complete search history.

(56) **References Cited**

U.S. PATENT DOCUMENTS

D353,099 S * 12/1994 Poisson D9/542
D362,626 S * 9/1995 Rossi D9/551 X
D376,697 S * 12/1996 Green et al. D9/543 X
D382,206 S * 8/1997 Worthington et al. D9/529

D415,688 S * 10/1999 Crawford D9/543
D422,220 S * 4/2000 Feen D9/542
D429,648 S * 8/2000 Goettner D9/551 X
D442,478 S * 5/2001 Holthaus D9/728
D443,825 S * 6/2001 Goettner D9/530
D463,284 S * 9/2002 Poisson et al. D9/522
D480,003 S * 9/2003 Blades D9/529
D489,626 S * 5/2004 Pitassi D9/542
D535,565 S * 1/2007 Pitassi D9/530
D543,850 S * 6/2007 Legros D9/522
D546,187 S * 7/2007 Ratzlaff D9/551 X
D553,502 S * 10/2007 Toh D9/530
D590,717 S * 4/2009 Weber D9/543
D602,362 S * 10/2009 Hering D9/521
D619,898 S * 7/2010 Graham et al. D9/564 X

* cited by examiner

Primary Examiner — Carol P Rademaker

(74) *Attorney, Agent, or Firm* — David LeCroy

(57) **CLAIM**

The ornamental design for a cosmetic bottle, as shown and described.

DESCRIPTION

FIG. 1 is a front perspective view of the cosmetic bottle showing our new design;

FIG. 2 is a front elevational view thereof;

FIG. 3 is a rear elevational view thereof;

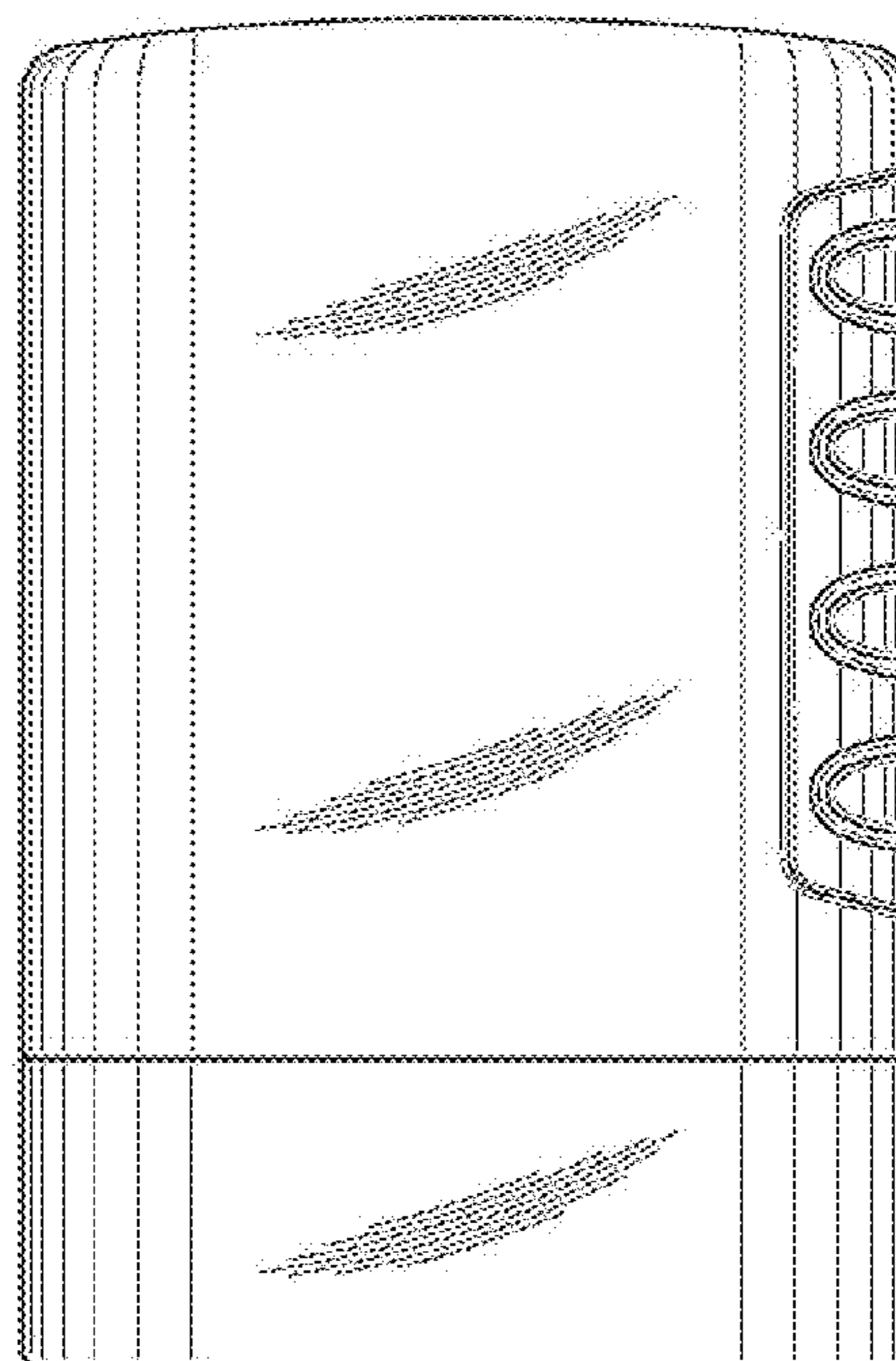
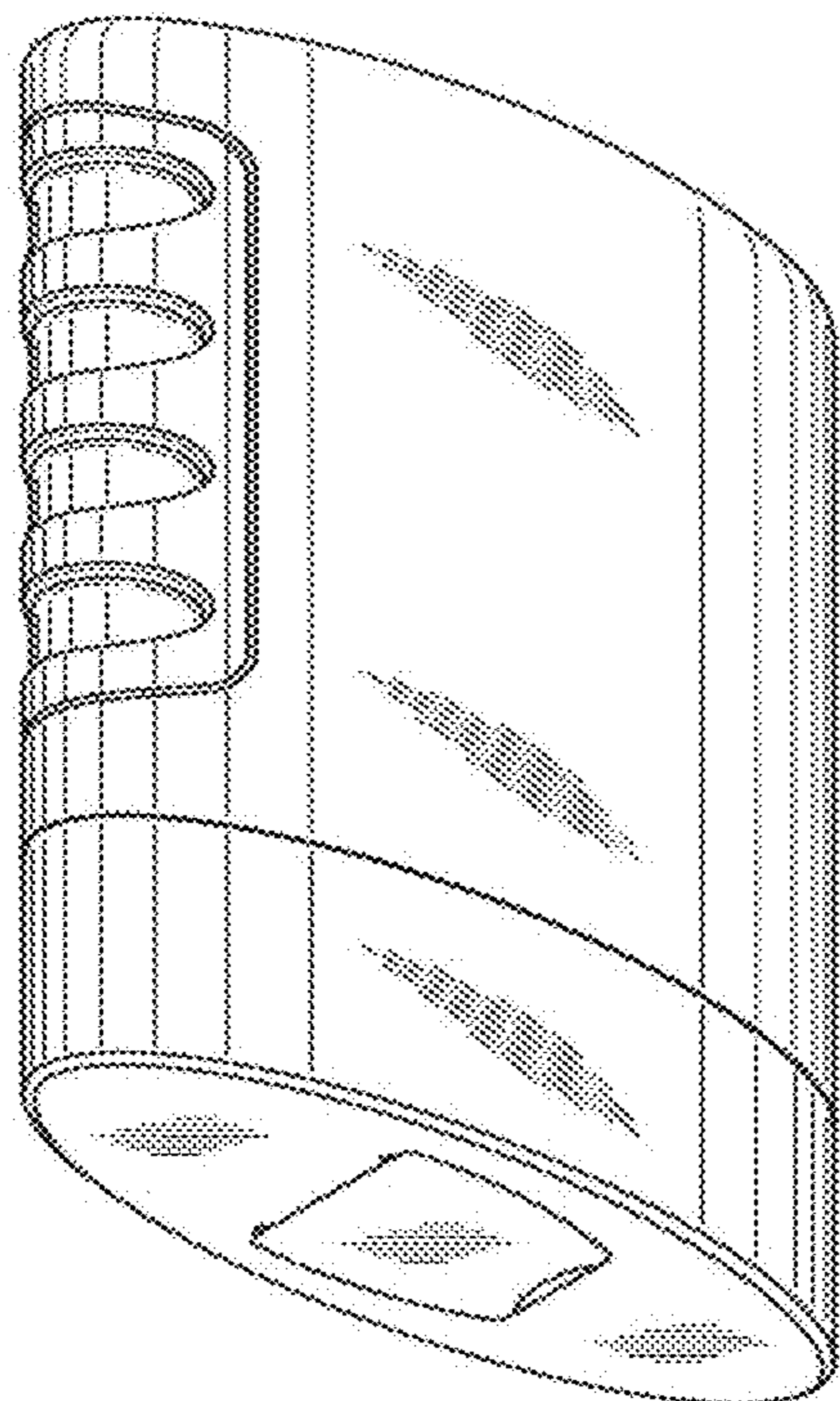
FIG. 4 is a left side elevational view thereof;

FIG. 5 is a right side elevational view thereof;

FIG. 6 is a bottom plan view thereof; and,

FIG. 7 is a top plan view thereof.

1 Claim, 7 Drawing Sheets



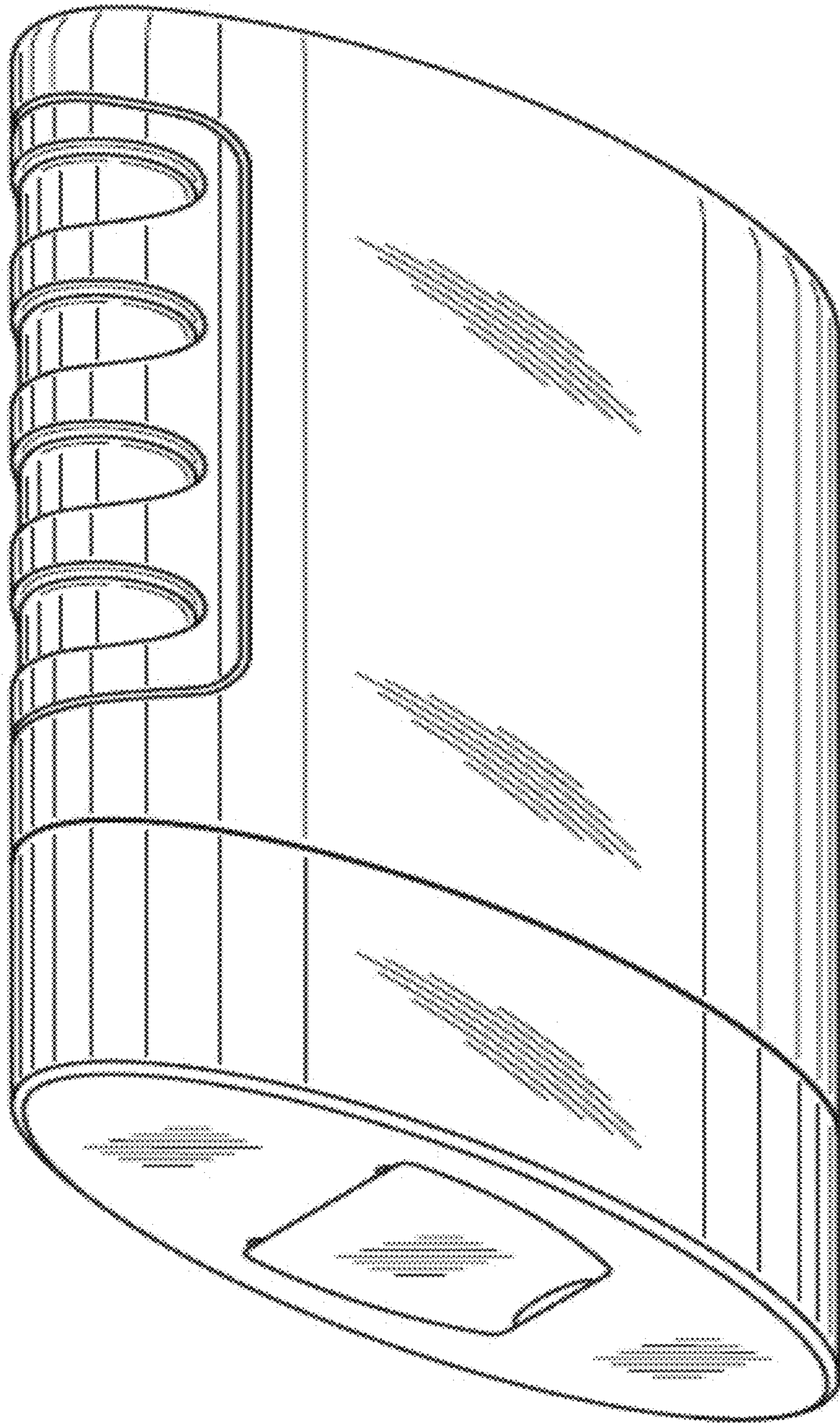


Figure 1

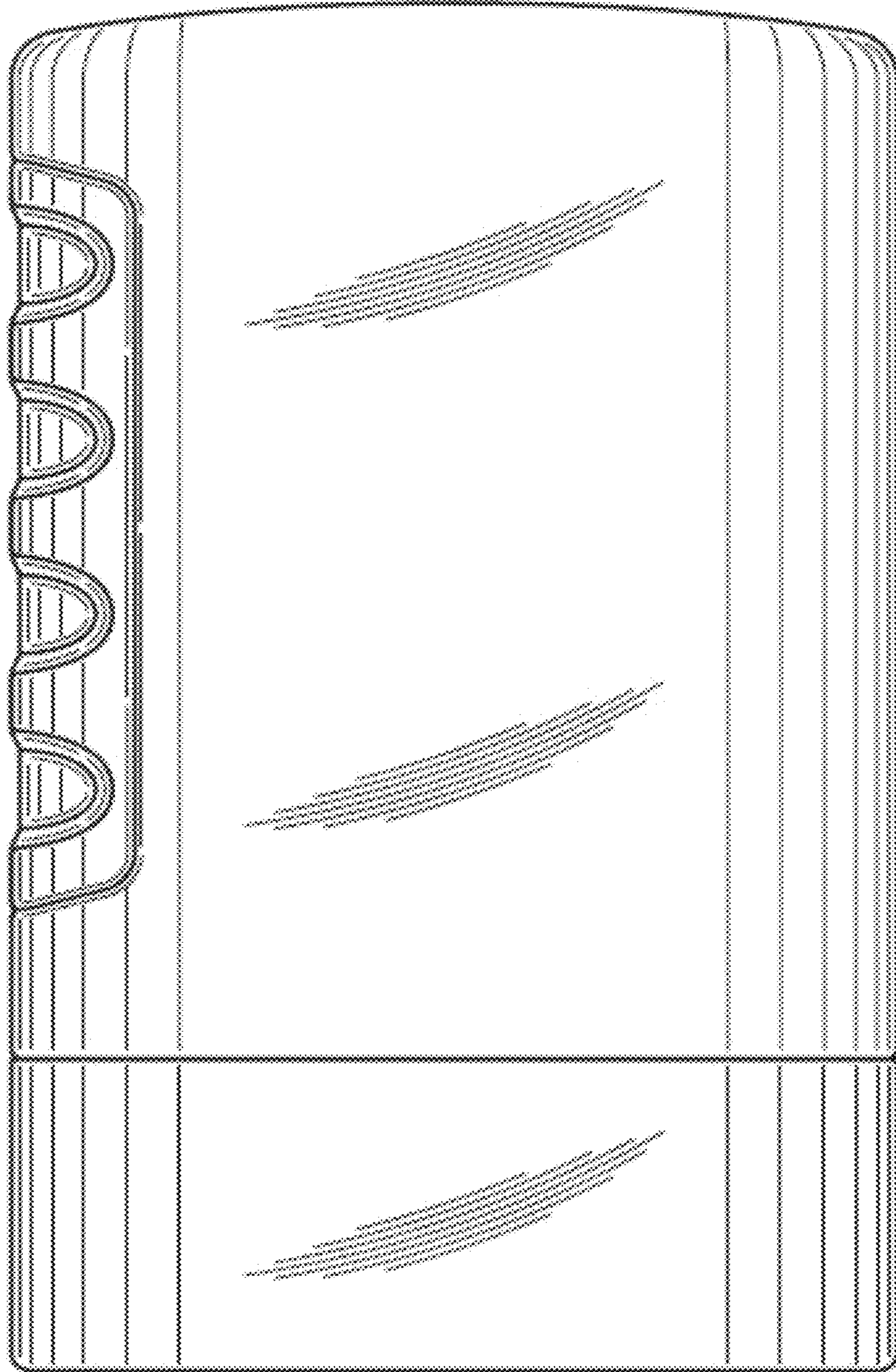


Figure 2

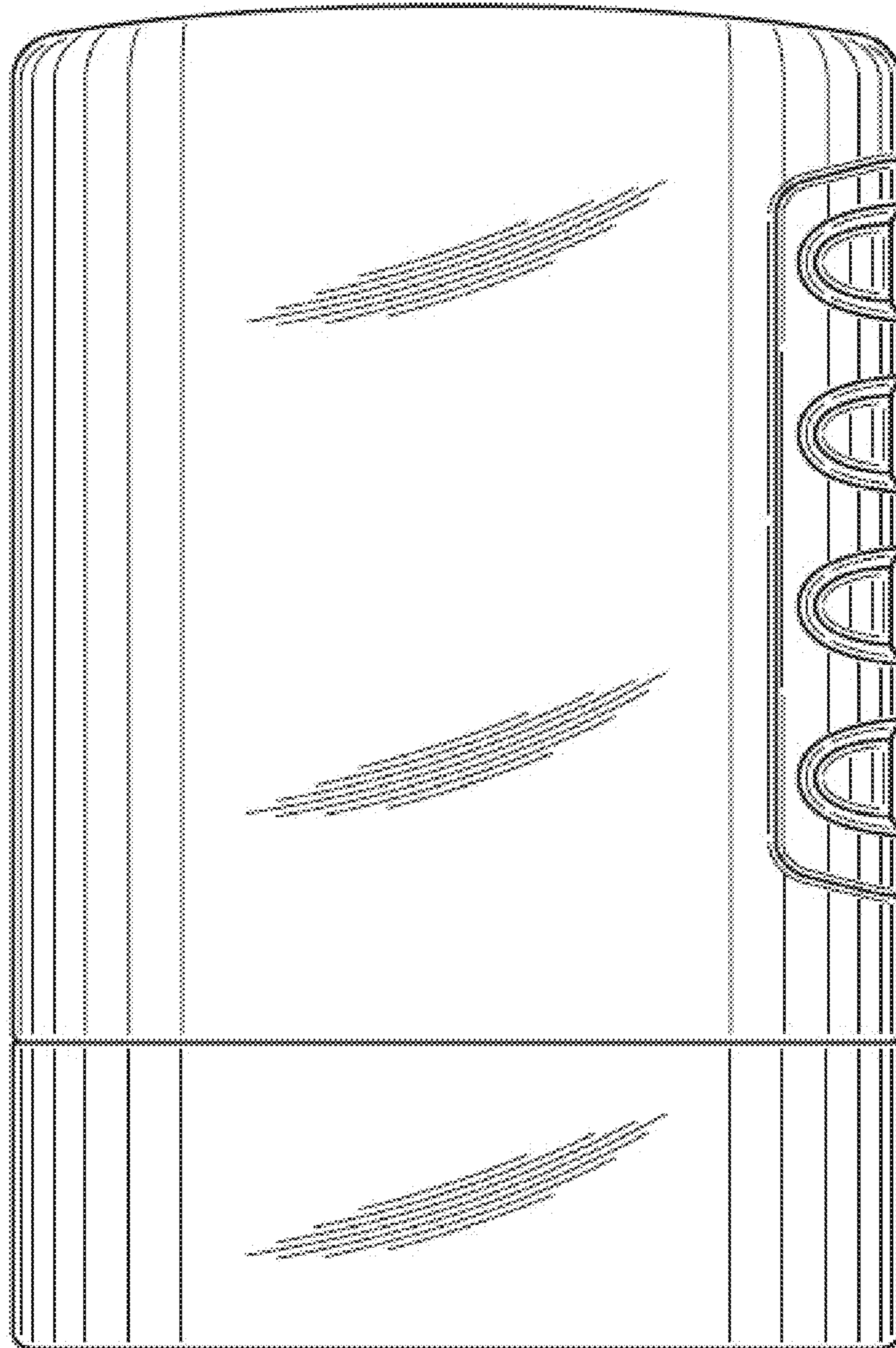


Figure 3

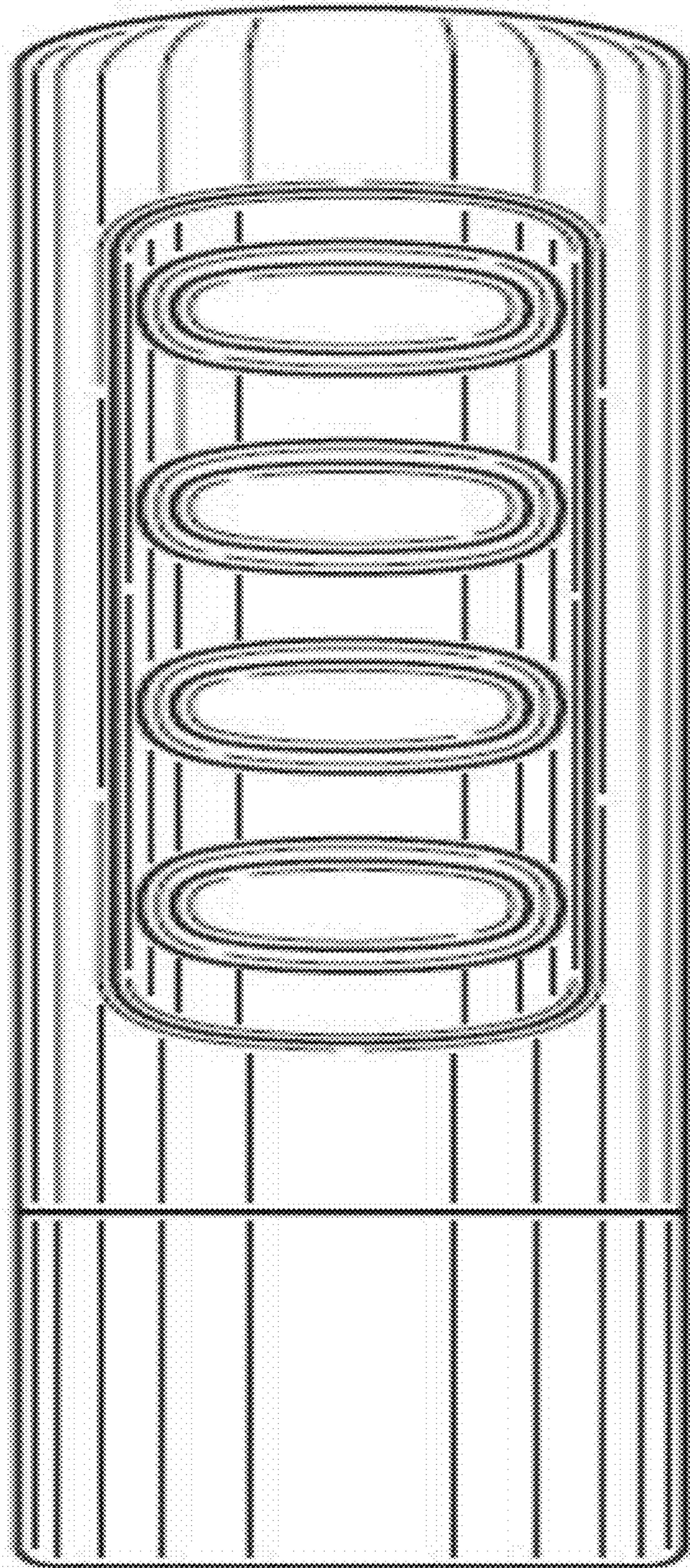


Figure 4

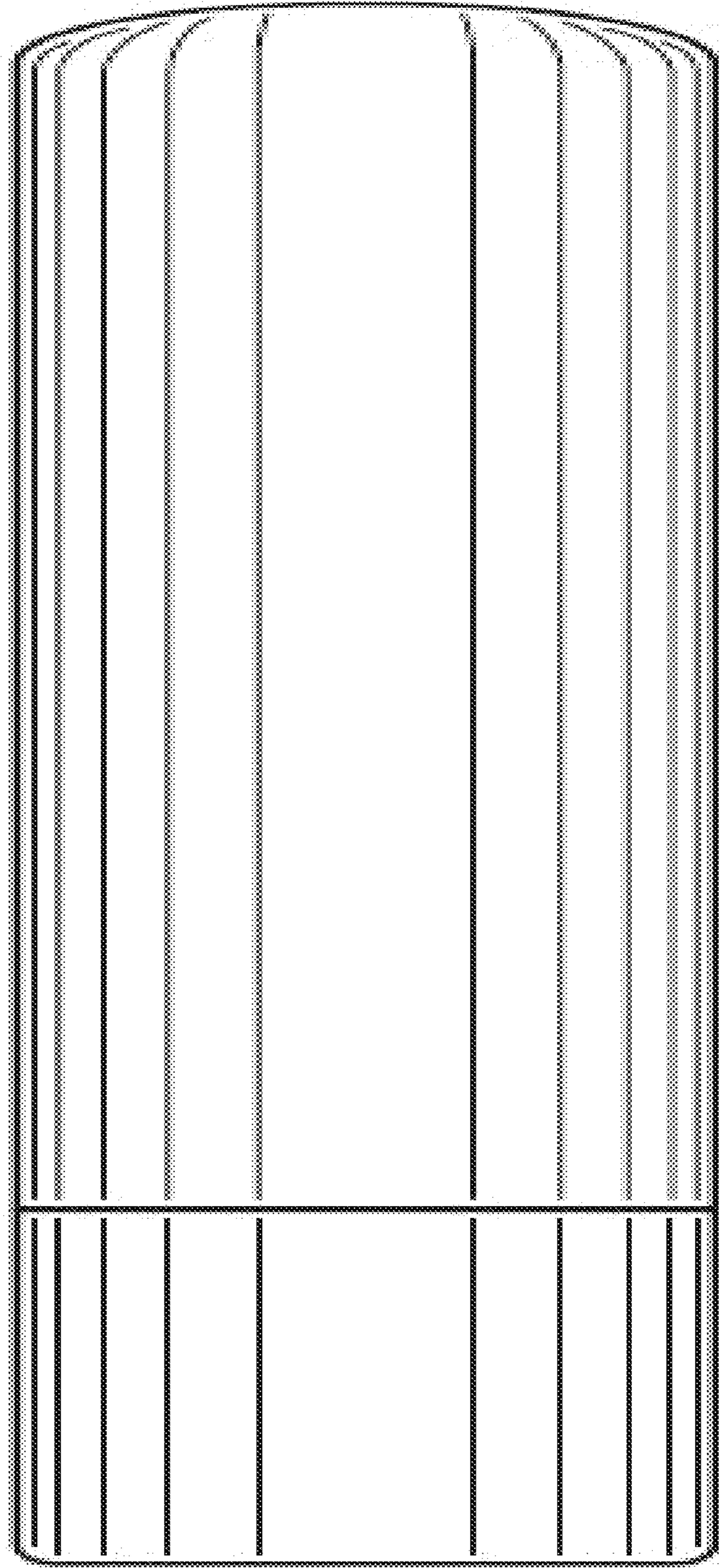


Figure 5

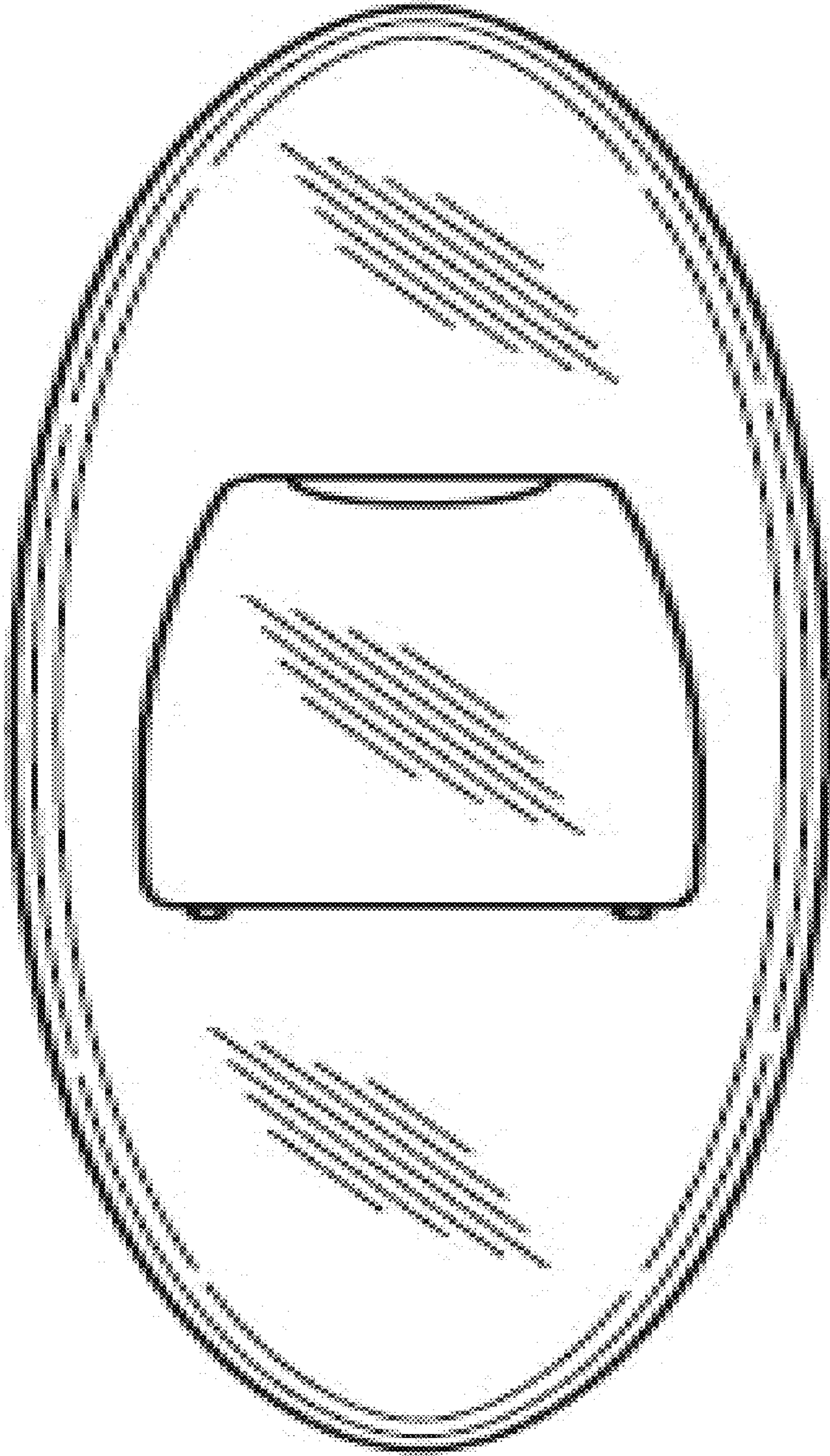


Figure 6

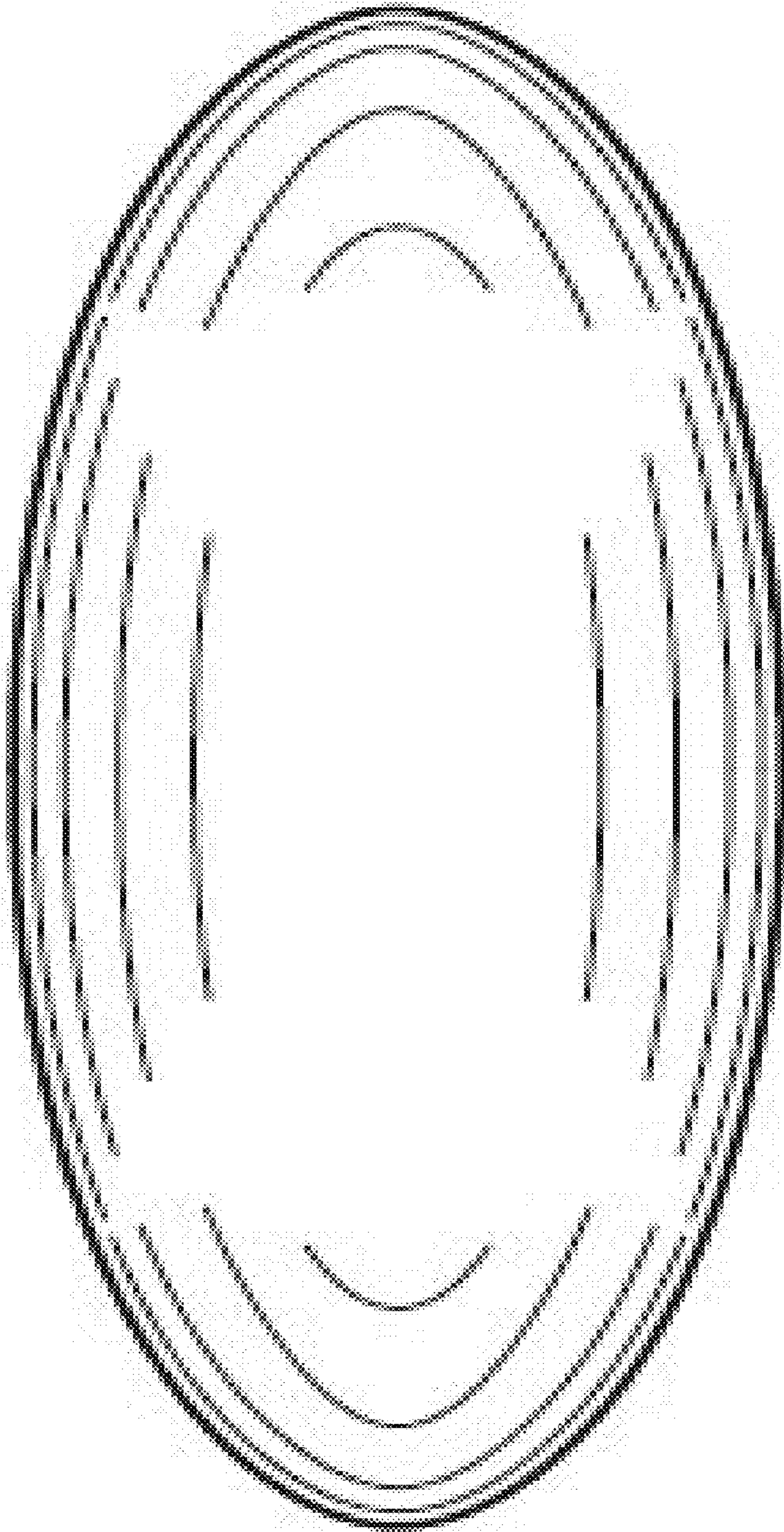


Figure 7