



US00D673452S

(12) **United States Design Patent**
Handy

(10) **Patent No.:** **US D673,452 S**

(45) **Date of Patent:** **** Jan. 1, 2013**

(54) **BOTTLE**

(75) Inventor: **Francis J. Handy**, Kentfield, CA (US)

(73) Assignee: **Method Products, Inc.**, San Francisco, CA (US)

(**) Term: **14 Years**

(21) Appl. No.: **29/361,769**

(22) Filed: **May 14, 2010**

(51) **LOC (9) Cl.** **09-01**

(52) **U.S. Cl.** **D9/500**

(58) **Field of Classification Search** D9/500,
D9/502-505, 516, 530, 537-540, 545, 549,
D9/558, 574-575, 682, 686, 688-692; D7/300,
D7/589, 591, 597-598; D24/224; 215/379,
215/382-384; 220/660, 662, 669, 675
See application file for complete search history.

(56) **References Cited**

U.S. PATENT DOCUMENTS

1,164,848	A	12/1915	Neukirchen	
1,309,948	A	7/1919	Kositchek	
D59,583	S	11/1921	Green	
D93,524	S	* 10/1934	Seidner	D9/667
2,059,748	A	11/1936	Rose	
D117,266	S	* 10/1939	Gerhart	D9/500
D120,672	S	* 5/1940	Harris	D9/665
D136,501	S	* 10/1943	Habif	D9/503
D139,381	S	11/1944	Harris	
2,576,416	A	11/1951	Randlett	
D189,374	S	11/1960	Harris	
2,990,076	A	6/1961	Stull	
3,002,722	A	10/1961	Cote	
D207,925	S	6/1967	Koenigsberg	
D212,463	S	* 10/1968	Vanderhyde	D9/450
D234,747	S	4/1975	Sanders	
D263,807	S	* 4/1982	Kingsford	D9/504
D386,412	S	* 11/1997	Heinz	D9/500
D409,051	S	5/1999	Huang	
D464,265	S	* 10/2002	Elliot et al.	D9/504
D472,147	S	* 3/2003	Herrmann	D9/504

D484,055	S	* 12/2003	Feigenbaum	D9/500
D522,369	S	* 6/2006	Penn	D9/520
D538,474	S	3/2007	Sheppard et al.	
D542,135	S	* 5/2007	Machmadow	D9/503
D563,222	S	* 3/2008	Yamanaka et al.	D9/503
D577,126	S	* 9/2008	Woeste	D24/224
D614,032	S	* 4/2010	Handy	D9/503
D616,261	S	* 5/2010	Lundstrom	D7/679
D616,262	S	* 5/2010	Lundstrom	D7/679

OTHER PUBLICATIONS

“Foaming Hand Eucalyptus Mint”, <http://www.methodhome.com/all-products/green-herbaceous/eucalyptus-mint/563.aspx>, downloaded Apr. 29, 2010.

Co-pending U.S. Appl. No. 29/380,756, Inventor Francis J. Handy, filed Dec. 10, 2010 (Not Published).

Office Action of Appl. No. JP 2010-024830, Issued Apr. 14, 2011.

* cited by examiner

Primary Examiner — Ian Simmons

Assistant Examiner — Dana L Meyrow

(74) *Attorney, Agent, or Firm* — Sterne, Kessler, Goldstein & Fox P.L.L.C.

(57) **CLAIM**

The ornamental design for a bottle, as shown and described.

DESCRIPTION

FIG. 1 is a front perspective view of a bottle showing my new design;

FIG. 2 is a side view thereof;

FIG. 3 is another side view thereof;

FIG. 4 is a rear view thereof;

FIG. 5 is a front view thereof;

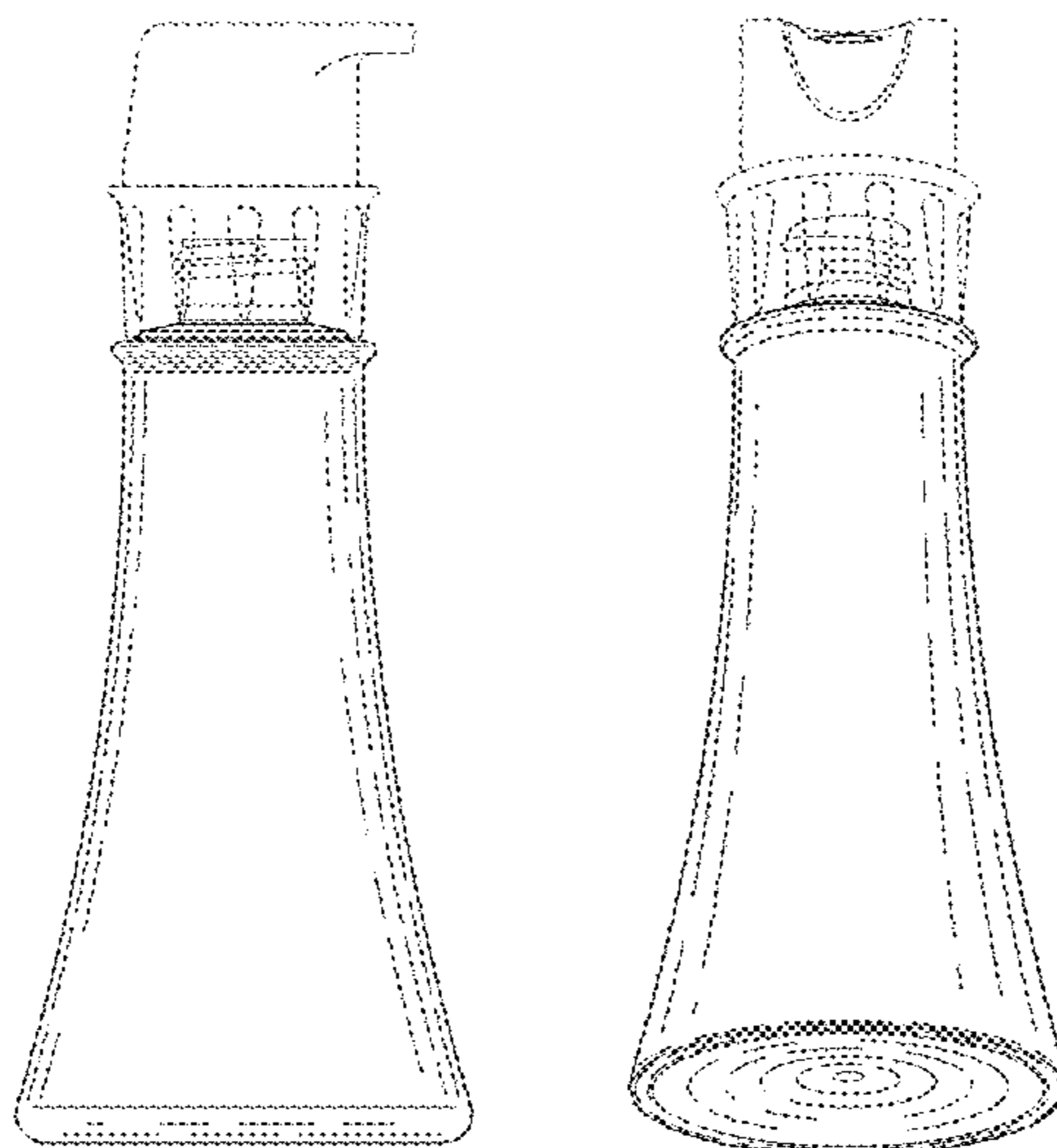
FIG. 6 is a top plan view thereof;

FIG. 7 is a bottom plan view thereof; and,

FIG. 8 is a bottom perspective view thereof.

The broken lines show portions of the bottle which form no part of the claimed design.

1 Claim, 7 Drawing Sheets



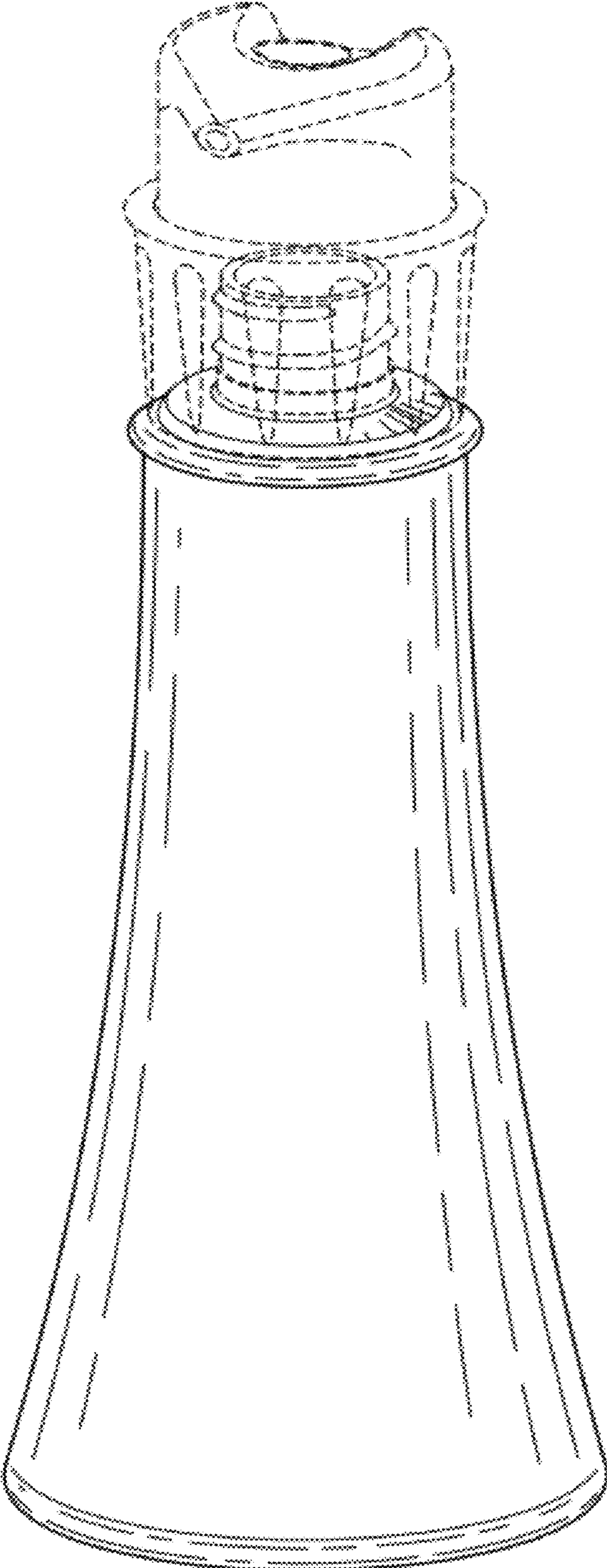


FIG. 1

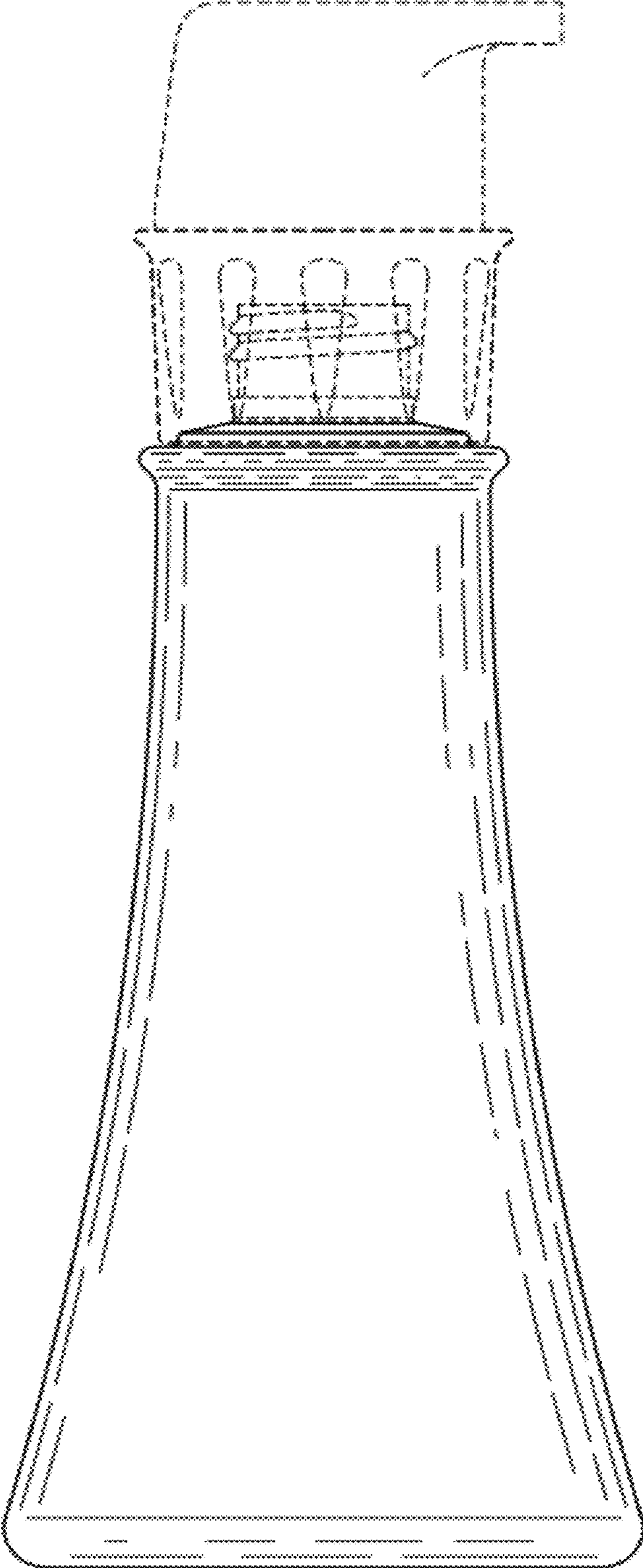


FIG. 2

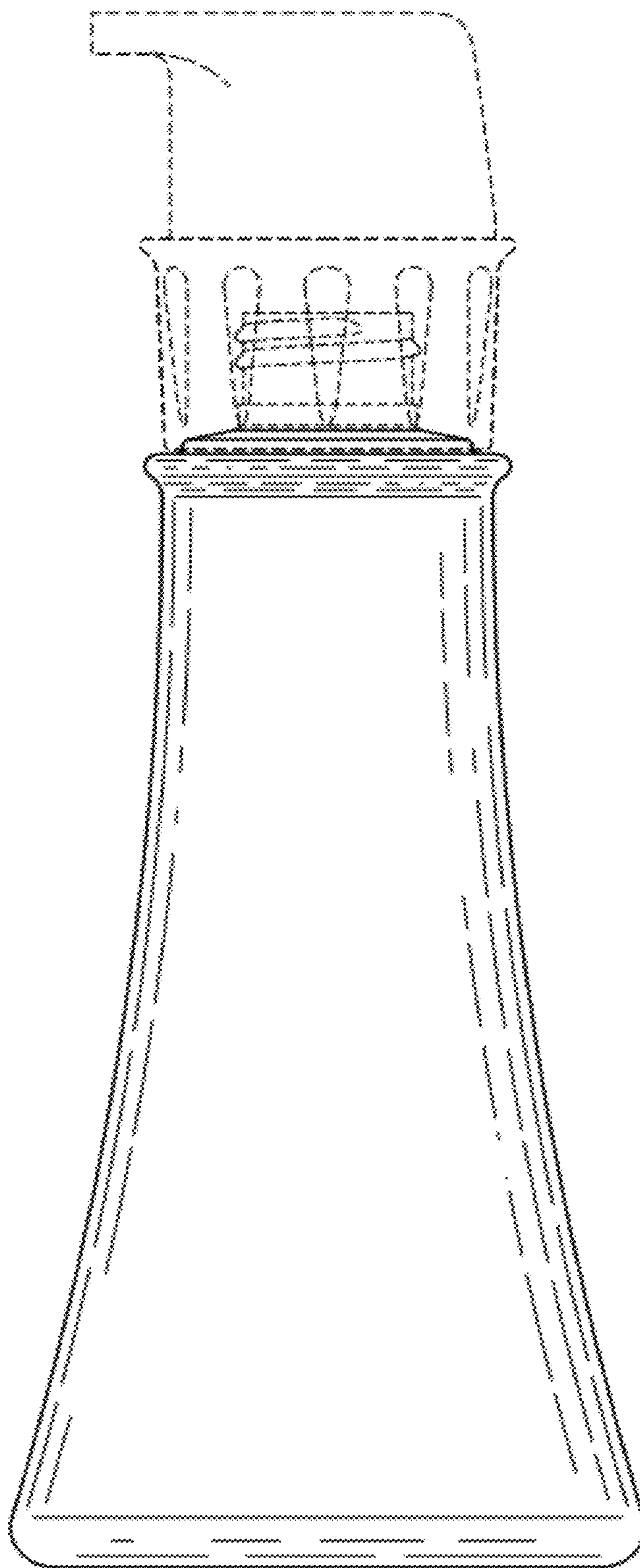


FIG. 3

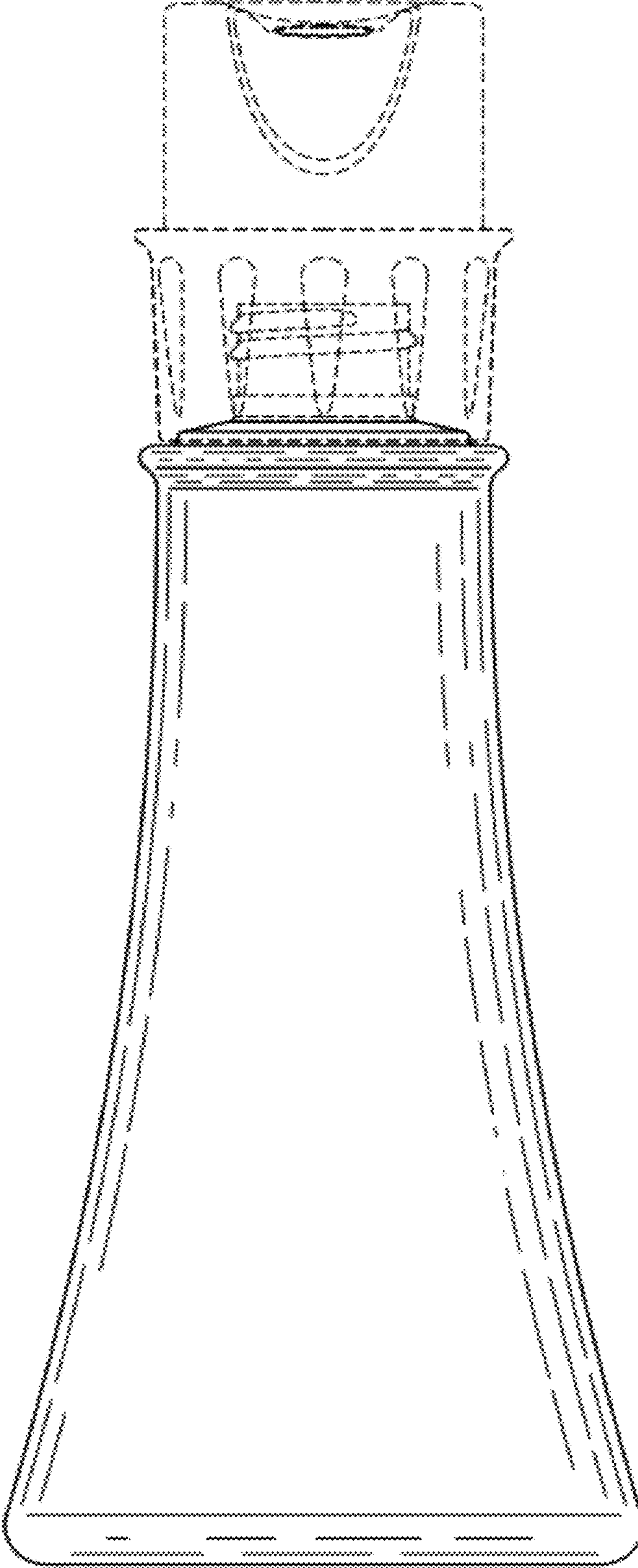


FIG. 4

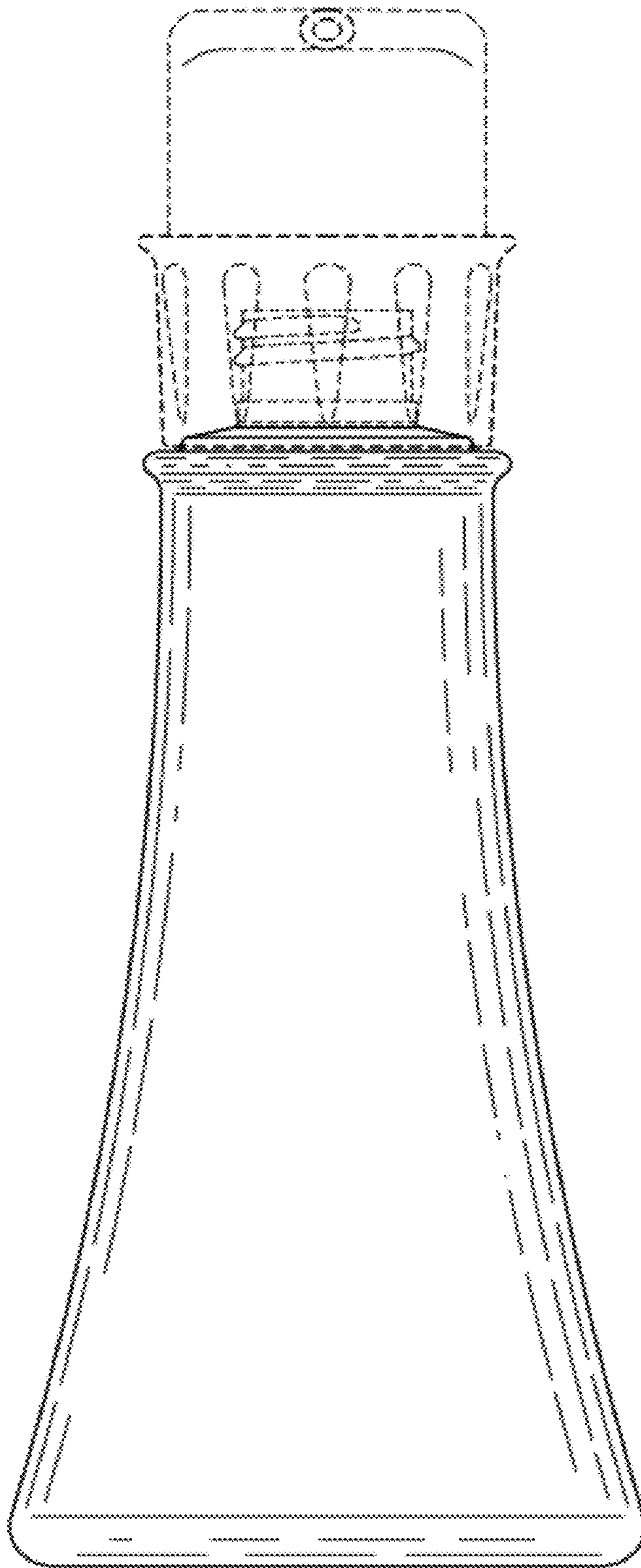


FIG. 5

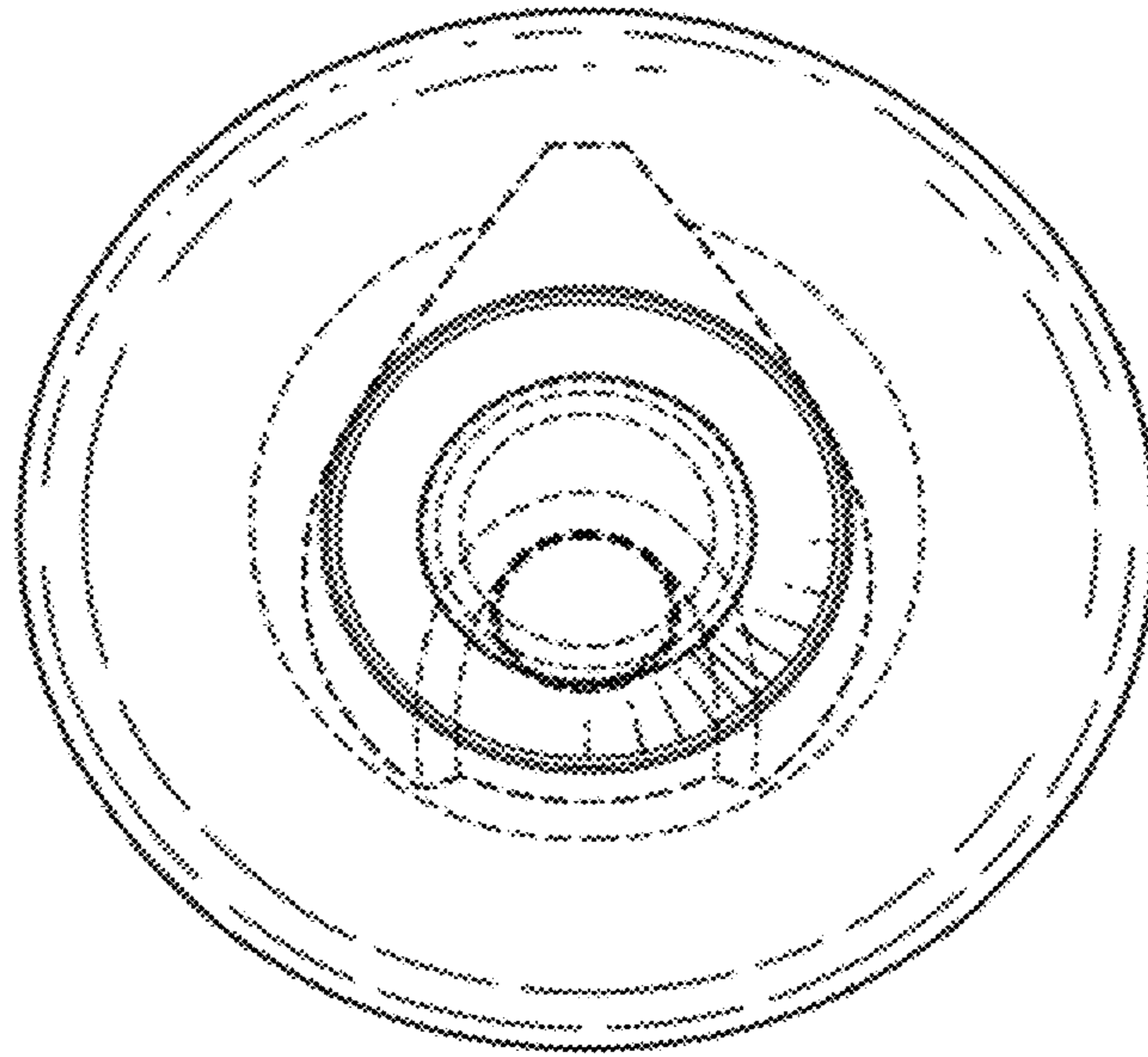


FIG. 6

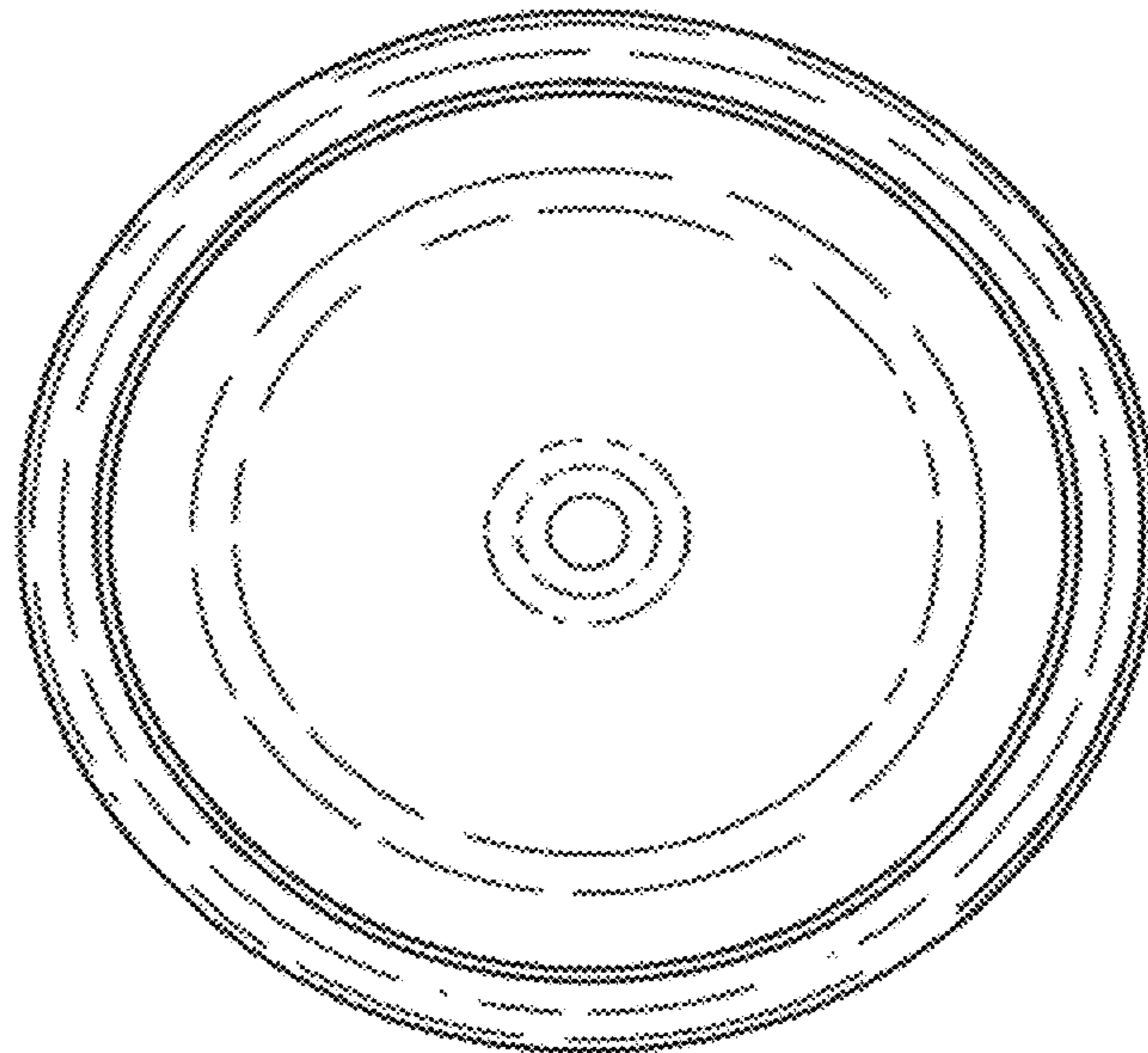


FIG. 7

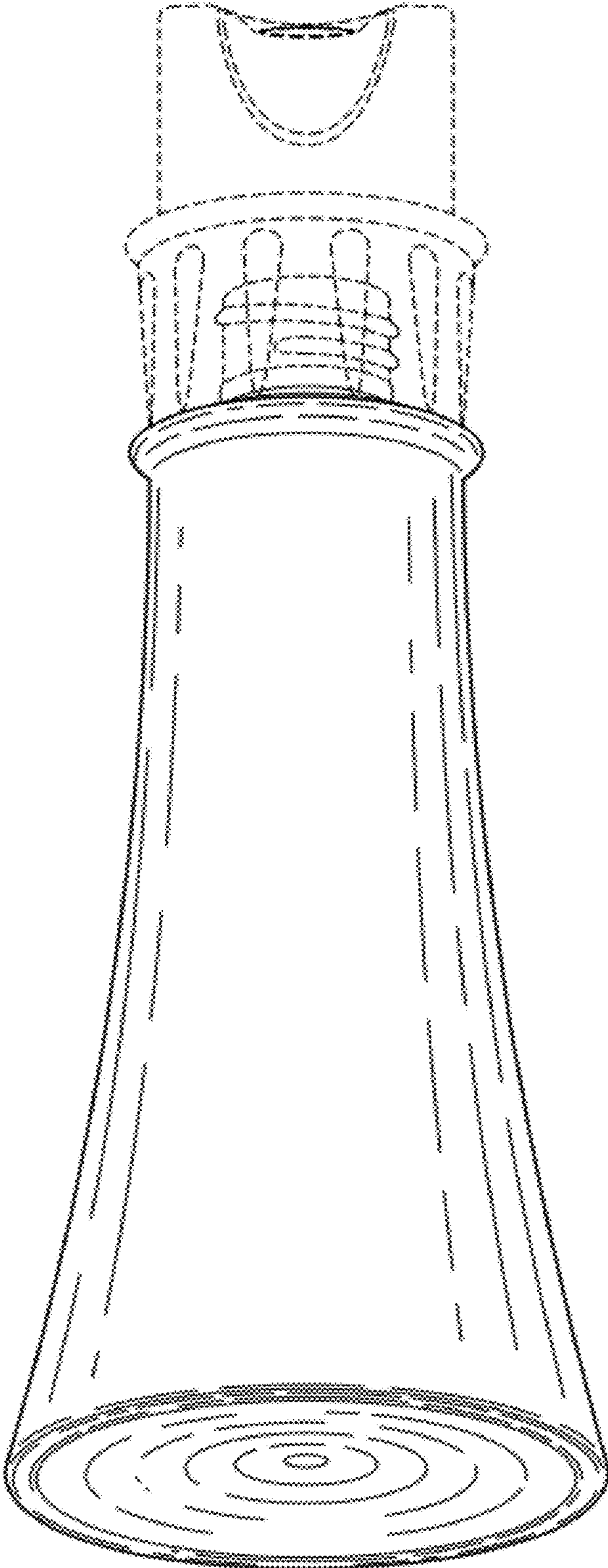


FIG. 8