



US00D673451S

(12) **United States Design Patent**
Harvey et al.

(10) **Patent No.:** **US D673,451 S**

(45) **Date of Patent:** **** Jan. 1, 2013**

(54) **FOOD CONTAINER LID**

(75) Inventors: **Katie Harvey**, Claremont, CA (US);
Ayberk Abayhan, Lake Bluff, IL (US);
Tom Guerin, Chicago, IL (US)

(73) Assignee: **Pactiv LLC**, Lake Forest, IL (US)

(**) Term: **14 Years**

(21) Appl. No.: **29/412,700**

(22) Filed: **Feb. 7, 2012**

(51) **LOC (9) Cl.** **09-07**

(52) **U.S. Cl.** **D9/452; D7/392.1; D9/454**

(58) **Field of Classification Search** D9/772,
D9/763, 746, 529, 504, 454, 443, 435, 434,
D9/428, 424, 439, 452; D7/392.1, 629, 540;
D34/11, 7; D27/183-193; 220/711-717,
220/685, 658, 4.24, 4.23, 377, 309.1, 296,
220/284, 260, 258.5, 203.09; 215/347, 321,
215/307; 138/96 R; D13/119

See application file for complete search history.

(56) **References Cited**

U.S. PATENT DOCUMENTS

D99,096 S * 3/1936 Perry D9/453
D225,308 S * 12/1972 Barefoot D9/454
D313,297 S * 12/1990 Carducci-Cosgrove et al. D34/7

D320,562 S * 10/1991 Brester et al. D9/452
D512,913 S * 12/2005 Gauthier D9/450
D544,348 S * 6/2007 Szczesniak D9/453

OTHER PUBLICATIONS

U.S. Appl. No. 29/412,696, filed Feb. 7, 2012.

U.S. Appl. No. 29/412,698, filed Feb. 7, 2012.

* cited by examiner

Primary Examiner — Susan Bennett Hattan

(74) *Attorney, Agent, or Firm* — Baker Botts LLP

(57) **CLAIM**

The ornamental design for a food container lid, as shown and described.

DESCRIPTION

FIG. 1 is a perspective view of a food container lid of our design;

FIG. 2 is a front view of the food container lid of FIG. 1;

FIG. 3 is a right side view of the food container lid of FIG. 1;

FIG. 4 is a back view of the food container lid of FIG. 1;

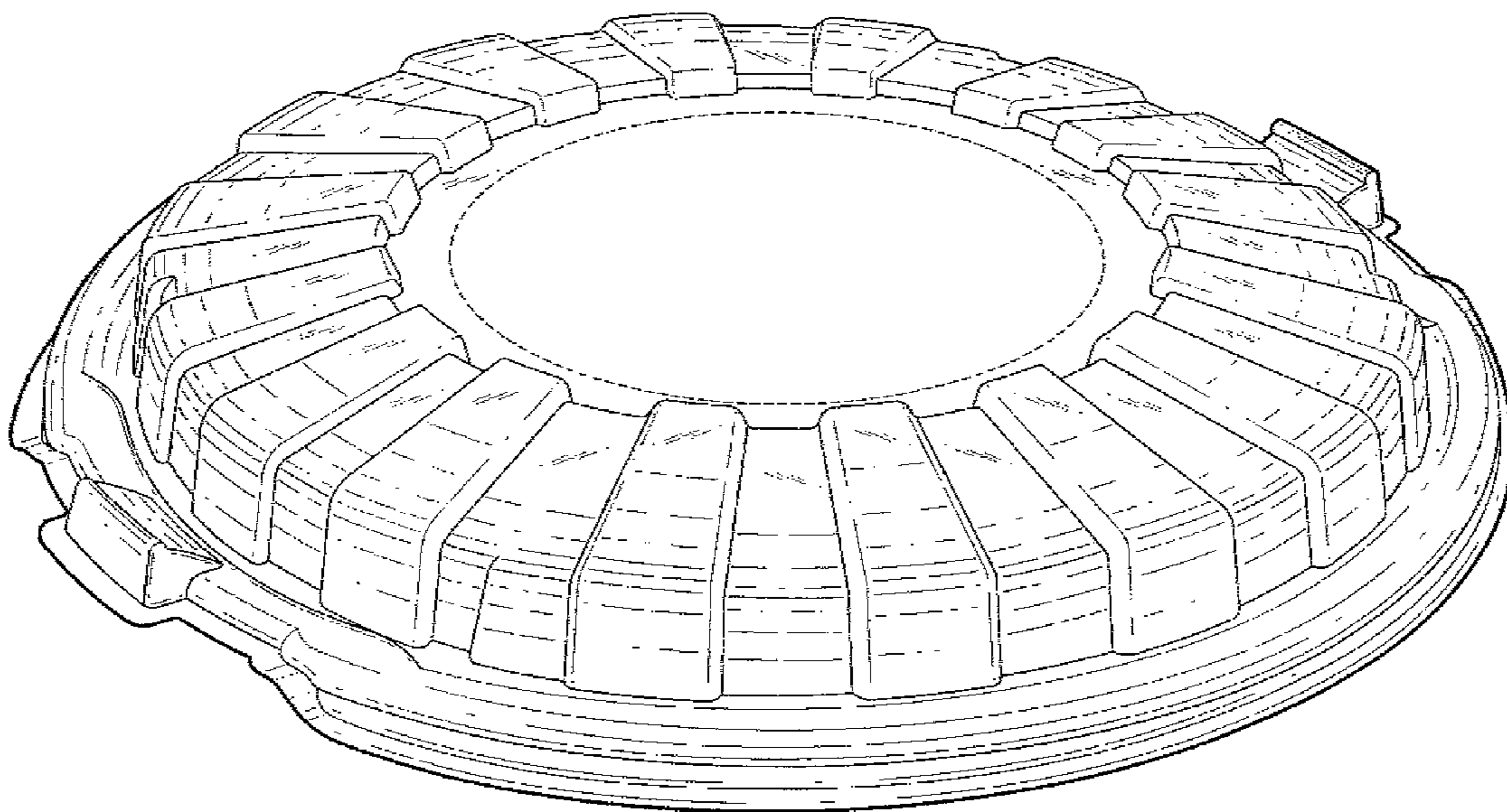
FIG. 5 is a left side view of the food container lid of FIG. 1;

FIG. 6 is a top view of the food container lid of FIG. 1; and,

FIG. 7 is a bottom view of the food container lid of FIG. 1.

The broken lines shown in the Figures are included for the purpose of illustrating features in the lid, that form no part of the claimed design.

1 Claim, 7 Drawing Sheets



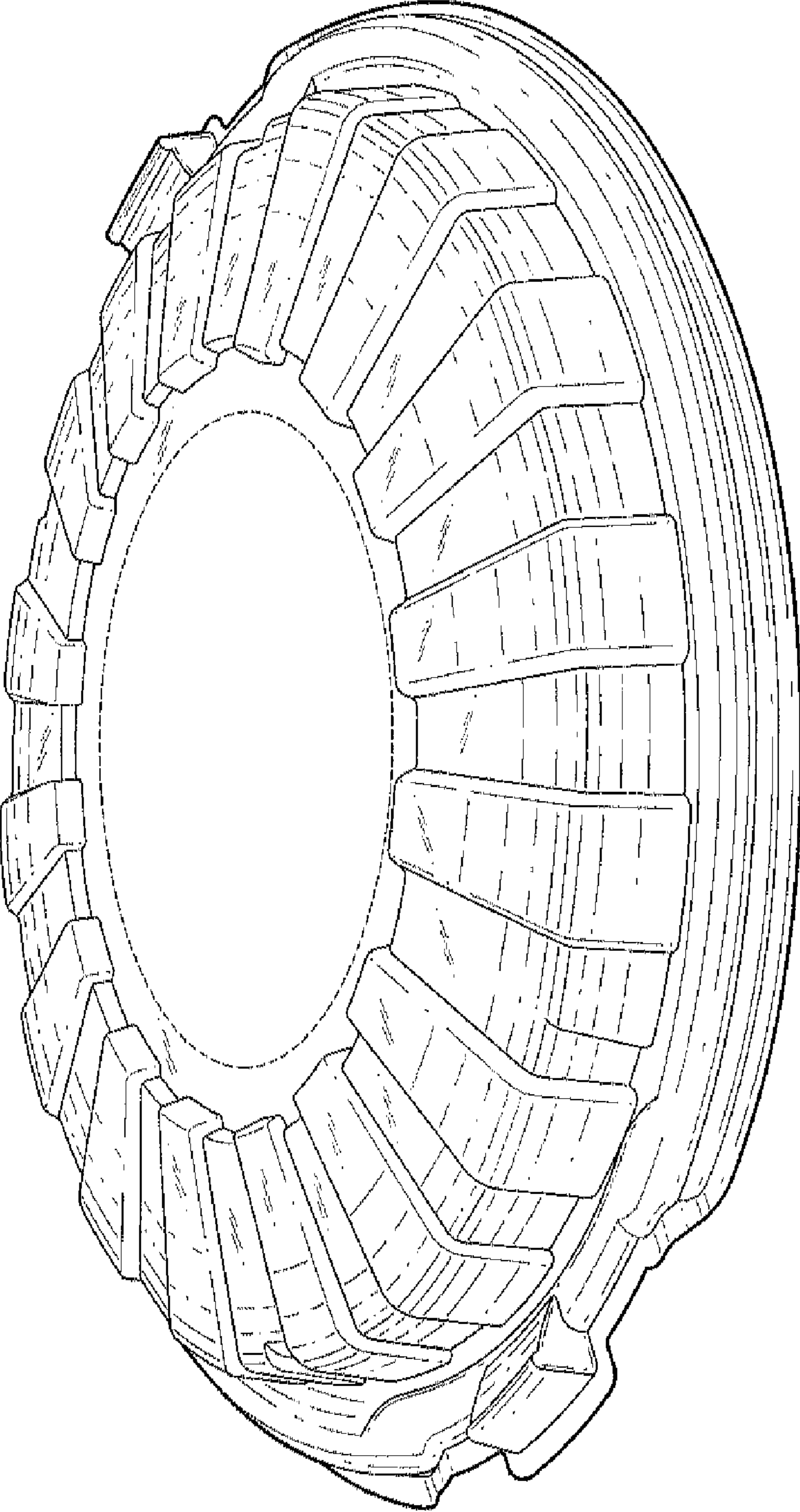


FIG. 1

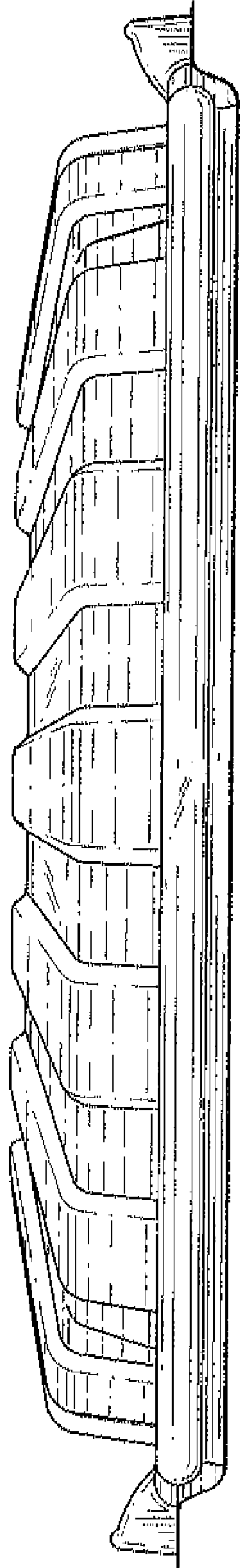


FIG. 2

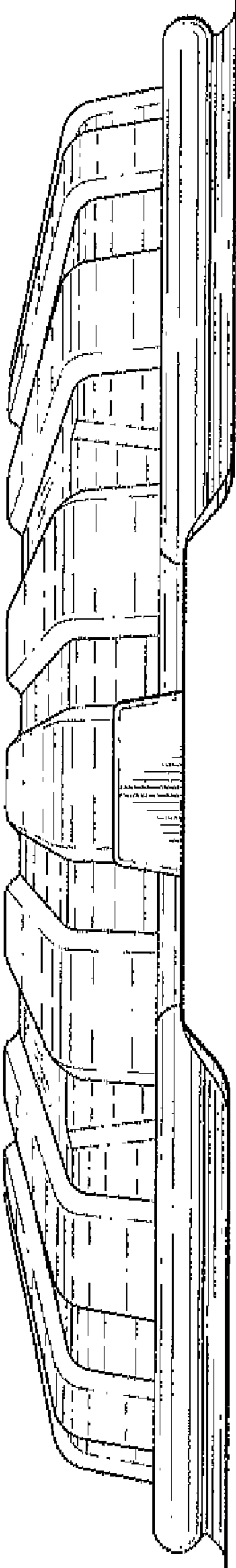


FIG. 3

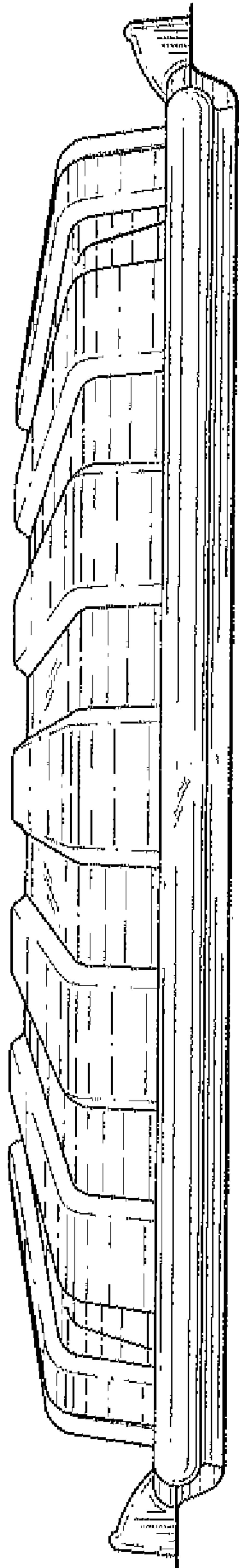


FIG. 4

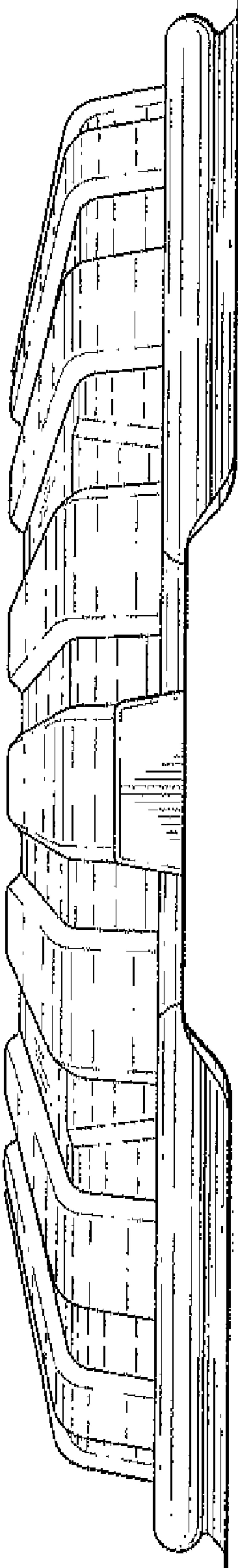


FIG. 5

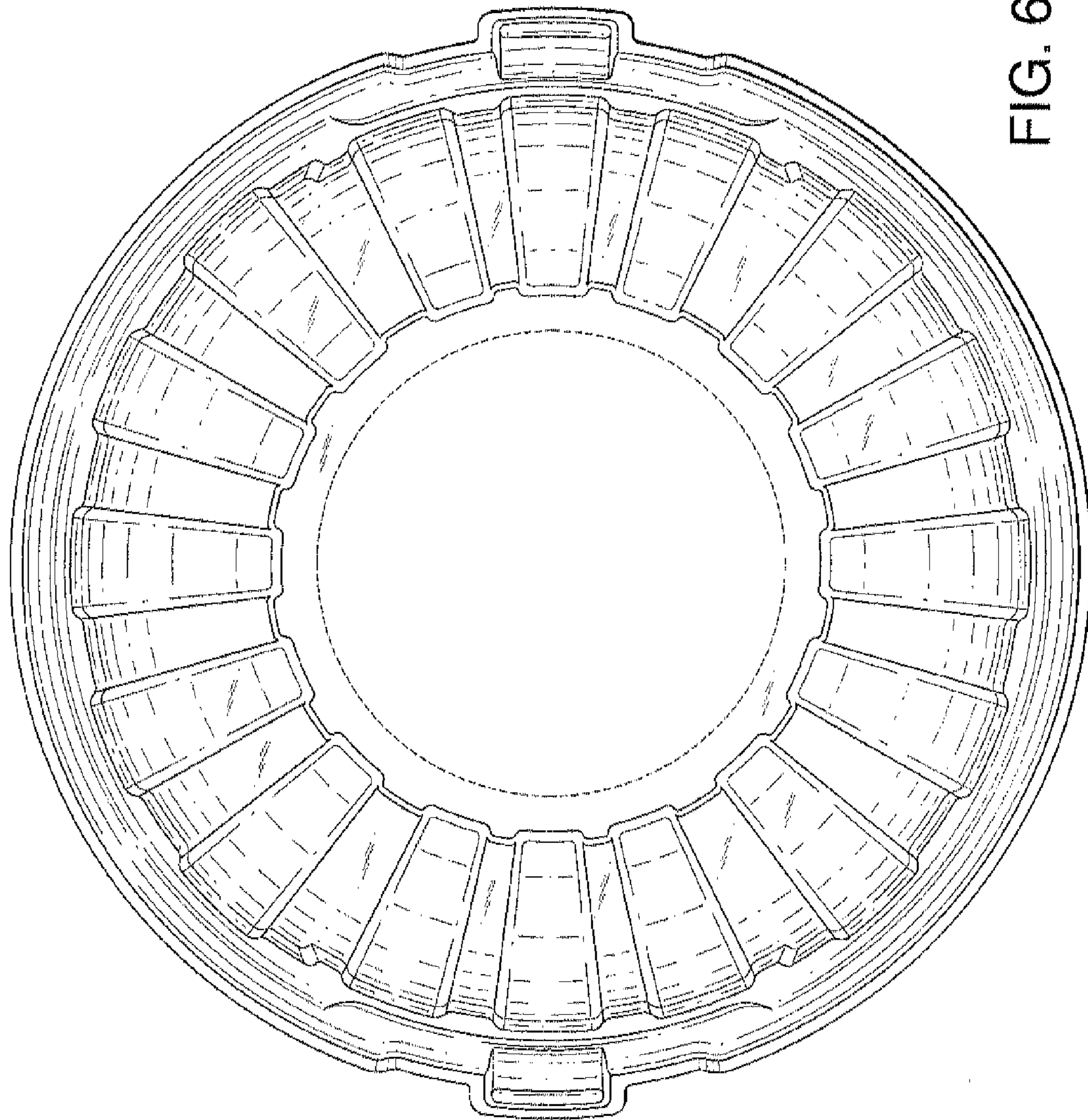


FIG. 6

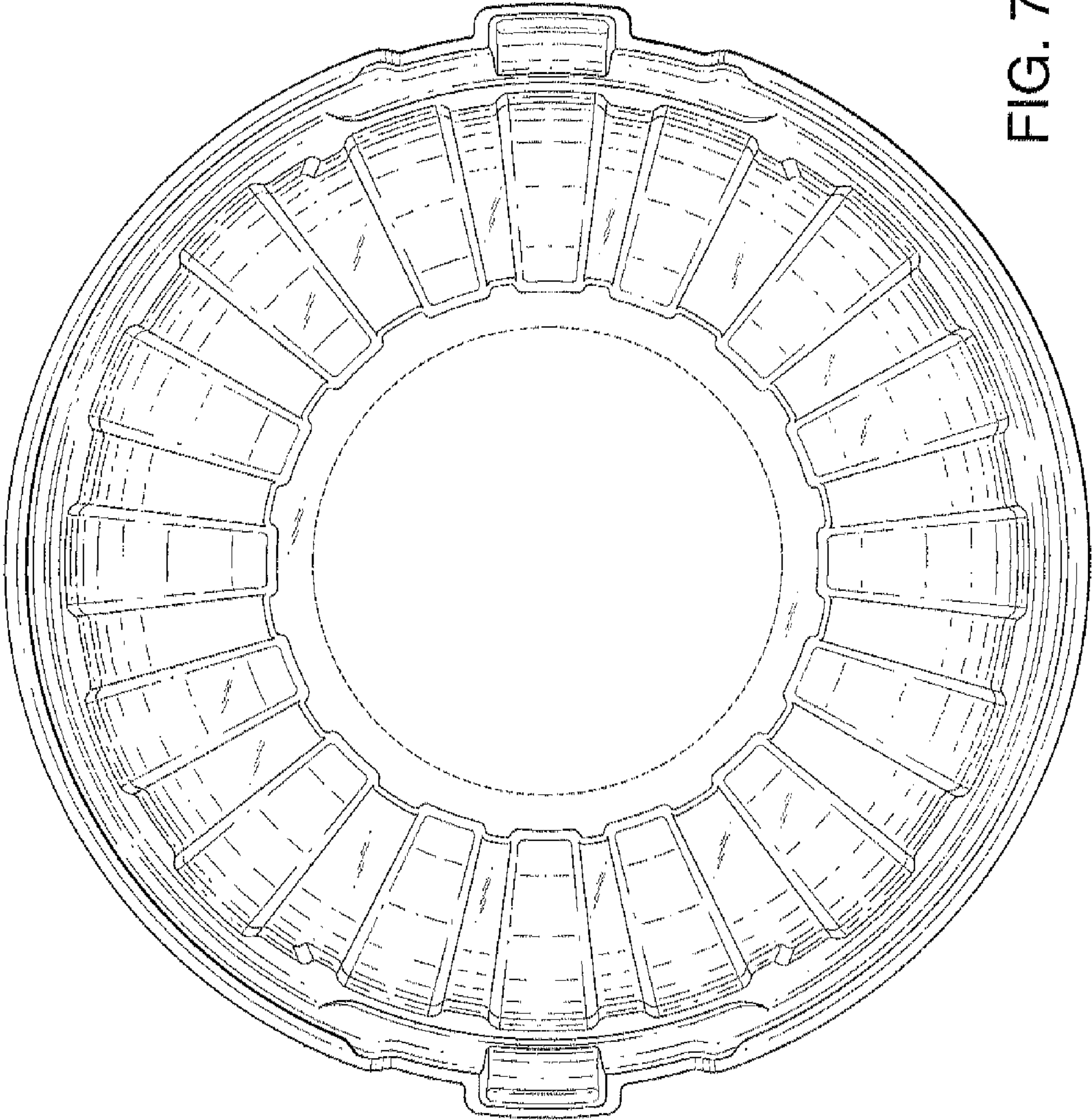


FIG. 7