



US00D673449S

(12) **United States Design Patent**
Lee

(10) **Patent No.:** **US D673,449 S**
(45) **Date of Patent:** **** Jan. 1, 2013**

(54) **BOTTLE CAP**

(75) Inventor: **Hye Jin Lee**, Seoul (KR)

(73) Assignee: **LG Household & Health Care Ltd.**
(KR)

(**) Term: **14 Years**

(21) Appl. No.: **29/396,906**

(22) Filed: **Jul. 8, 2011**

(30) **Foreign Application Priority Data**

Mar. 23, 2011 (KR) 30-2011-0011594

(51) **LOC (9) Cl.** **09-07**

(52) **U.S. Cl.** **D9/451**

(58) **Field of Classification Search** D9/600,
D9/602-604, 500-504, 516, 434, 451-454;
D7/511, 514-516, 625, 392.1, 396.1, 396.2;
D3/270-271.1; 206/494, 457, 527; 220/890;
215/230, 252, 329

See application file for complete search history.

(56) **References Cited**

U.S. PATENT DOCUMENTS

D86,702 S * 4/1932 Delich D9/603
D99,759 S * 5/1936 Katchmakoff D7/516
D101,048 S * 9/1936 Kessler D9/451

* cited by examiner

Primary Examiner — Sandra Morris

(74) *Attorney, Agent, or Firm* — Lerner, David, Littenberg,
Krumholz & Mentlik, LLP

(57) **CLAIM**

The ornamental design for a bottle cap, as shown and described.

DESCRIPTION

FIG. 1 is a perspective view of a bottle cap;
FIG. 2 is a front elevational view thereof;
FIG. 3 is a rear elevational view thereof;
FIG. 4 is a left side elevational view thereof;
FIG. 5 is a right side elevational view thereof;
FIG. 6 is a top plan view thereof; and,
FIG. 7 is a bottom plan view thereof.
The surface(s) or portion(s) of the article not shown in the drawing or described in the specification form(s) no part of the claimed design.

1 Claim, 4 Drawing Sheets

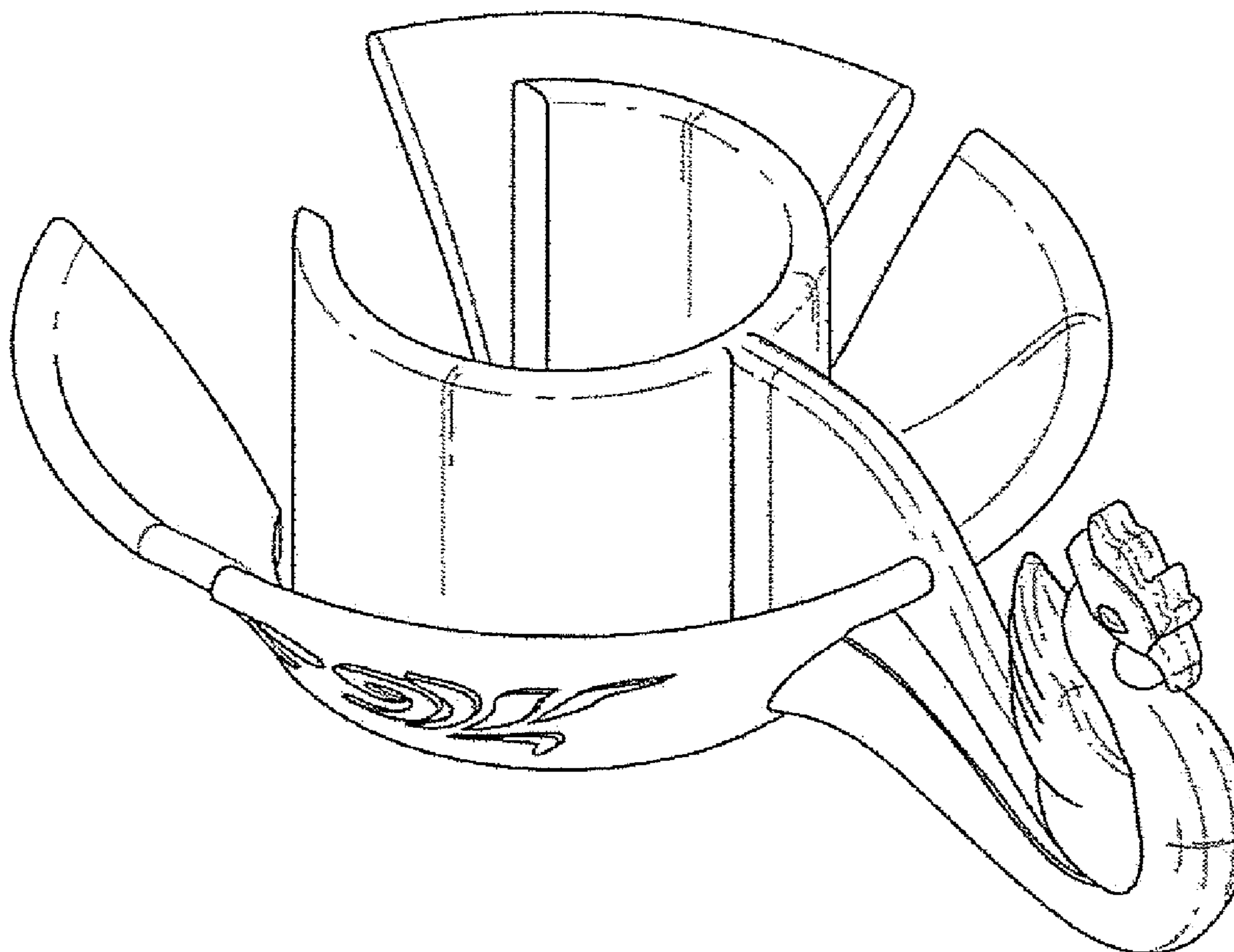


FIG. 1

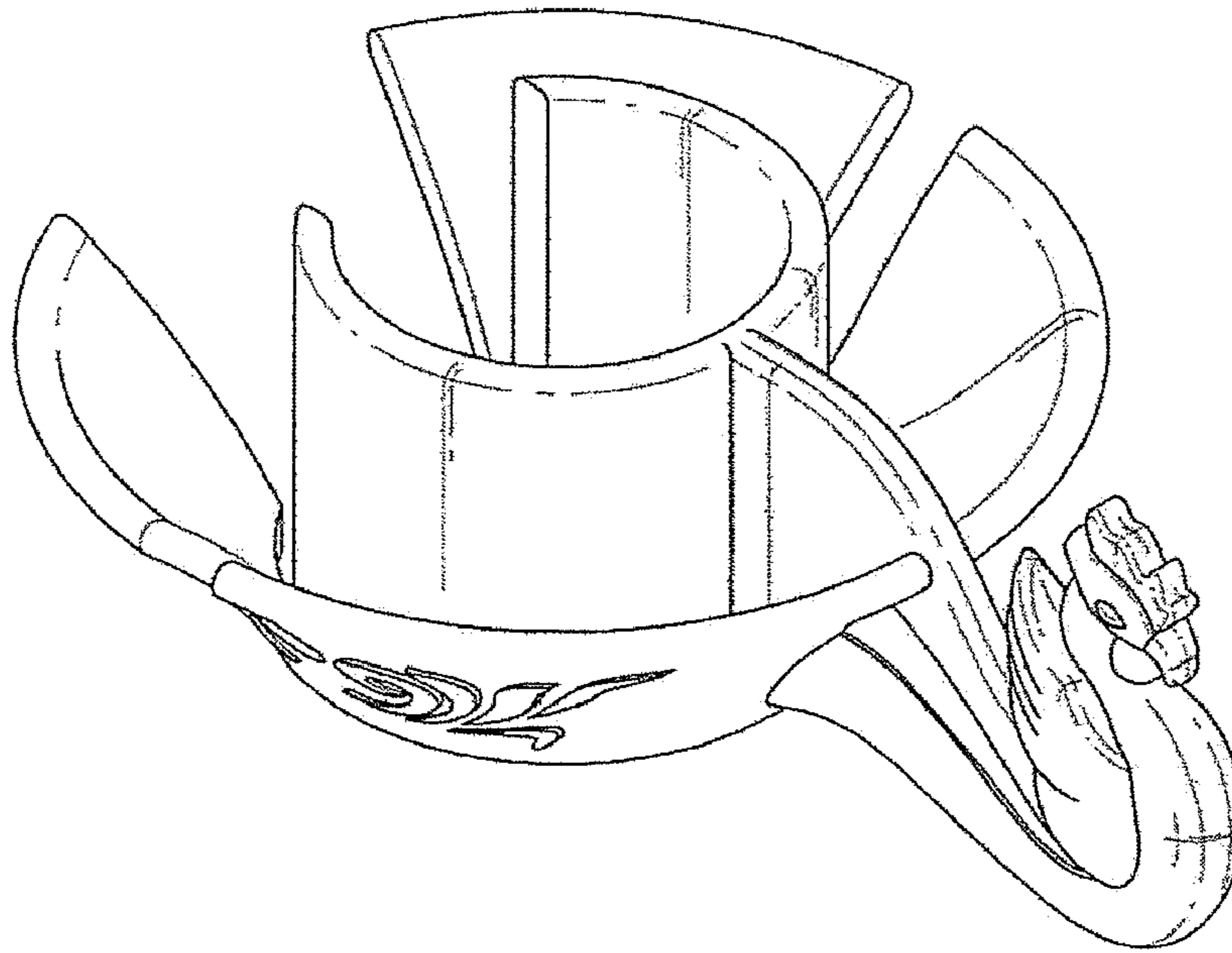


FIG. 2

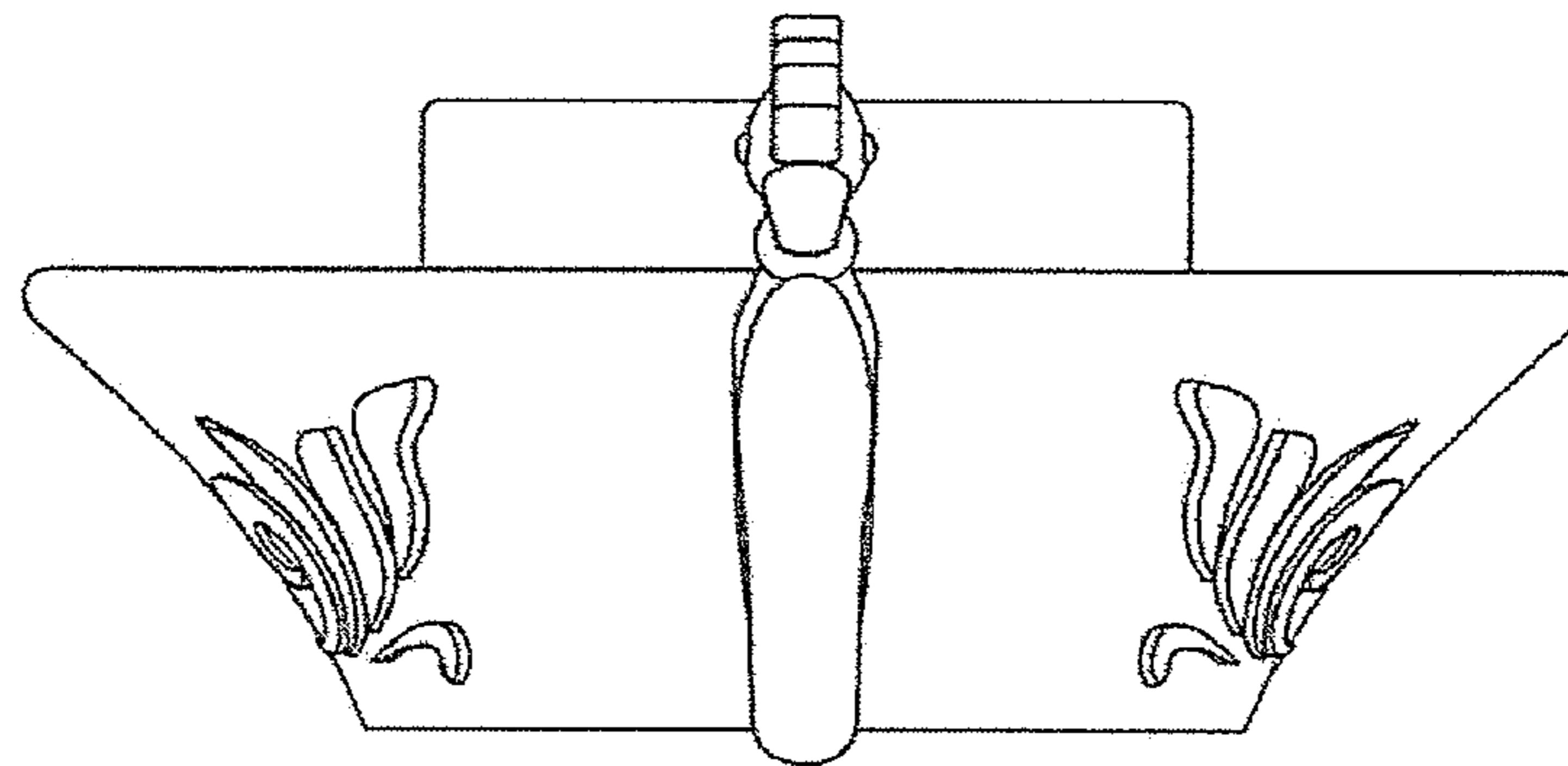


FIG. 3

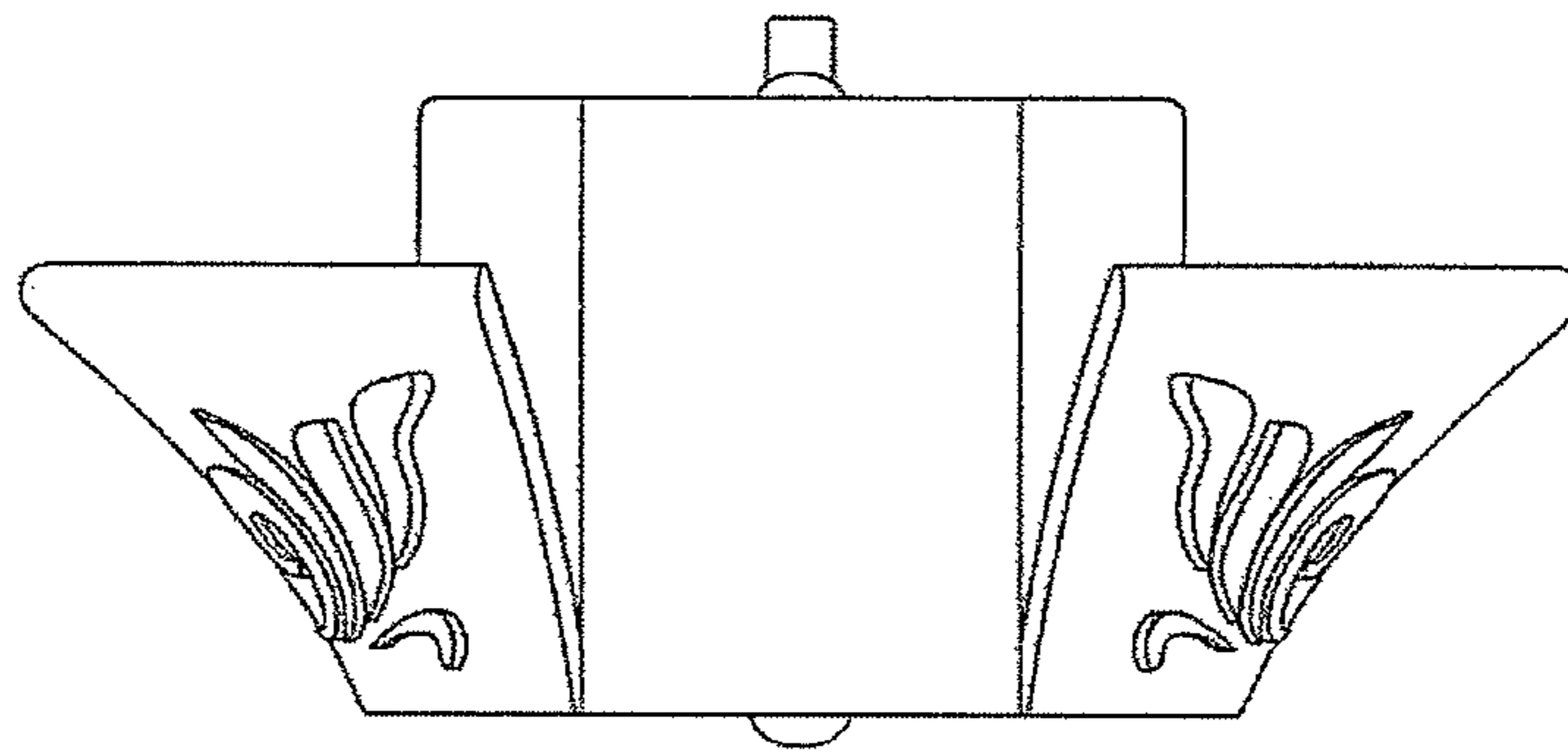


FIG. 4

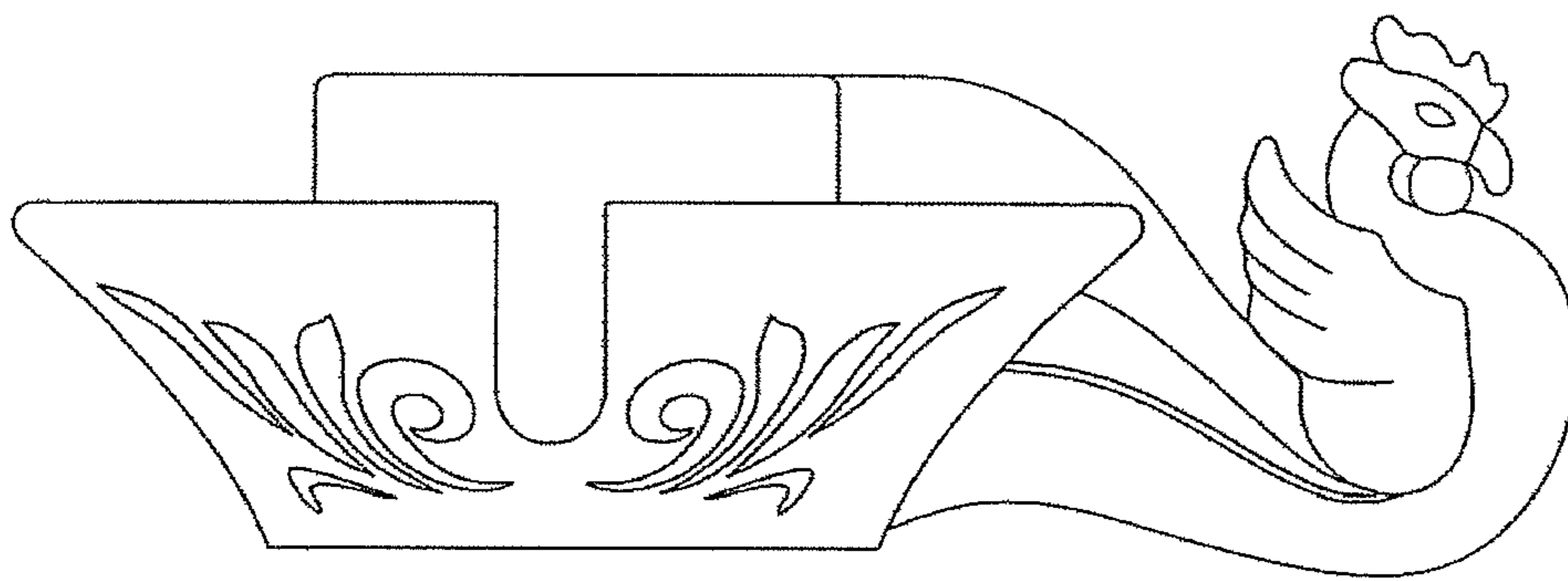


FIG. 5

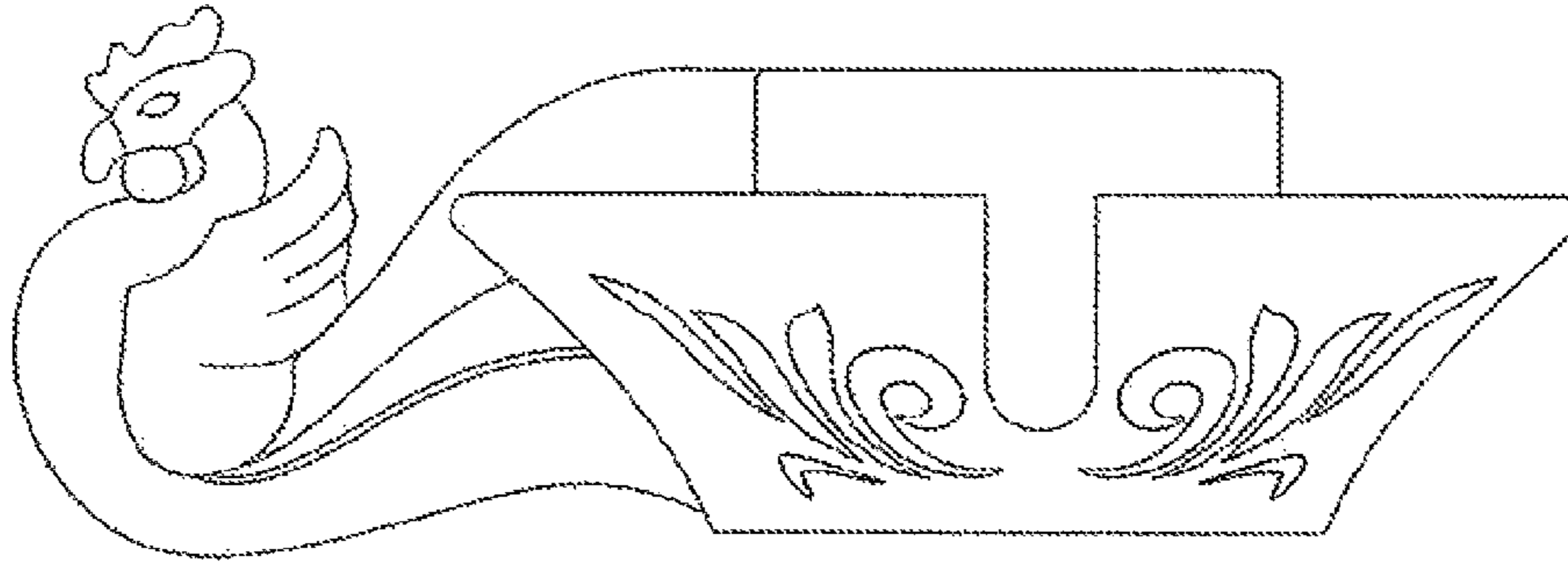


FIG. 6

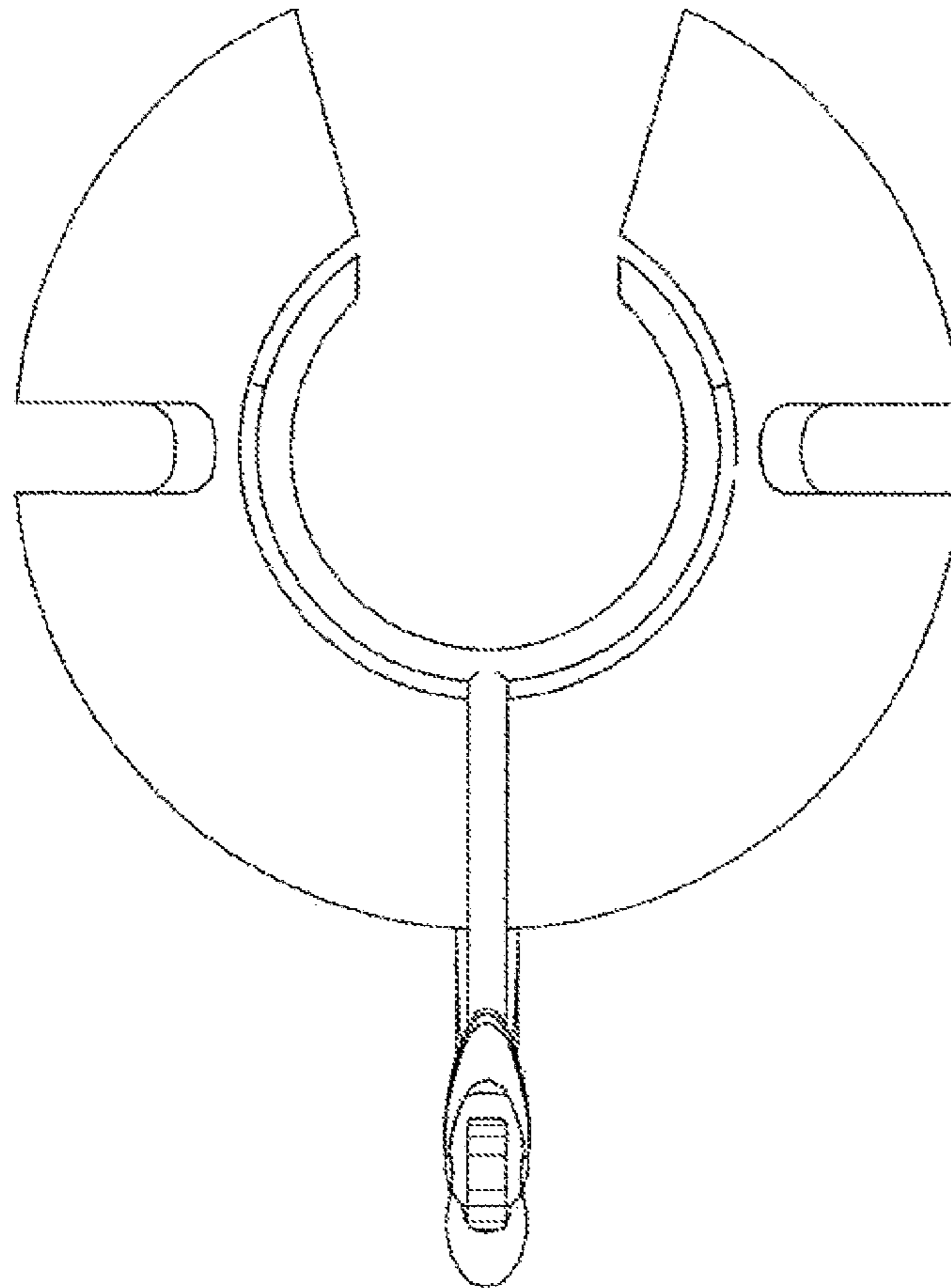


FIG. 7

