



US00D673447S

(12) **United States Design Patent**
Freeman et al.

(10) **Patent No.:** **US D673,447 S**
(45) **Date of Patent:** **** Jan. 1, 2013**

- (54) **CONTAINER**
- (75) Inventors: **Jennifer C. Freeman**, San Francisco, CA (US); **Cesar E. Ramirez**, Los Angeles, CA (US); **Gandhi B. Sifuentes**, West Covina, CA (US)
- (73) Assignees: **Direct Pack, Inc.**, Sun Valley, CA (US); **organicgirl LLC**, Salinas, CA (US)
- (**) Term: **14 Years**
- (21) Appl. No.: **29/417,864**
- (22) Filed: **Apr. 10, 2012**
- (51) **LOC (9) Cl.** **09-03**
- (52) **U.S. Cl.** **D9/424**
- (58) **Field of Classification Search** D9/414, D9/419, 423, 424, 425, 430, 431, 432, 761; D7/538, 549, 550.1; 206/499, 508, 557, 206/501; 220/23.4, 23.6, 315, 318, 500, 220/659, 669, 675, 696, 752, 760, 790, 793; 229/105, 117.09, 117.26, 189, 406, 407, 229/902, 905, 915.1
See application file for complete search history.

- D263,798 S 4/1982 Edwards
- D270,708 S 9/1983 Dart
- D272,595 S 2/1984 Chase et al.
- D272,971 S 3/1984 Tallon
- D275,165 S 8/1984 Grusin
- D276,216 S 11/1984 Michaud
- D277,167 S 1/1985 Dart
- D279,952 S 8/1985 Daenen et al.
- D280,605 S 9/1985 Karlik
- D280,964 S 10/1985 Wolff
- D281,048 S 10/1985 Wolff
- D281,229 S 11/1985 Tyler
- D282,245 S 1/1986 Yeung
- D282,808 S 3/1986 Daenen et al.
- D283,481 S 4/1986 Schmidt
- D284,253 S 6/1986 Carlson
- D284,254 S 6/1986 Carlson
- D286,729 S 11/1986 Tzifkansky et al.
- 4,700,842 A 10/1987 Grusin
- 4,787,527 A 11/1988 Monetti

(Continued)

Primary Examiner — Stella Reid
Assistant Examiner — Lauren Calve
(74) *Attorney, Agent, or Firm* — Frost Brown Todd LLC

(57) **CLAIM**
The ornamental design for a container, as shown and described.

(56) **References Cited**

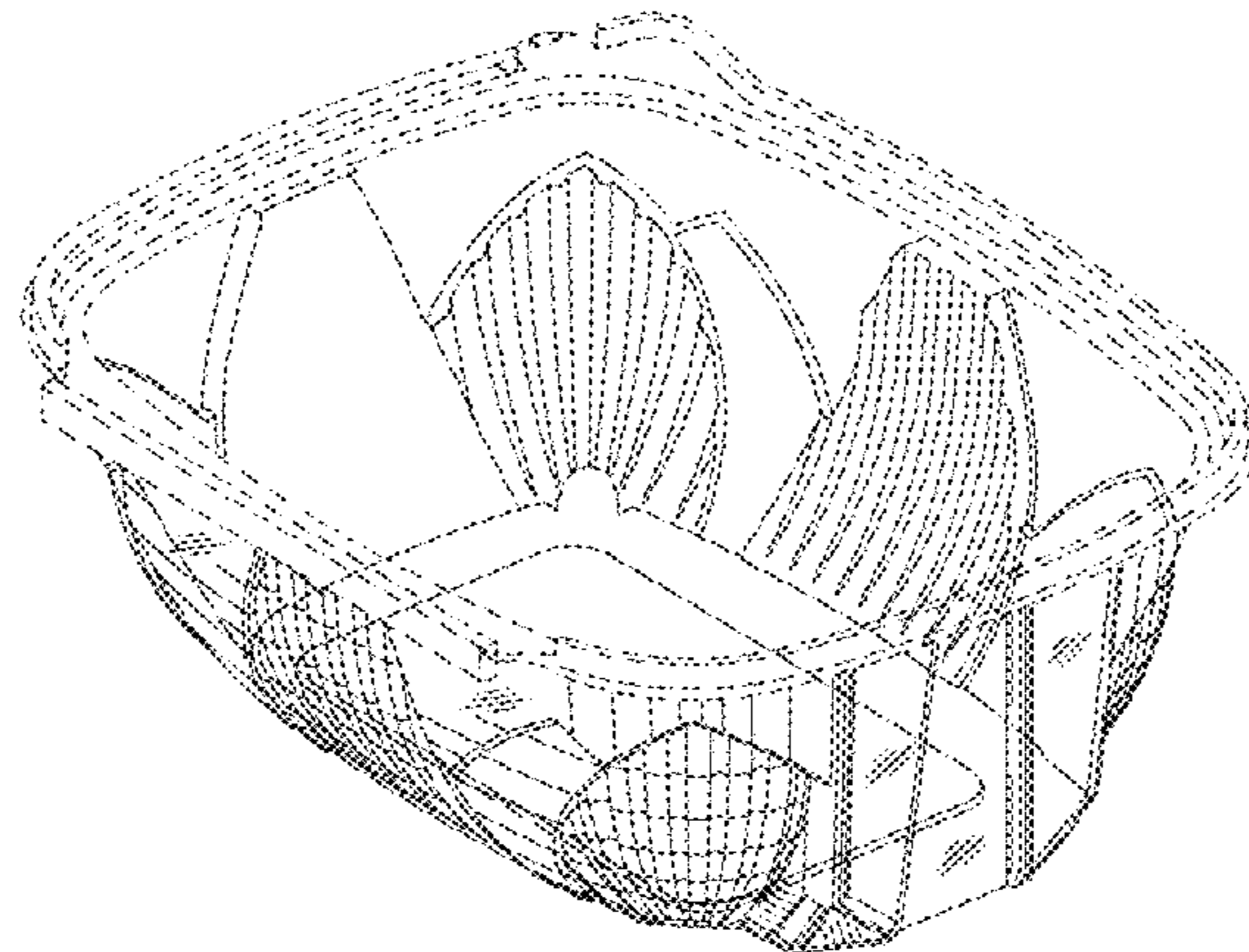
U.S. PATENT DOCUMENTS

- D205,868 S 9/1966 Immermann et al.
- D205,968 S 10/1966 Bostrom
- 3,394,861 A 7/1968 Truax
- D212,593 S 11/1968 Collie
- D212,594 S 11/1968 Collie
- 3,424,342 A 1/1969 Scopp et al.
- D213,310 S 2/1969 Collie
- D218,155 S 7/1970 Britt
- 3,589,554 A 6/1971 Smith
- 3,863,832 A 2/1975 Gordon et al.
- 3,902,540 A 9/1975 Commisso
- D251,657 S 4/1979 Jewell
- D253,456 S 11/1979 Payne
- D254,776 S 4/1980 Edwards
- D262,866 S 2/1982 Commisso
- D262,944 S 2/1982 Commisso
- D263,023 S 2/1982 Commisso

DESCRIPTION

FIG. 1 is a top perspective view of a container, showing our new design;
FIG. 2 is a bottom perspective view thereof;
FIG. 3 is a left elevation view thereof;
FIG. 4 is a right elevation view thereof;
FIG. 5 is a rear elevation view thereof;
FIG. 6 is a front elevation view thereof;
FIG. 7 is a top plan view thereof; and,
FIG. 8 is a bottom plan view thereof.
The lid, hinge, and lid retention features shown in broken lines are unclaimed environment, and form no part of the claimed design.

1 Claim, 8 Drawing Sheets



US D673,447 S

U.S. PATENT DOCUMENTS					
4,819,824 A	4/1989	Longbottom et al.	D478,786 S	8/2003	Kotsonis
D304,908 S	12/1989	Natori	D479,401 S	9/2003	Claypool
D304,910 S	12/1989	Natori	D479,442 S	9/2003	Bergas
D308,826 S	6/1990	Cyr et al.	D479,673 S	9/2003	Kim
4,976,370 A	12/1990	Cassel	D479,954 S	9/2003	Kim
D317,569 S	6/1991	Lane, Sr.	D480,929 S	10/2003	Douglas
D322,757 S	12/1991	Payne	D481,910 S	11/2003	Kim
D325,847 S	5/1992	Wolff	D483,622 S	12/2003	Kim
D330,490 S	10/1992	Turner	D484,367 S	12/2003	Kim
D330,830 S	11/1992	Baranyai	D490,278 S	5/2004	Welsh
D330,996 S	11/1992	Smith et al.	D496,560 S	9/2004	Lerner
D332,204 S	1/1993	Carlson	D501,403 S	* 2/2005	Wilcock et al. D9/425
D334,114 S	3/1993	Narsutis	D502,096 S	* 2/2005	Wilcock et al. D9/425
D339,744 S	9/1993	Seppala	D503,336 S	3/2005	Tucker et al.
5,258,212 A	11/1993	Tomaru et al.	D505,839 S	6/2005	Stanos et al.
D344,022 S	2/1994	Lesquir	D505,840 S	6/2005	Schultz et al.
D348,394 S	7/1994	Dreyer	D509,111 S	9/2005	Vovan
D348,805 S	7/1994	Cautereels	D509,411 S	9/2005	Laib et al.
5,339,973 A	8/1994	Edwards et al.	D509,995 S	9/2005	Laib et al.
D350,880 S	9/1994	Van Valkenburg et al.	D511,942 S	11/2005	Laib et al.
D351,090 S	10/1994	Narsutis	D513,376 S	1/2006	Shannon
D353,327 S	12/1994	Castner et al.	7,017,776 B1	3/2006	Hupp
D357,161 S	4/1995	Booten	D521,812 S	5/2006	Kim
5,409,126 A	4/1995	DeMars	D524,645 S	7/2006	LaMasney
D358,328 S	5/1995	Huerto et al.	D526,857 S	8/2006	Littmann
D365,251 S	12/1995	Lo	D529,798 S	10/2006	Snedden et al.
D366,397 S	1/1996	Zimmerman	D530,198 S	10/2006	Snedden et al.
D367,211 S	2/1996	Cautereels	D533,080 S	12/2006	Darin
D367,609 S	3/1996	Frank et al.	D534,039 S	12/2006	Laib et al.
D372,174 S	7/1996	Arduini	D536,992 S	2/2007	Garg et al.
D373,953 S	9/1996	Gale	D539,100 S	3/2007	Zhao
D377,739 S	2/1997	Carlson	D540,192 S	4/2007	Darin
D378,039 S	2/1997	Ferris	D540,666 S	4/2007	Ramirez et al.
D379,138 S	5/1997	Carlson	D541,598 S	5/2007	Kim
D380,349 S	7/1997	Indekeu	D541,649 S	5/2007	Ramirez et al.
D381,560 S	7/1997	Indekeu	D544,762 S	6/2007	Zimmerman
D384,247 S	9/1997	Smith et al.	D546,632 S	7/2007	Oberloier
D386,042 S	11/1997	Miller	D551,515 S	9/2007	Ablo et al.
D392,881 S	3/1998	Bulcher et al.	D553,444 S	10/2007	De Groote et al.
D403,924 S	1/1999	Carlson	D553,489 S	10/2007	Lambert et al.
D407,014 S	3/1999	McCann	D553,490 S	10/2007	Yang
D408,733 S	4/1999	McCann	D554,498 S	11/2007	Lovett
D408,734 S	4/1999	McCann	D554,502 S	11/2007	Hoffman et al.
D409,484 S	5/1999	Tasker	D554,988 S	11/2007	Sim
D409,910 S	* 5/1999	Hayes et al. D9/429	D556,571 S	12/2007	Jalet
D414,080 S	9/1999	Bolwien	D557,601 S	12/2007	Minidus
D415,935 S	11/1999	Martinez	D557,993 S	12/2007	Stamper et al.
D418,415 S	1/2000	Hayes et al.	D559,042 S	1/2008	De Groote et al.
D418,716 S	1/2000	Haley	D562,640 S	2/2008	Tucker et al.
D419,829 S	2/2000	Wilson et al.	D566,482 S	4/2008	Tucker et al.
D420,859 S	2/2000	Loew et al.	D566,484 S	4/2008	George
D428,310 S	7/2000	Zettle et al.	D569,243 S	5/2008	Kidd et al.
6,093,460 A	* 7/2000	Iwaya 428/34.2	D577,578 S	9/2008	Lynn et al.
D437,685 S	2/2001	Liu	D581,266 S	* 11/2008	Vovan D9/429
D440,470 S	4/2001	Tucker et al.	D583,659 S	12/2008	Lyon et al.
D440,830 S	4/2001	Tucker et al.	D587,109 S	2/2009	Lyon et al.
D443,184 S	6/2001	Maxwell et al.	D588,451 S	3/2009	Snedden et al.
D443,798 S	6/2001	Tucker et al.	D589,342 S	3/2009	Maslowski
D445,649 S	7/2001	Maxwell et al.	D591,148 S	4/2009	Parikh et al.
D446,085 S	8/2001	Dretzka	D592,018 S	5/2009	Back
D448,288 S	9/2001	Zettle et al.	7,568,589 B2	8/2009	Vovan
D449,495 S	10/2001	Tucker et al.	D601,011 S	9/2009	Maslowski
D455,321 S	4/2002	Jung et al.	D627,219 S	11/2010	Golota et al.
D458,085 S	6/2002	Kim	D628,475 S	12/2010	Snedden et al.
D461,123 S	* 8/2002	Hayes et al. D9/429	D646,563 S	* 10/2011	Bontrager et al. D9/425
D467,128 S	12/2002	Thonis et al.	D646,564 S	* 10/2011	Freeman et al. D9/425
D469,314 S	1/2003	Thonis et al.	8,104,635 B2	* 1/2012	Hayes et al. 220/675
D469,665 S	2/2003	Pettaweebuncha	2004/0016762 A1	* 1/2004	Hayes et al. 220/669

* cited by examiner

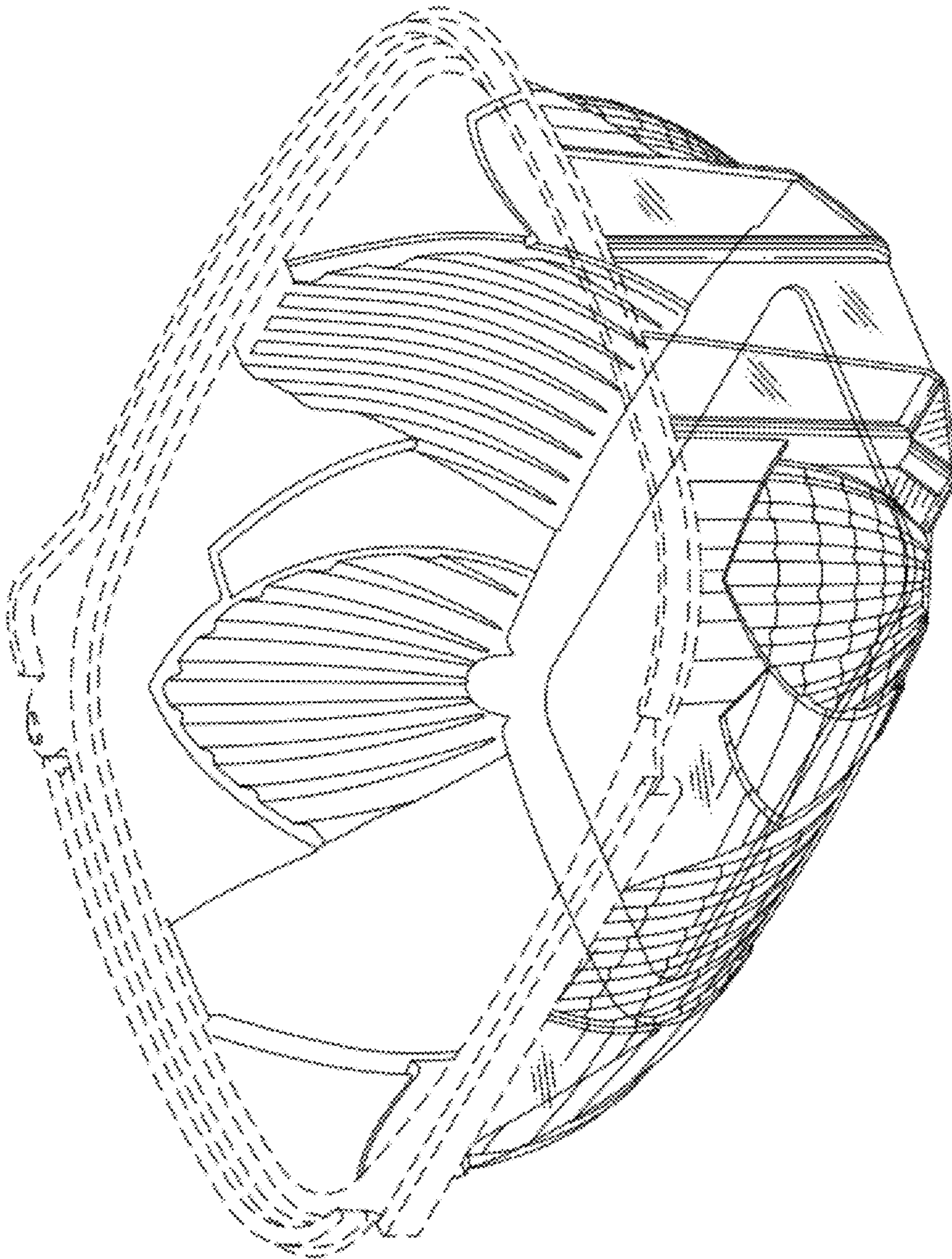


Fig. 1

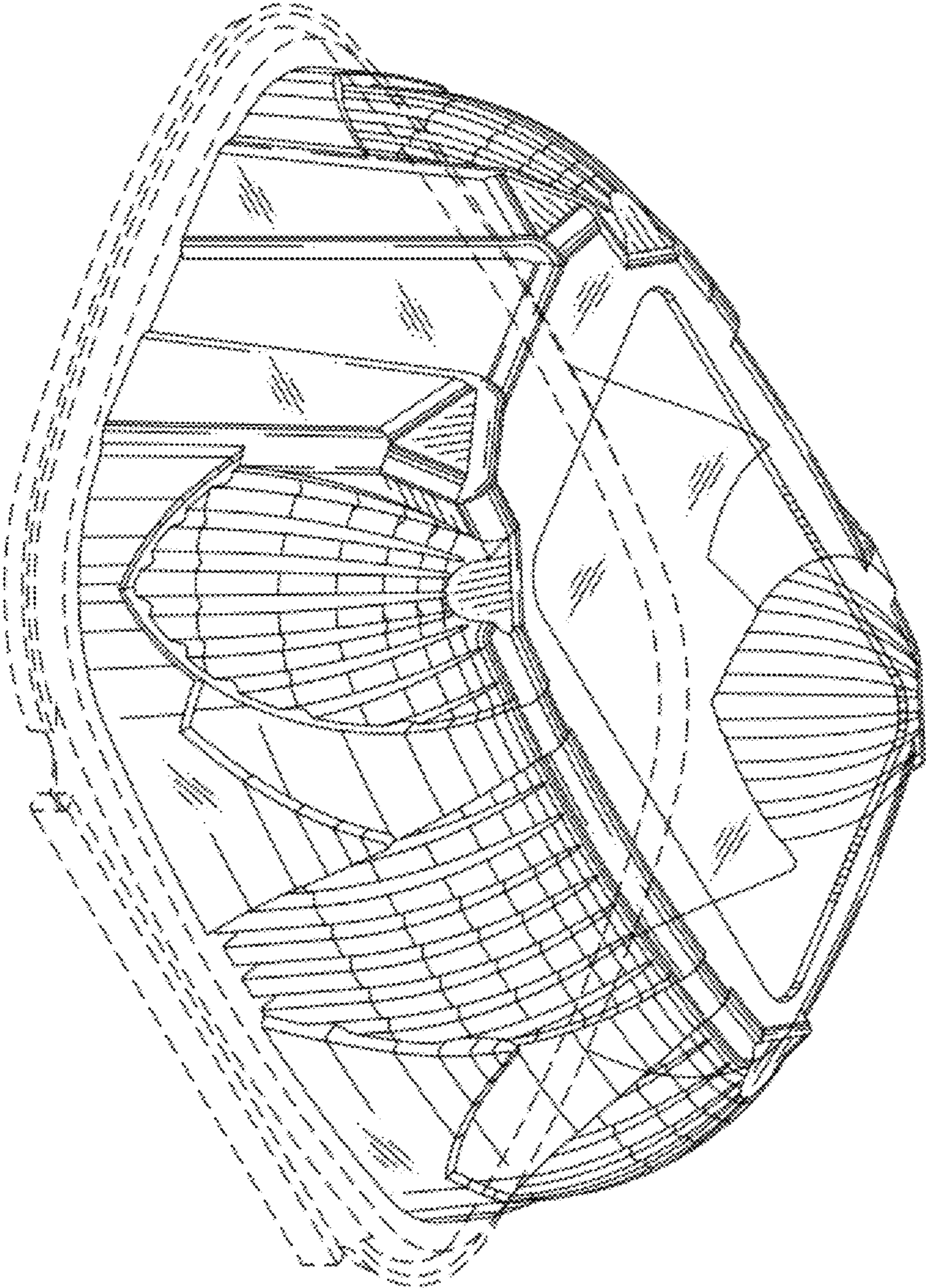


Fig. 2

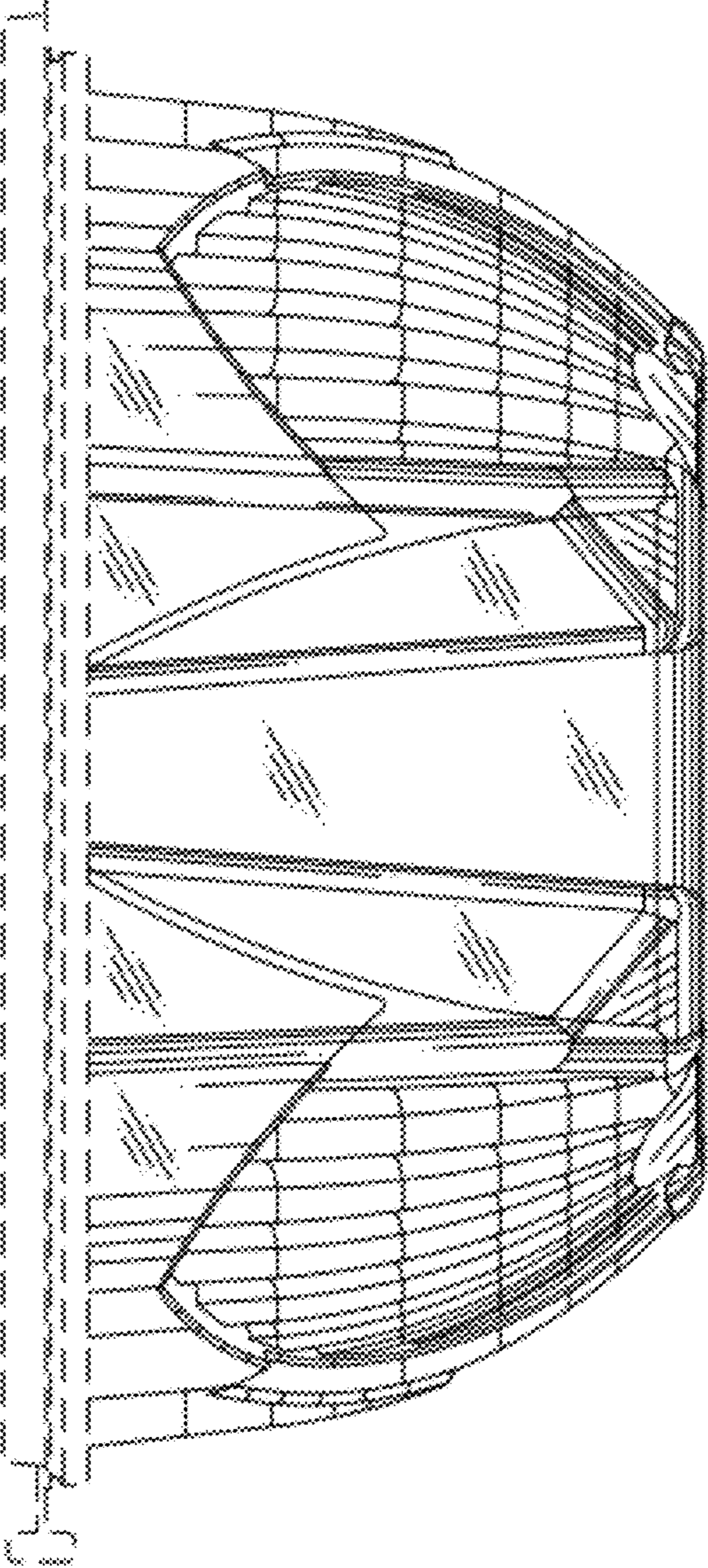


Fig. 3

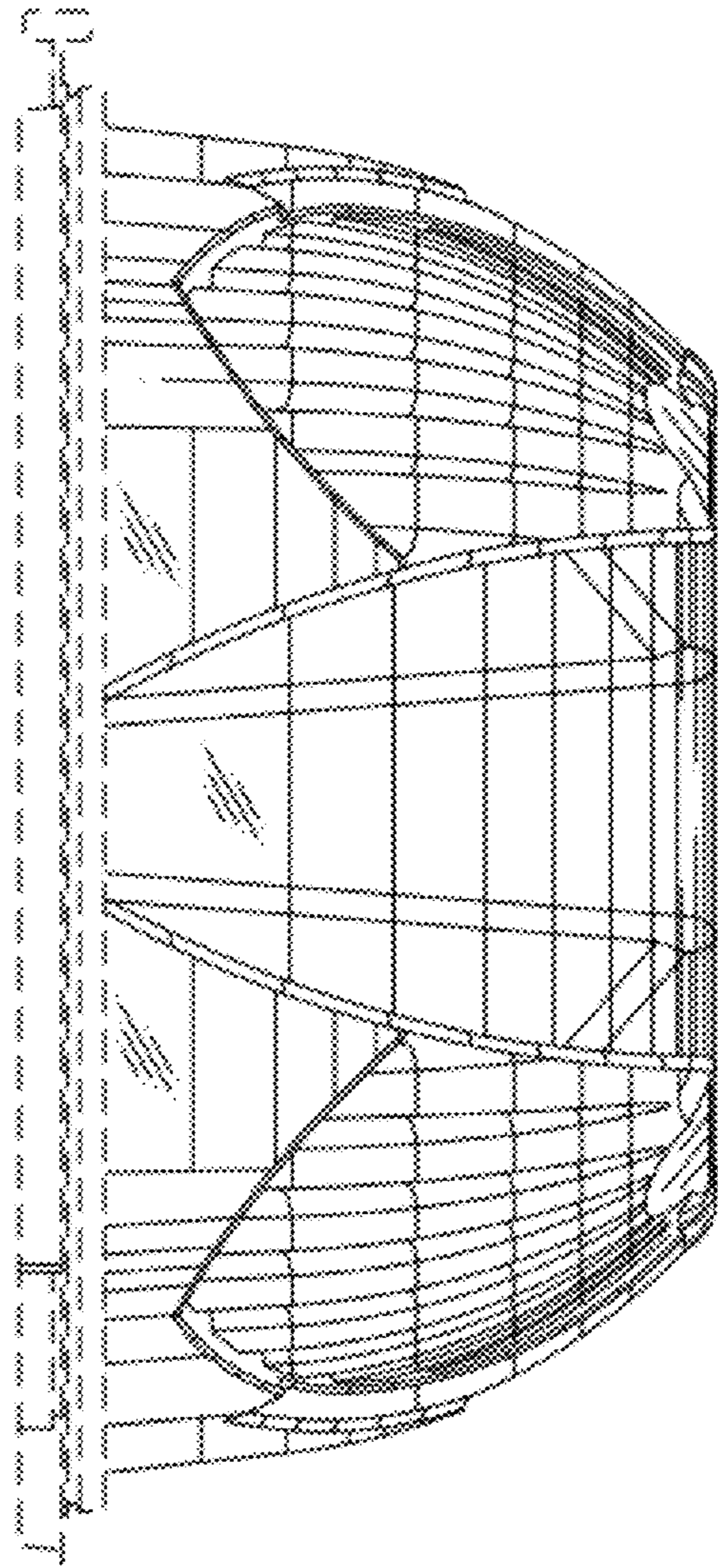


Fig. 4

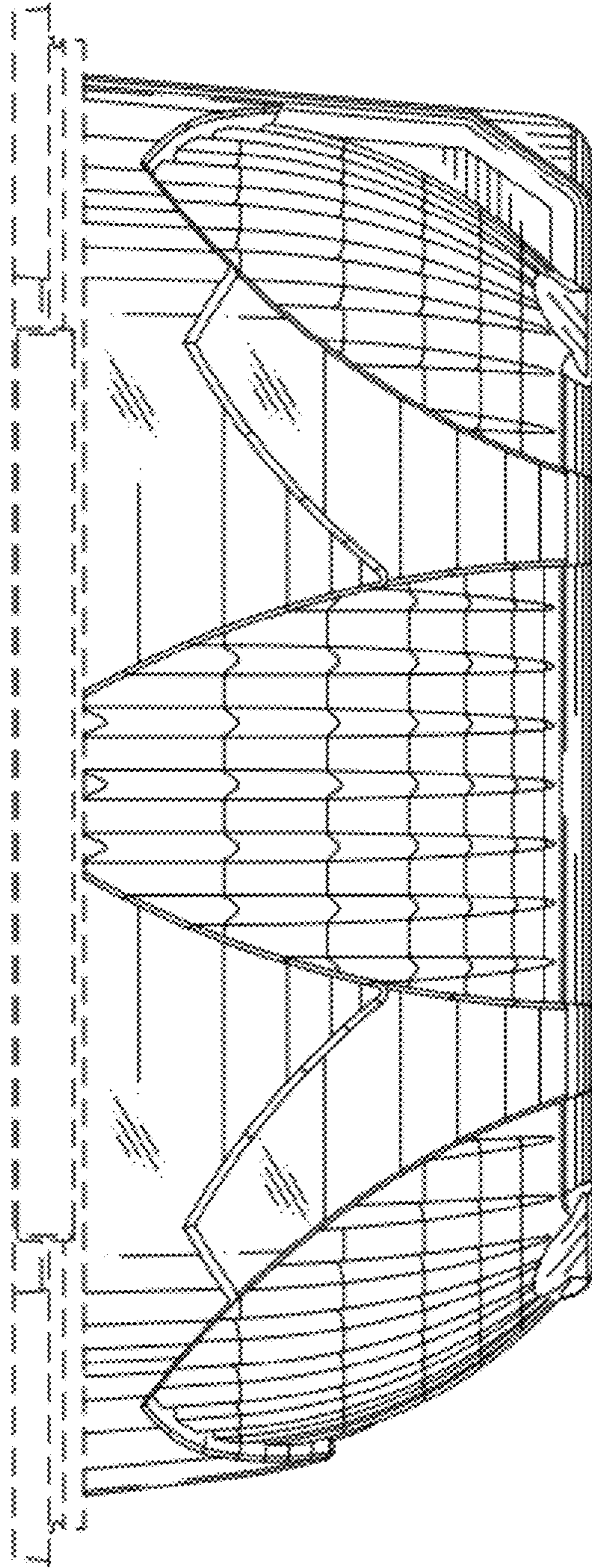


Fig. 5

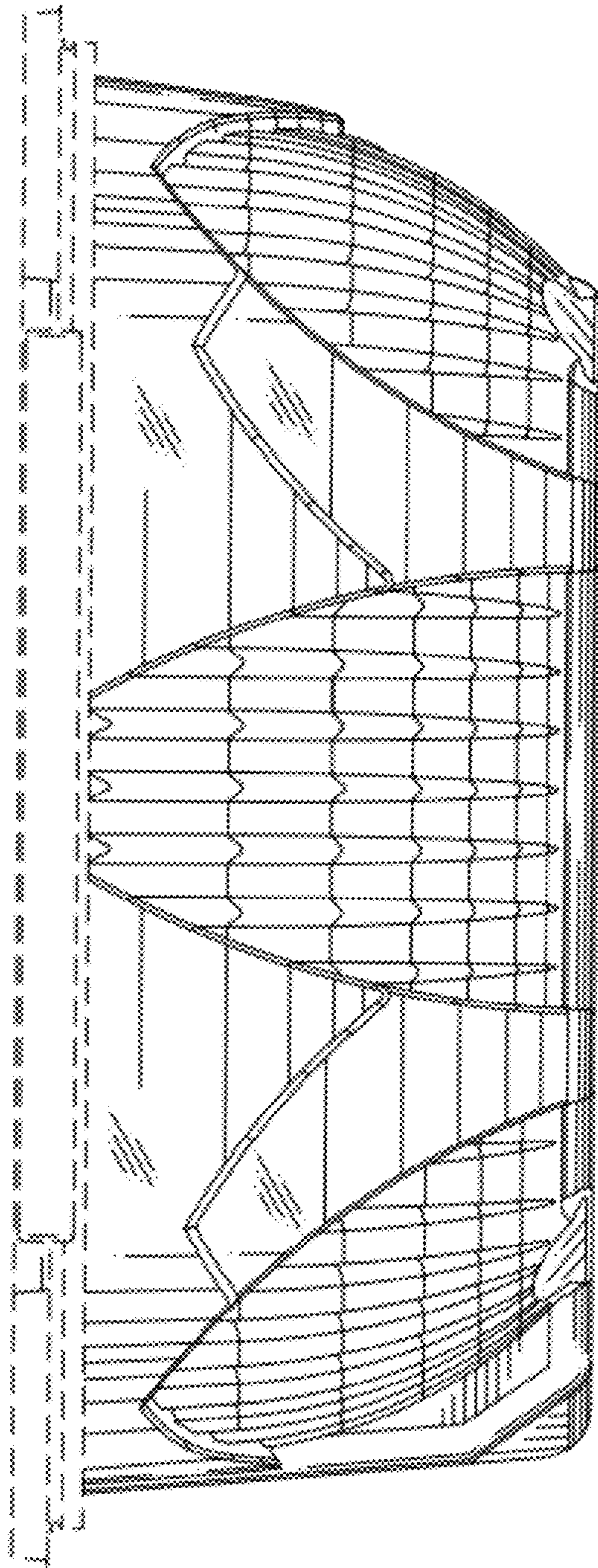


Fig. 6

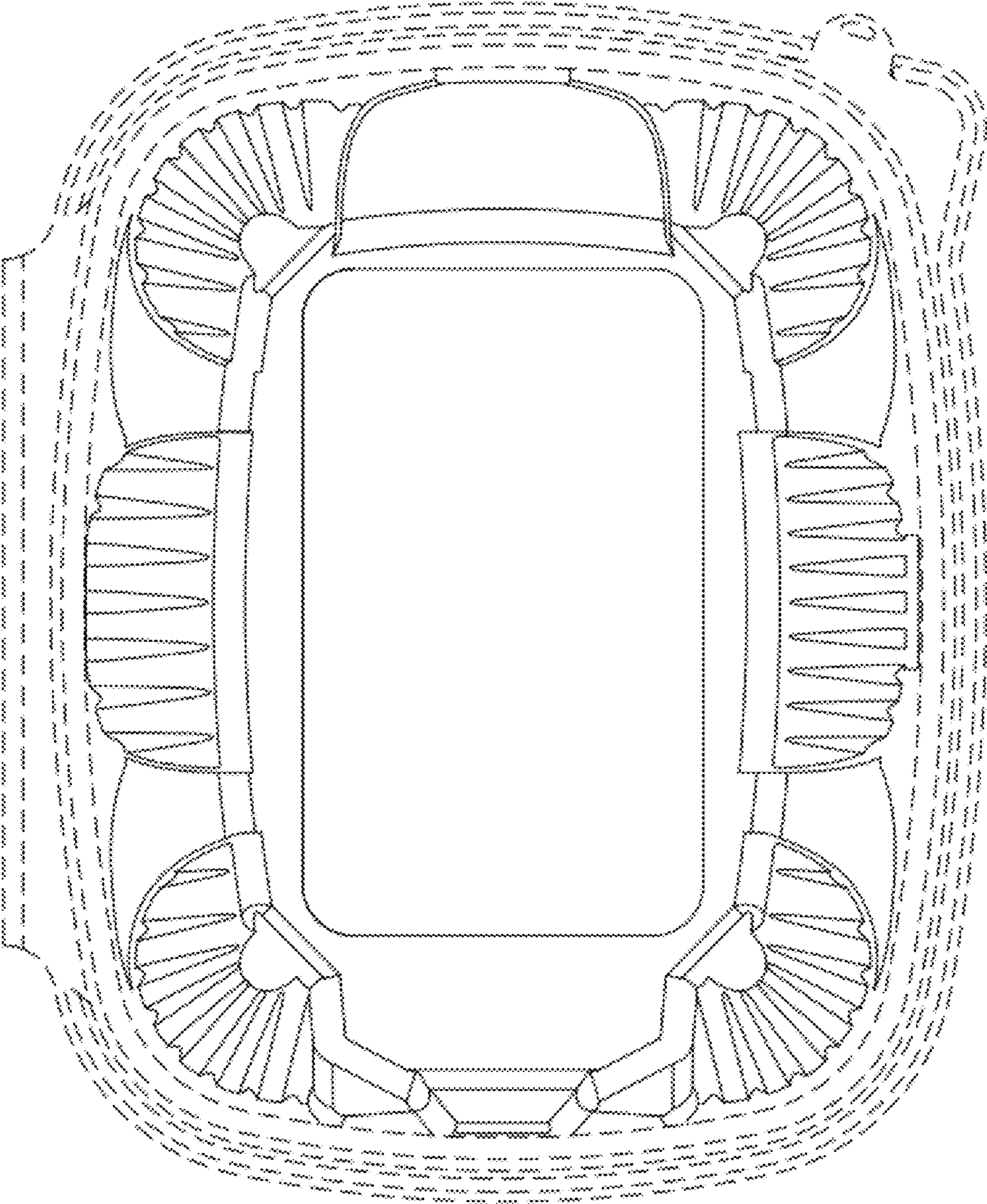


Fig. 7

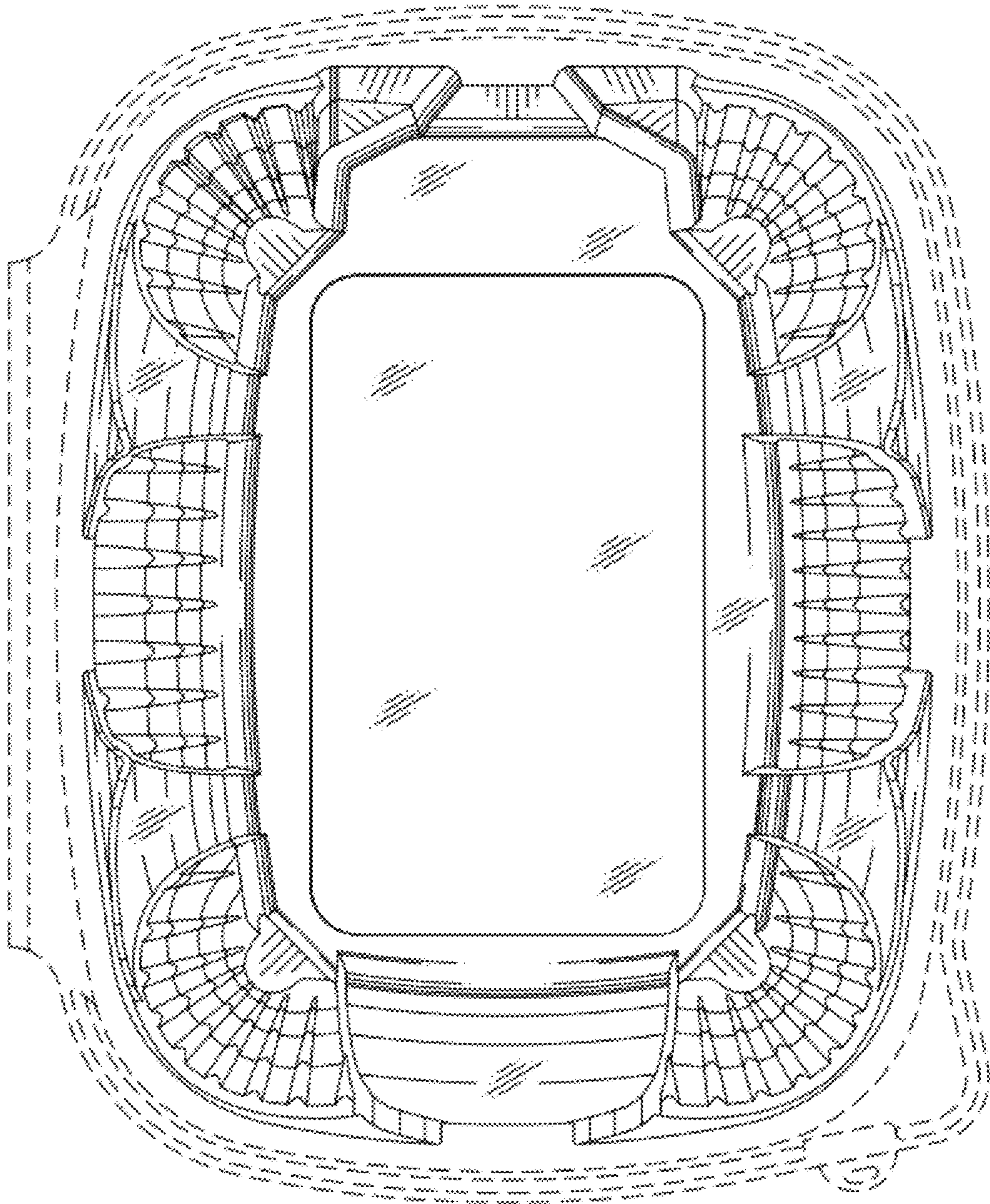


Fig.8