



US00D673446S

(12) **United States Design Patent**
Houry

(10) **Patent No.:** **US D673,446 S**
(45) **Date of Patent:** **** Jan. 1, 2013**

(54) **CRIB**

(75) Inventor: **Robert L. Houry**, Willowick, OH (US)

(73) Assignee: **Foundations Worldwide, Inc.**, Medina, OH (US)

(**) Term: **14 Years**

(21) Appl. No.: **29/391,520**

(22) Filed: **May 10, 2011**

(51) **LOC (9) Cl.** **08-09**

(52) **U.S. Cl.** **D8/403; D6/390**

(58) **Field of Classification Search** **D8/403;**
D6/390, 391; 5/93.1, 100

See application file for complete search history.

(56) **References Cited**

U.S. PATENT DOCUMENTS

| | | | | | | |
|-----------|----|---|---------|---------------|-------|--------|
| D410,381 | S | * | 6/1999 | Johnson, III | | D8/403 |
| D579,696 | S | * | 11/2008 | Houry | | D6/503 |
| D590,194 | S | * | 4/2009 | Houry et al. | | D6/503 |
| D595,073 | S | * | 6/2009 | Houry et al. | | D6/503 |
| 7,568,244 | B1 | * | 8/2009 | Shamie et al. | | 5/100 |
| D628,879 | S | * | 12/2010 | Kindig | | D8/403 |
| 7,917,976 | B1 | * | 4/2011 | Shamie et al. | | 5/93.1 |
| D661,121 | S | * | 6/2012 | Houry et al. | | D6/390 |
| D661,138 | S | * | 6/2012 | Lytle | | D6/503 |
| D666,470 | S | * | 9/2012 | Biter et al. | | D8/331 |

OTHER PUBLICATIONS

SafetyCraft, [online], [site visited Sep. 10, 2012]. Available from Internet, <URL: <http://www.foundations.com/safetycraft.html>>.*

* cited by examiner

Primary Examiner — Robert M Spear

Assistant Examiner — Janice Hallmark

(74) *Attorney, Agent, or Firm* — Christopher L. Parmelee; Walker & Jocke

(57) **CLAIM**

The ornamental design for a crib, as shown and described.

DESCRIPTION

FIG. 1 is an upper perspective view showing my new design for a crib.

FIG. 2 is a lower perspective view thereof.

FIG. 3 is front side plan view thereof, the back side being a minor image.

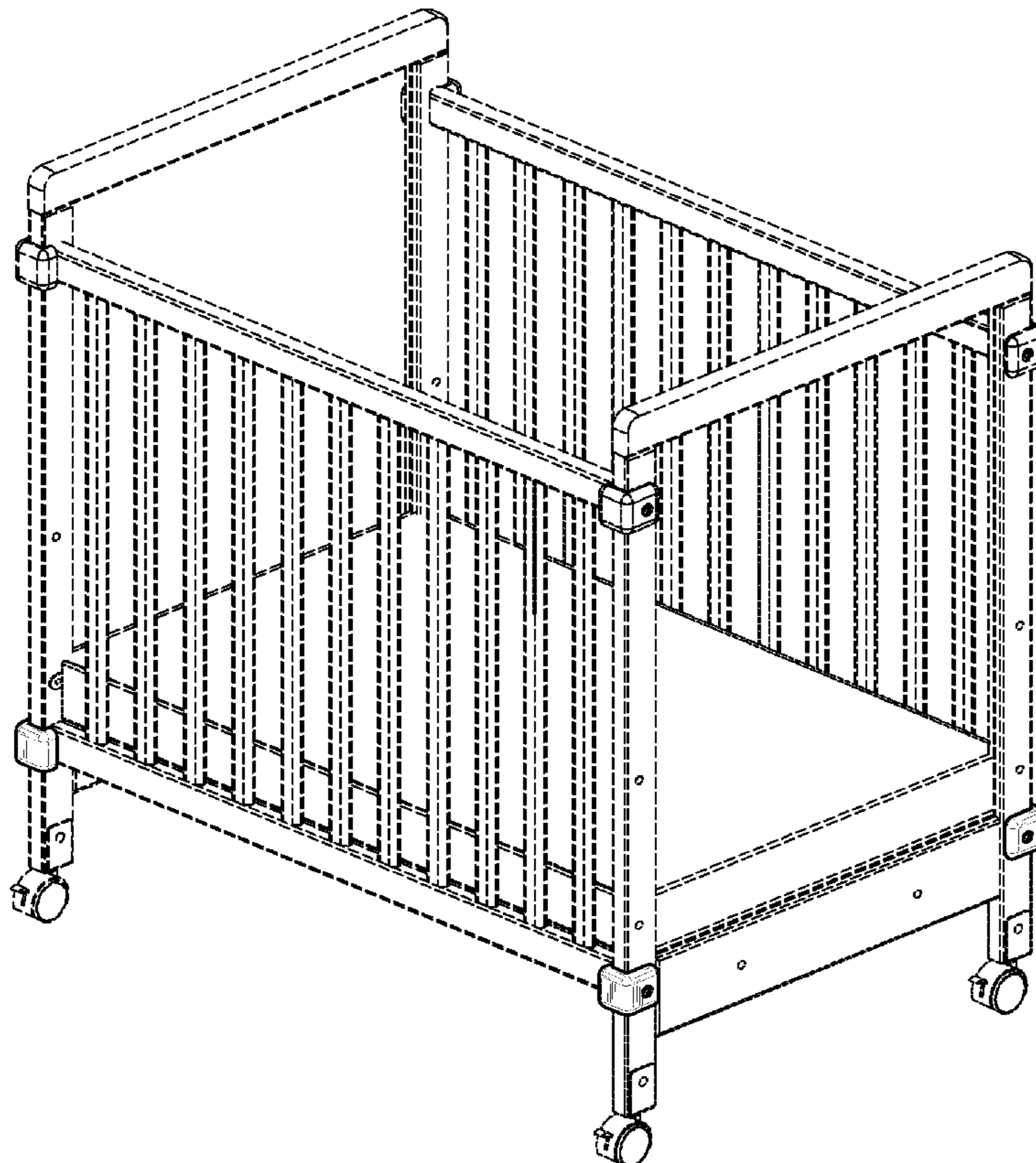
FIG. 4 is a left side plan view thereof, the right side being a minor image.

FIG. 5 is a top side plan view thereof; and,

FIG. 6 is a bottom side plan view thereof.

The broken lines representing the outline of portions of the crib depict environmental subject matter only, and form no part of the claimed design.

1 Claim, 6 Drawing Sheets



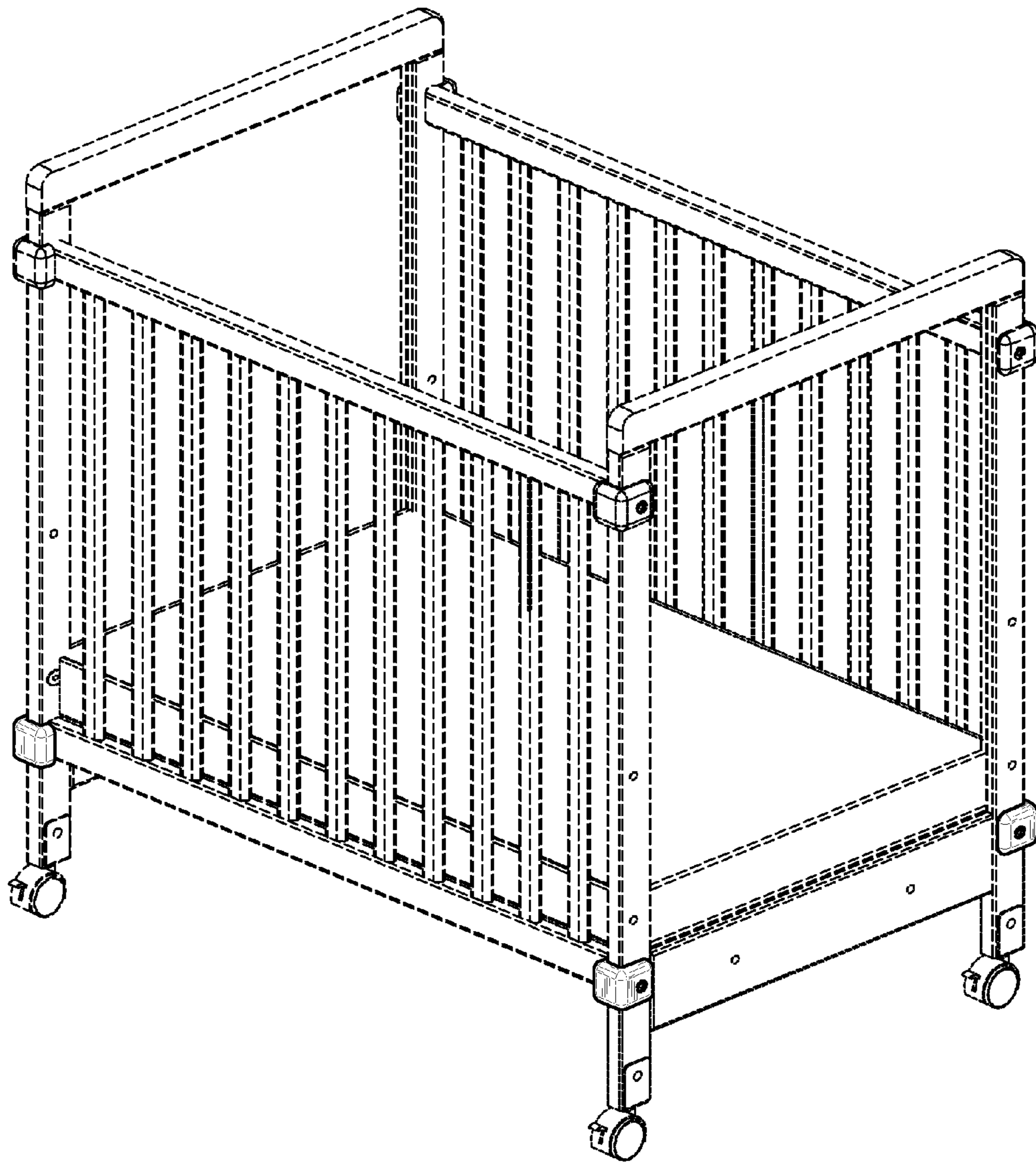


FIG. 1

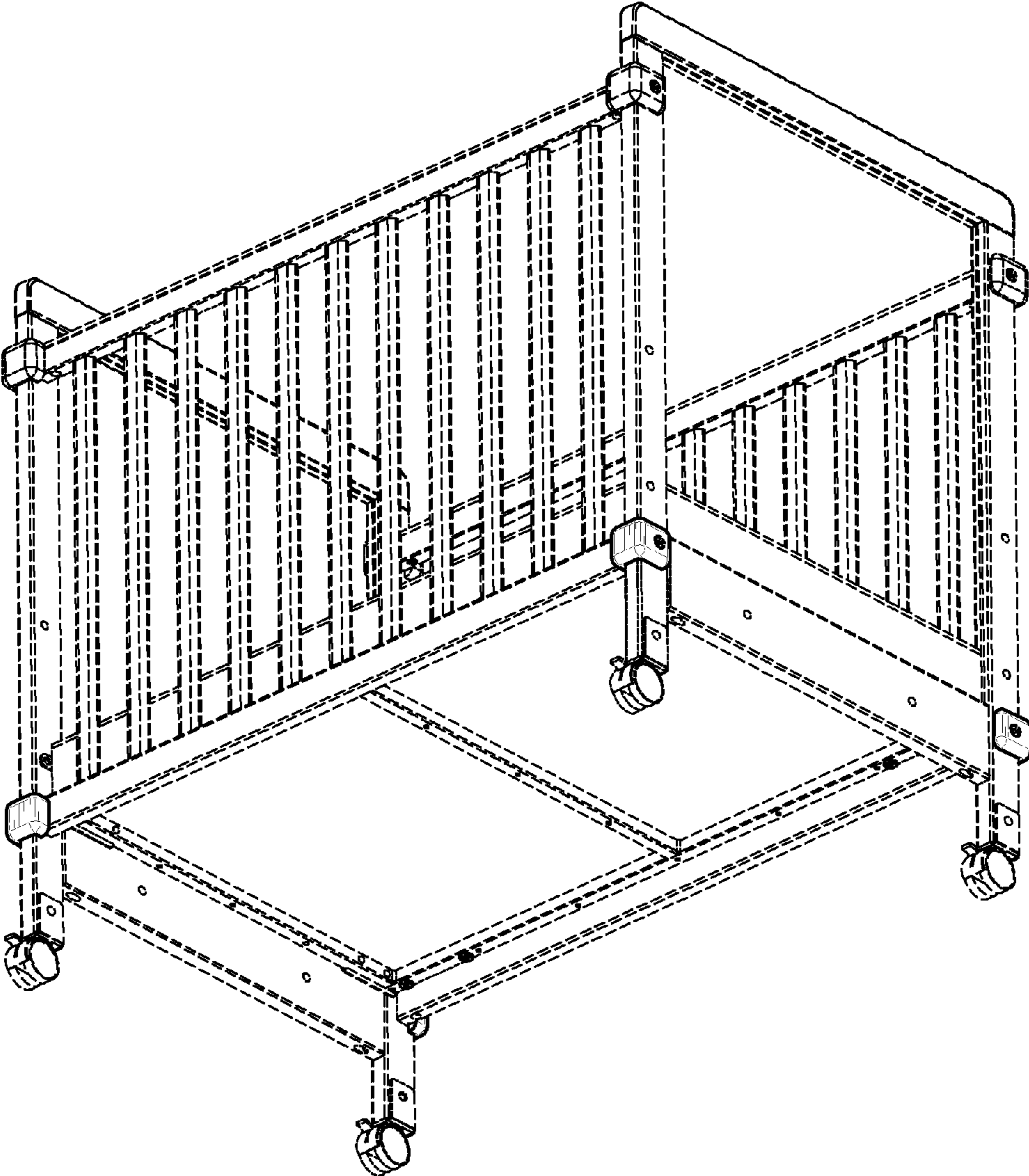


FIG. 2

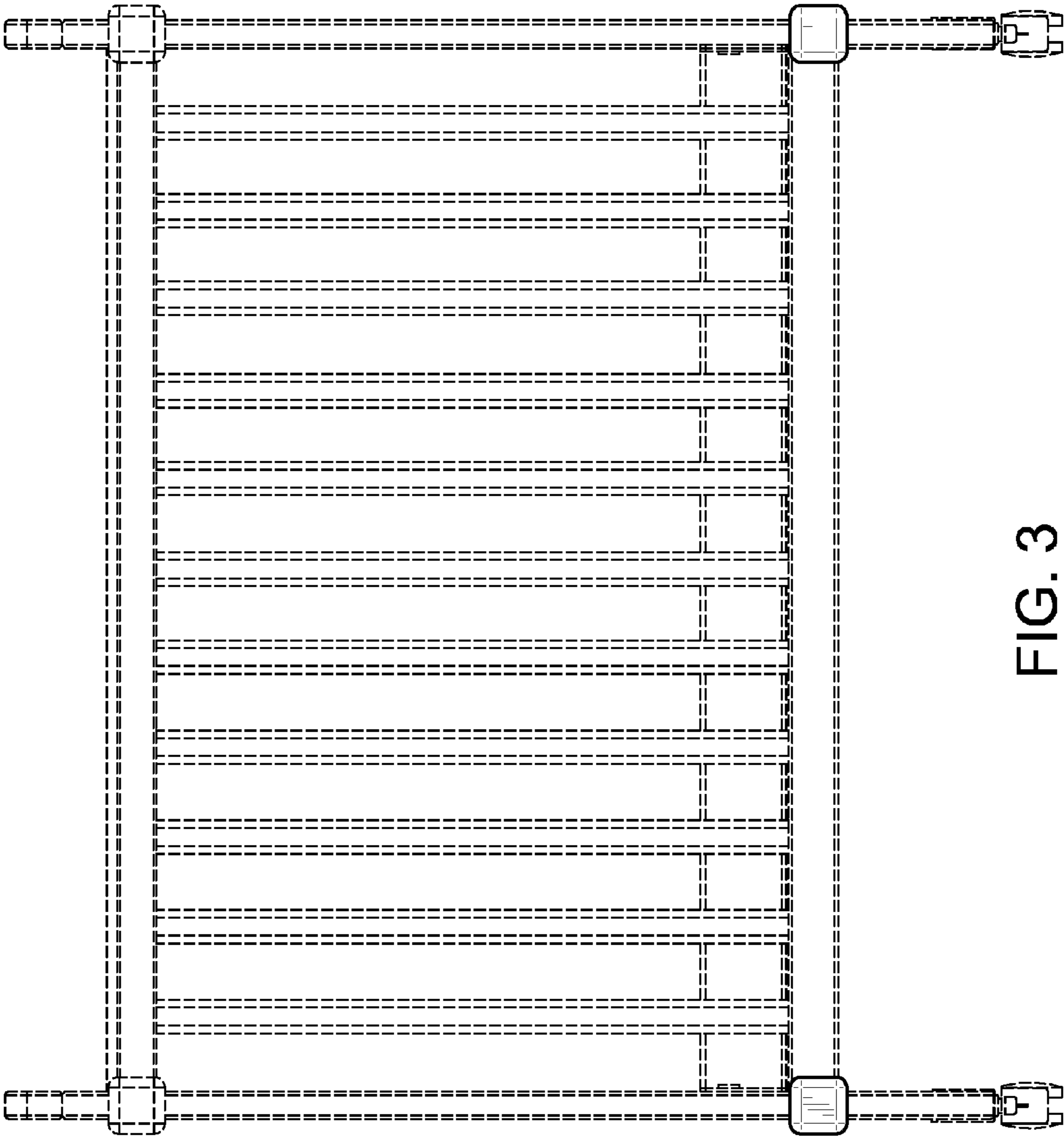


FIG. 3

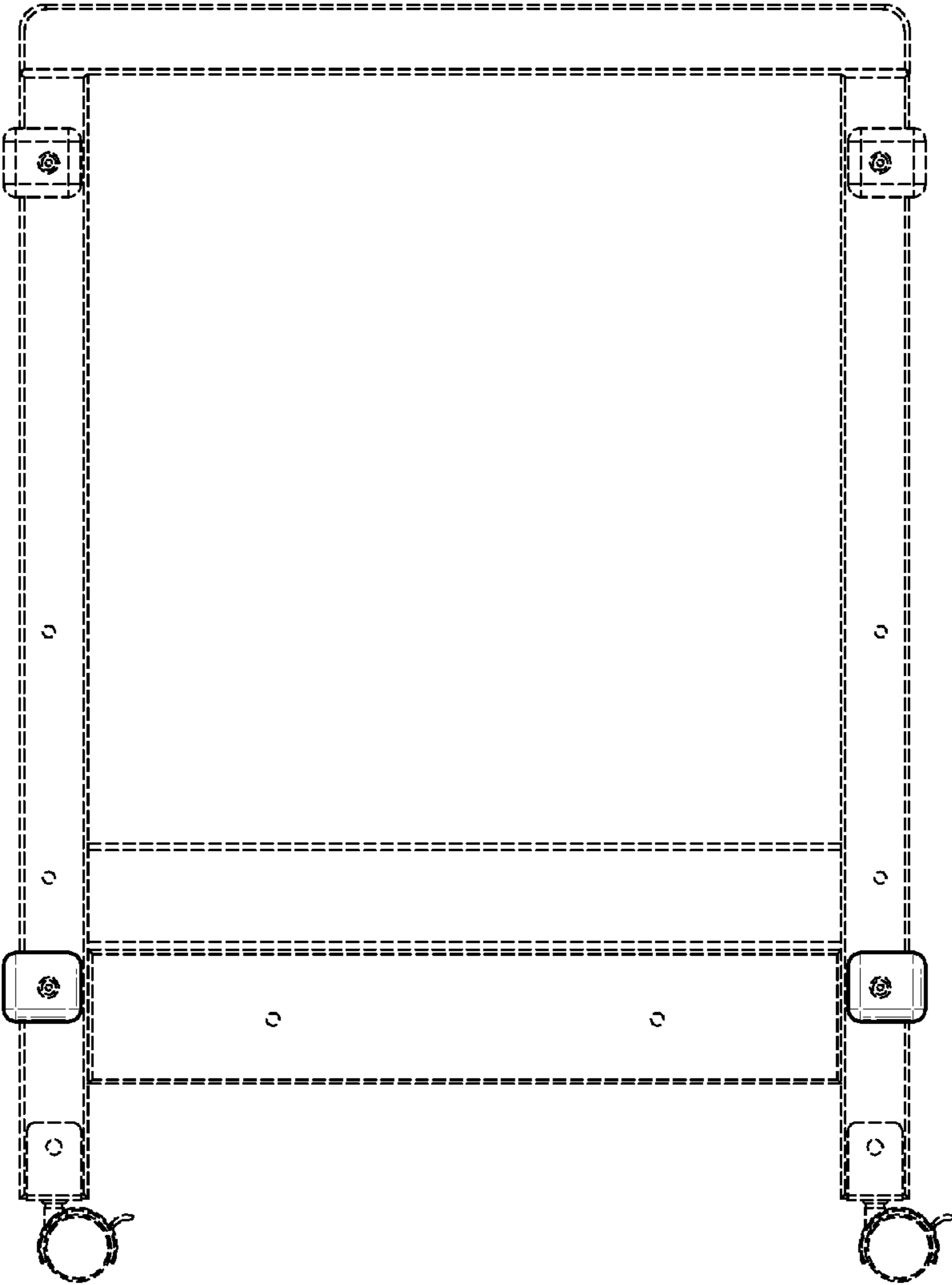


FIG. 4

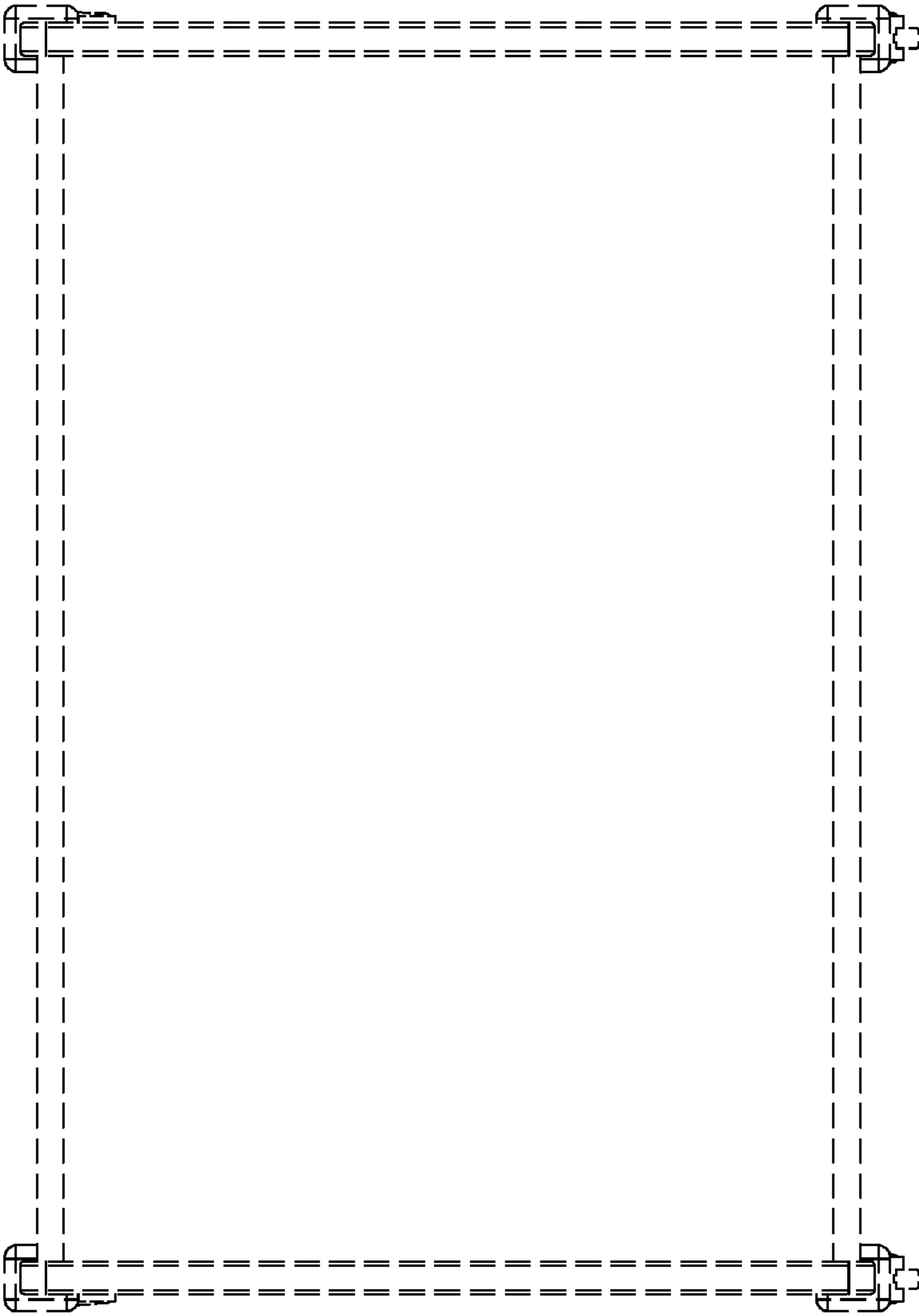


FIG. 5

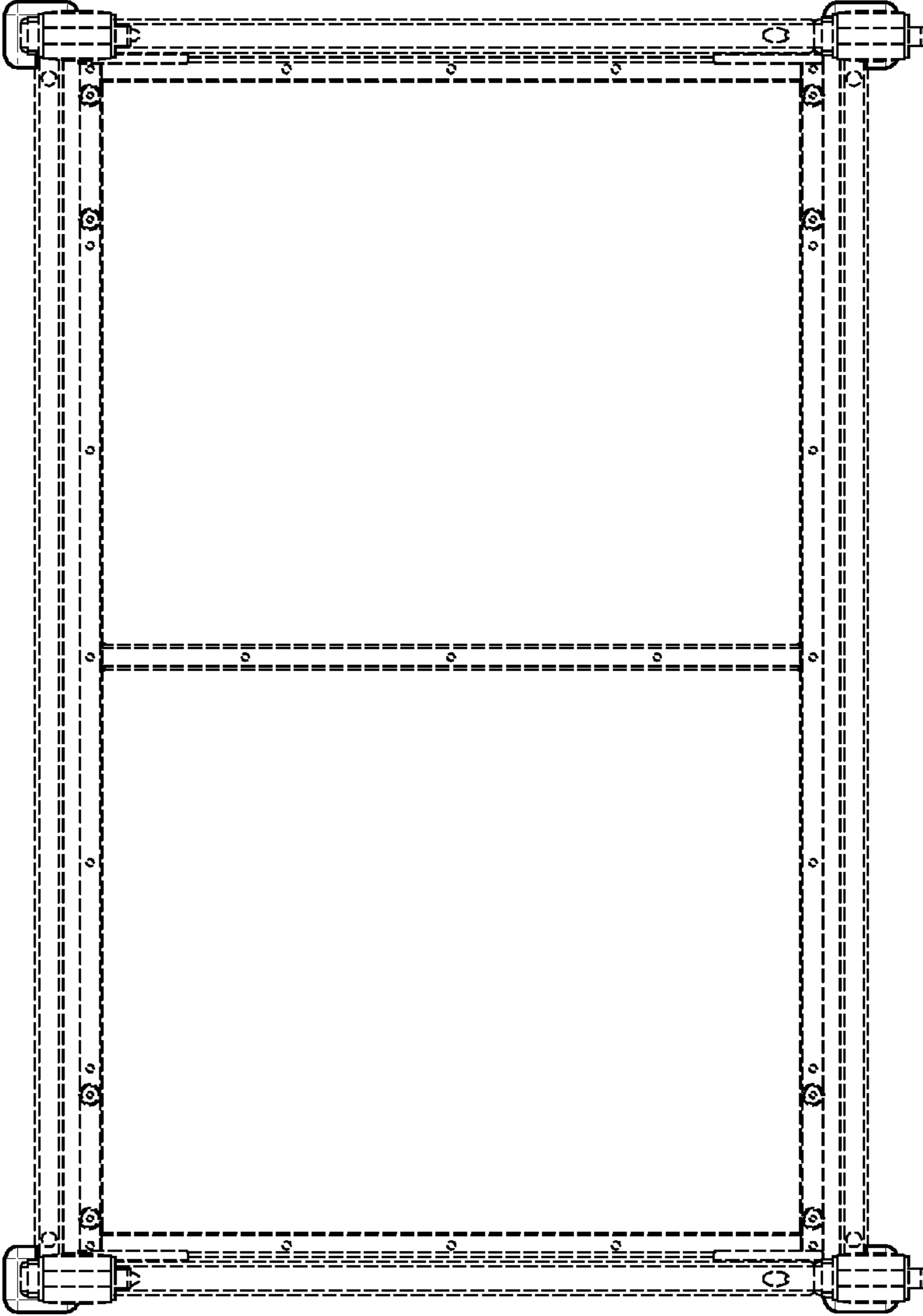


FIG. 6