



US00D673444S

(12) **United States Design Patent**
Kashimura

(10) **Patent No.:** **US D673,444 S**

(45) **Date of Patent:** **** Jan. 1, 2013**

(54) **PRESS NUT**

(75) Inventor: **Shuji Kashimura**, Toyohashi (JP)

(73) Assignee: **Newfrey LLC**, Newark, DE (US)

(**) Term: **14 Years**

(21) Appl. No.: **29/409,093**

(22) Filed: **Dec. 20, 2011**

(30) **Foreign Application Priority Data**

Jun. 21, 2011 (JP) 2011-14055

(51) **LOC (9) Cl.** **08-08**

(52) **U.S. Cl.** **D8/397**

(58) **Field of Classification Search** D8/397,
D8/394, 382, 349, 356, 399, 363, 352; 403/291,
403/309, 300, 301, 310, 311, 403; 411/427,
411/429, 432, 918, 180
See application file for complete search history.

(56) **References Cited**

U.S. PATENT DOCUMENTS

D32,659 S *	5/1900	Higgin	D8/397
D32,793 S *	6/1900	Fauber	D8/399
687,774 A *	12/1901	Oliver	411/326
D57,407 S *	3/1921	Walker	D23/269
2,764,886 A *	10/1956	Wiesmann	52/105
3,213,914 A *	10/1965	Baumle et al.	411/179
D218,674 S *	9/1970	Ernest	D8/387
D278,594 S *	4/1985	Lye	D8/25
5,092,725 A *	3/1992	Aittama	411/190

D364,882 S *	12/1995	Junkers	D15/199
5,622,208 A *	4/1997	Vinson	138/89
D453,000 S *	1/2002	Shinjo et al.	D8/397
D520,856 S *	5/2006	Osiecki et al.	D8/312
D520,859 S *	5/2006	Osiecki et al.	D8/321
D549,091 S *	8/2007	McIntyre et al.	D8/399
D557,132 S *	12/2007	Shinjo	D8/397

* cited by examiner

Primary Examiner — Cynthia Underwood

(74) *Attorney, Agent, or Firm* — Michael P. Leary

(57) **CLAIM**

The ornamental design for a press nut, as shown and described.

DESCRIPTION

FIG. 1 is a front view of a press nut according to the present invention, the rear view, right side and left side being identical images thereof.

FIG. 2 is a top view thereof;

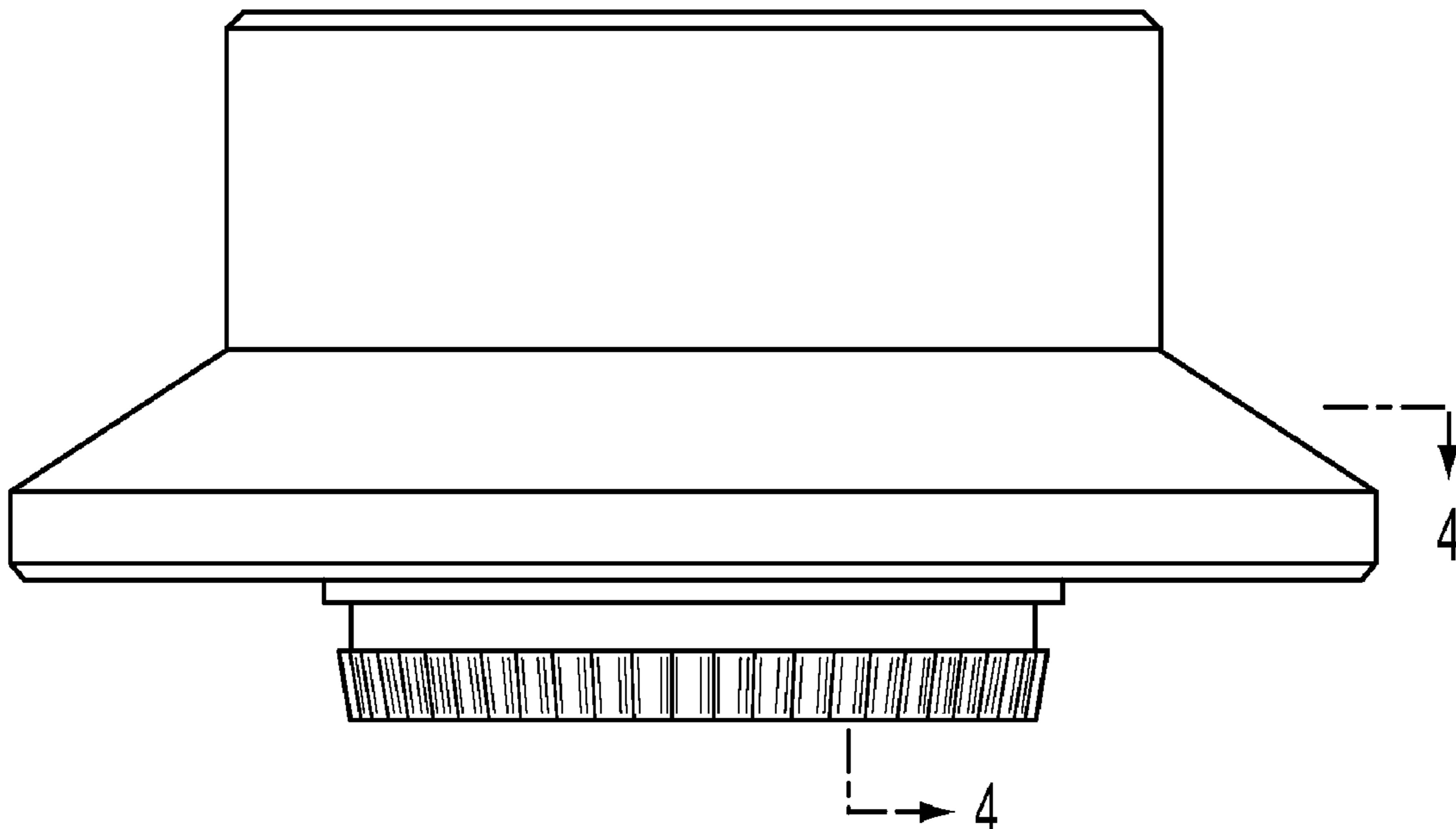
FIG. 3 is a bottom view thereof;

FIG. 4 is an enlarged, cut-away view taken from line 4-4 of FIG. 1.

FIG. 5 is a cross-sectional view taken from line 5-5 of FIG. 2; and,

FIG. 6 is a cross-sectional view taken from line 6-6 of FIG. 2 showing the item in its environment of use, the broken lines forming no part of the claim.

1 Claim, 3 Drawing Sheets



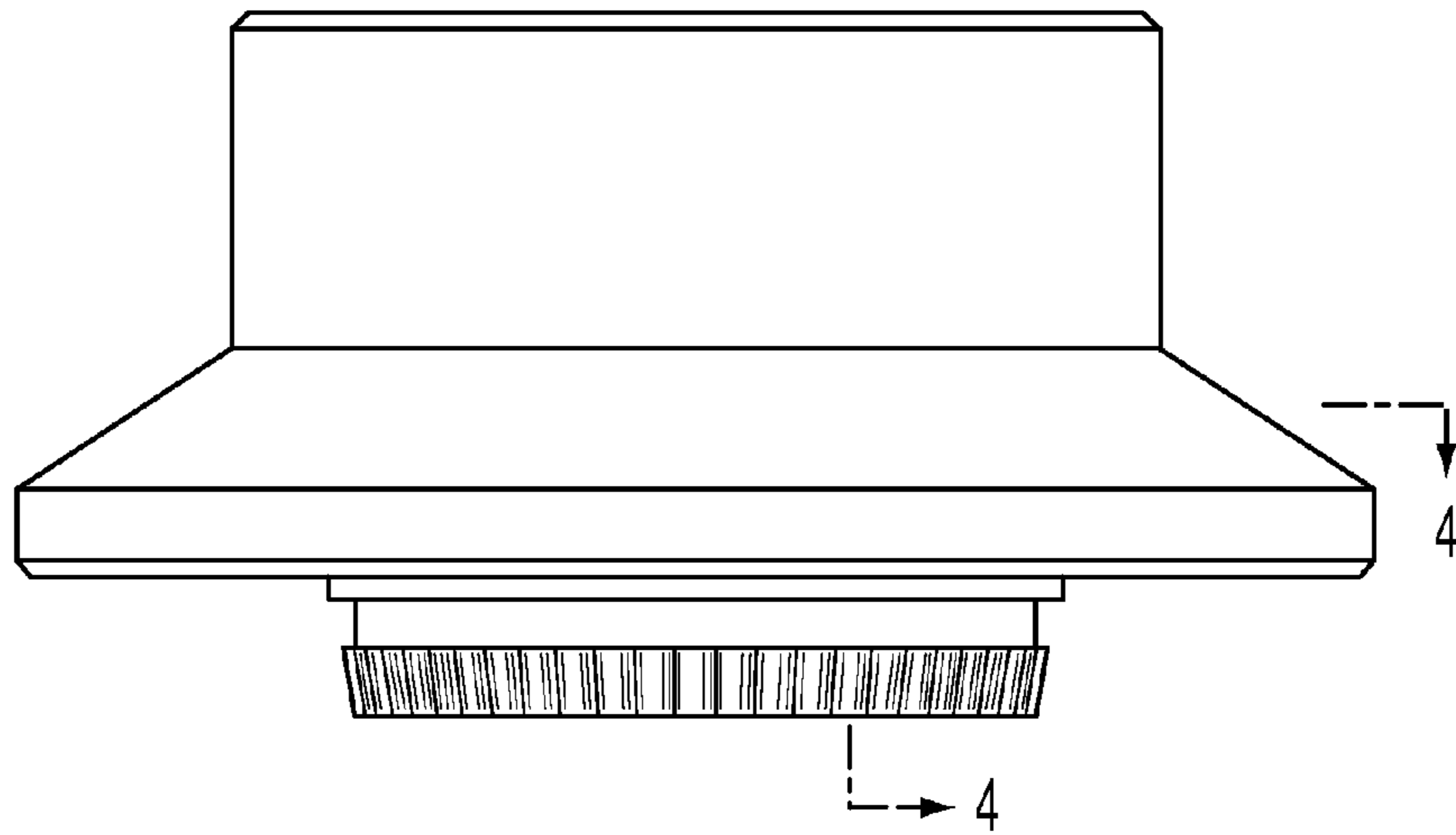


FIG. 1

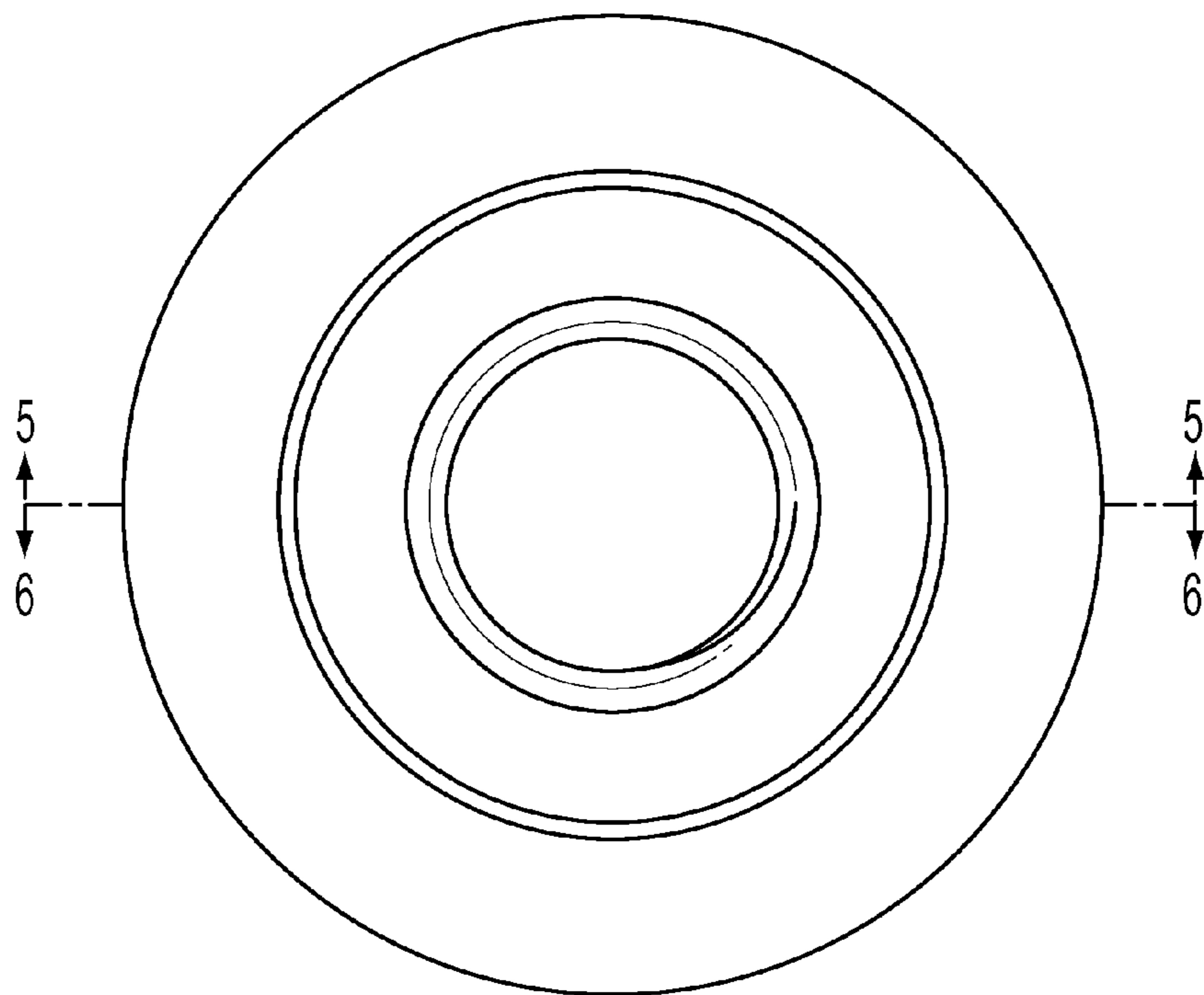


FIG. 2

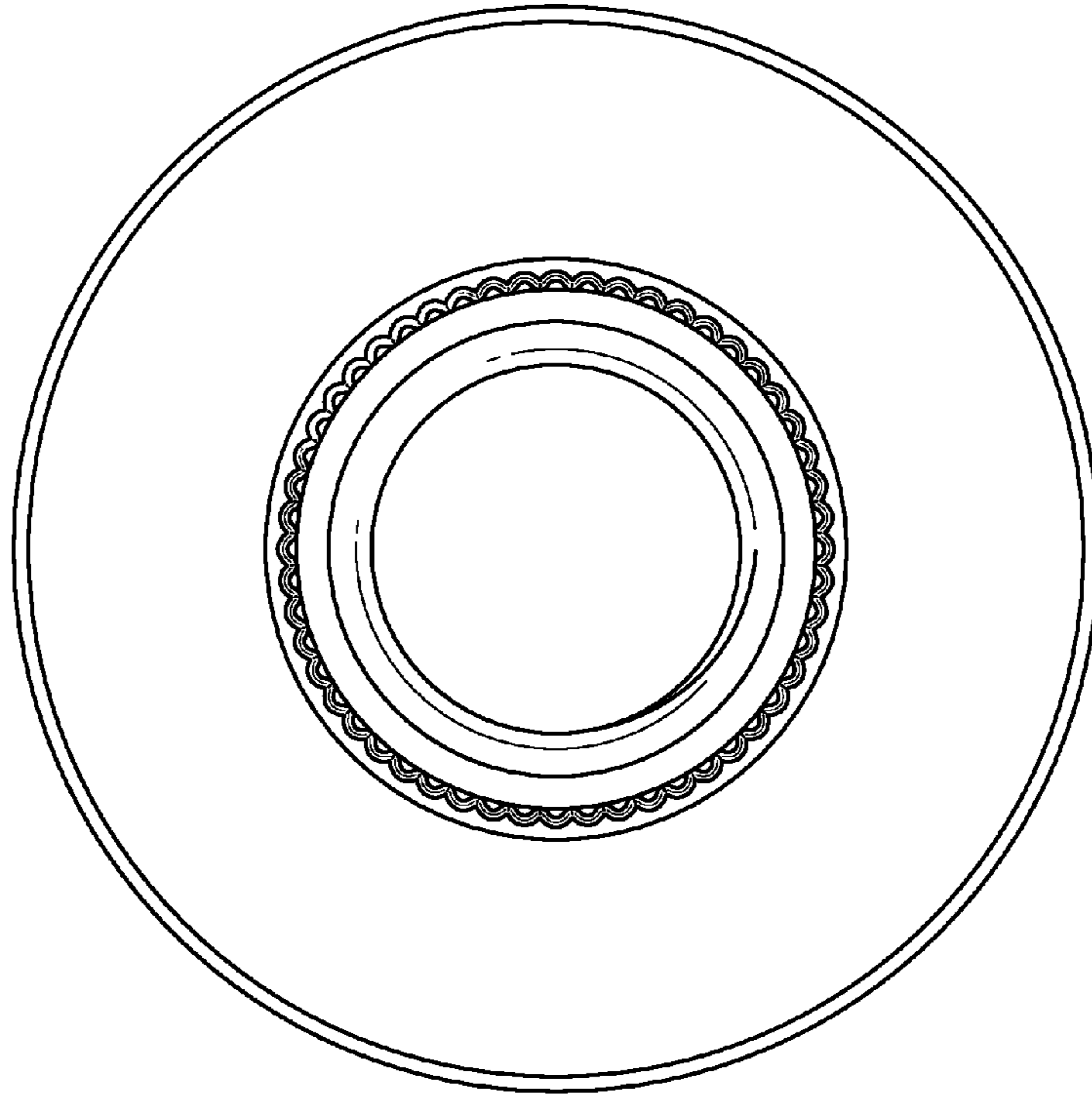


FIG. 3

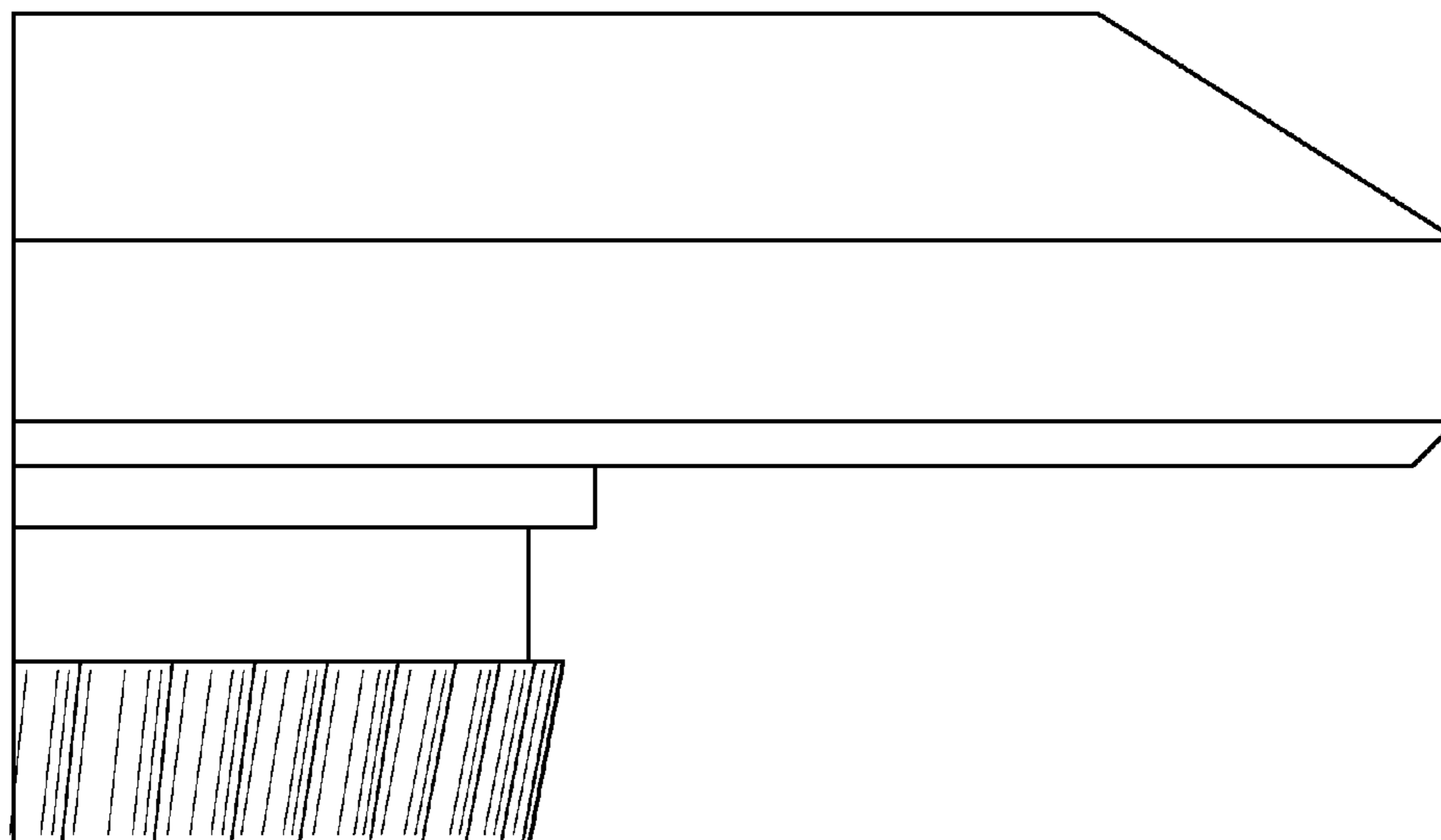


FIG. 4

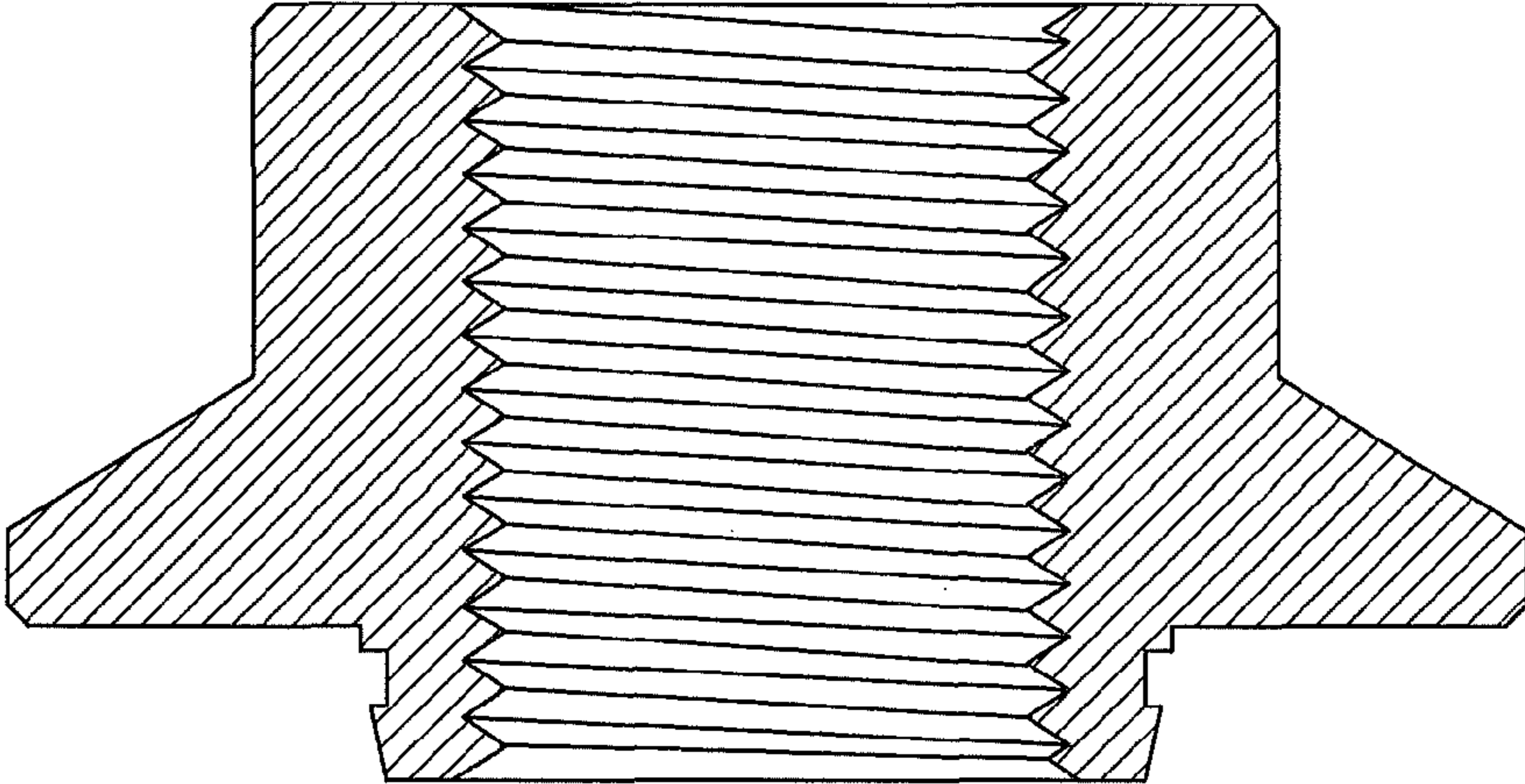


FIG. 5

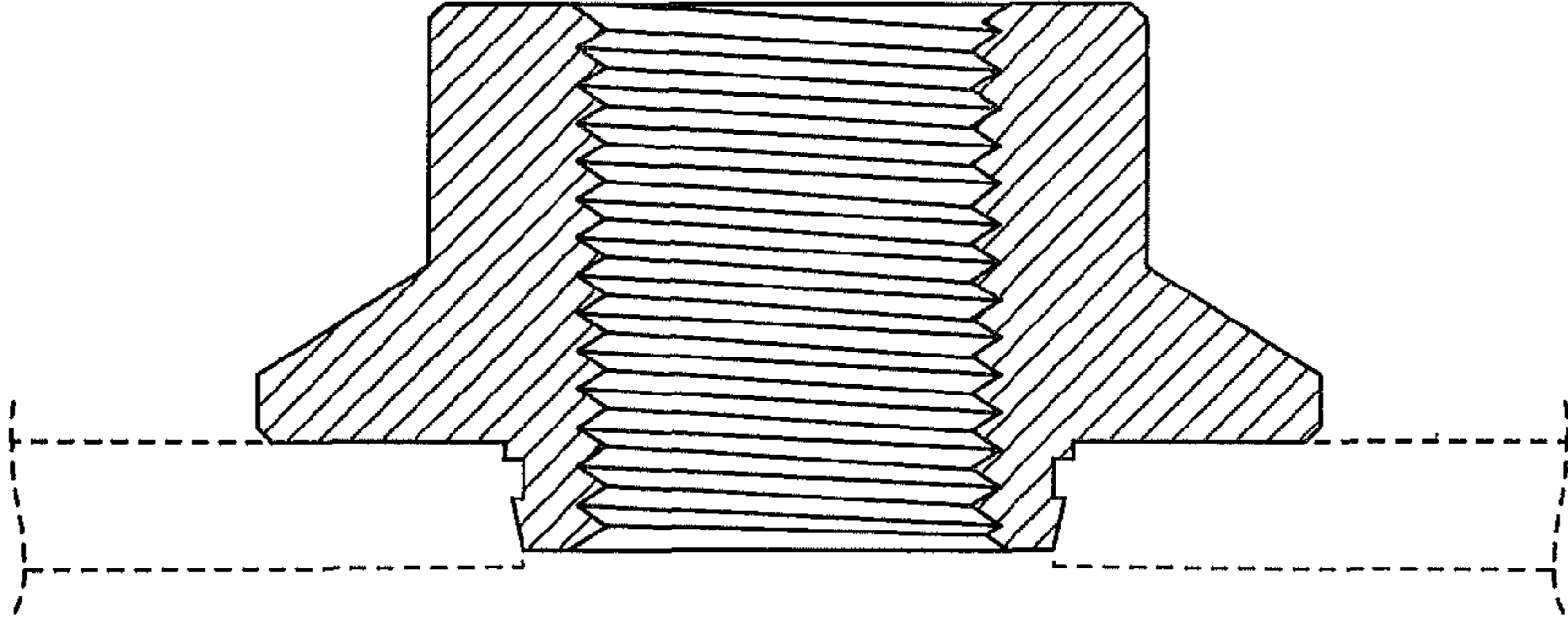


FIG. 6