



US00D673443S

(12) **United States Design Patent**  
**Elrod**

(10) **Patent No.:** **US D673,443 S**  
(45) **Date of Patent:** **\*\* Jan. 1, 2013**

(54) **ABRASION RESISTANT LIMIT STRAP MOUNT**

(75) Inventor: **Christopher Elrod**, Orangevale, CA (US)

(73) Assignee: **Christopher Elrod**, Orangevale, CA (US)

(\*\*) Term: **14 Years**

(21) Appl. No.: **29/395,831**

(22) Filed: **Apr. 6, 2012**

(51) **LOC (9) Cl.** ..... **08-05**

(52) **U.S. Cl.** ..... **D8/356**

(58) **Field of Classification Search** ..... D8/367,  
D8/354, 349, 356; 248/227.2, 308, 215,  
248/231.81, 304; 16/256, 258

See application file for complete search history.

(56) **References Cited**

**U.S. PATENT DOCUMENTS**

D375,673	S	*	11/1996	Schowalter	.....	D8/367
5,949,339	A	*	9/1999	Ettinger et al.	.....	340/573.1
D473,782	S	*	4/2003	Wu et al.	.....	D8/356
D480,841	S	*	10/2003	Bird	.....	D30/138
D507,509	S	*	7/2005	Hou	.....	D11/218
D509,459	S	*	9/2005	Pontaoe	.....	D11/208
D525,168	S	*	7/2006	Pontaoe	.....	D11/208
D542,123	S	*	5/2007	Symons	.....	D8/356

D592,939	S	*	5/2009	Kelleghan	.....	D8/356
D625,654	S	*	10/2010	Spater	.....	D11/210
D625,985	S	*	10/2010	Mori et al.	.....	D8/356
D649,907	S	*	12/2011	Kataguchi	.....	D11/218
D661,573	S	*	6/2012	Paik et al.	.....	D8/367

\* cited by examiner

*Primary Examiner* — Cynthia Underwood

(57) **CLAIM**

I claim the ornamental design for an abrasion resistant limit strap mount, as shown and described.

**DESCRIPTION**

FIG. 1 is a perspective view of an abrasion resistant limit strap mount showing the new design.

FIG. 2 is a front view of the abrasion resistant limit strap mount.

FIG. 3 is a back view of the abrasion resistant limit strap mount.

FIG. 4 is a side view of the abrasion resistant limit strap mount.

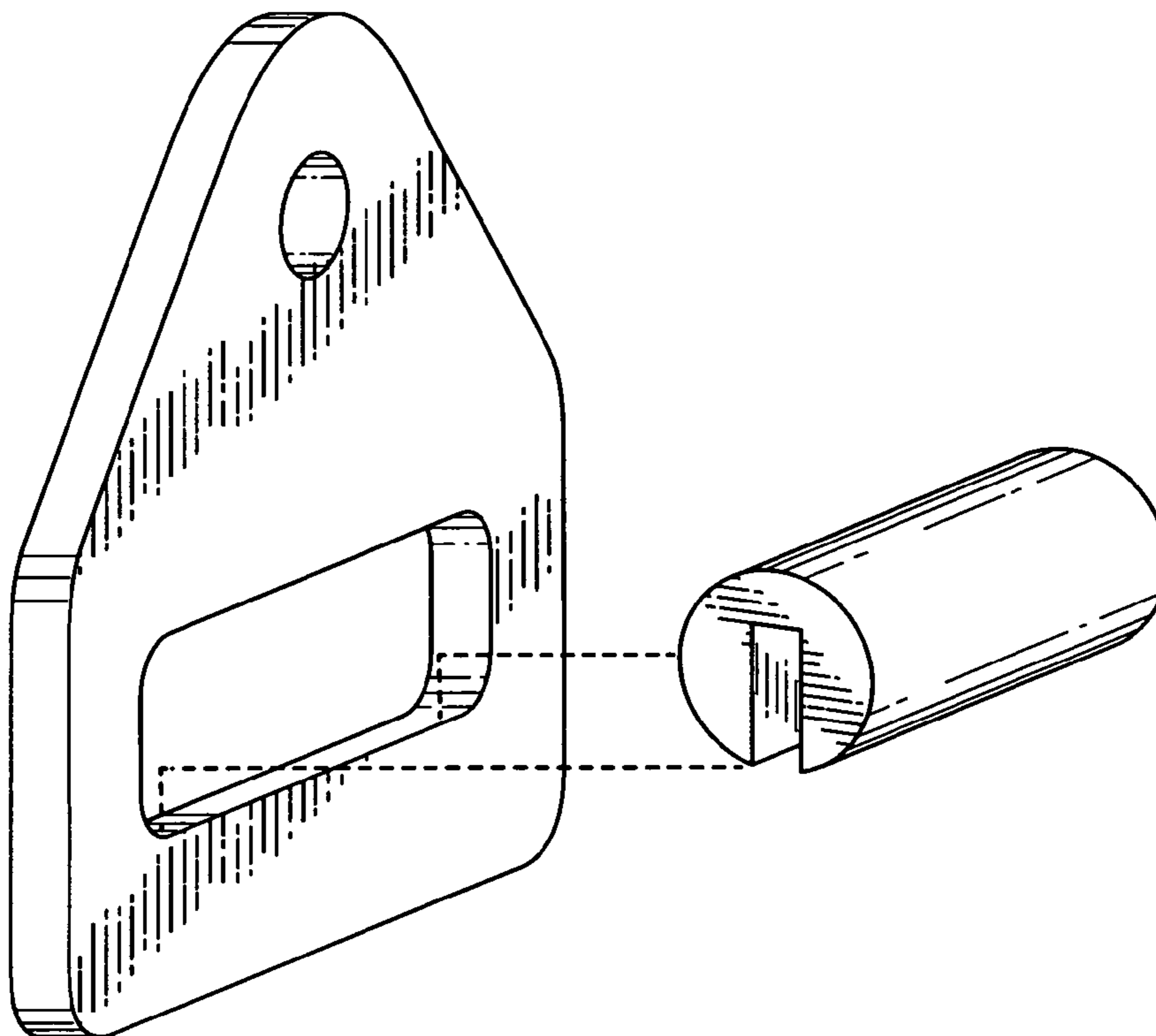
FIG. 5 is a side view of the side opposite that shown in FIG. 4.

FIG. 6 is a top view of the abrasion resistant limit strap mount.

FIG. 7 is a bottom view of the abrasion resistant limit strap mount; and,

FIG. 8 is an exploded view of the abrasion resistant limit strap mount.

**1 Claim, 4 Drawing Sheets**



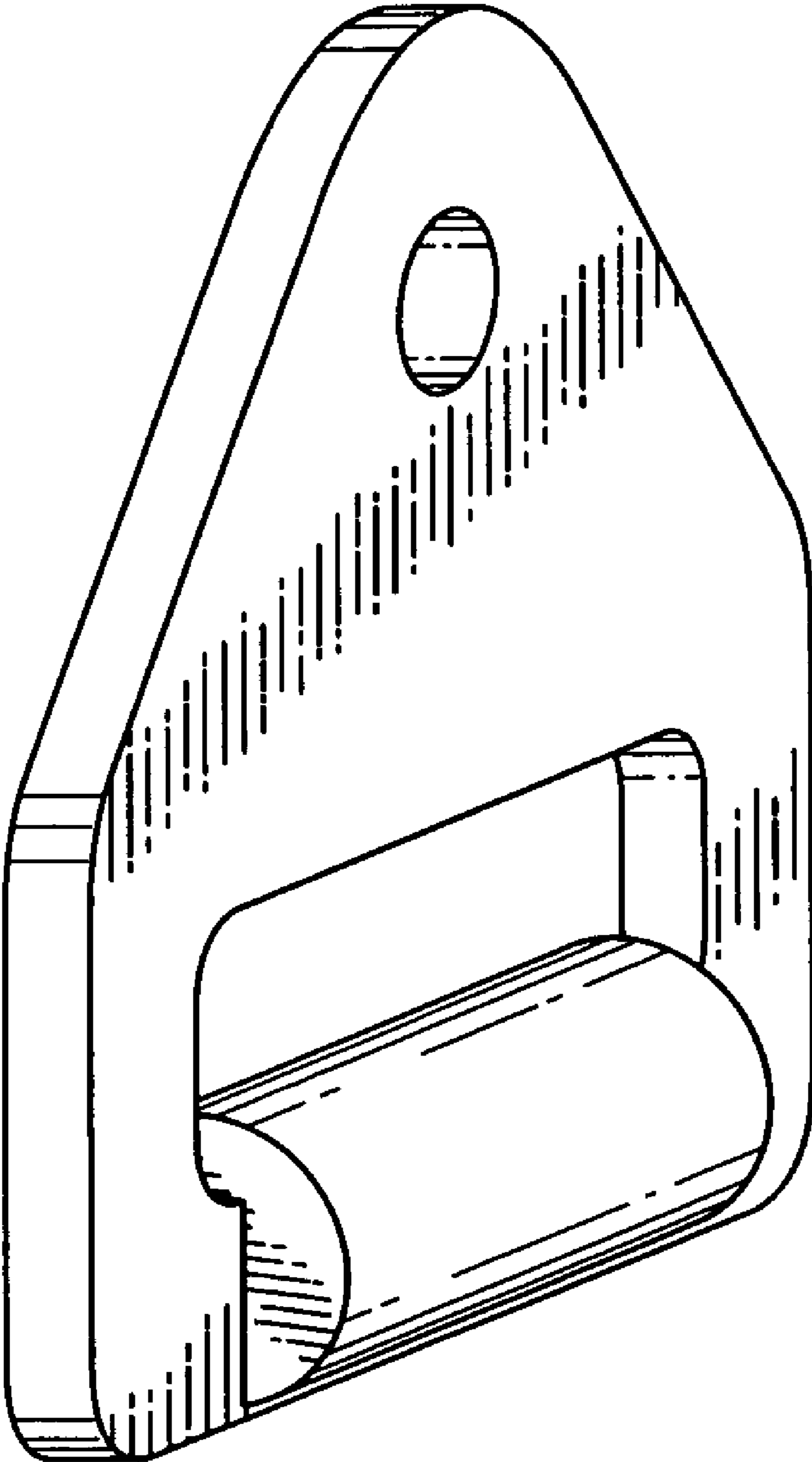


FIG. 1

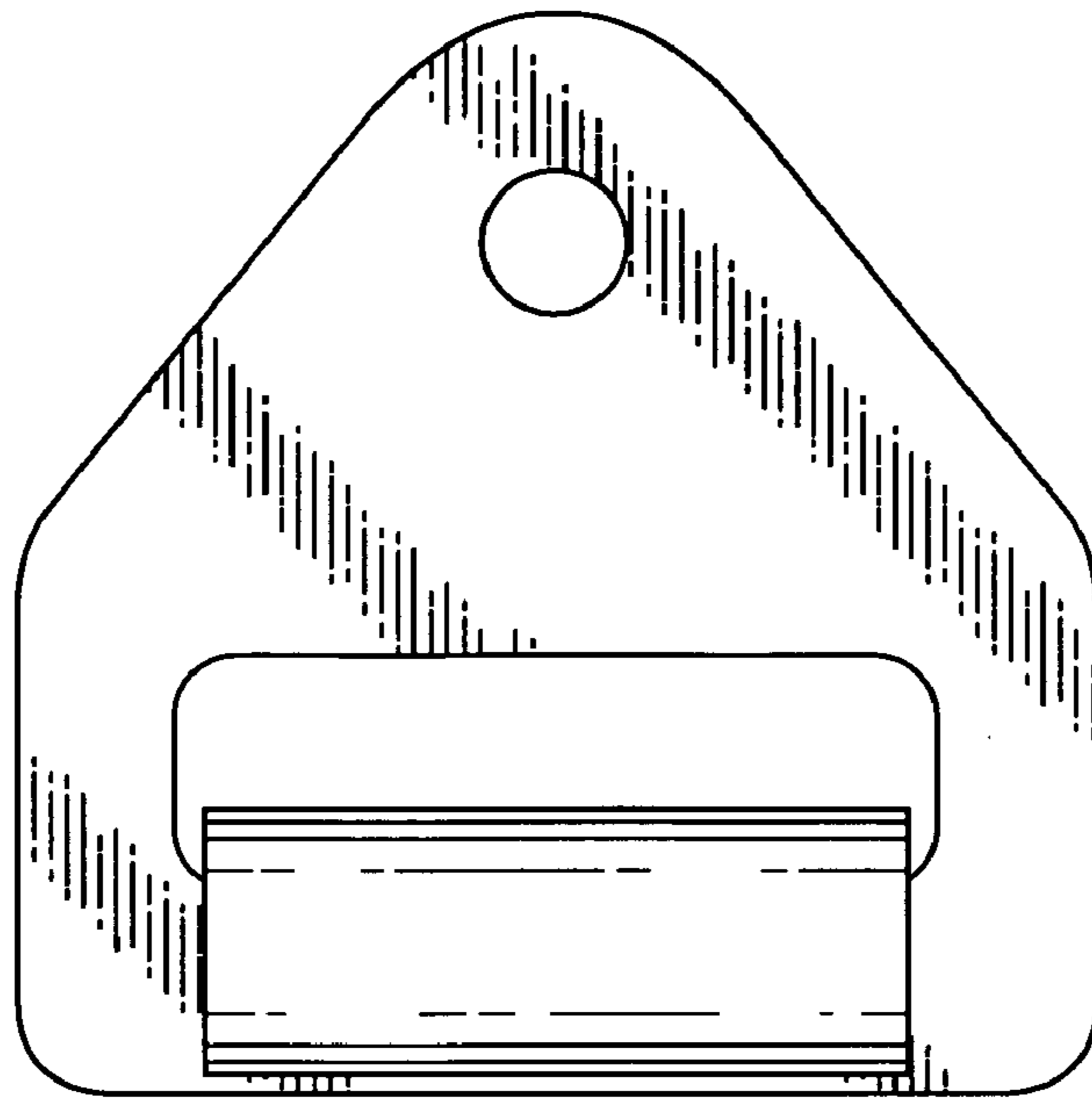


FIG. 2

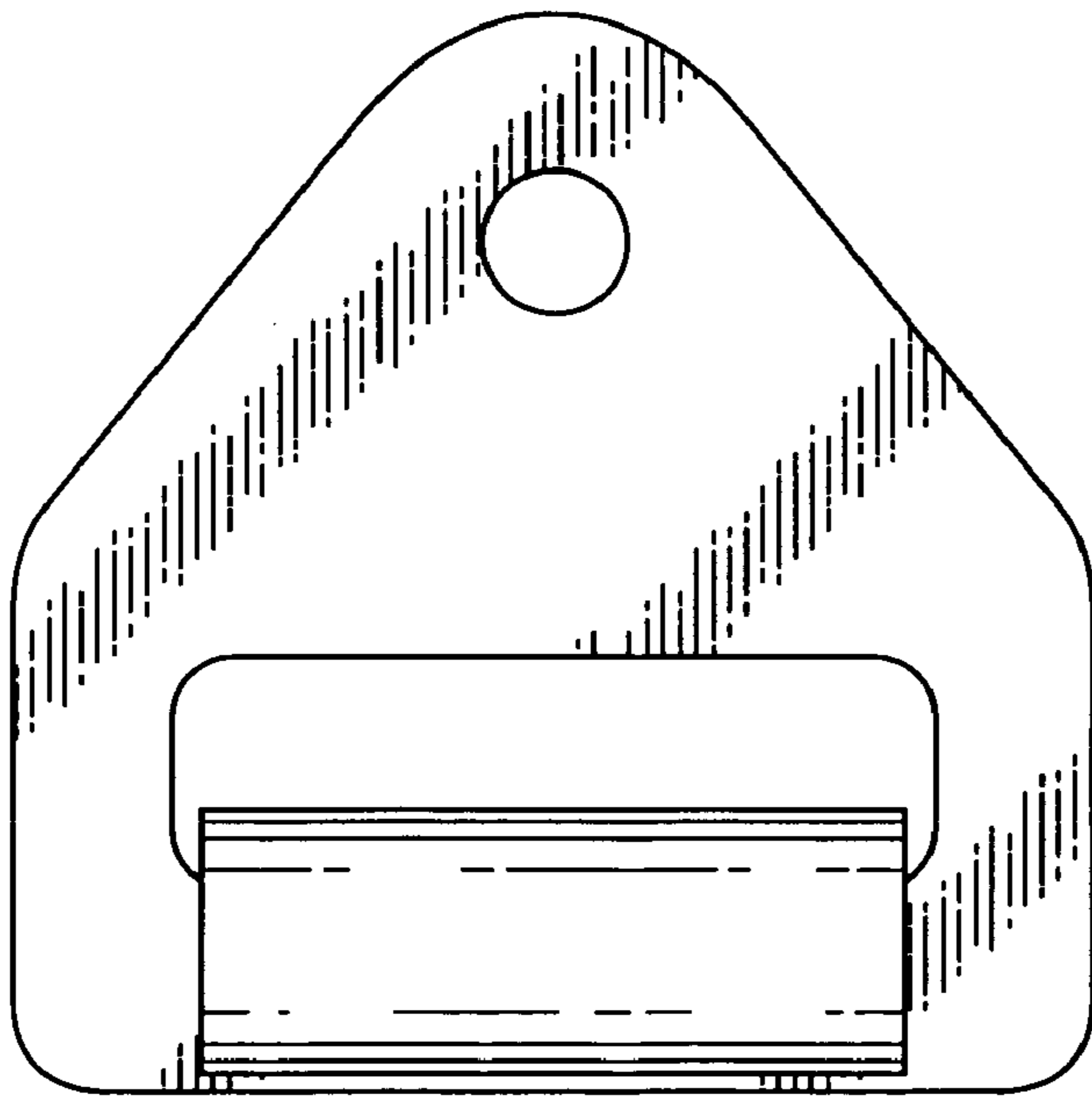


FIG. 3

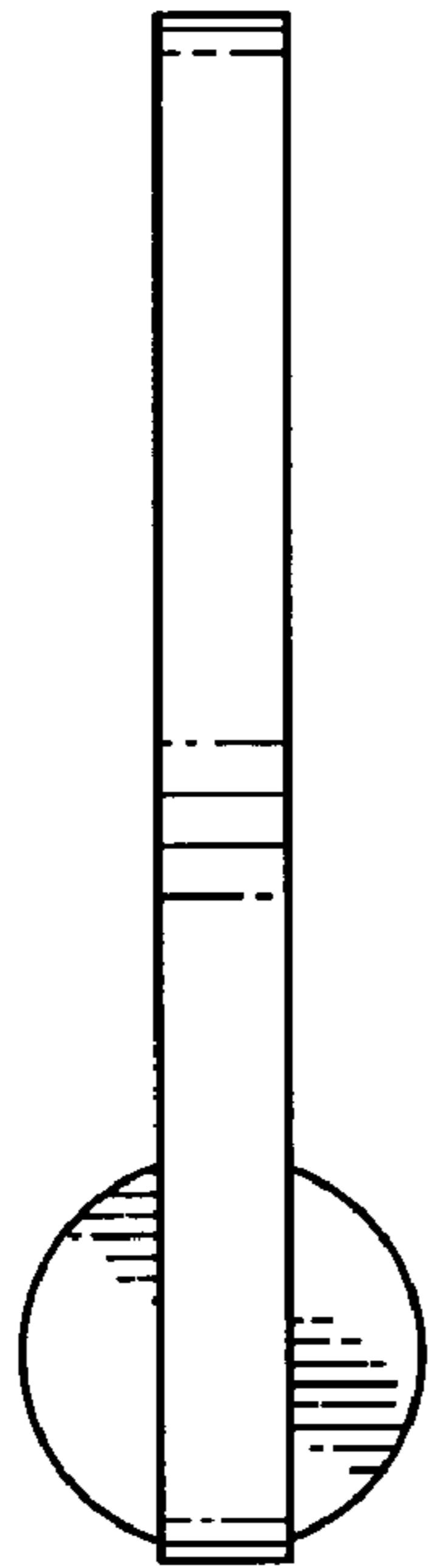


FIG. 4

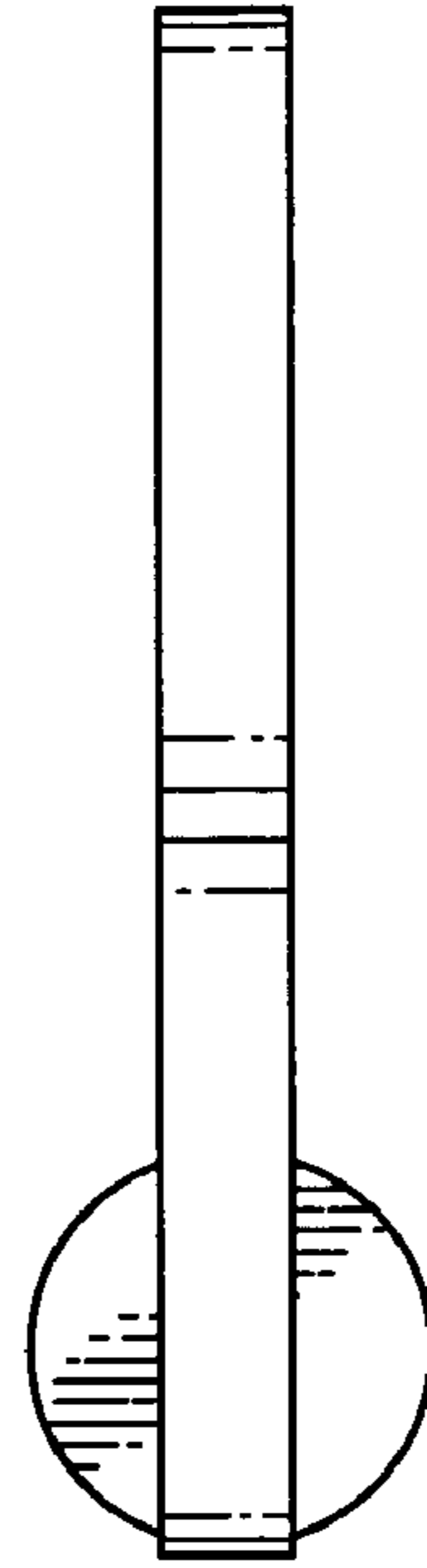


FIG. 5

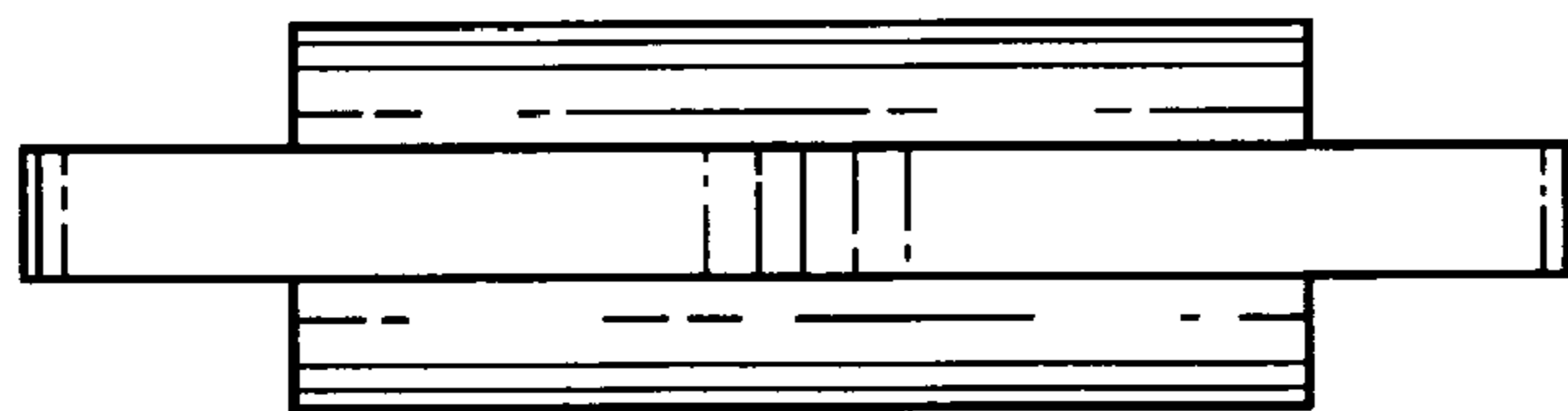


FIG. 6

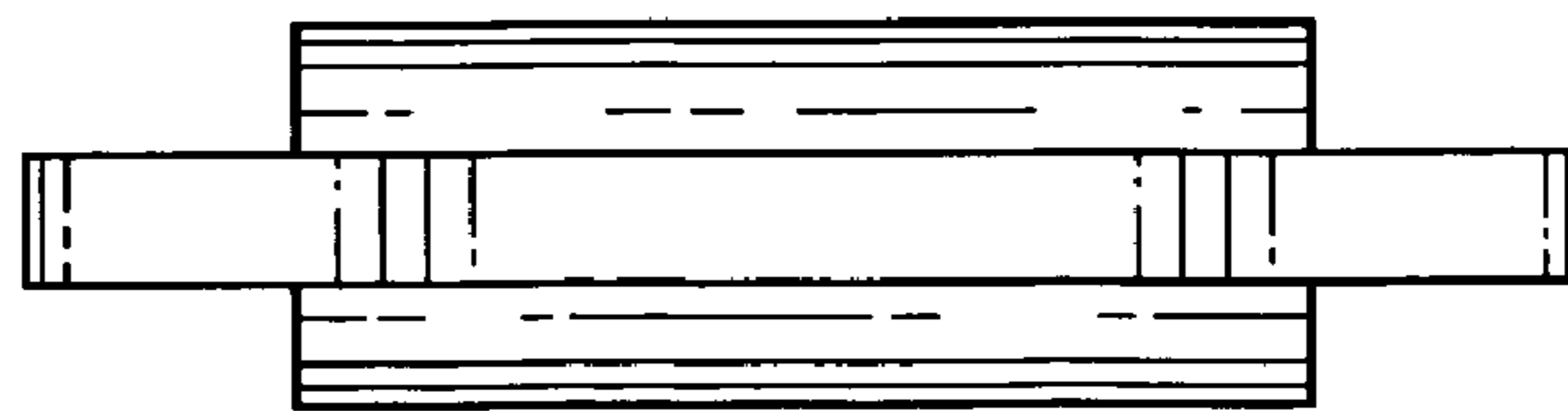


FIG. 7

