



US00D673441S

(12) **United States Design Patent**
Sung

(10) **Patent No.:** **US D673,441 S**
(45) **Date of Patent:** **** Jan. 1, 2013**

- (54) **REVOLVER KNIFE**
 - (75) Inventor: **Shao Ching Sung**, Ontario (CA)
 - (73) Assignee: **Pacific Solution Marketing, Inc.**,
Ontario (CA)
 - (**) Term: **14 Years**
 - (21) Appl. No.: **29/409,199**
 - (22) Filed: **Dec. 21, 2011**
 - (51) **LOC (9) Cl.** **08-03**
 - (52) **U.S. Cl.** **D8/100**
 - (58) **Field of Classification Search** D8/30,
D8/95-99, 100, 105, 107; D22/101, 104;
30/143, 154-162, 329-331; D21/573-575;
42/53
- See application file for complete search history.

- D530,386 S * 10/2006 Betts et al. D22/101
- D587,778 S * 3/2009 Zajk D22/104
- 7,946,041 B2 * 5/2011 Frankl 30/517

OTHER PUBLICATIONS

EMS Multi Safety Gun Shape Knife. Downloaded at <http://www.aliexpress.com/product-gs/533069531-EMS-Free-shipping-The-multi-safety-g...> on Mar. 20, 2012.*

Mtech™ Tac-Force Assisted Opening Law Enforcement Gun Linerlock. Downloaded at <http://www.smkw.com/webapp/eCommerce/products/gun+knives/Mtech%26%23153%3B...> on Mar. 22, 2012.*

Gun-Style-Knife. Downloaded at <http://www.ebay.com/itm/Gun-Style-Knife-4-5-Closed-Grey-Handle-Knife-/25102488396...> on Mar. 25, 2012.*

* cited by examiner

Primary Examiner — Philip S Hyder
Assistant Examiner — Roselynn Cody
 (74) *Attorney, Agent, or Firm* — Raj Abhyanker, P.C.

(57) **CLAIM**

The ornamental design for a revolver knife, as shown and described.

DESCRIPTION

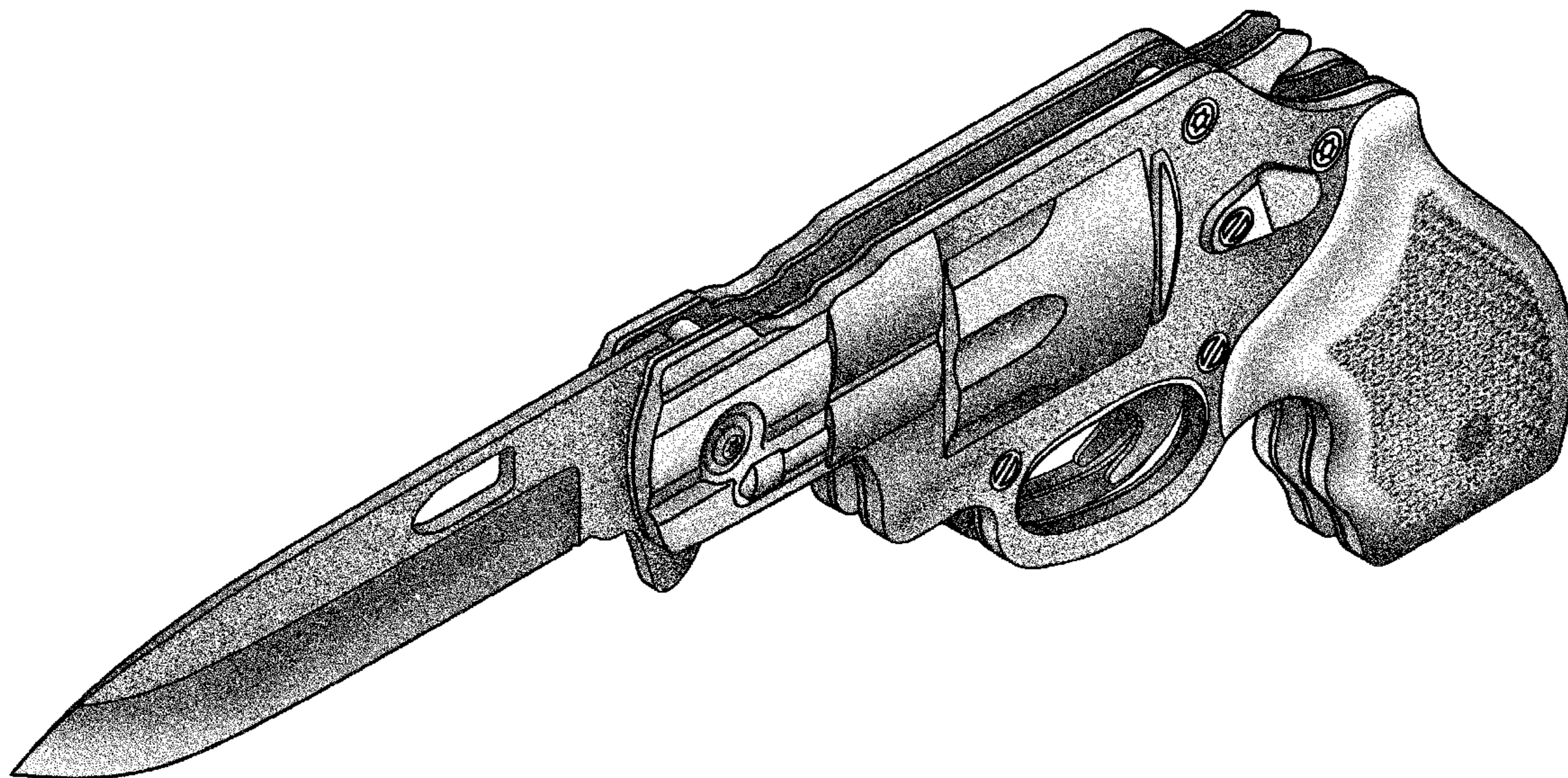
FIG. 1 is a perspective view of a revolver knife, comprised of a revolver-look base portion and a concealable knife portion. FIG. 2 is a front side view of FIG. 1; FIG. 3 is a back side view of FIG. 1; FIG. 4 is a top view of FIG. 1; FIG. 5 is a bottom view of FIG. 1; FIG. 6 is a right side view of FIG. 1; and, FIG. 7 is a left side view of FIG. 1.

1 Claim, 3 Drawing Sheets

(56) **References Cited**

U.S. PATENT DOCUMENTS

- 736,741 A * 8/1903 Klemm 30/143
- 755,773 A * 3/1904 Hoerr 42/53
- 1,330,062 A * 2/1920 Dluzniewski 42/53
- 1,384,644 A * 7/1921 Stuller 42/53
- 1,614,353 A * 1/1927 Ebert 42/53
- D170,892 S * 11/1953 Schoenwald D8/30
- 3,255,745 A * 6/1966 Renshaw 124/10
- D206,235 S * 11/1966 Ryan et al. D21/575
- D276,887 S * 12/1984 Sakurai D8/99
- D301,911 S * 6/1989 Ruger et al. D22/104
- D316,442 S * 4/1991 Guidat et al. D22/104



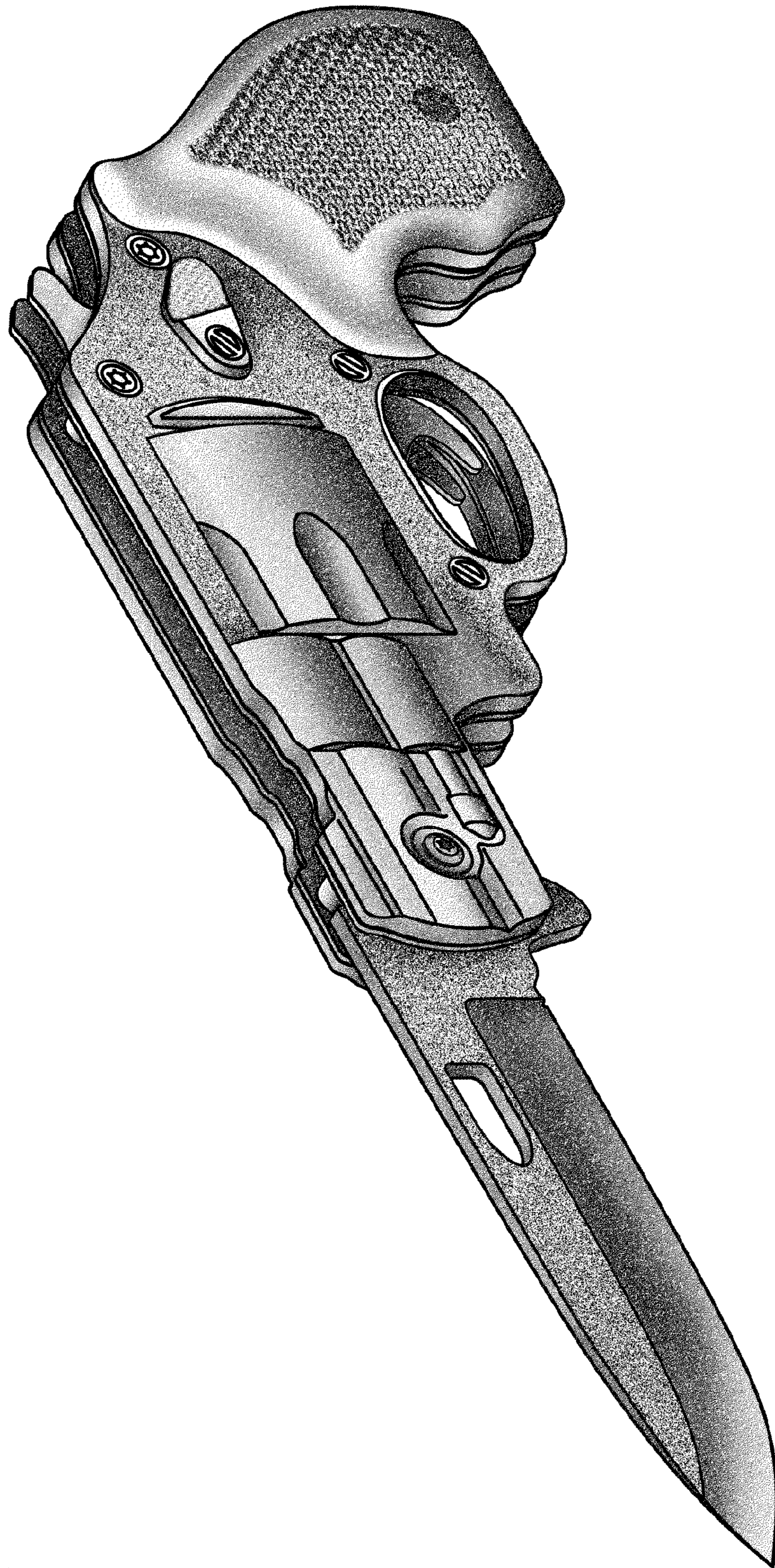


FIG. 1

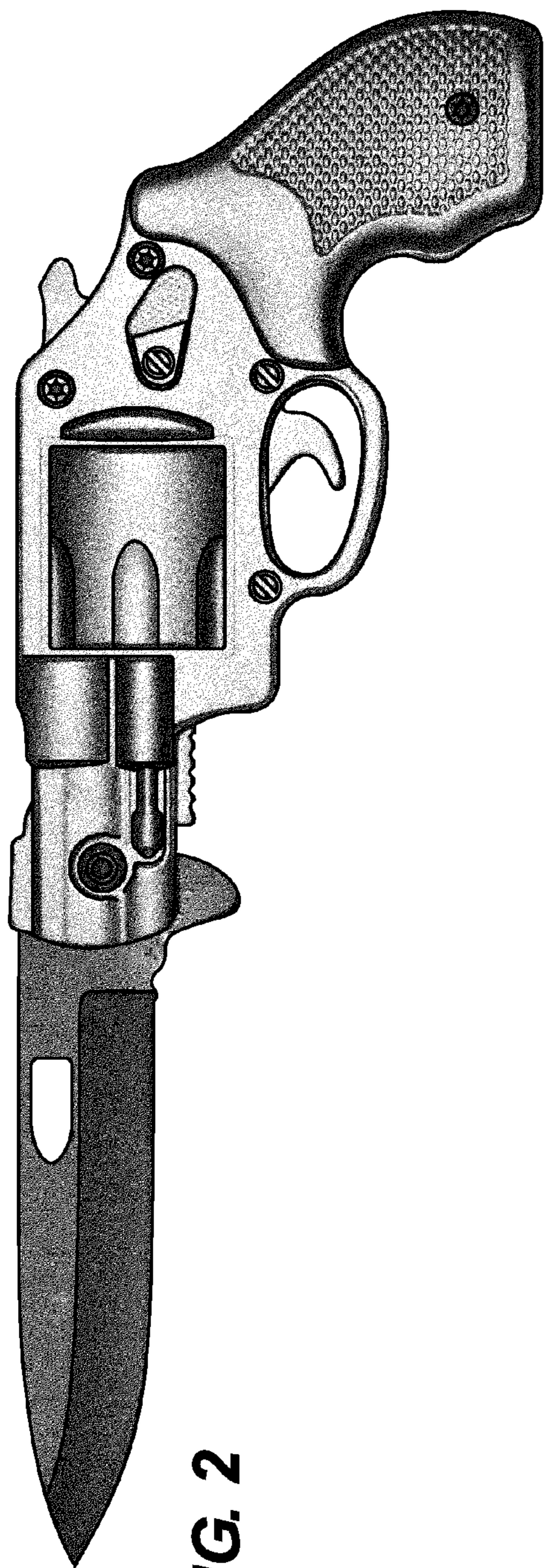


FIG. 2

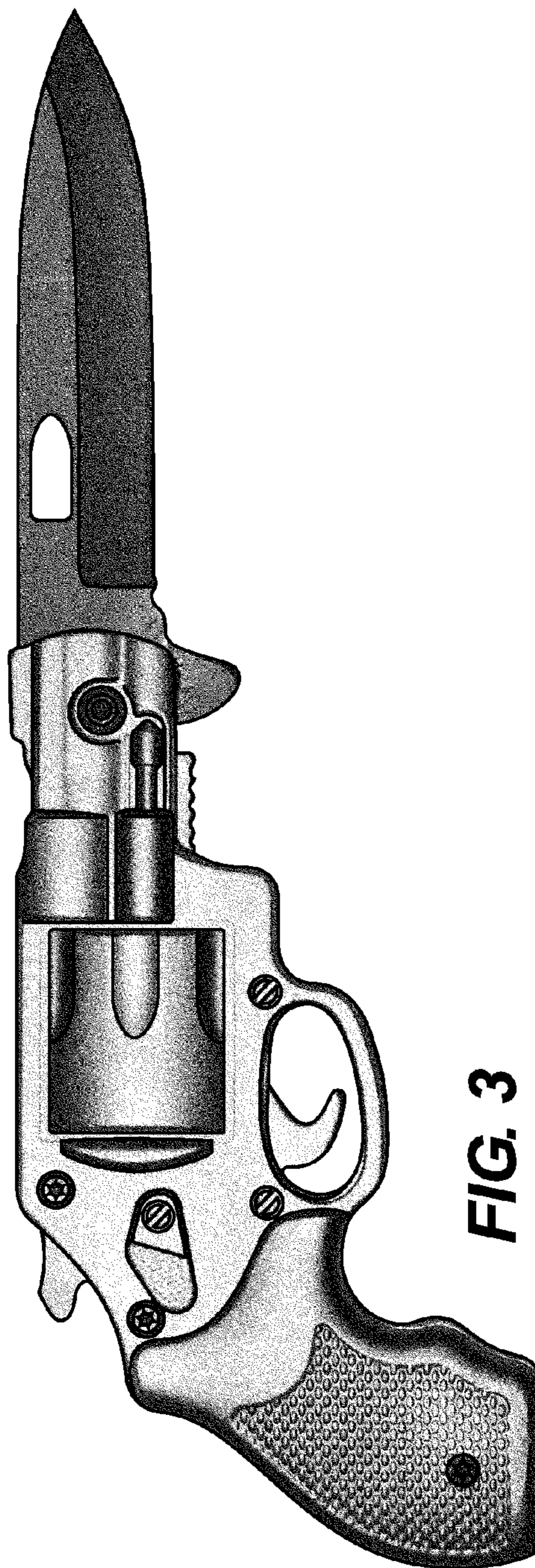


FIG. 3

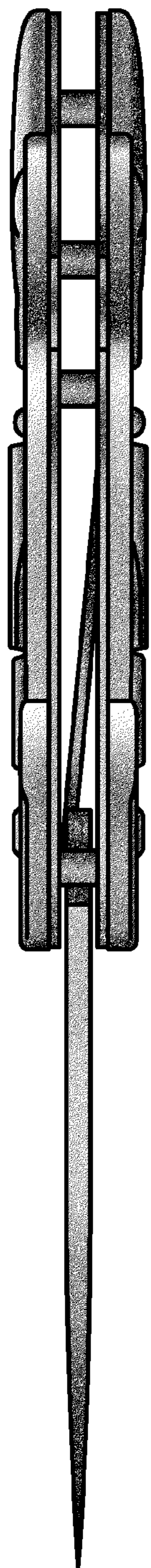


FIG. 4

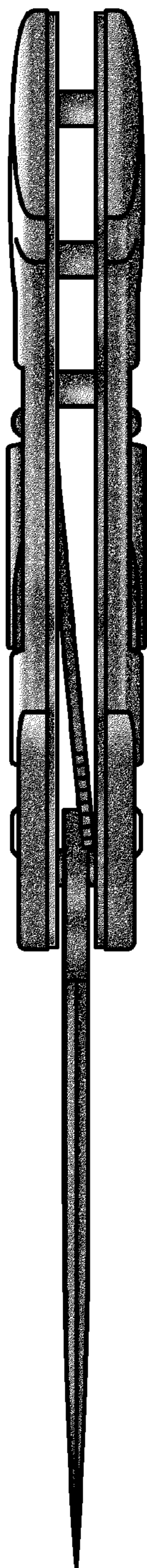


FIG. 5

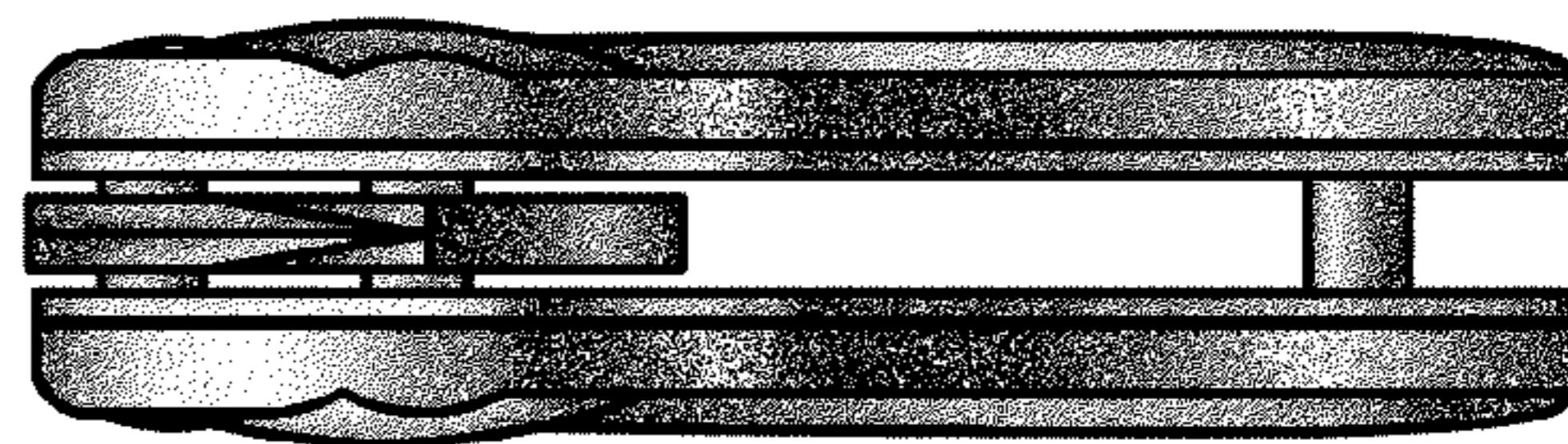


FIG. 6

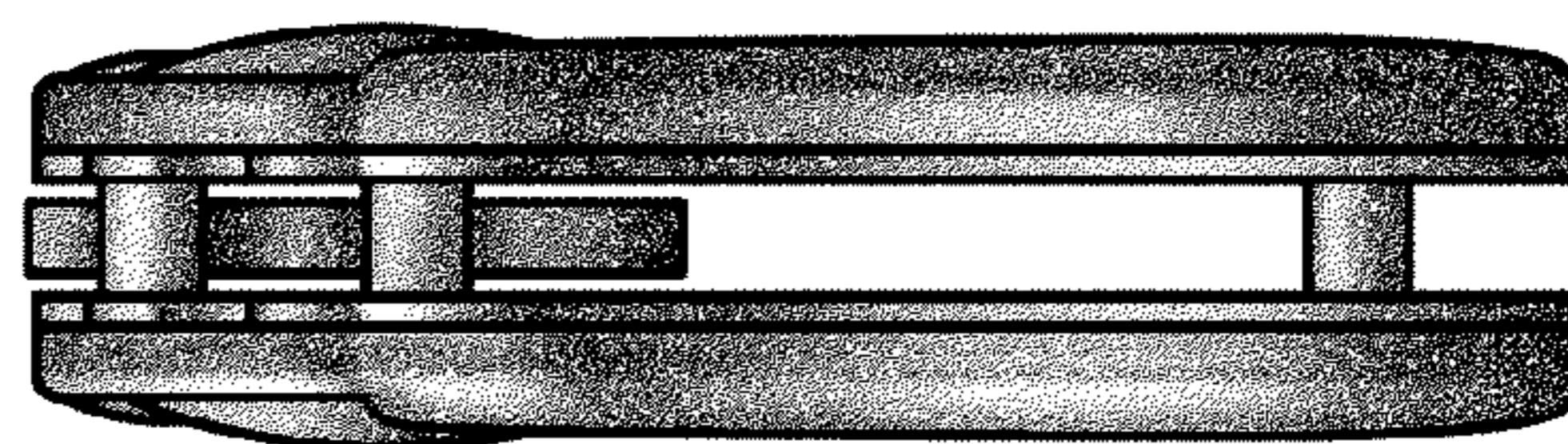


FIG. 7