



US00D673439S

(12) **United States Design Patent**  
**Wu**

(10) **Patent No.:** **US D673,439 S**  
(45) **Date of Patent:** **\*\* Jan. 1, 2013**

(54) **KNIFE SHARPENER**  
(75) Inventor: **Shih-Piao Wu**, Changhua (TW)  
(73) Assignee: **Jiin Haur Industrial Co. Ltd.**,  
Changhua (TW)  
(\*\*) Term: **14 Years**  
(21) Appl. No.: **29/389,898**

D335,075 S \* 4/1993 Martin ..... D8/93  
5,492,037 A \* 2/1996 Graham ..... 26/83  
D390,084 S \* 2/1998 McCabe, Jr. .... D8/62  
6,039,642 A \* 3/2000 Collins ..... 451/557  
D469,326 S \* 1/2003 Dahms ..... D8/93  
D541,615 S \* 5/2007 Wu ..... D8/93  
7,381,120 B2 \* 6/2008 Henry ..... 451/439  
D618,532 S \* 6/2010 Wu ..... D8/71  
D618,979 S \* 7/2010 deBretton Gordon ..... D8/93

\* cited by examiner

(22) Filed: **Apr. 18, 2011**  
(51) **LOC (9) Cl.** ..... **08-05**  
(52) **U.S. Cl.** ..... **D8/93**  
(58) **Field of Classification Search** ..... D8/63,  
D8/71, 90, 91, 92, 93, 94; 76/82, 86, 87,  
76/88; 254/552, 553, 555, 558; 451/163,  
451/177, 188, 192, 241, 319, 320, 321, 371,  
451/420, 422, 438, 439, 523, 545, 549, 555  
See application file for complete search history.

*Primary Examiner* — Philip S Hyder  
*Assistant Examiner* — John T Applewhite  
(74) *Attorney, Agent, or Firm* — Che-Yang Chen; Law  
Office of Michael Chen

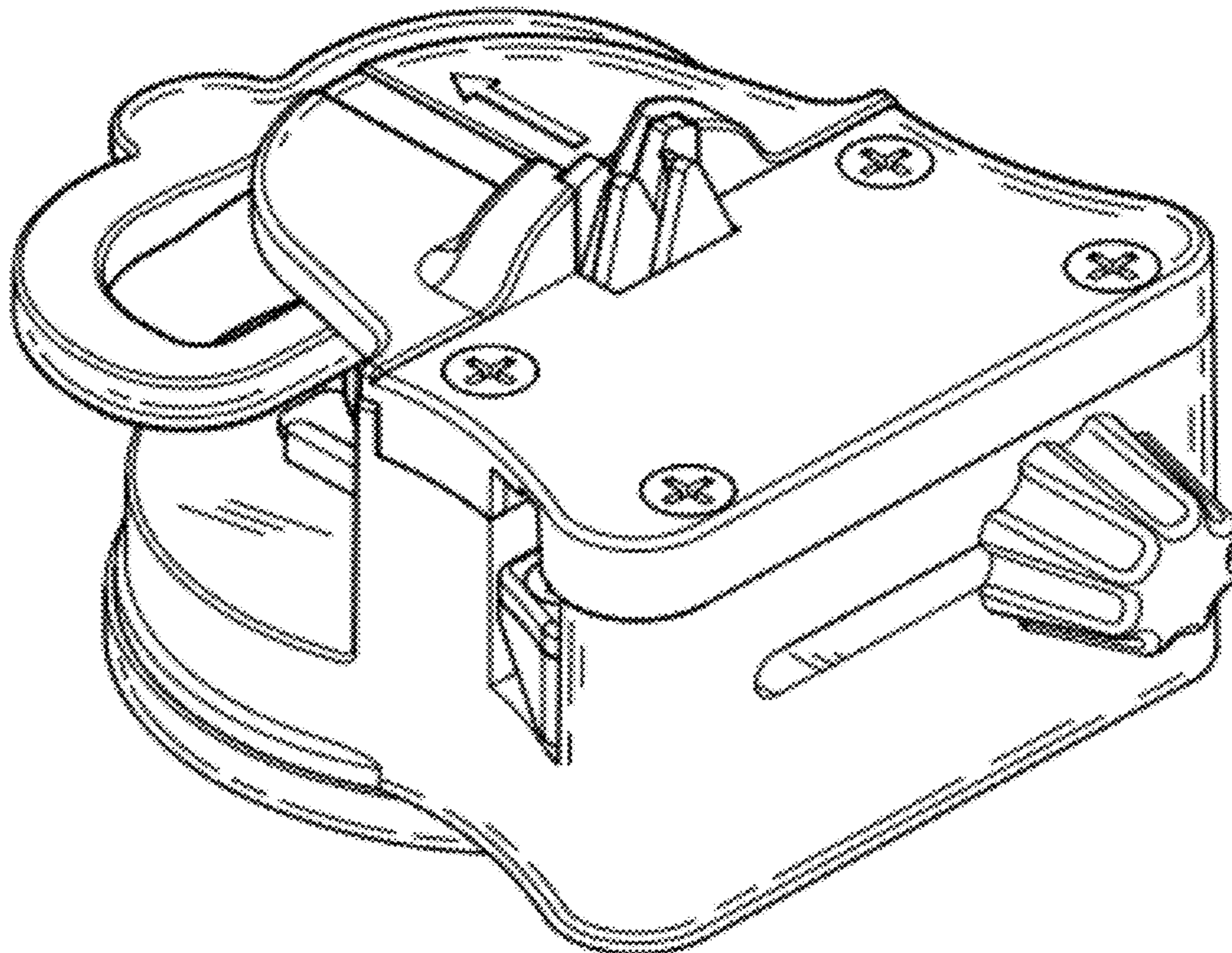
(57) **CLAIM**  
The ornamental design for a knife sharpener, as shown and  
described.

**DESCRIPTION**

FIG. 1 is a perspective view of a knife sharpener showing my  
new design;  
FIG. 2 is a front view of the embodiment shown in FIG. 1;  
FIG. 3 is a rear view of the embodiment shown in FIG. 1;  
FIG. 4 is a left side view of the embodiment shown in FIG. 1;  
FIG. 5 is a right side view of the embodiment shown in FIG.  
1; and,  
FIG. 6 is a top view of the embodiment shown in FIG. 1.

(56) **References Cited**  
U.S. PATENT DOCUMENTS  
D299,614 S \* 1/1989 Young ..... D8/93  
D304,153 S \* 10/1989 Reichow ..... D8/93  
D304,288 S \* 10/1989 Young ..... D8/93  
D317,554 S \* 6/1991 Young ..... D8/93  
D327,833 S \* 7/1992 Micoley ..... D8/93

**1 Claim, 4 Drawing Sheets**



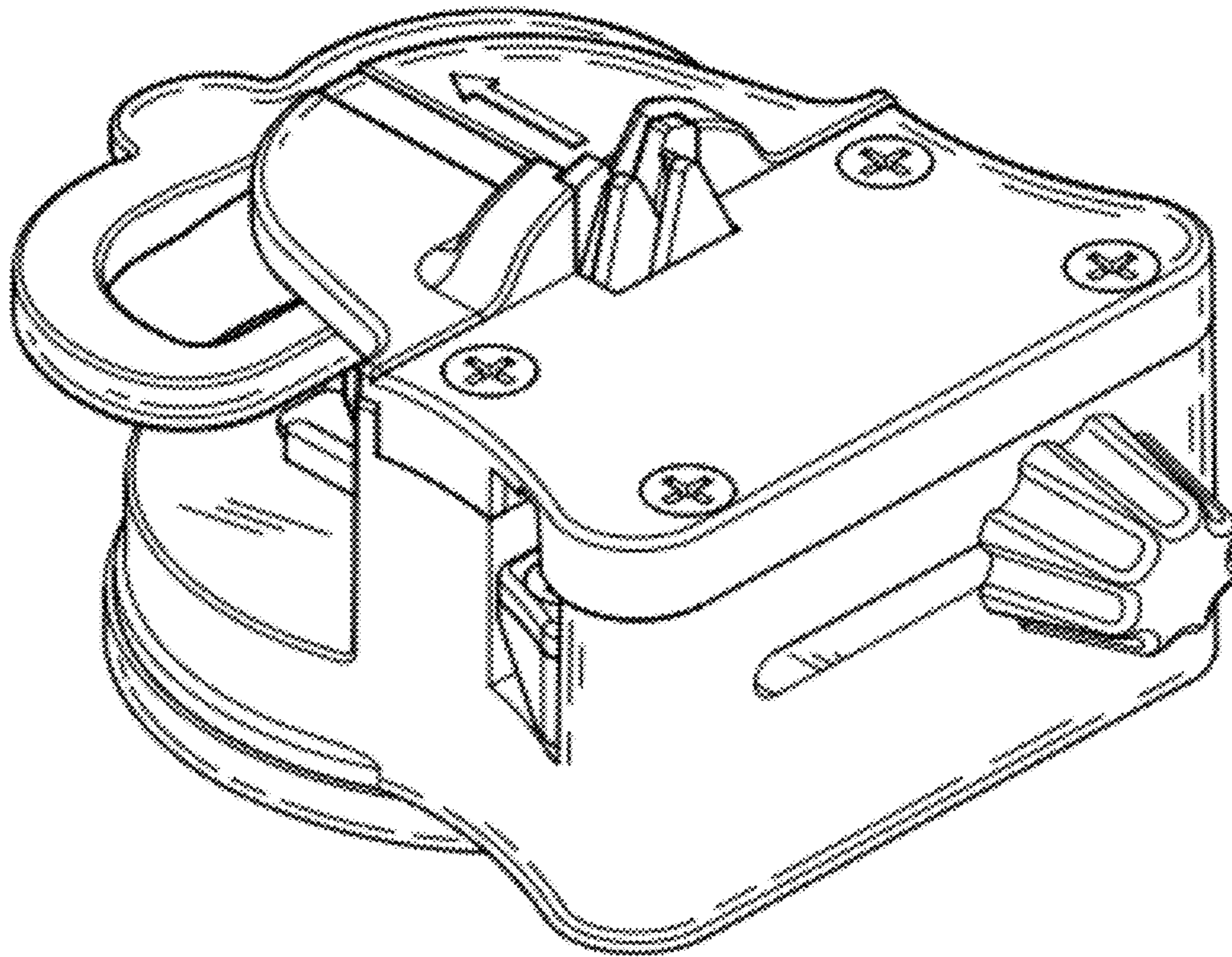


FIG. 1



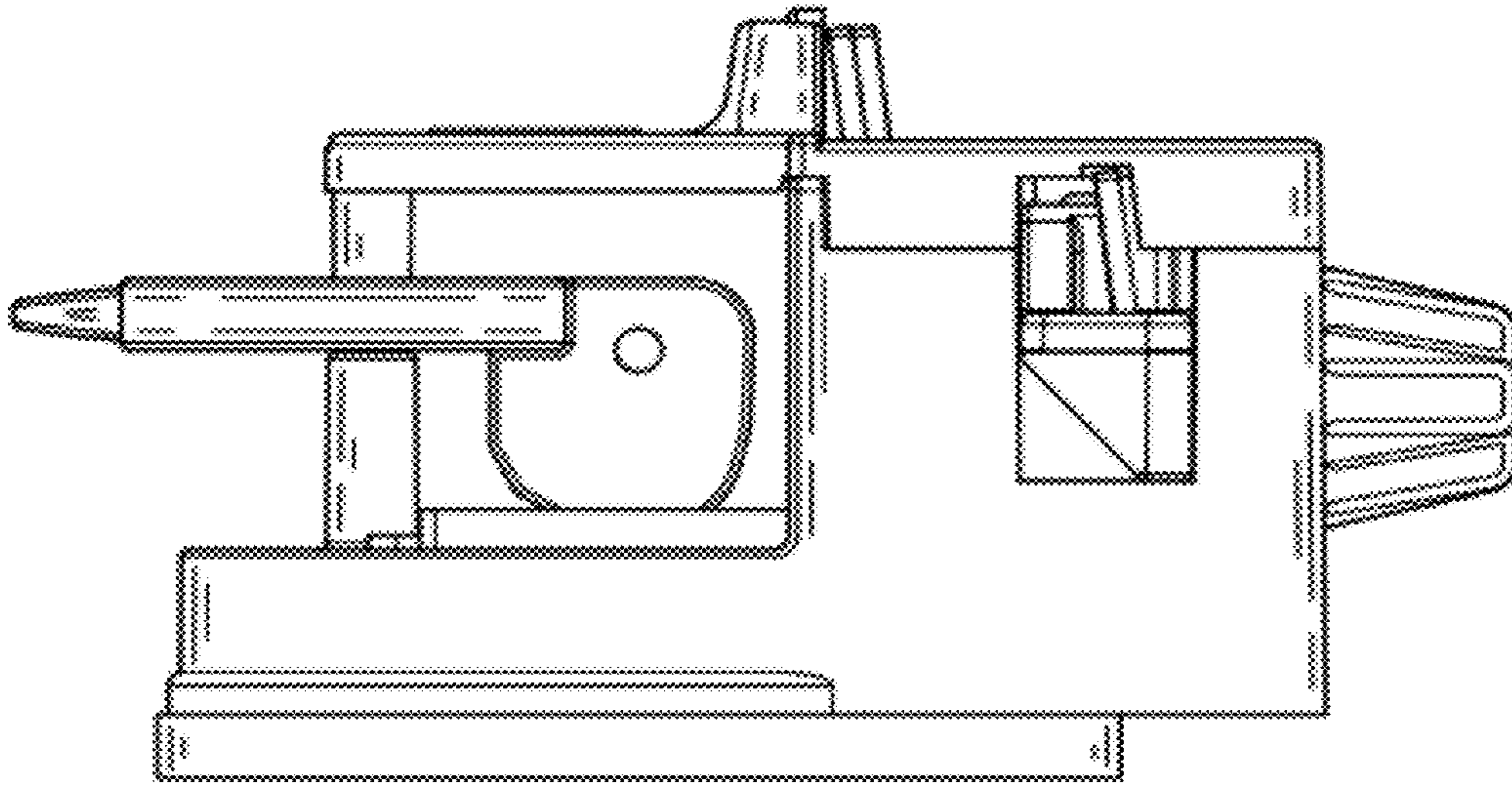


FIG. 2

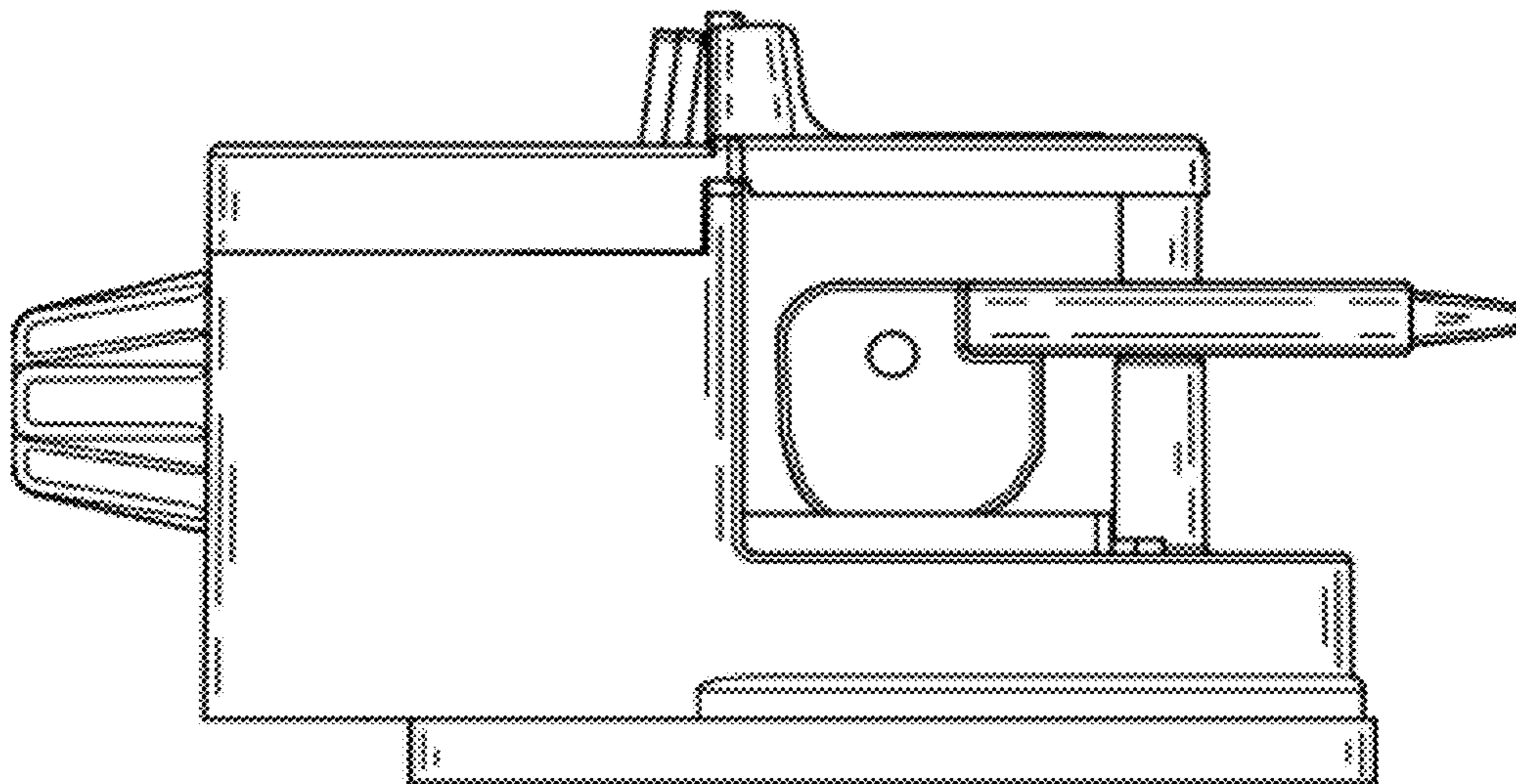


FIG. 3

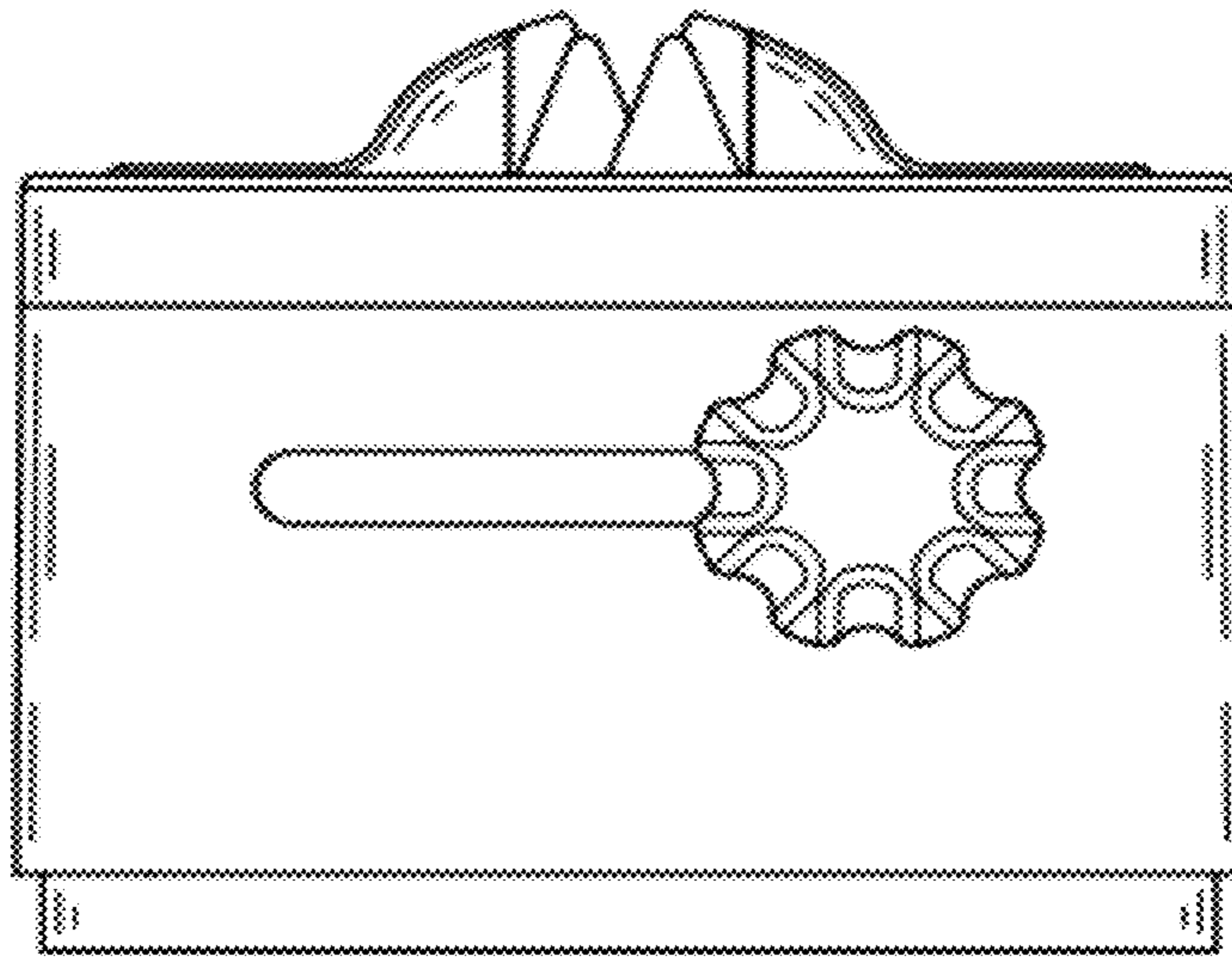


FIG. 4

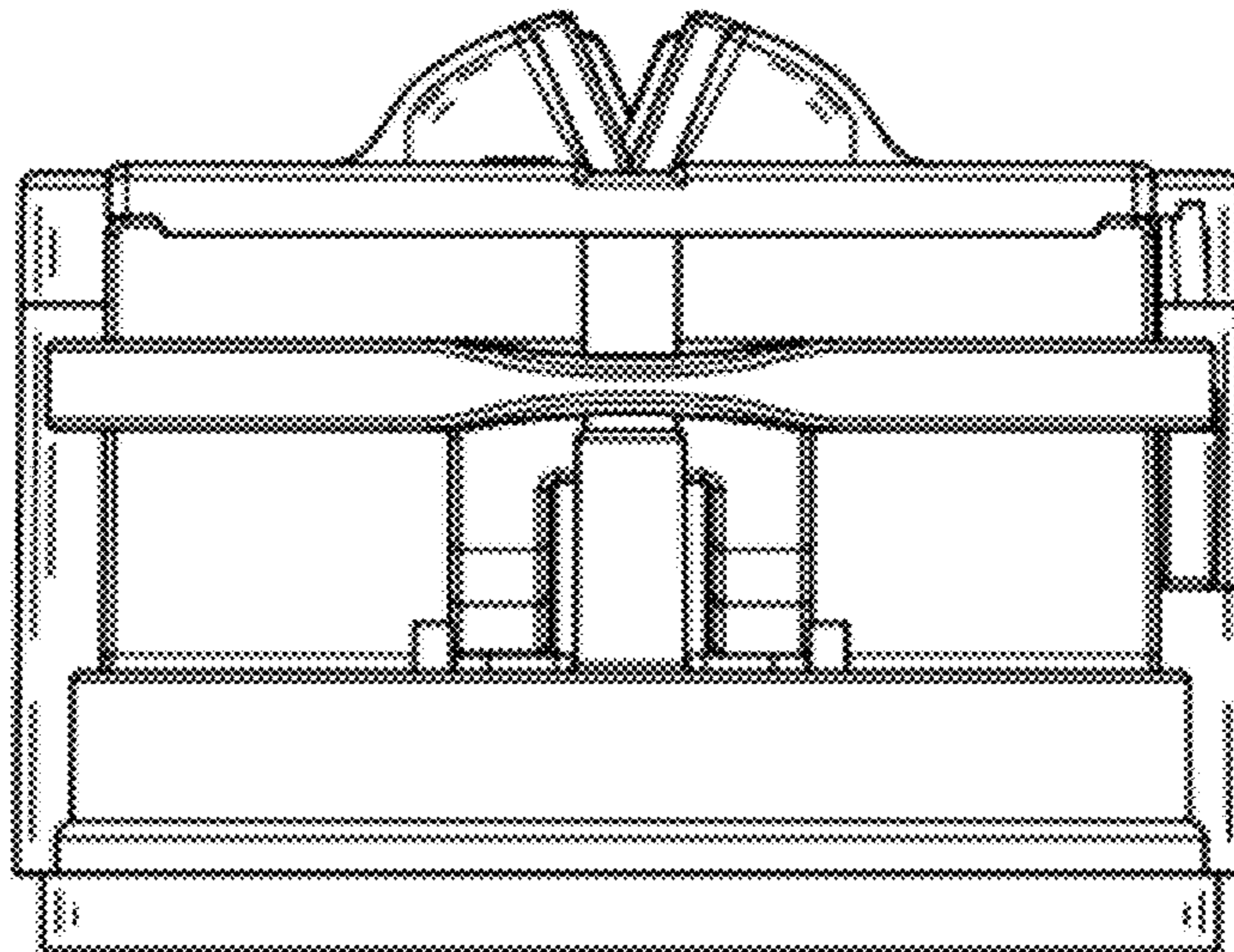


FIG. 5

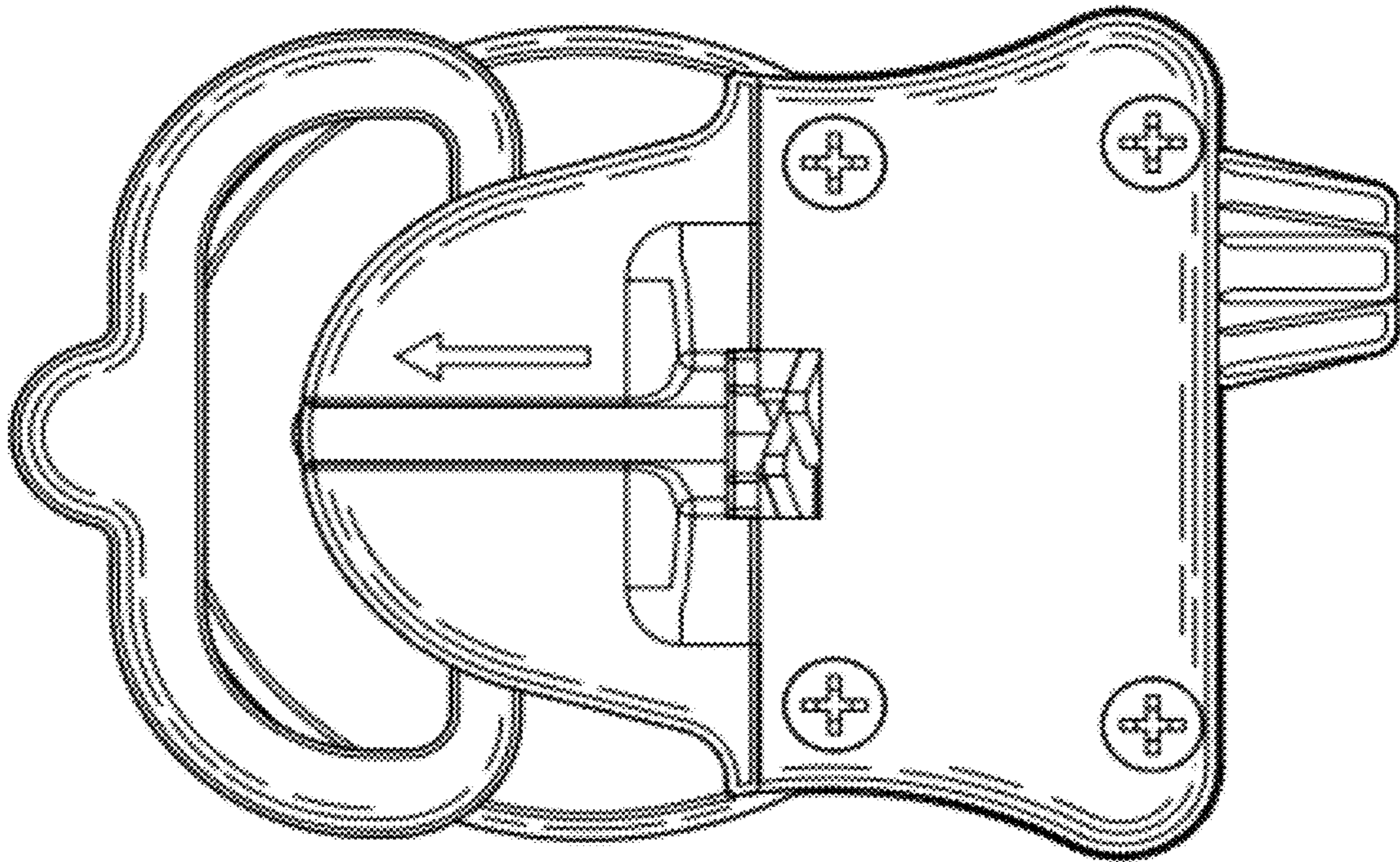


FIG. 6