



US00D673437S

(12) **United States Design Patent**
Schoch

(10) **Patent No.:** **US D673,437 S**
(45) **Date of Patent:** **** Jan. 1, 2013**

- (54) **DRILL DRIVER**
- (75) Inventor: **Robert B. Schoch**, Baltimore, MD (US)
- (73) Assignee: **Black & Decker Inc.**, Newark, DE (US)
- (**) Term: **14 Years**
- (21) Appl. No.: **29/392,215**
- (22) Filed: **May 18, 2011**
- (51) **LOC (9) Cl.** **08-04**
- (52) **U.S. Cl.** **D8/68**
- (58) **Field of Classification Search** D8/68;
81/57.11, 429, 469; 173/13, 104, 178, 213,
173/216, 217; 408/20, 124, 125, 234, 241 R
See application file for complete search history.

D585,714 S *	2/2009	Okuda et al.	D8/68
D586,638 S *	2/2009	Aglassinger	D8/68
D605,014 S *	12/2009	Yamamoto	D8/68
D605,486 S *	12/2009	Aglassinger	D8/68
D608,173 S *	1/2010	Ng et al.	D8/68
7,766,097 B2 *	8/2010	Kondo	173/217
D625,164 S *	10/2010	Aglassinger	D8/68
D626,394 S *	11/2010	Lopano	D8/68
D655,994 S *	3/2012	Schoch	D8/68

* cited by examiner

Primary Examiner — Philip S Hyder
Assistant Examiner — John T Applewhite
(74) *Attorney, Agent, or Firm* — Stephen R. Valancius

(57) **CLAIM**
The ornamental design for a drill driver, as shown and described.

(56) **References Cited**

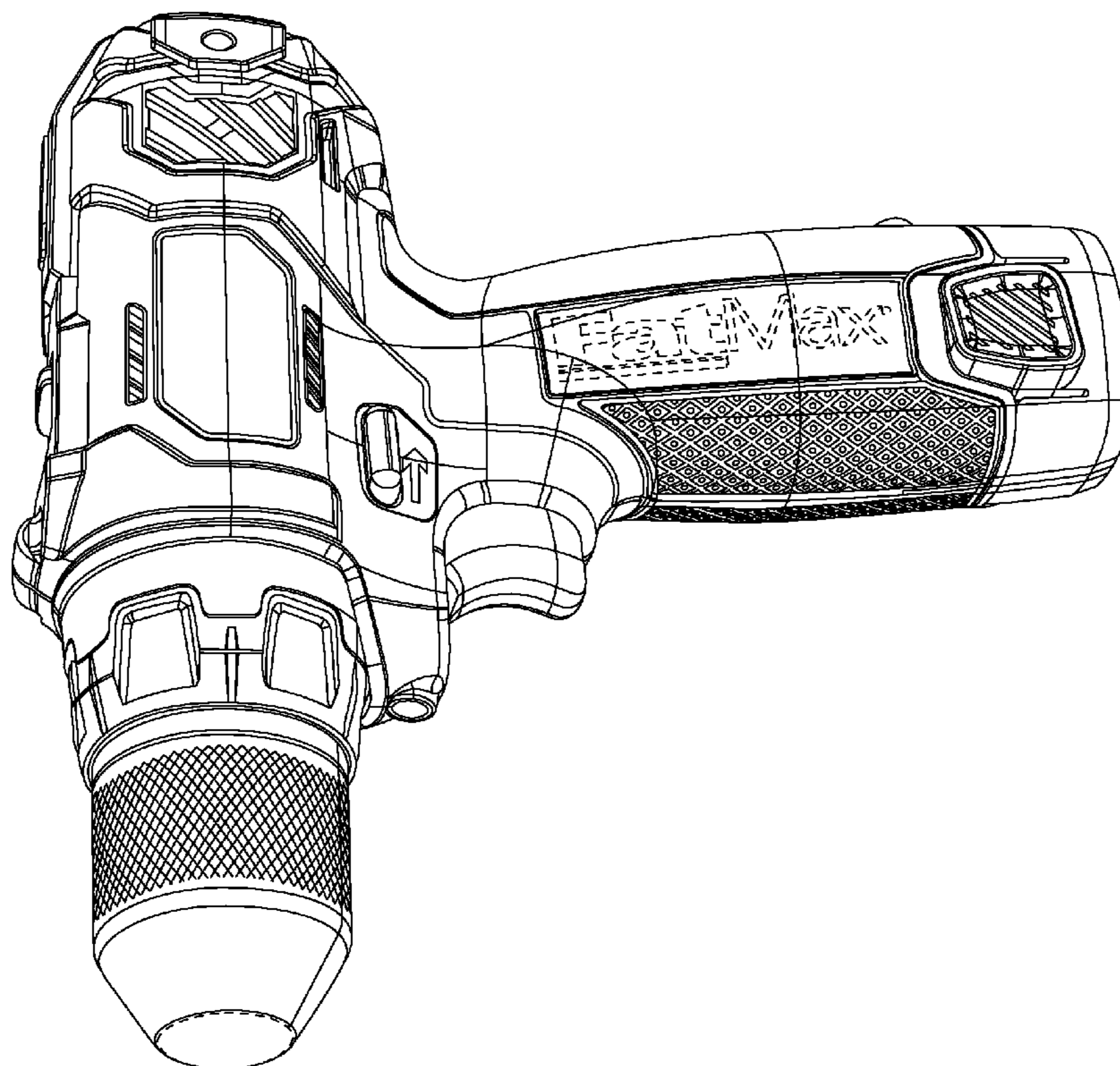
U.S. PATENT DOCUMENTS

D392,530 S *	3/1998	Lui	D8/68
D475,596 S *	6/2003	Ozawa et al.	D8/68
D496,843 S *	10/2004	Sugawara et al.	D8/68
D510,007 S *	9/2005	Yamamoto	D8/68
D520,835 S *	5/2006	Aglassinger	D8/68
D532,667 S *	11/2006	Tsai et al.	D8/68
D534,048 S *	12/2006	Tsai et al.	D8/68
D534,406 S *	1/2007	Tsai et al.	D8/68
D534,779 S *	1/2007	Tsai et al.	D8/68
D536,943 S *	2/2007	Tsai et al.	D8/68
D536,944 S *	2/2007	Tsai et al.	D8/68
D560,990 S *	2/2008	Aglassinger	D8/68
D582,235 S *	12/2008	Murray	D8/68

DESCRIPTION

FIG. 1 is a perspective view of a drill driver according to the present invention;
FIG. 2 is a front view of the drill driver of FIG. 1;
FIG. 3 is a back view of the drill driver of FIG. 1;
FIG. 4 is a right side view of the drill driver of FIG. 1;
FIG. 5 is a left side view of the drill driver of FIG. 1;
FIG. 6 is a top view of the drill driver of FIG. 1; and,
FIG. 7 is a bottom view of the drill driver of FIG. 1.
The portions shown in broken lines form no part of the claimed design but are provided for completeness.

1 Claim, 7 Drawing Sheets



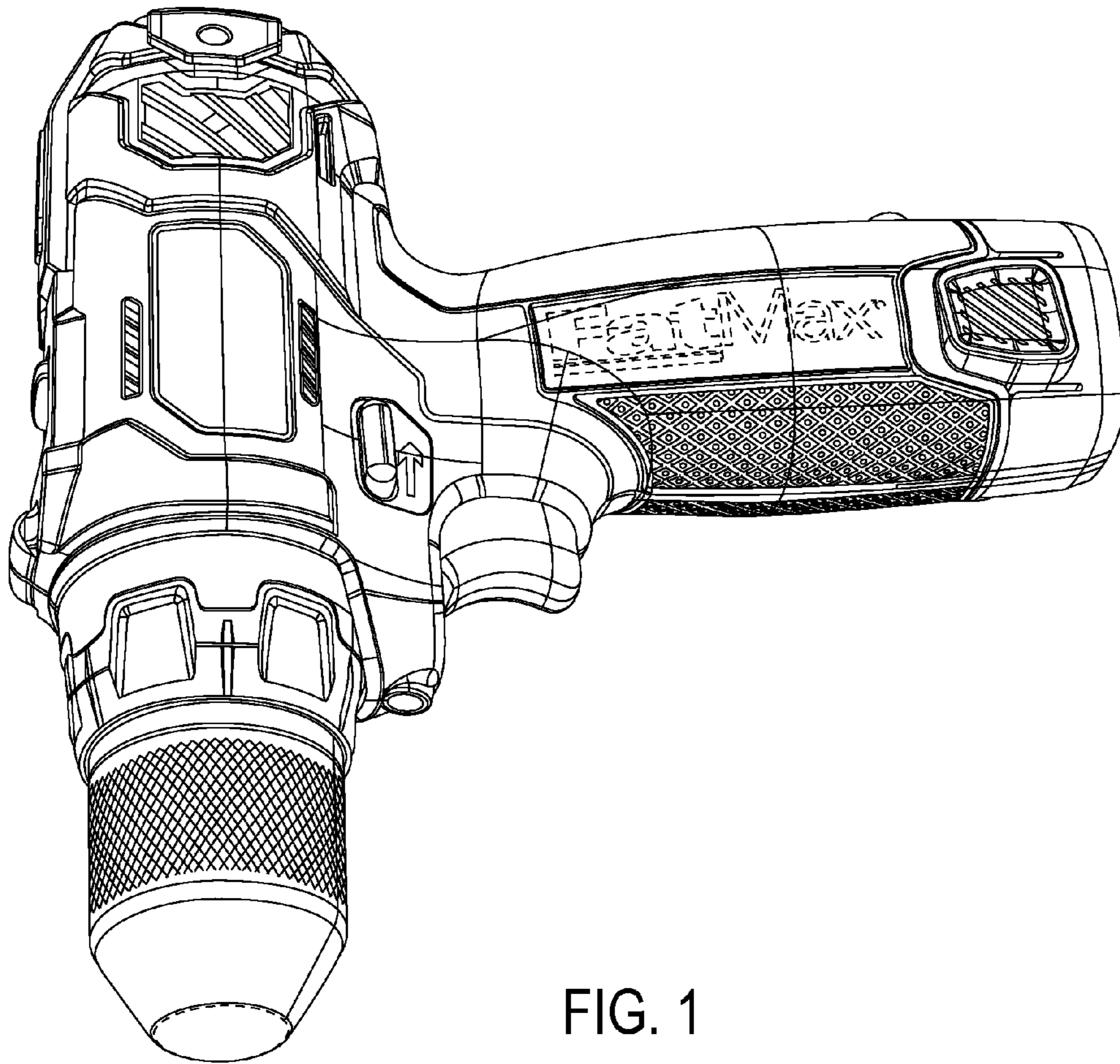


FIG. 1

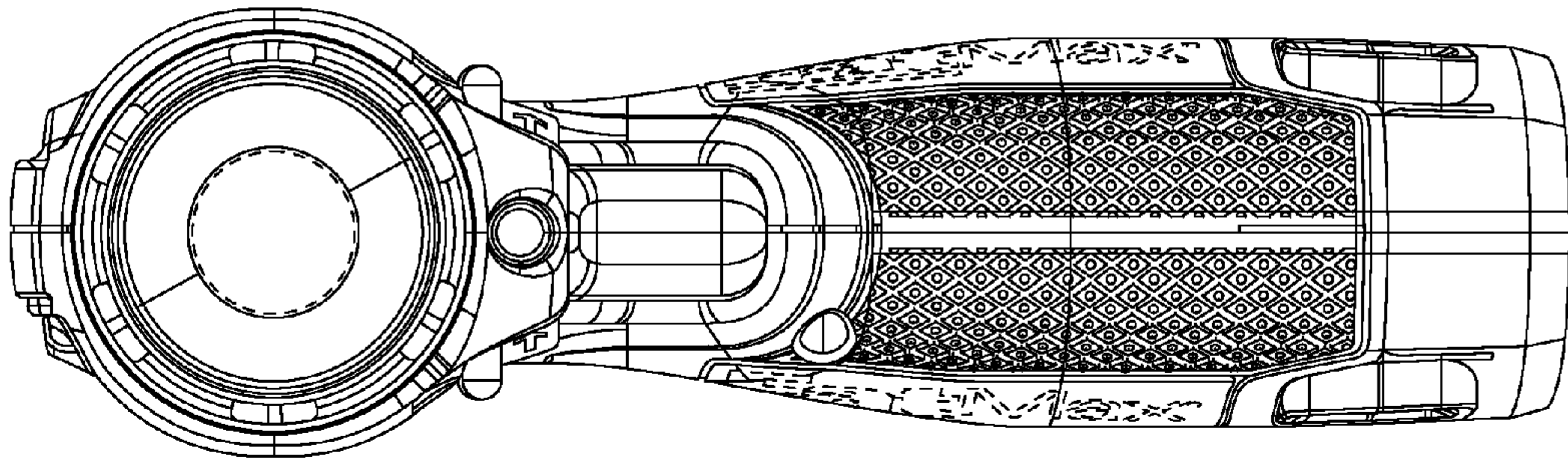


FIG. 2

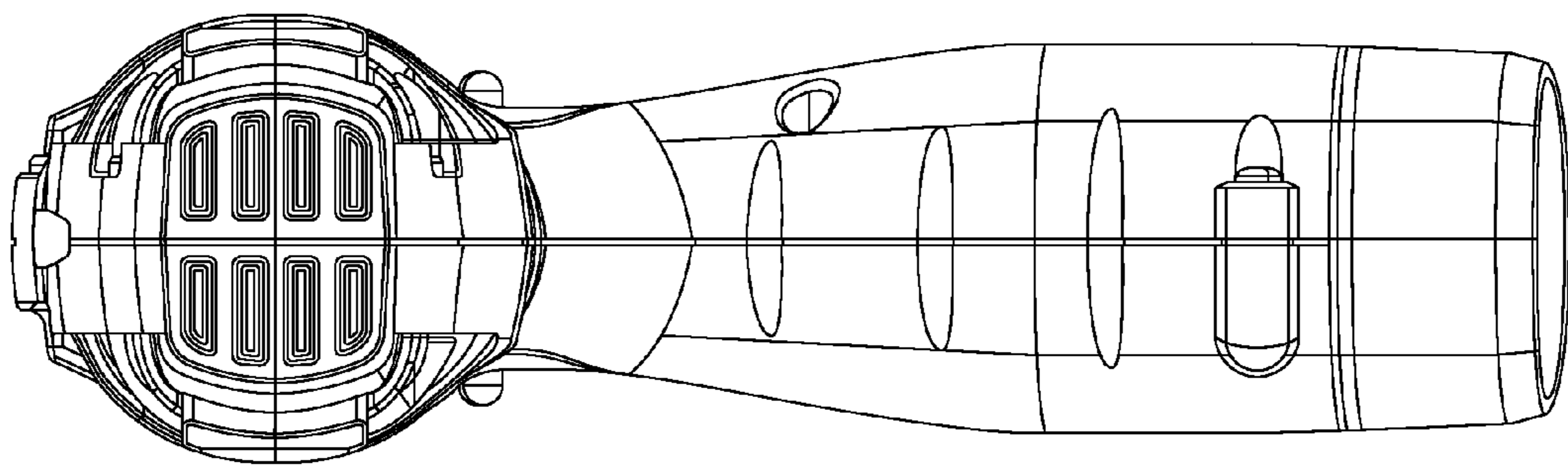


FIG. 3

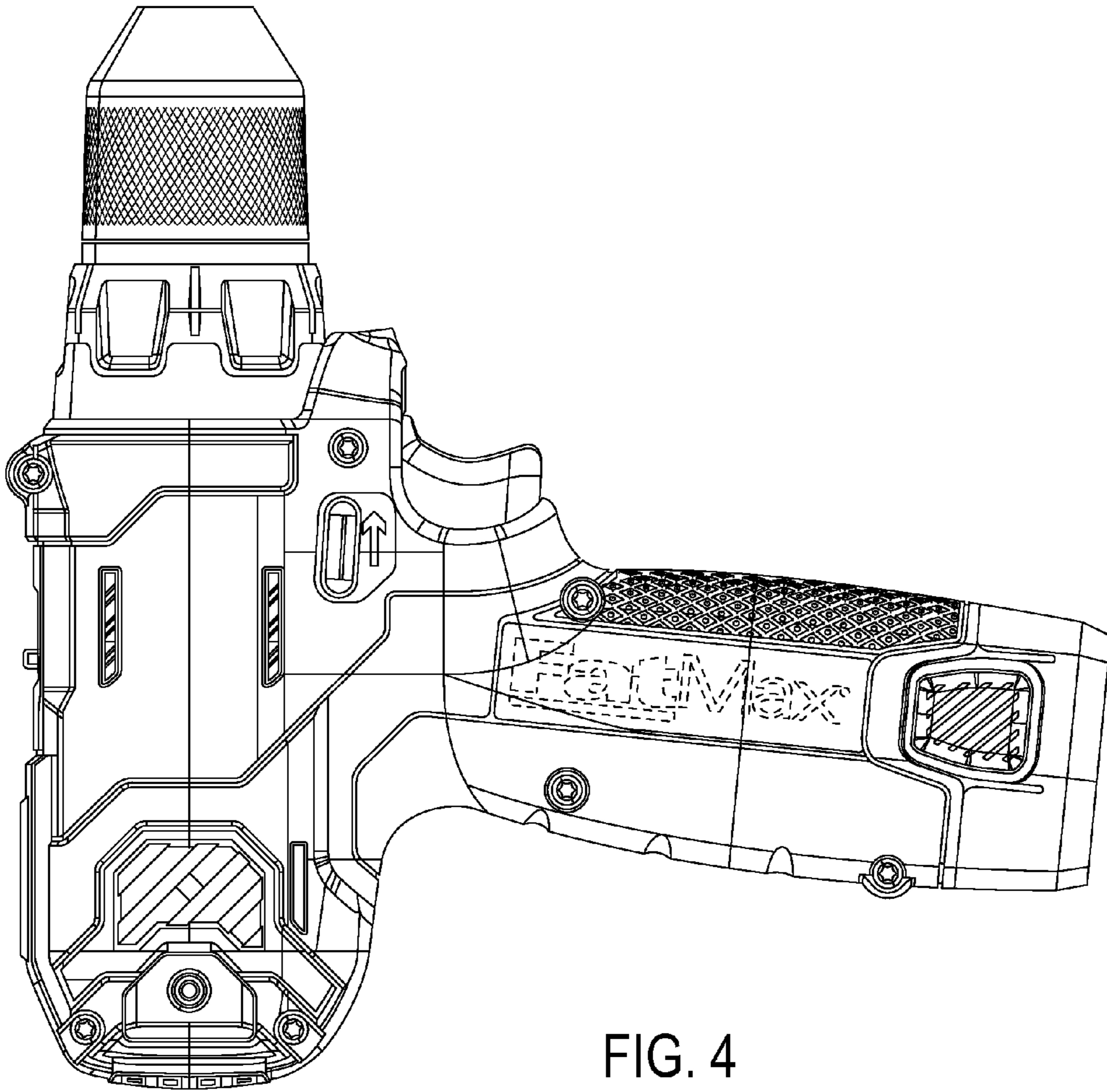


FIG. 4

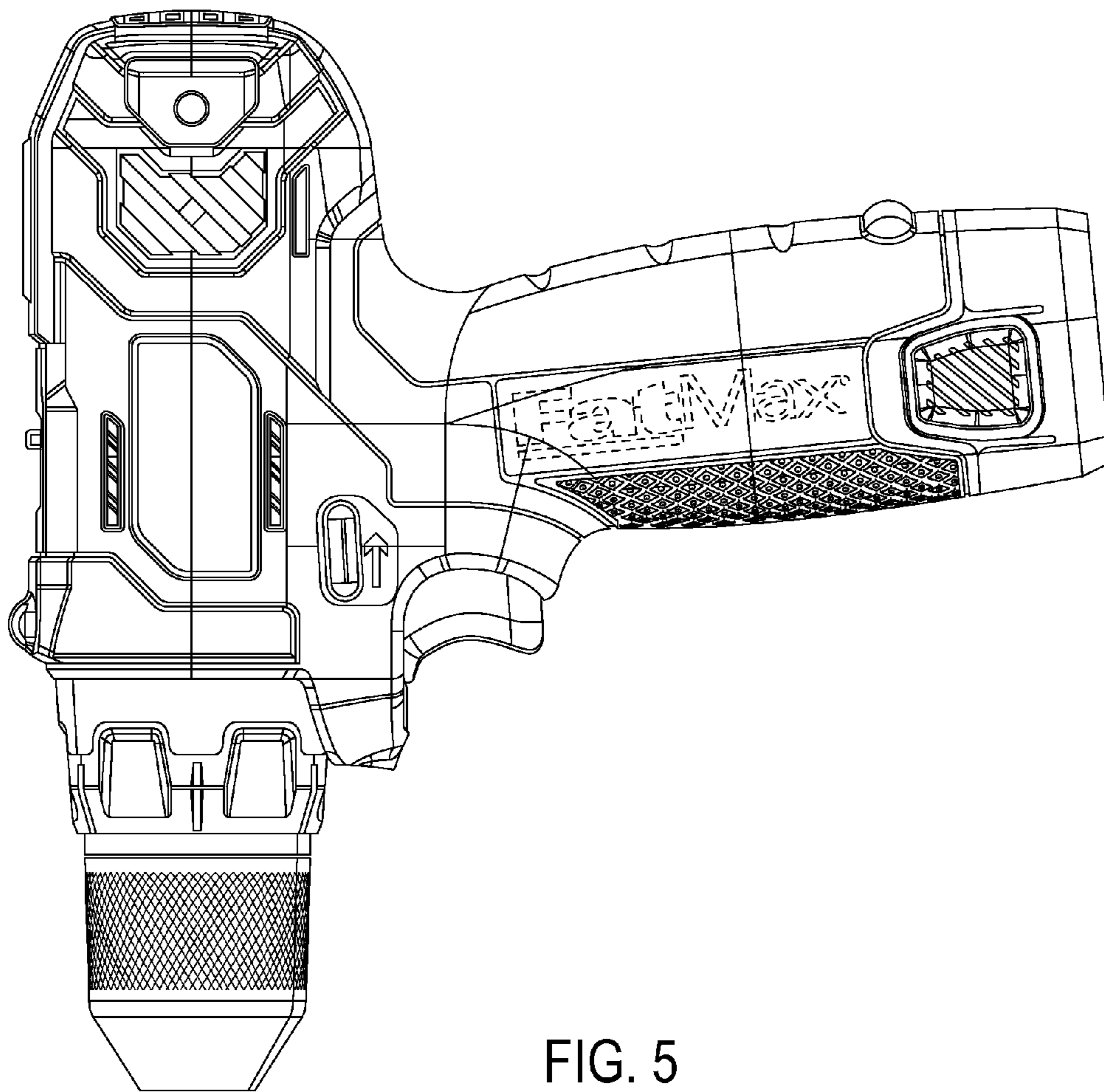


FIG. 5

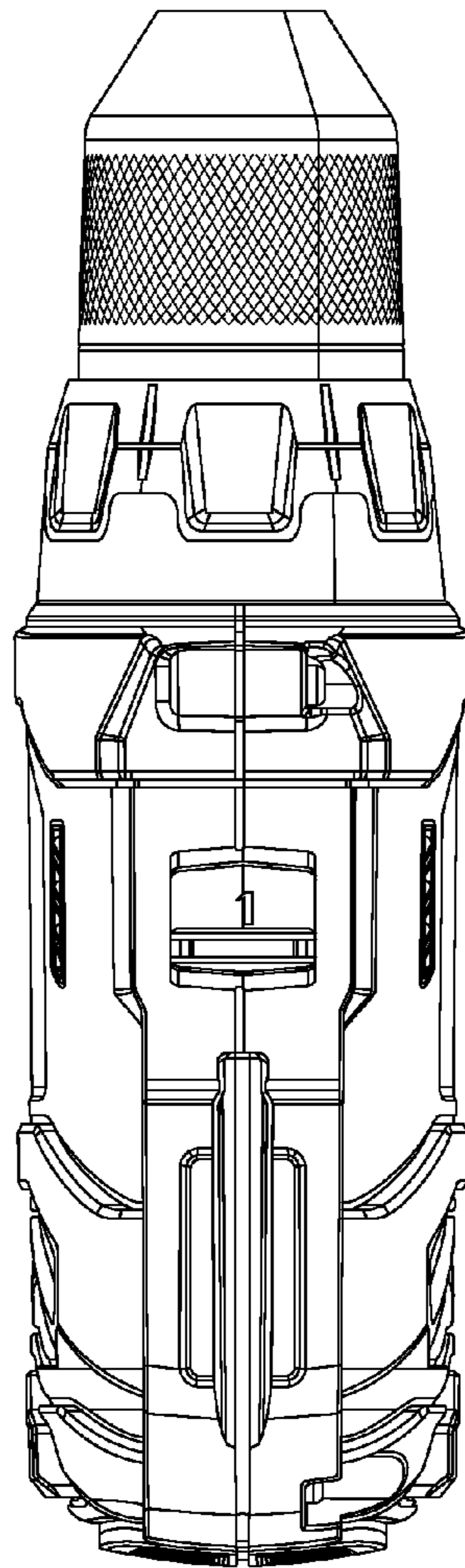


FIG. 6

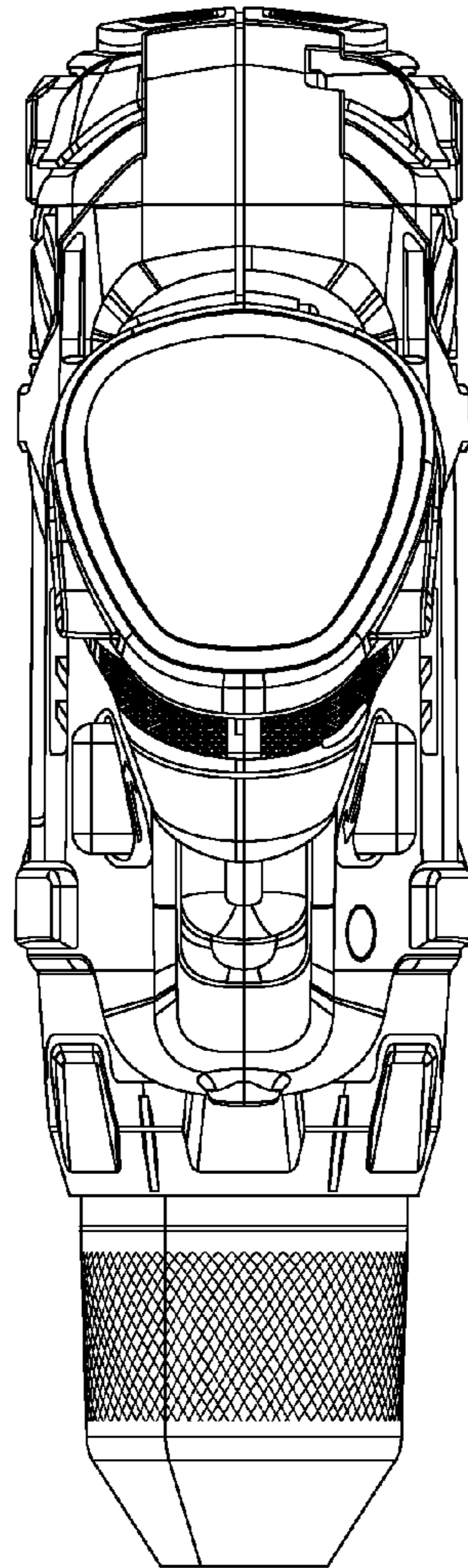


FIG. 7