



US00D673433S

(12) **United States Design Patent**
Barnhart et al.

(10) **Patent No.:** **US D673,433 S**

(45) **Date of Patent:** **** Jan. 1, 2013**

(54) **WHEEL WEIGHT REMOVAL HOOK**

(75) Inventors: **Russell B. Barnhart**, Lexington, NC
(US); **Kim M. Barnhart**, Lexington, NC
(US)

(73) Assignee: **U.W.T., Inc.**, Lexington, NC (US)

(**) Term: **14 Years**

(21) Appl. No.: **29/403,193**

(22) Filed: **Oct. 3, 2011**

(51) **LOC (9) Cl.** **08-05**

(52) **U.S. Cl.** **D8/16**

(58) **Field of Classification Search** D8/16,
D8/367; 7/100, 138, 146; 81/125.1

See application file for complete search history.

(56) **References Cited**

U.S. PATENT DOCUMENTS

1,689,585 A	10/1928	Haschart
2,274,126 A	2/1942	Carrigan
2,314,145 A	3/1943	Kalajian
2,883,153 A	4/1959	Abbott
3,152,391 A	10/1964	Bjorn et al.
3,721,282 A	3/1973	Hayes et al.
3,793,656 A	2/1974	Songer et al.
3,852,839 A	12/1974	Blessing

4,393,908 A	7/1983	Clay
5,044,033 A	9/1991	Fosberg
5,743,285 A	4/1998	Shalkevich
6,536,308 B1	3/2003	Thorne et al.
D653,927 S *	2/2012	Barnhart et al. D8/89
D661,959 S *	6/2012	Barnhart et al. D8/16

FOREIGN PATENT DOCUMENTS

WO WO 02/18104 A1 3/2002

* cited by examiner

Primary Examiner — Susan Bennett Hattan

Assistant Examiner — Barbara B Lohr

(74) *Attorney, Agent, or Firm* — Hammer & Associates, P.C.

(57) **CLAIM**

The ornamental design for a wheel weight removal hook, as shown and described.

DESCRIPTION

FIG. 1 is a front perspective view of a wheel weight removal hook.

FIG. 2 is a top plan view thereof;

FIG. 3 is a first side plan view thereof;

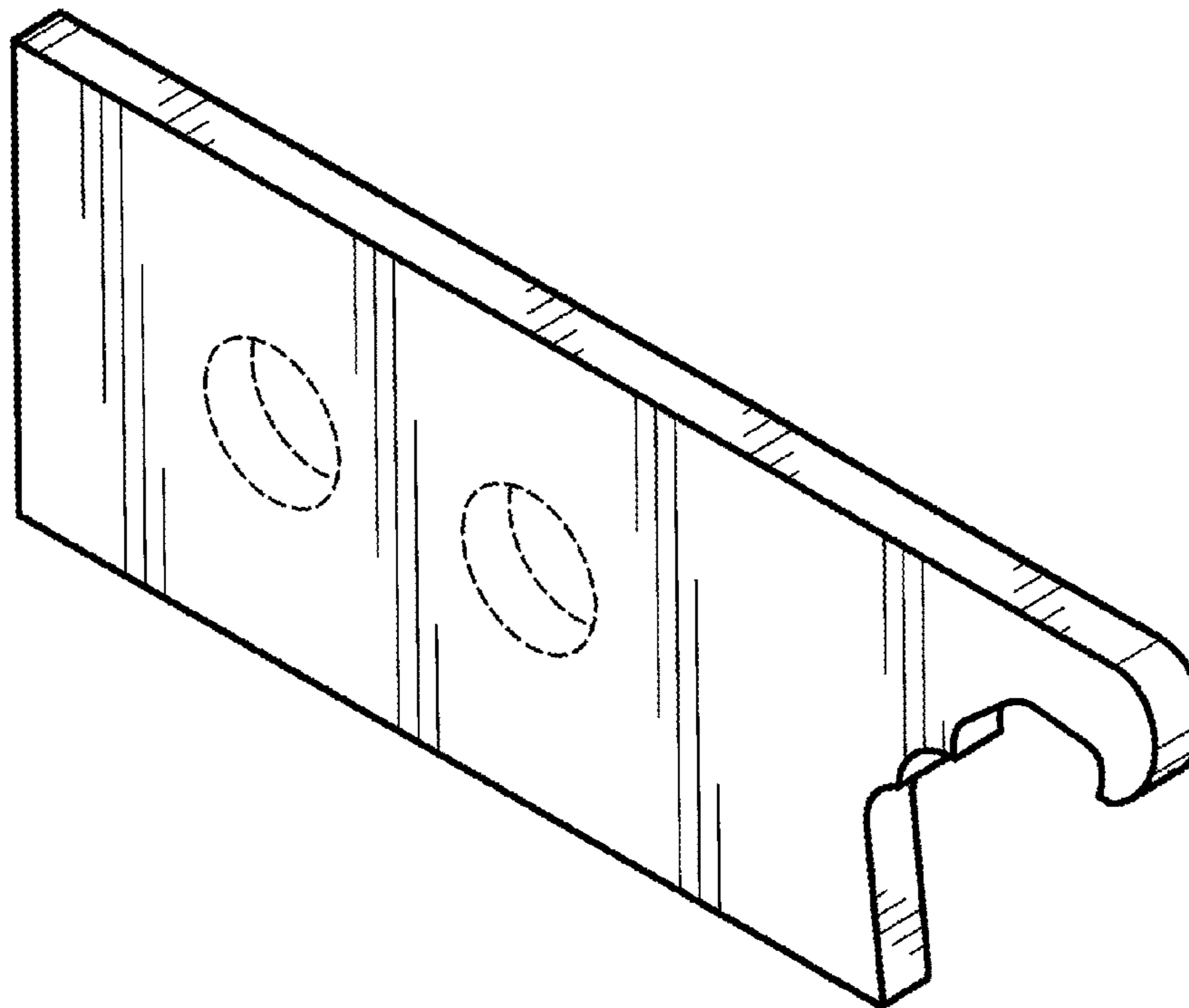
FIG. 4 is a rear side plan view thereof;

FIG. 5 is a second side plan view thereof; and,

FIG. 6 is a bottom plan view thereof.

The broken lines in the drawing depict environmental subject matter only and form no part of the claimed design.

1 Claim, 1 Drawing Sheet



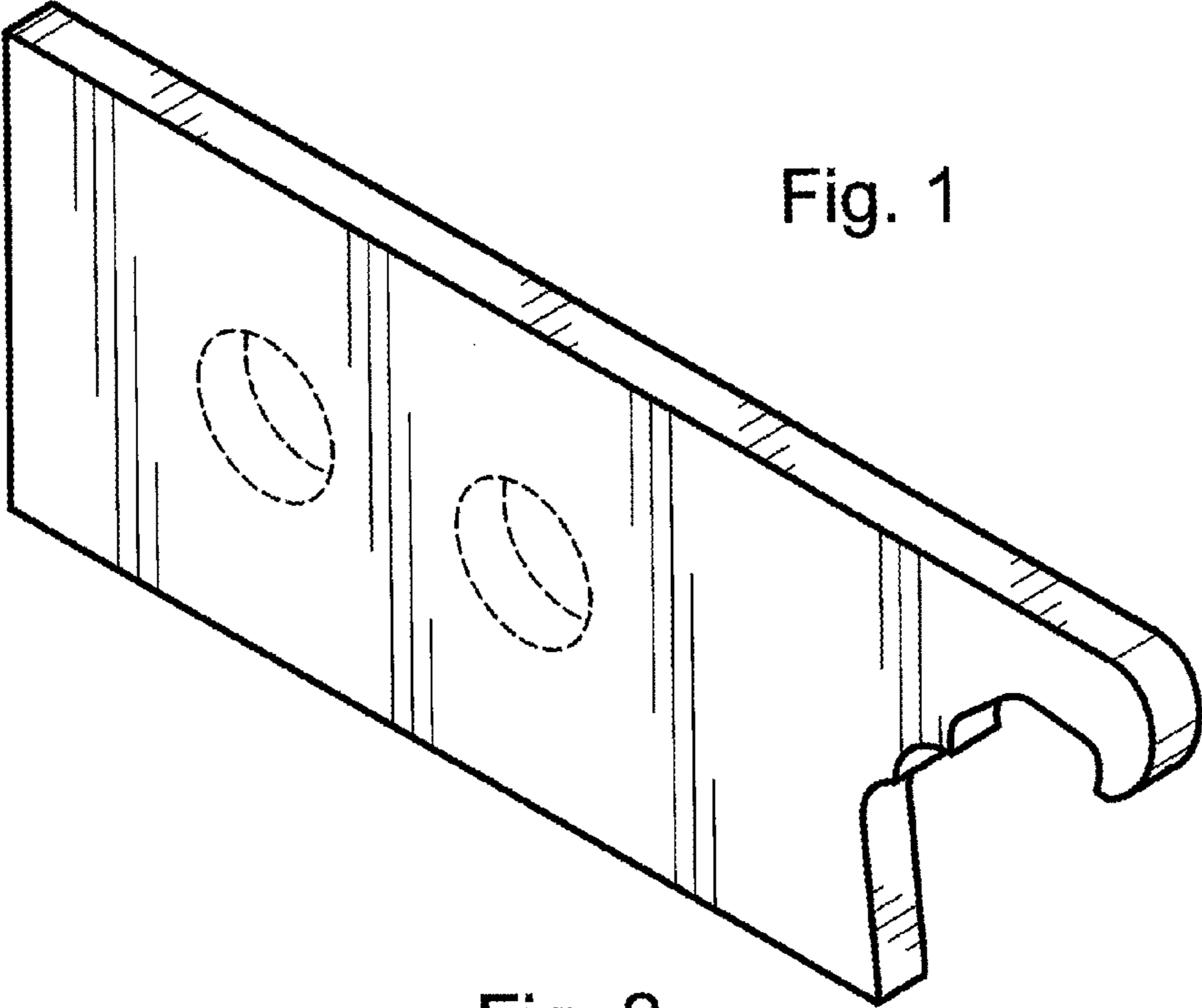


Fig. 1

Fig. 2

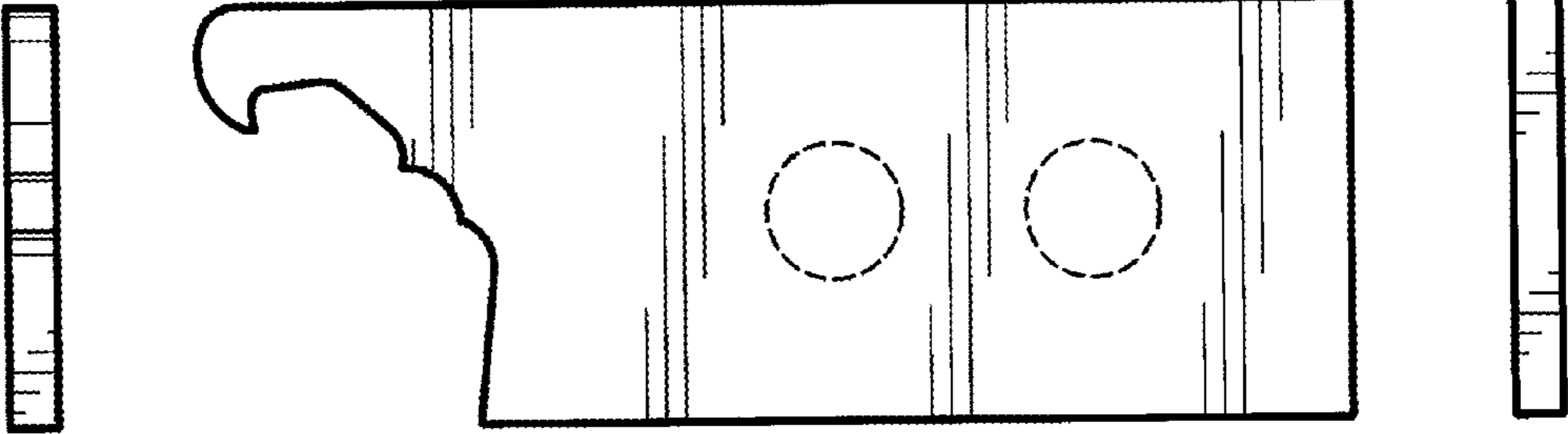


Fig. 3

Fig. 4

Fig. 5



Fig. 6