



US00D673428S

(12) **United States Design Patent**  
**Lessells**

(10) **Patent No.:** **US D673,428 S**  
(45) **Date of Patent:** **\*\* Jan. 1, 2013**

(54) **COMBINED BEVERAGE MUG AND CAN HOLDER**

(76) Inventor: **Doug Lessells**, Hilliard, OH (US)

(\*\*) Term: **14 Years**

(21) Appl. No.: **29/397,809**

(22) Filed: **Jul. 21, 2011**

(51) **LOC (9) Cl.** ..... **07-06**

(52) **U.S. Cl.** ..... **D7/625; D7/606**

(58) **Field of Classification Search** ..... D7/510,  
D7/515, 536, 604, 606, 619.1, 623, 624.2,  
D7/625; D9/668; 220/737, 739  
See application file for complete search history.

(56) **References Cited**

**U.S. PATENT DOCUMENTS**

D337,242	S	*	7/1993	Steinfels, III	.....	D7/623
D351,971	S	*	11/1994	Cappola	.....	D7/625
D354,642	S	*	1/1995	Stoddard et al.	.....	D6/450
D364,997	S	*	12/1995	Steinfels, III	.....	D7/536
D365,727	S	*	1/1996	Adams et al.	.....	D7/536
D371,934	S	*	7/1996	Cwirko	.....	D7/515
D376,959	S	*	12/1996	Norris	.....	D7/619.1
D398,188	S	*	9/1998	Weeks et al.	.....	D7/515
D402,198	S	*	12/1998	Schultz et al.	.....	D9/668
D424,375	S	*	5/2000	D'Arrigo	.....	D7/510
D425,757	S	*	5/2000	Printz et al.	.....	D7/510
D442,833	S	*	5/2001	Shuman	.....	D7/608
D511,212	S	*	11/2005	Whalen	.....	D24/197
D541,111	S	*	4/2007	Morgan et al.	.....	D7/625
7,201,285	B2		4/2007	Beggins		
D562,073	S	*	2/2008	Yeh	.....	D7/515
D580,775	S	*	11/2008	Harris	.....	D9/668

D587,968	S	*	3/2009	Campbell	.....	D7/510
D589,765	S	*	4/2009	Zuloff	.....	D7/515
D599,625	S	*	9/2009	Lessells	.....	D7/625
D608,590	S	*	1/2010	Geter et al.	.....	D7/515
D619,856	S	*	7/2010	Carter	.....	D7/625
D620,764	S	*	8/2010	Lessells	.....	D7/624.2
D621,657	S	*	8/2010	Quinn	.....	D7/507
D623,905	S	*	9/2010	Paslawski	.....	D7/625
D624,368	S	*	9/2010	Paslawski	.....	D7/625
2002/0014491	A1	*	2/2002	Duff et al.	.....	220/592.16

\* cited by examiner

*Primary Examiner* — Philip S Hyder

*Assistant Examiner* — John T Applewhite

(74) *Attorney, Agent, or Firm* — Standley Law Group LLP

(57) **CLAIM**

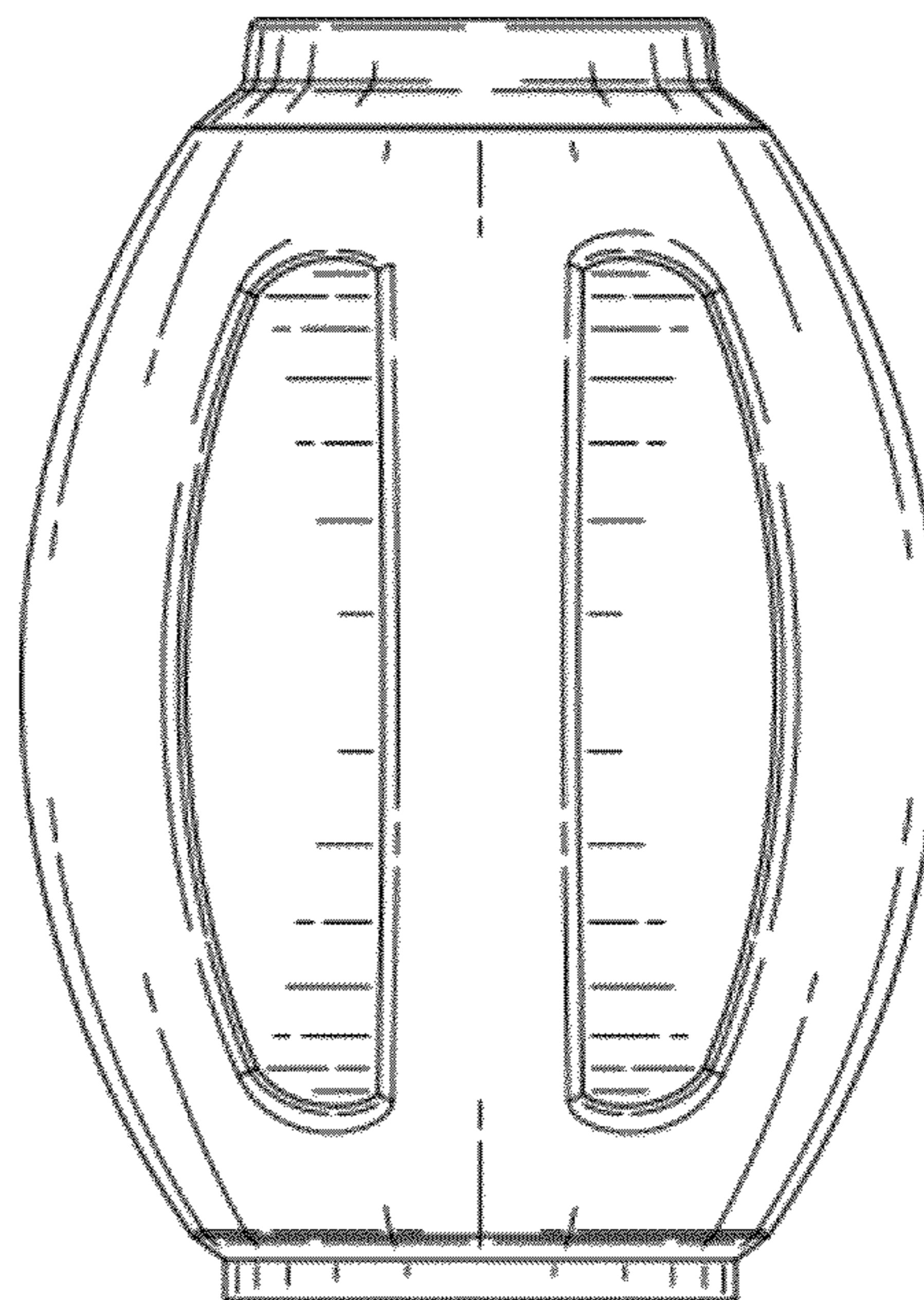
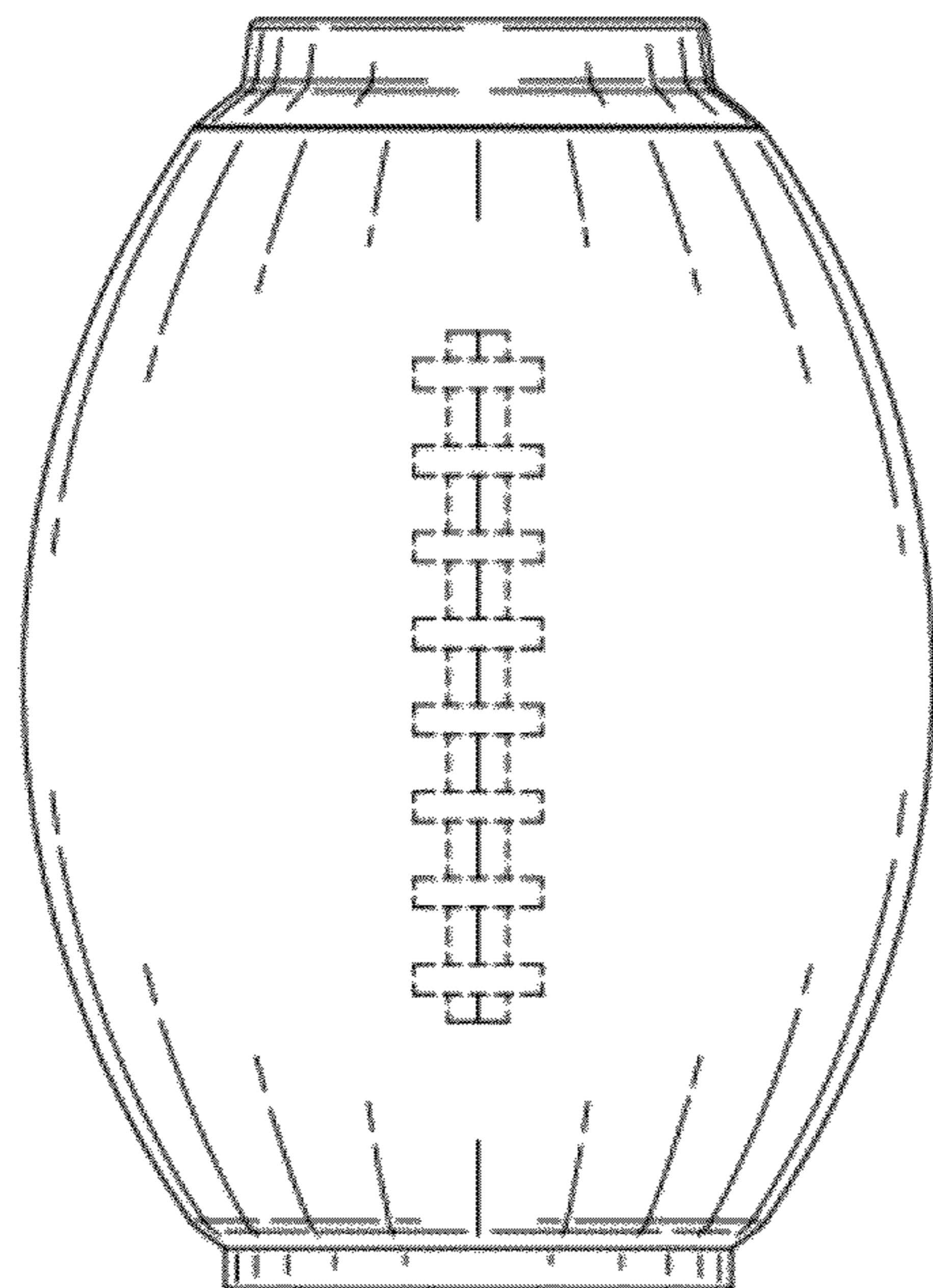
The ornamental design for a combined beverage mug and can holder, as shown and described.

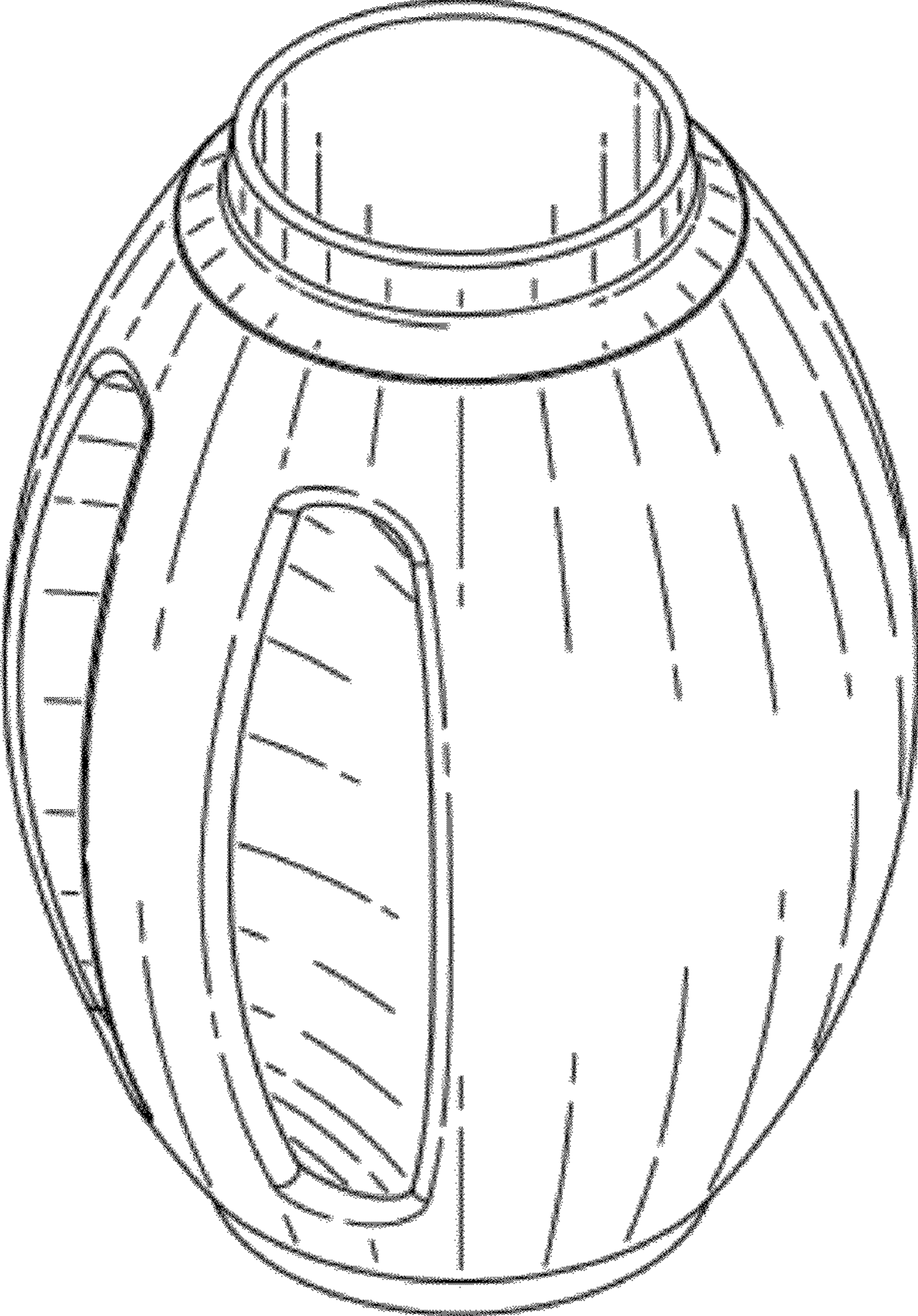
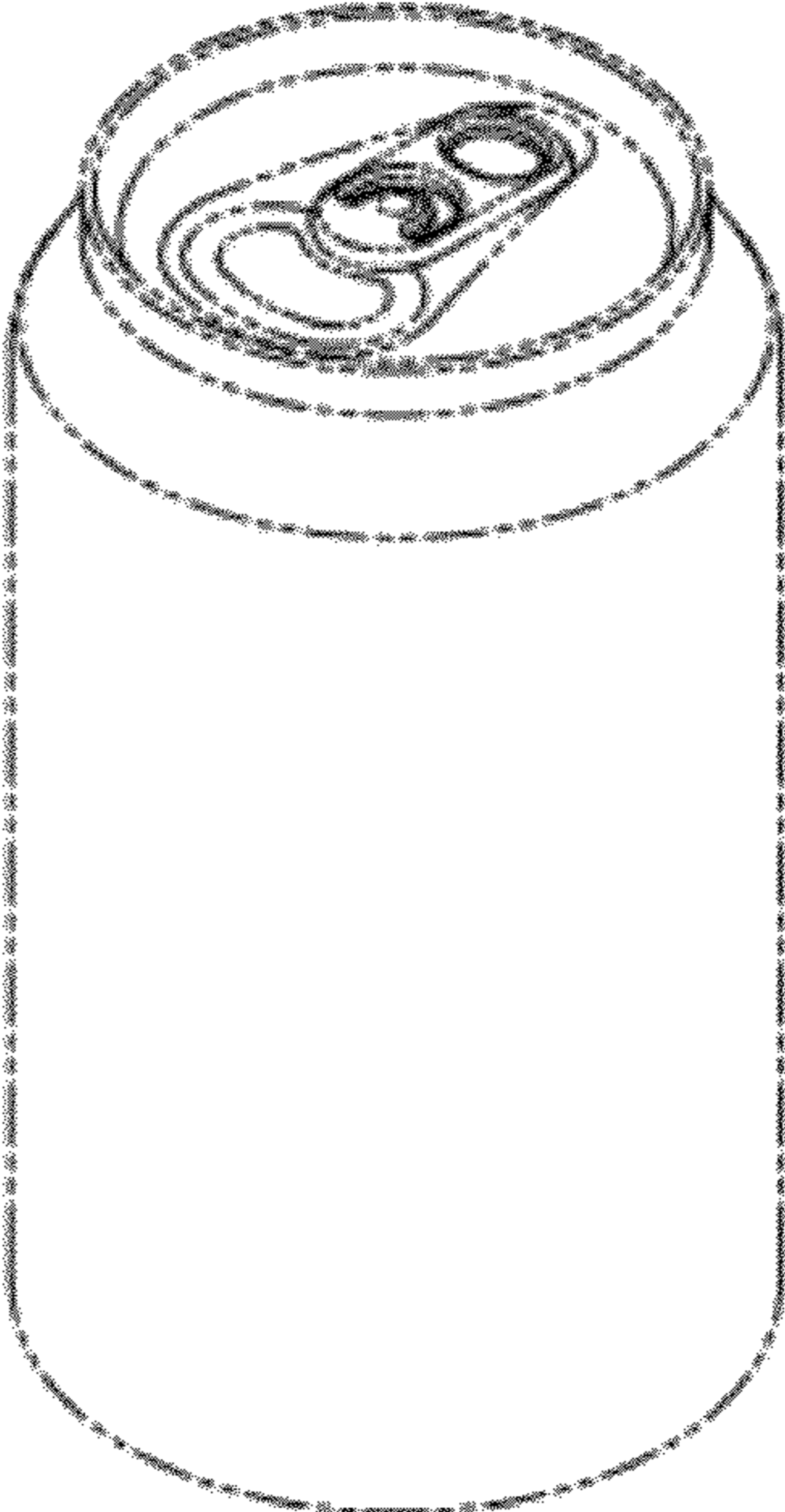
**DESCRIPTION**

FIG. 1 is an assembled front perspective view of the combined beverage mug and can holder;  
FIG. 2 is a left side elevation view;  
FIG. 3 is a top plan view;  
FIG. 4 is a rear elevation view;  
FIG. 5 is a right side elevation view;  
FIG. 6 is a bottom plan view; and,  
FIG. 7 is a front elevation view of the combined beverage mug and can holder.

The broken line showing of the beverage can is included for the purpose of illustrating the environment of the combined beverage mug and can holder and forms no part of the claimed design.

**1 Claim, 3 Drawing Sheets**





**FIG-1**

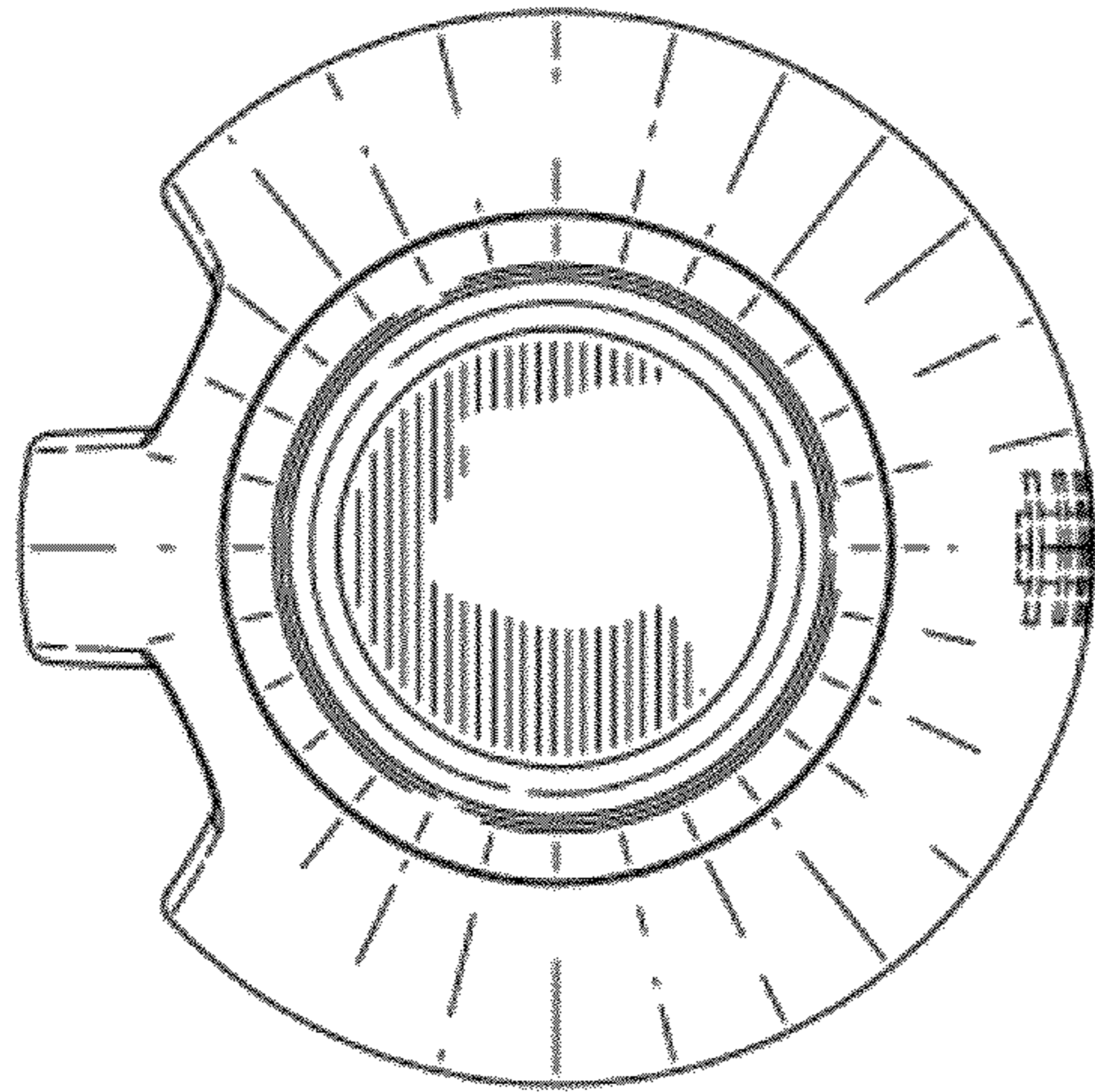


FIG-3

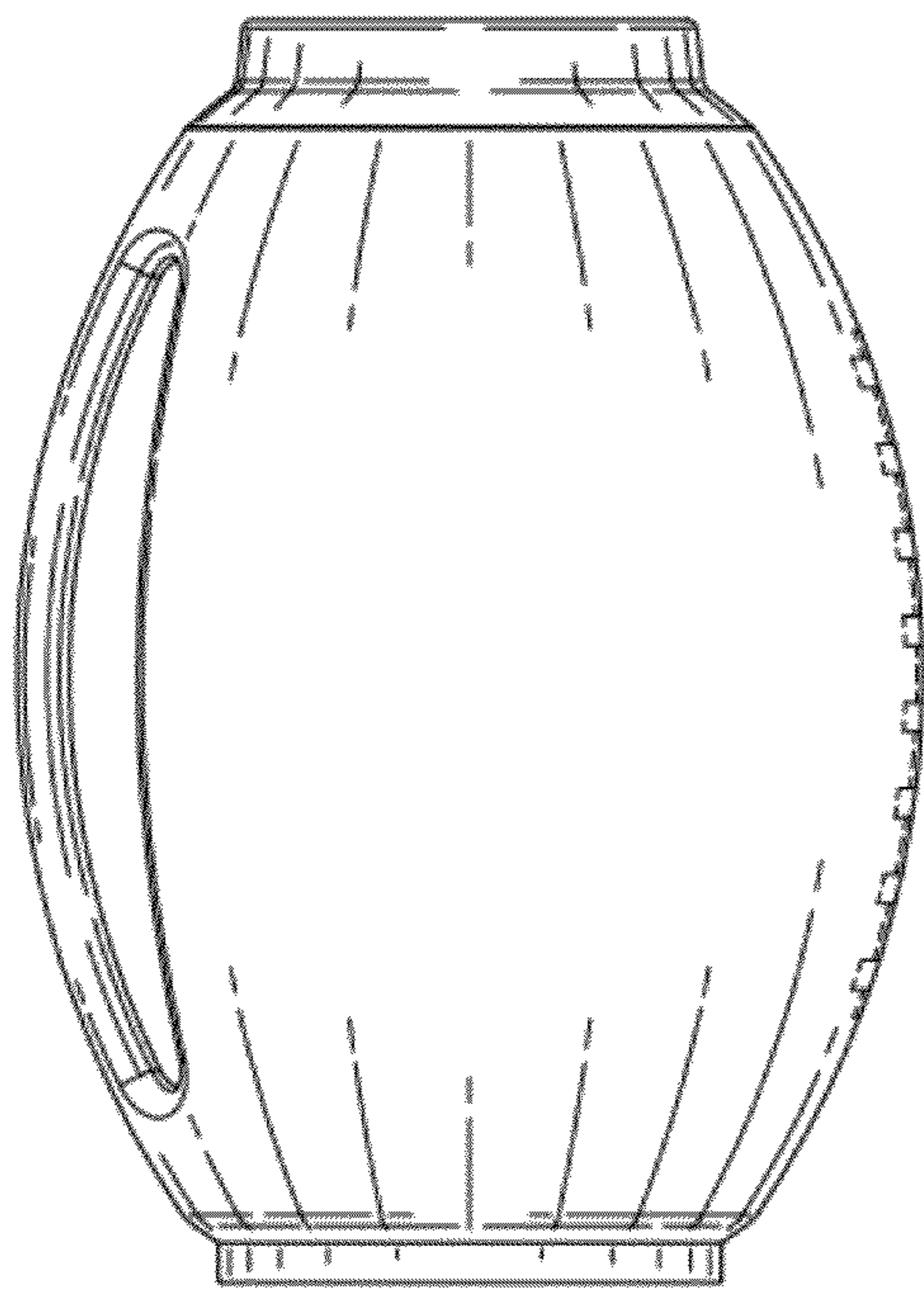


FIG-2

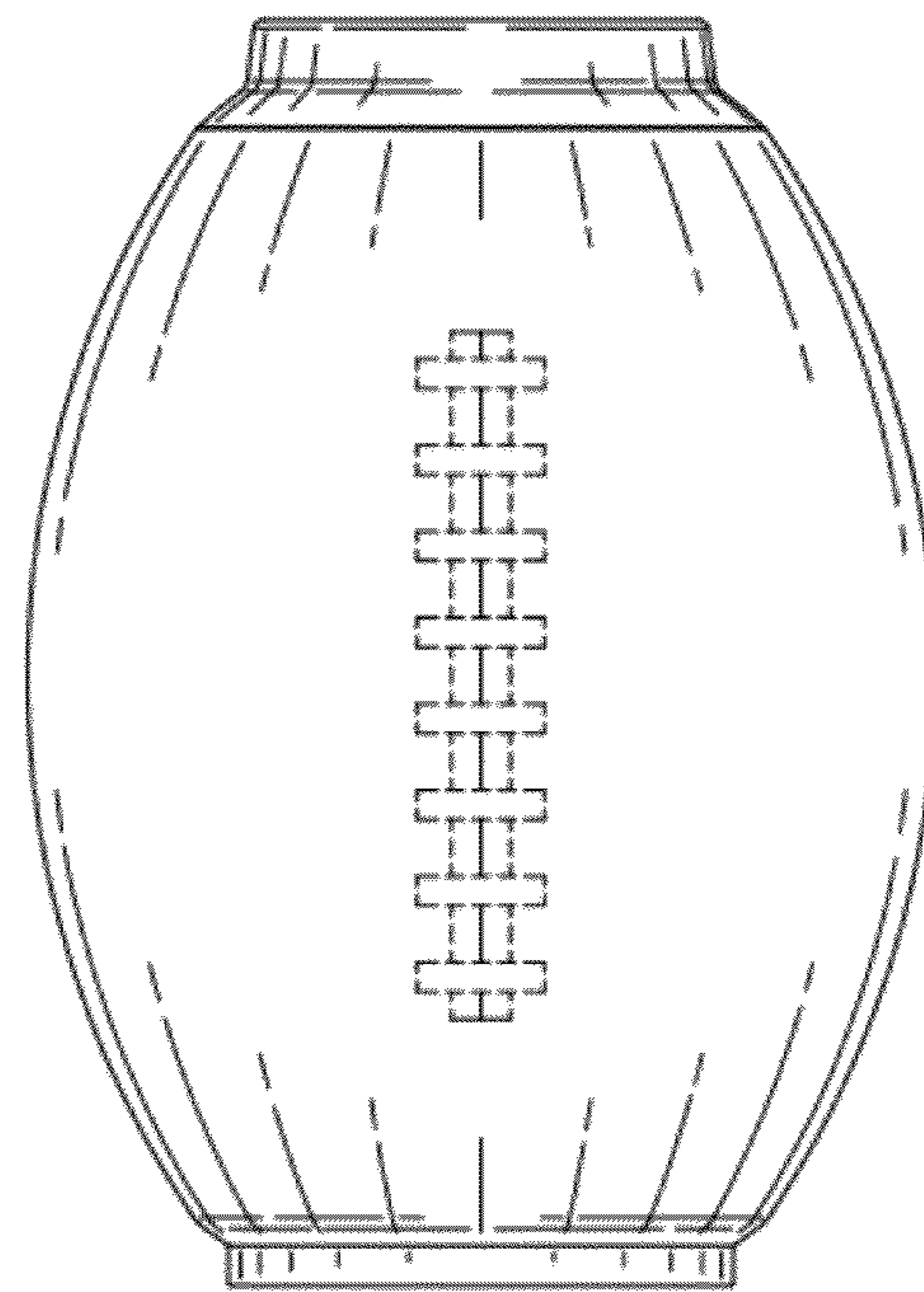


FIG-4

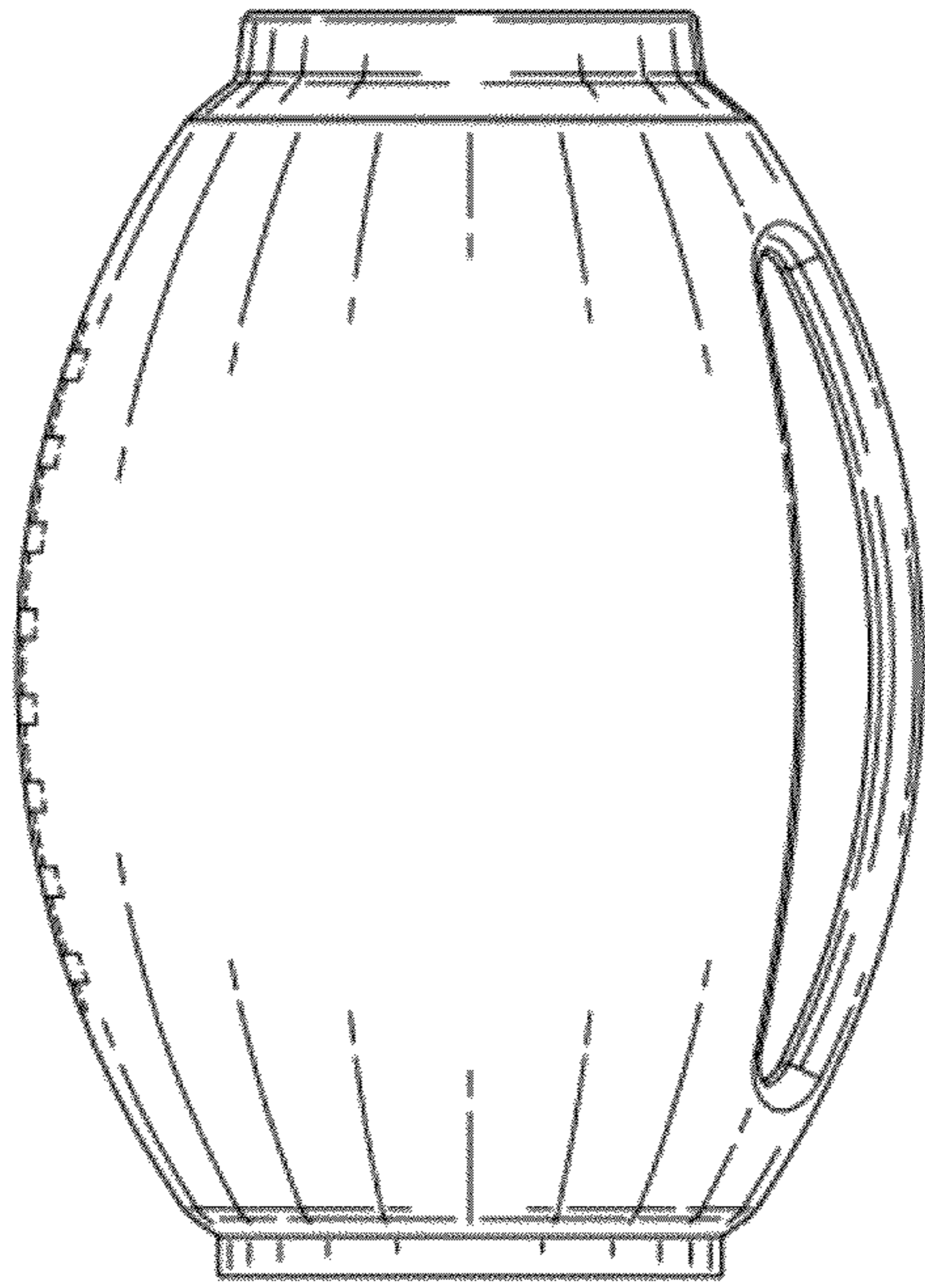


FIG-5

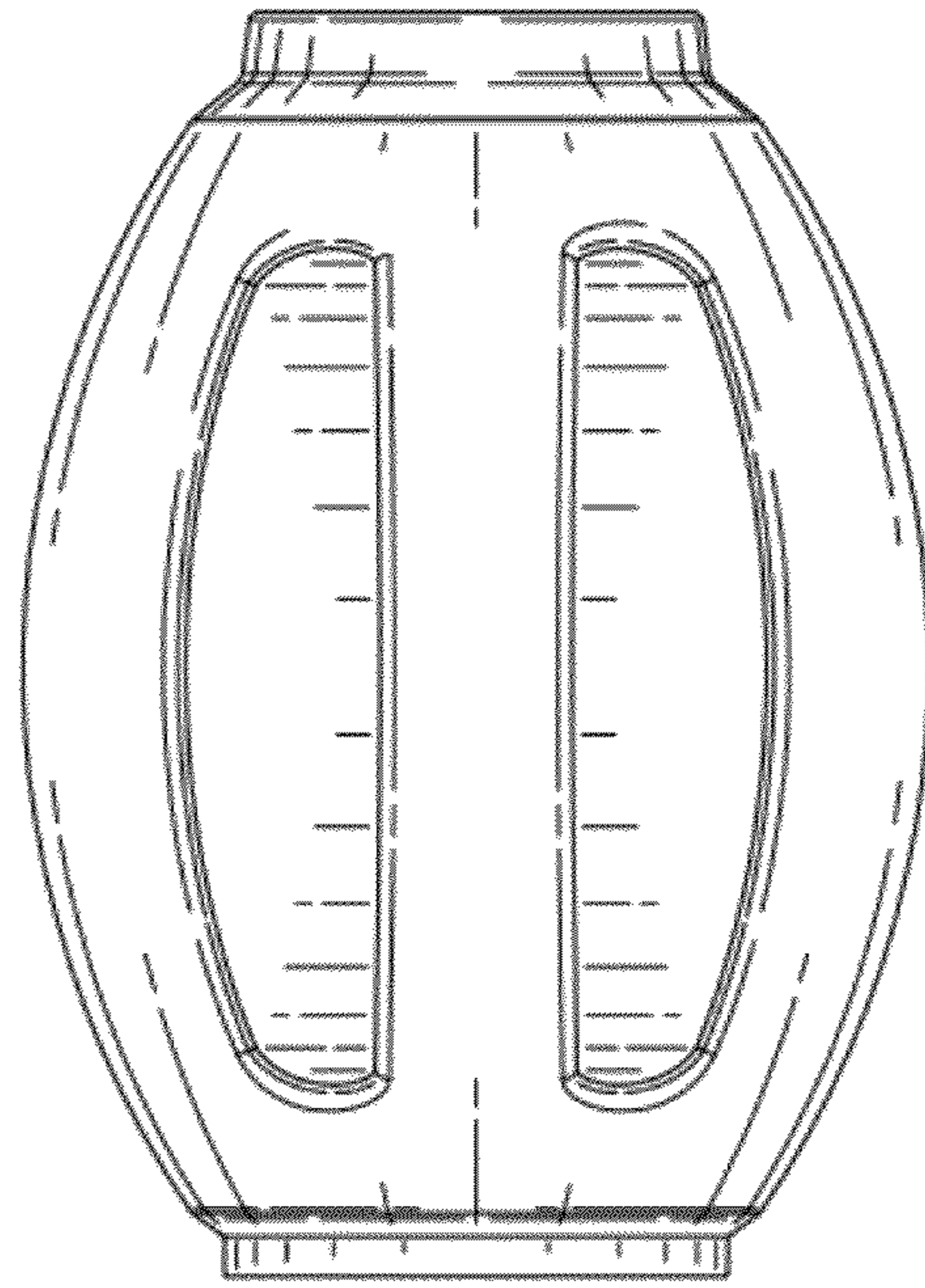


FIG-7

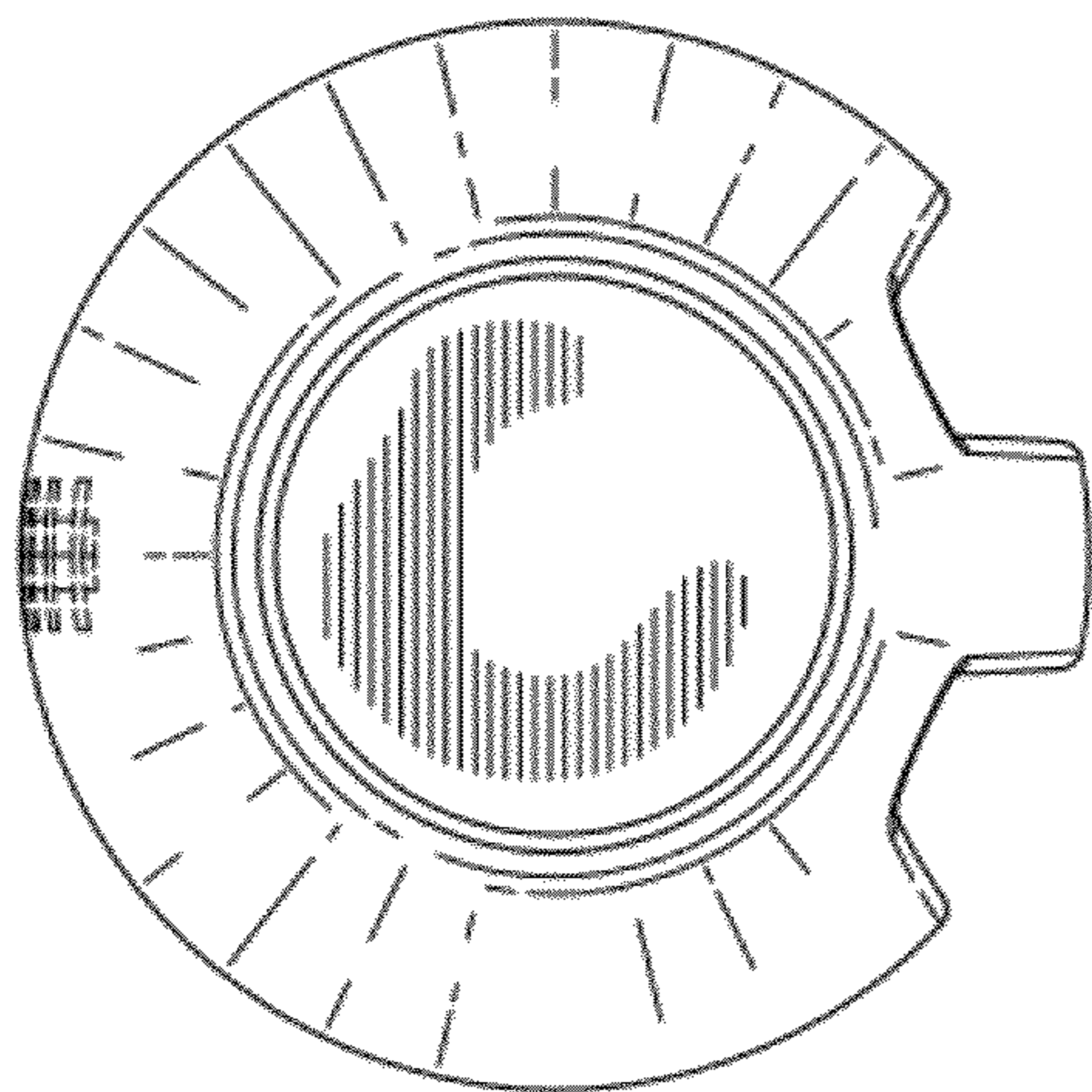


FIG-6