



US00D673427S

(12) **United States Design Patent**  
**Dewolf et al.**

(10) **Patent No.:** **US D673,427 S**  
(45) **Date of Patent:** **\*\* Jan. 1, 2013**

(54) **PORTABLE CADDY**

(76) Inventors: **Mark Dewolf**, Detroit, MI (US);  
**Michael Tomaszewski**, St. Claire  
Shores, MI (US)

(\*\*) Term: **14 Years**

(21) Appl. No.: **29/408,497**

(22) Filed: **Dec. 13, 2011**

**Related U.S. Application Data**

(62) Division of application No. 29/378,209, filed on Nov. 1, 2010, now Pat. No. Des. 651,858, which is a division of application No. 29/302,014, filed on Jan. 8, 2008, now Pat. No. Des. 626,381.

(51) **LOC (9) Cl.** ..... **07-07**

(52) **U.S. Cl.** ..... **D7/600.1**

(58) **Field of Classification Search** ..... D7/601,  
D7/701-707, 590, 592, 600.1-600.4; D6/467,  
D6/470; D20/10, 19, 21, 99; 40/661.02,  
40/427, 453, 493, 541, 124.2; 211/13.1,  
211/49.1, 71.01, 74, 131.1, 78; 340/286.06,  
340/286.09, 311.2, 331, 332

See application file for complete search history.

(56) **References Cited**

**U.S. PATENT DOCUMENTS**

D211,042	S	*	5/1968	Stageberg	.....	D7/590
4,505,059	A	*	3/1985	Morris	.....	40/661
D358,176	S	*	5/1995	Atkinson	.....	D20/21
5,701,694	A	*	12/1997	Atkinson	.....	40/493
D500,637	S	*	1/2005	Shmelzer	.....	D7/590

\* cited by examiner

*Primary Examiner* — Terry Wallace

(74) *Attorney, Agent, or Firm* — Cantor Colburn LLP

(57) **CLAIM**

We claim, the ornamental design for a portable caddy, as shown and described.

**DESCRIPTION**

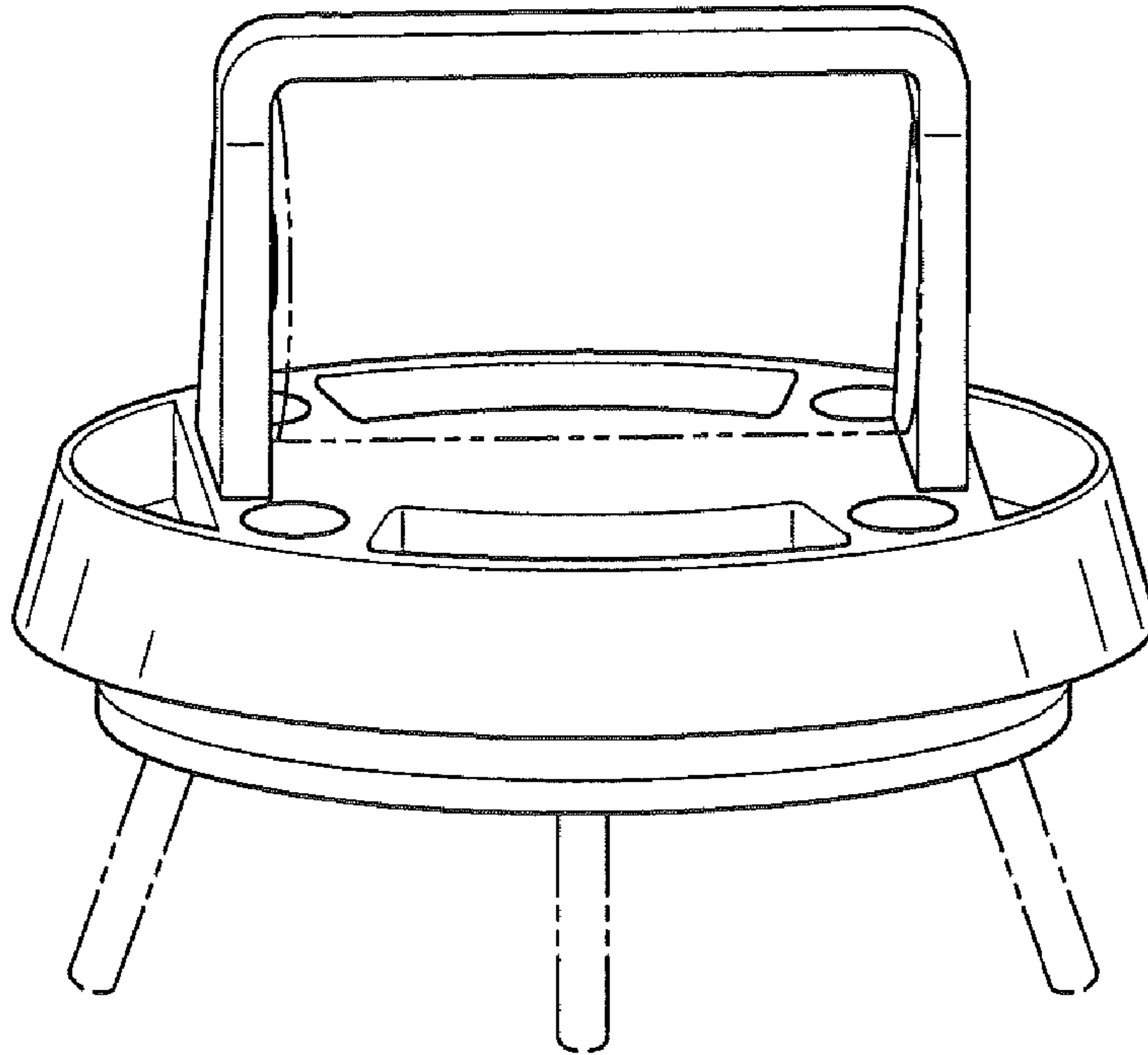
FIG. 1 is a perspective view of a portable caddy showing my new design, the broken lines are for illustrative purposes only and form not part of the claimed design.

FIG. 2 is a side view thereof, the opposite side being a mirror image.

FIG. 3 is a top plan view thereof; and,

FIG. 4 is an end view thereof, the opposite side being a mirror image.

**1 Claim, 1 Drawing Sheet**



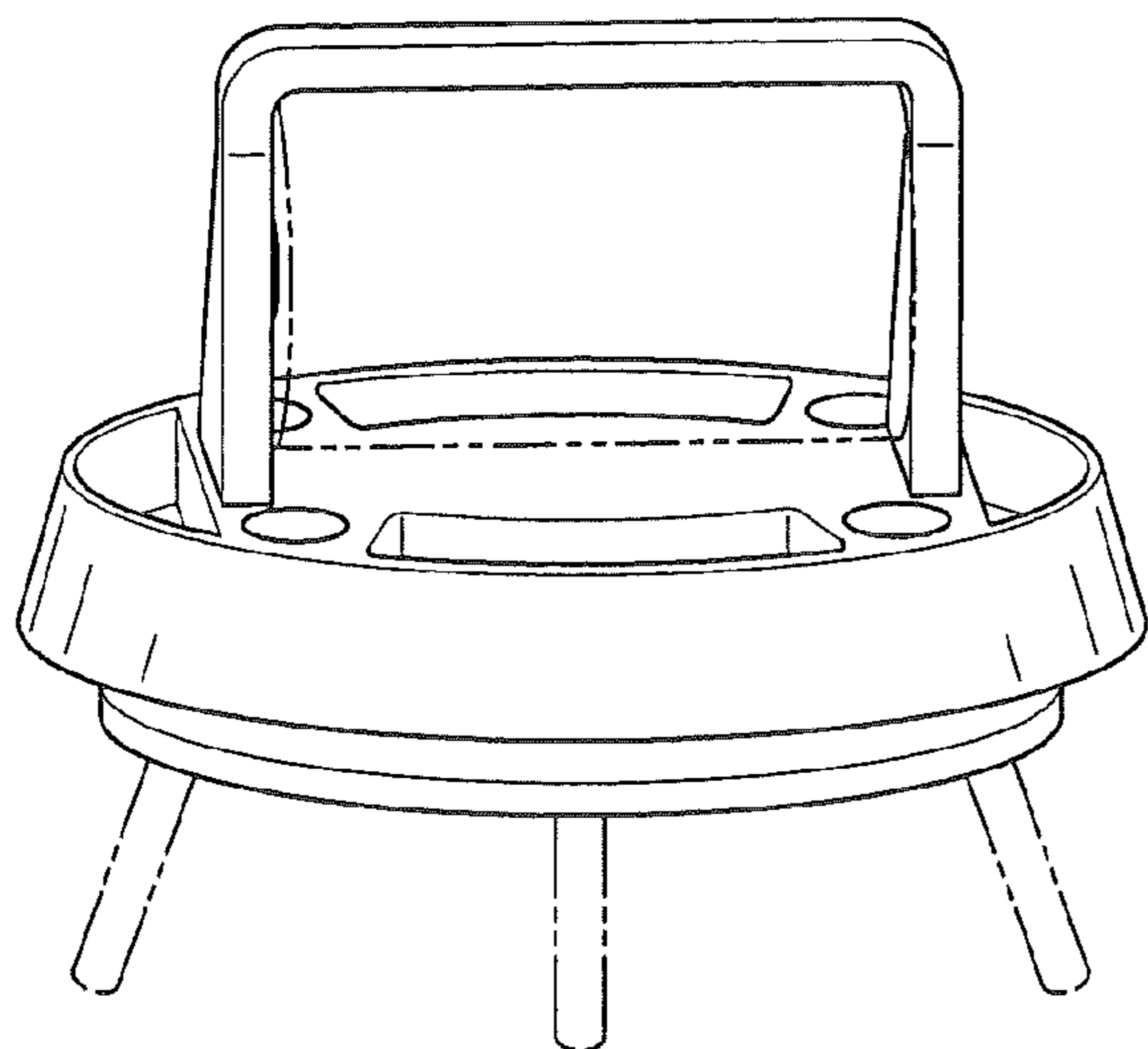


FIG. 1

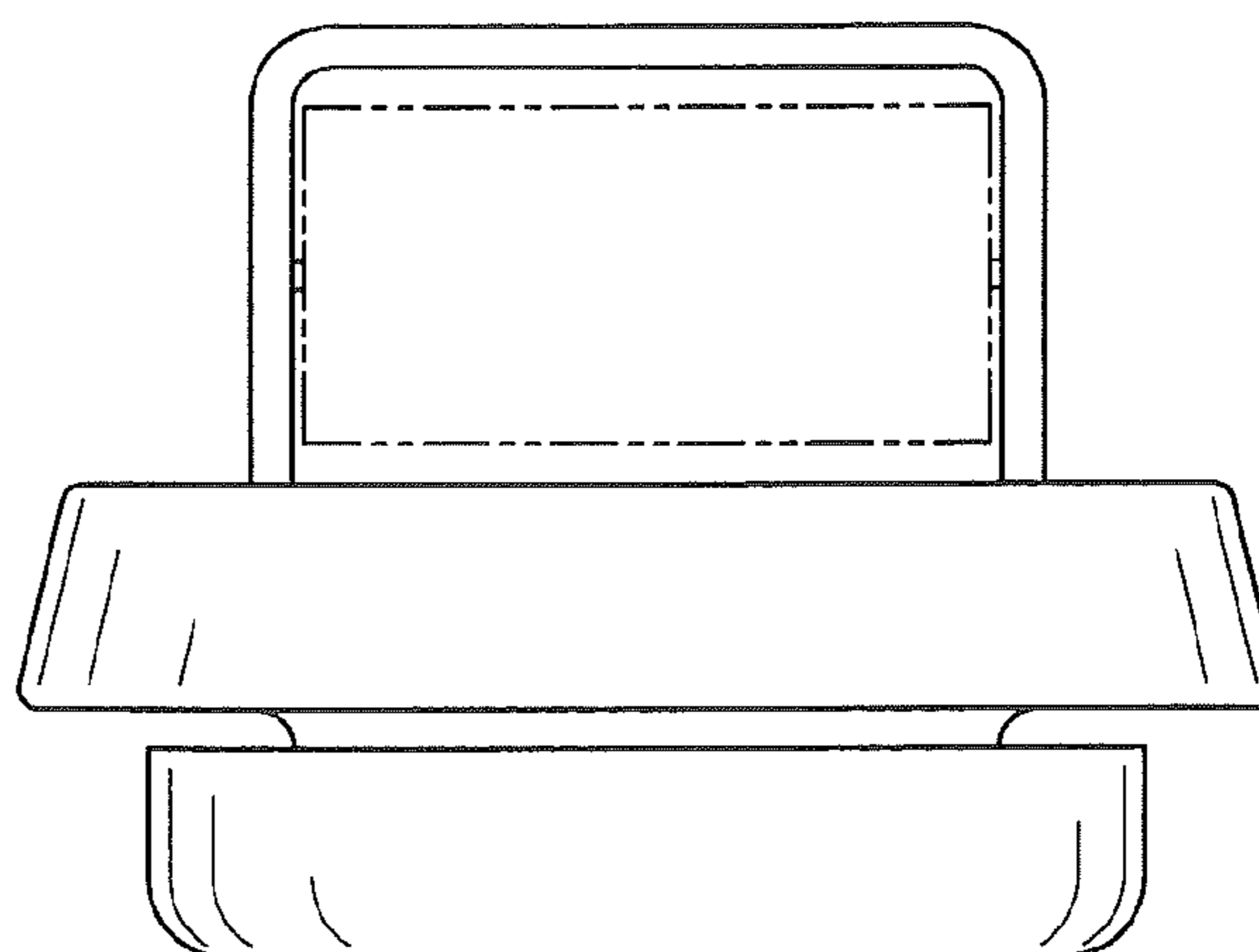


FIG. 2

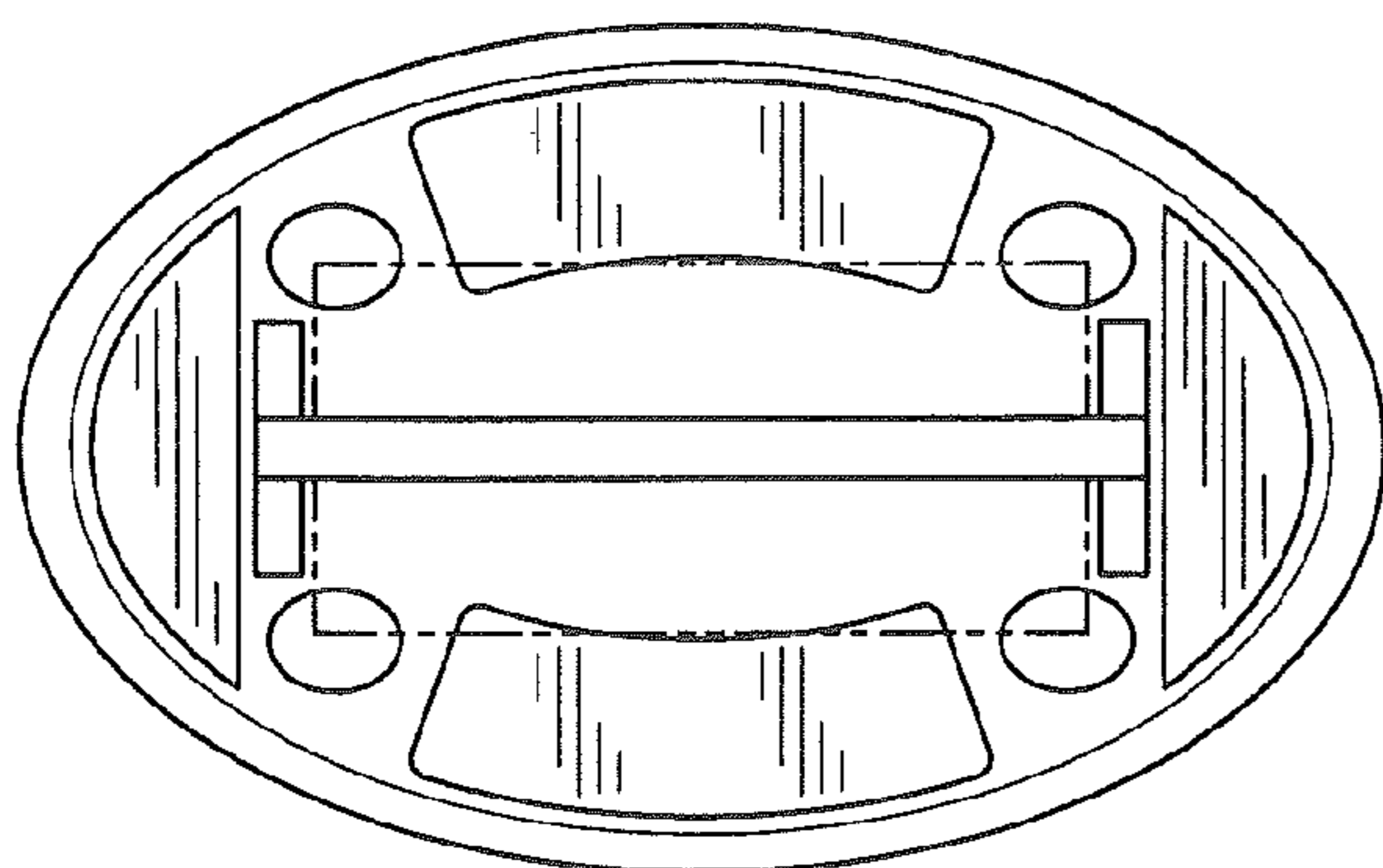


FIG. 3

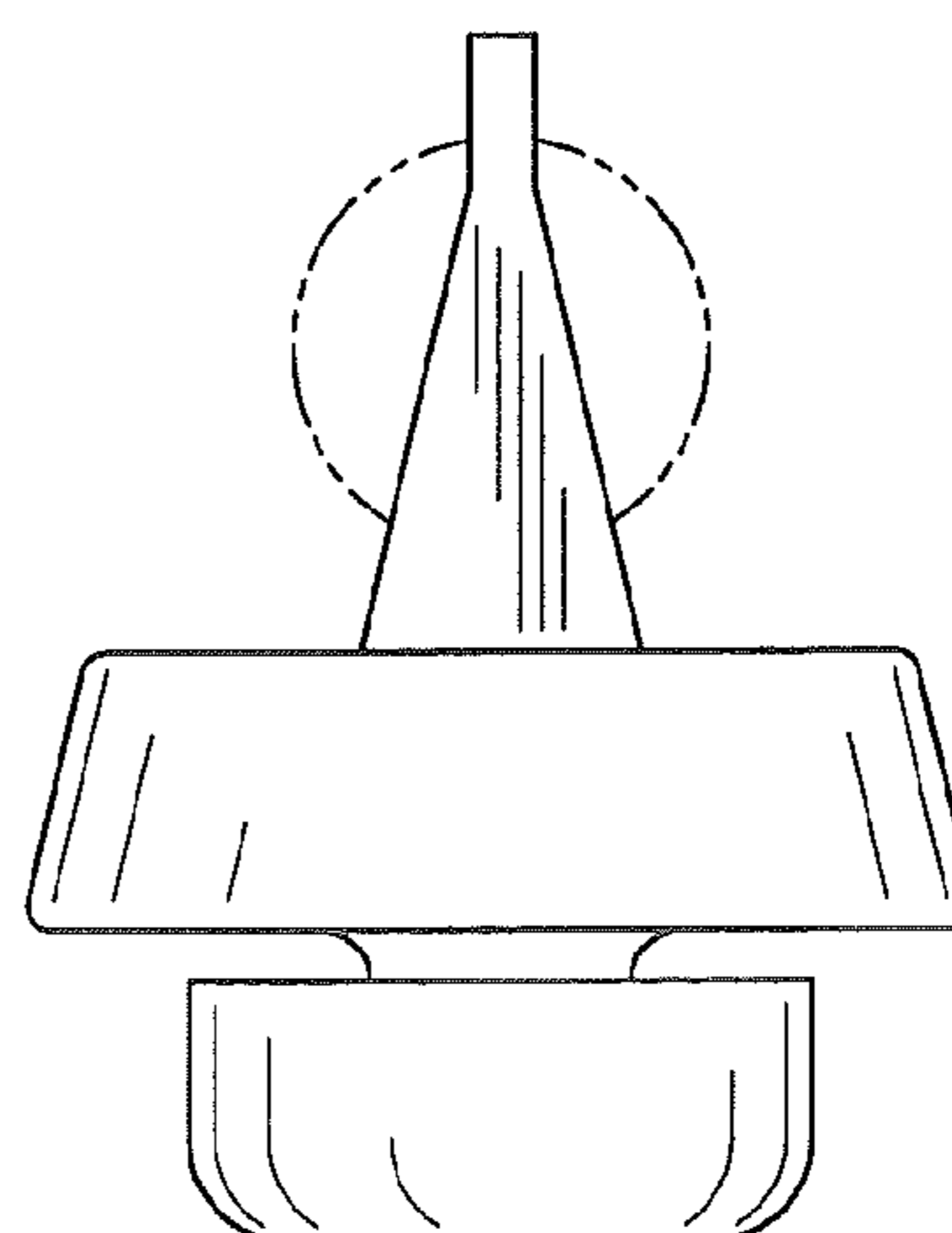


FIG. 4