



US00D673426S

(12) **United States Design Patent**  
**Heiberg et al.**

(10) **Patent No.:** **US D673,426 S**  
(45) **Date of Patent:** **\*\* Jan. 1, 2013**

(54) **MIXING BOWL WITH HANDLE**  
(75) Inventors: **Jakob Heiberg**, Charlottenlund (DK);  
**Jan-Hendrik de Groot**e, Brussels (BE)  
(73) Assignee: **Dart Industries Inc.**, Orlando, FL (US)  
(\*\*) Term: **14 Years**  
(21) Appl. No.: **29/370,669**

(22) Filed: **Aug. 19, 2010**  
(51) **LOC (9) Cl.** ..... **07-01**  
(52) **U.S. Cl.** ..... **D7/545; D7/533; D7/318**  
(58) **Field of Classification Search** ..... D7/545,  
D7/586, 500, 543, 566, 620, 629, 552.1, 354,  
D7/584, 360, 361, 667, 387, 317-319, 376;  
220/751, 23.4, 574; D9/432; D30/127; 210/469;  
366/139

See application file for complete search history.

(56) **References Cited**

U.S. PATENT DOCUMENTS

918,939 A 4/1909 Abercrombie  
2,487,240 A 11/1949 Hildreth  
2,959,441 A 11/1960 Lindstrom  
D229,917 S 1/1974 Swett  
4,015,945 A \* 4/1977 Frankel et al. .... 422/224  
D283,002 S \* 3/1986 Daenen ..... D7/319  
D283,193 S \* 4/1986 Daenen ..... D7/317  
D284,344 S \* 6/1986 Gecchelin ..... D7/318  
D287,324 S 12/1986 Schmidt  
D287,325 S 12/1986 Schmidt  
D360,556 S 7/1995 DeCoster  
D383,646 S \* 9/1997 Jeppesen et al. .... D7/584  
D395,783 S 7/1998 Cautereels  
D454,469 S 3/2002 Jalet et al.  
6,393,973 B1 5/2002 Velo et al.  
D461,676 S 8/2002 Daenen et al.  
D477,186 S \* 7/2003 de Groot e et al. .... D7/543  
D484,363 S \* 12/2003 de Groot e et al. .... D7/543  
D522,313 S \* 6/2006 Oyler et al. .... D7/543  
D524,603 S \* 7/2006 Kishbaugh et al. .... D7/543  
D538,599 S \* 3/2007 Miller ..... D7/586

D542,077 S 5/2007 Claypool et al.  
D545,629 S \* 7/2007 Mellen et al. .... D7/543  
D565,356 S \* 4/2008 Mellen et al. .... D7/586  
D565,357 S \* 4/2008 Chan ..... D7/586  
D613,121 S \* 4/2010 Luft ..... D7/533  
D613,134 S \* 4/2010 McRorie et al. .... D7/691  
D639,115 S \* 6/2011 Stewart et al. .... D7/543  
2004/0187265 A1 9/2004 Ho  
2010/0084370 A1 4/2010 Ranzoni  
2010/0089151 A1 4/2010 Mantilla et al.  
2012/0002501 A1 \* 1/2012 Ulstad et al. .... 366/205

FOREIGN PATENT DOCUMENTS

AU 323997 S 1/2009

OTHER PUBLICATIONS

Summer 2008 Tupperware® catalog (3 pages), pp. 8 and 9; Item No. G, "Ice Prisms Pitcher" and digital photographs (1 sheet) of the cover labeled "Bottom Perspective" and "Top Perspective" of the cover shown in Item G on p. 9 of the Tupperware® catalog.

\* cited by examiner

*Primary Examiner* — Cynthia Underwood

(74) *Attorney, Agent, or Firm* — John A. Doninger

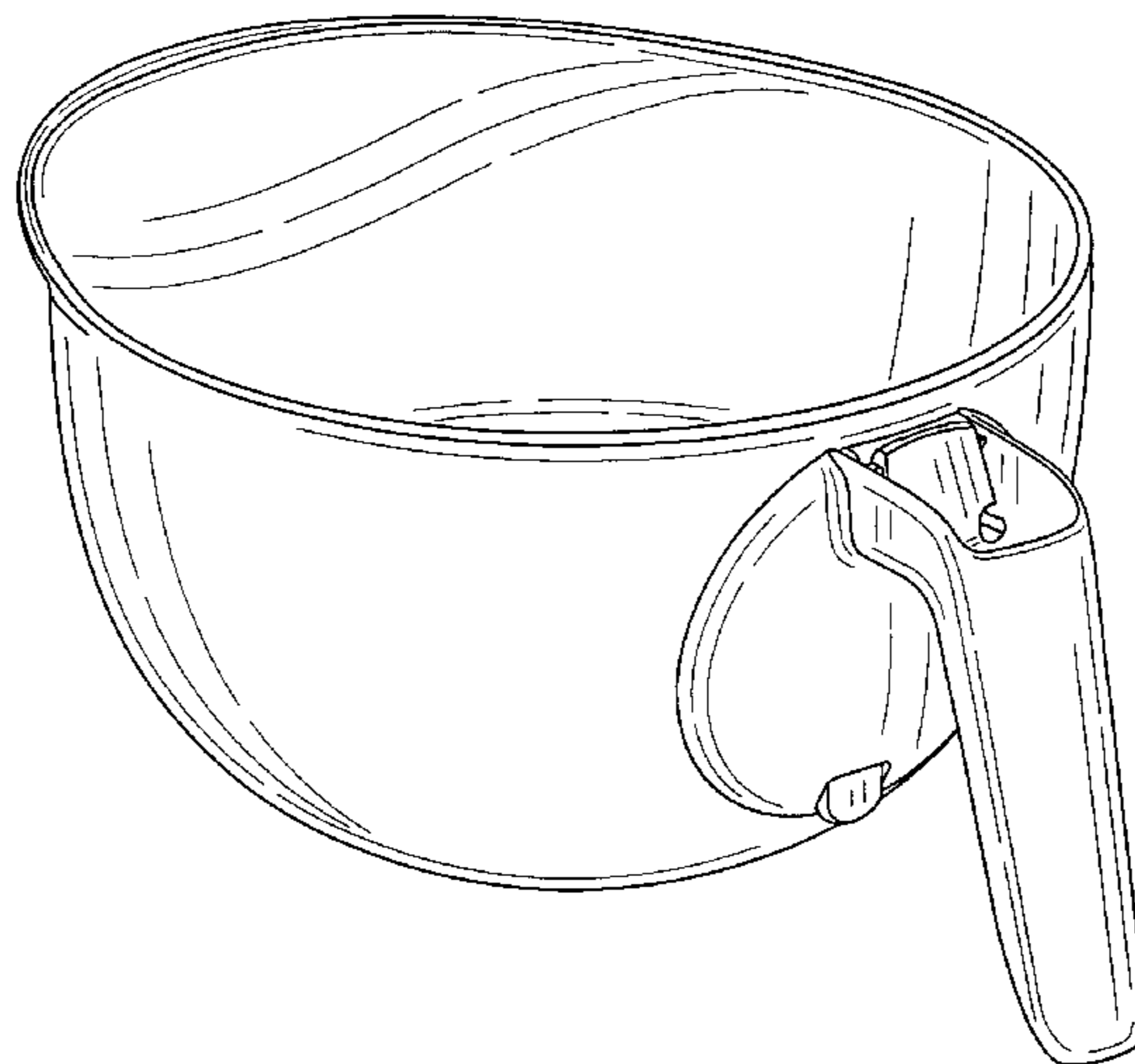
(57) **CLAIM**

The ornamental design for a mixing bowl with handle, as shown and described.

**DESCRIPTION**

FIG. 1 is a top, side and front perspective view of a mixing bowl with handle showing our new design;  
FIG. 2 is a bottom, side and rear perspective view thereof;  
FIG. 3 is a front elevation view, the rear elevation being a mirror image thereof;  
FIG. 4 is a right side elevation view thereof;  
FIG. 5 is a left side elevation view thereof;  
FIG. 6 is a top plan view thereof;  
FIG. 7 is a bottom plan view thereof; and,  
FIG. 8 is an exploded perspective view of the mixing bowl shown in FIG. 1.

**1 Claim, 5 Drawing Sheets**



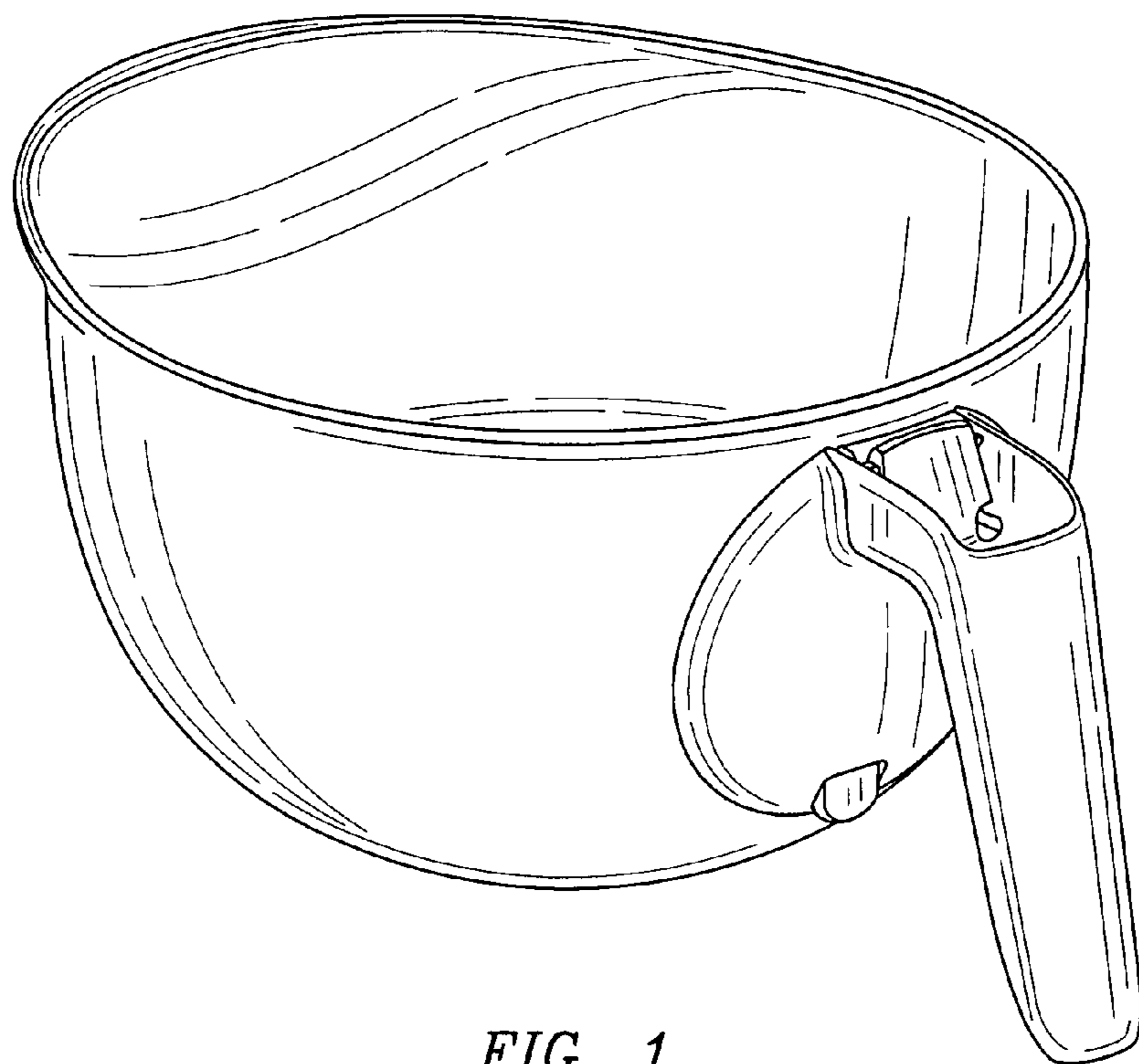


FIG. 1

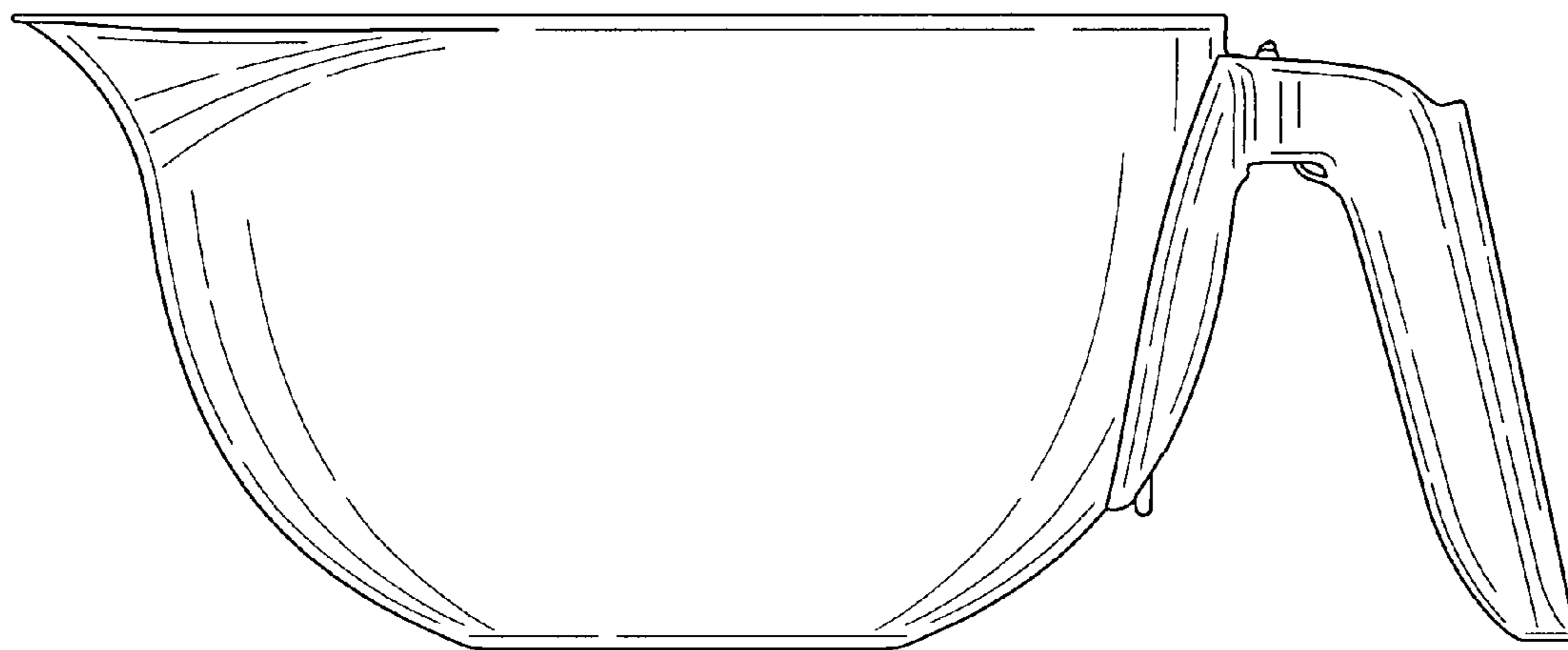


FIG. 3

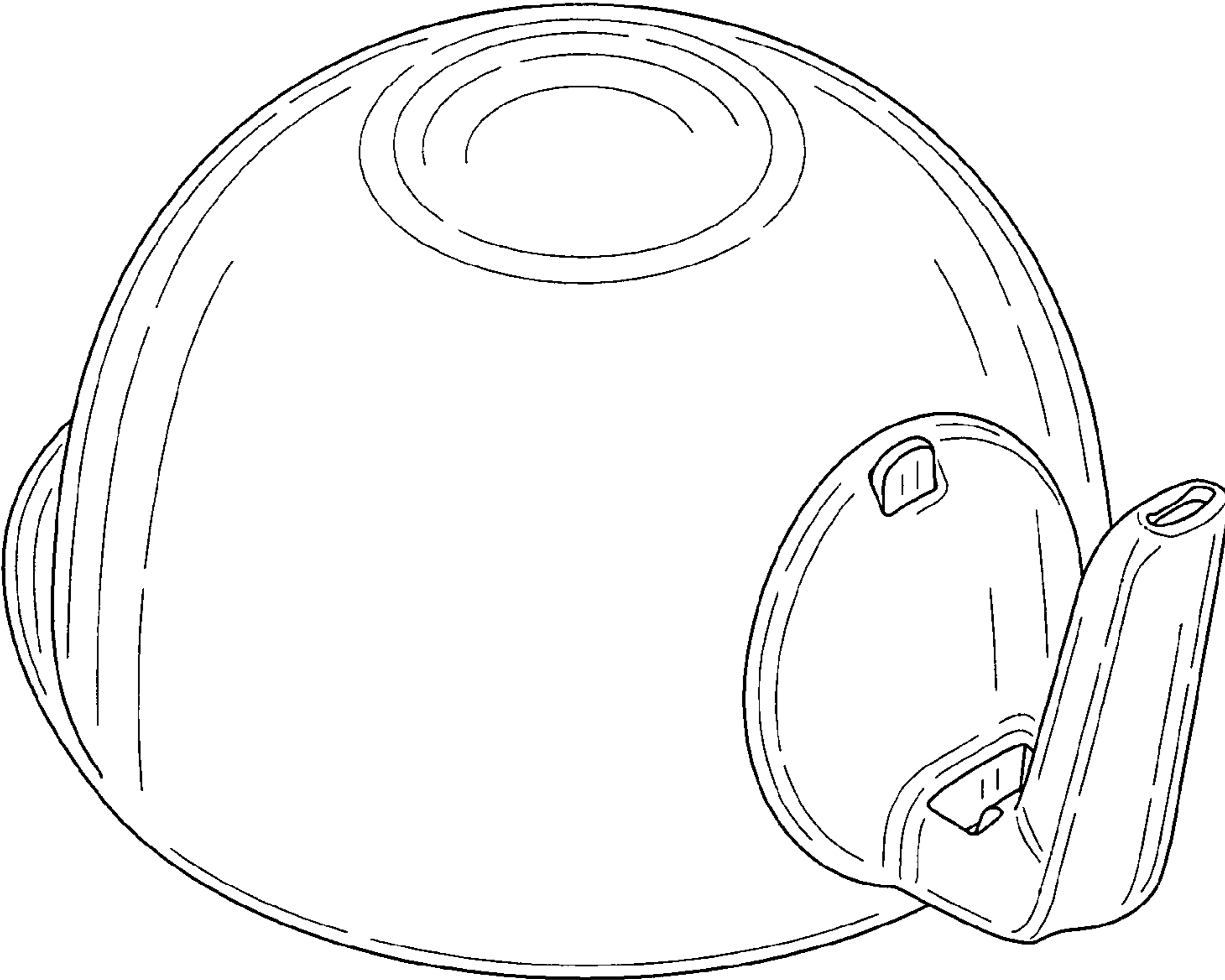


FIG. 2

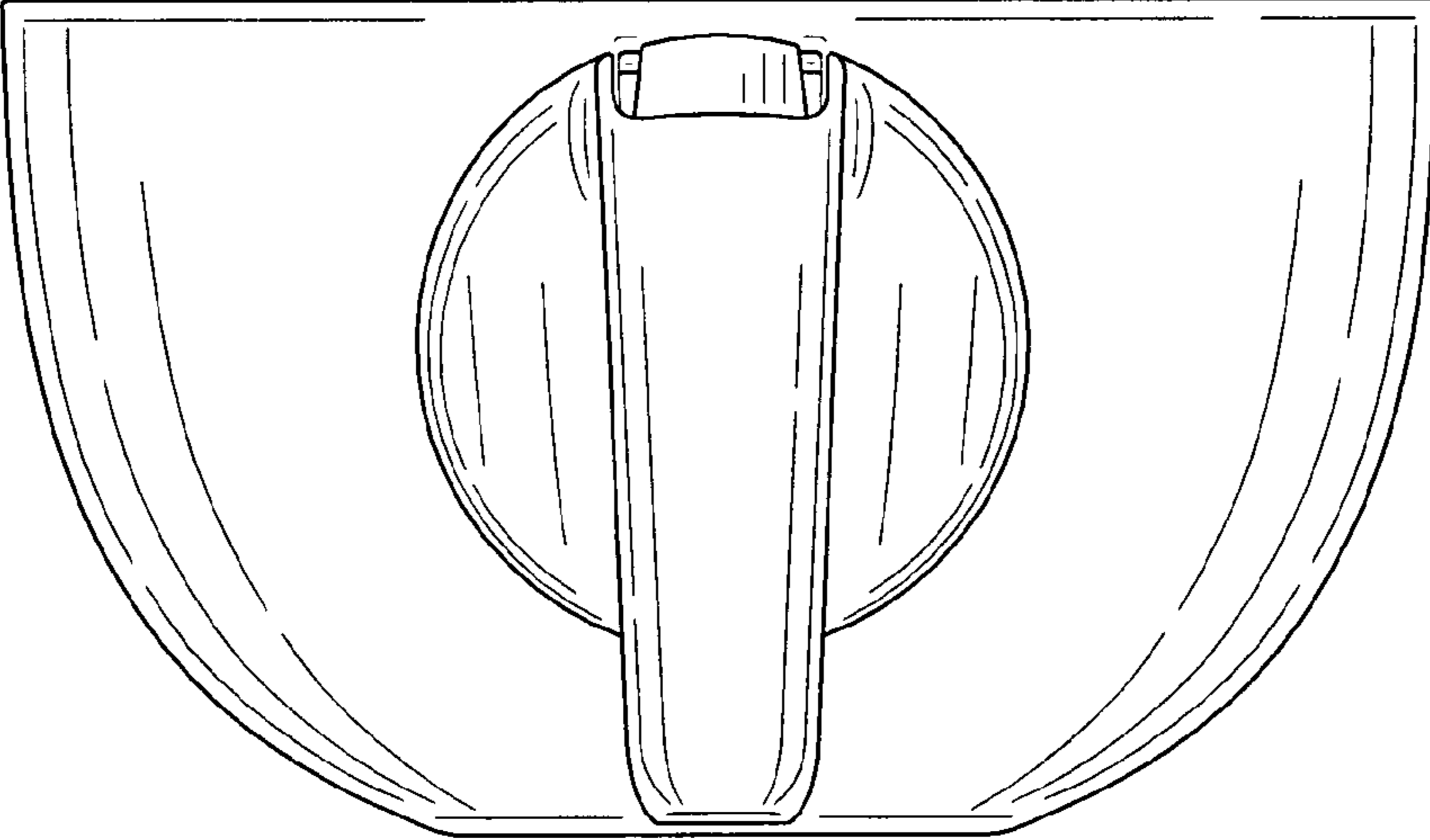


FIG. 4

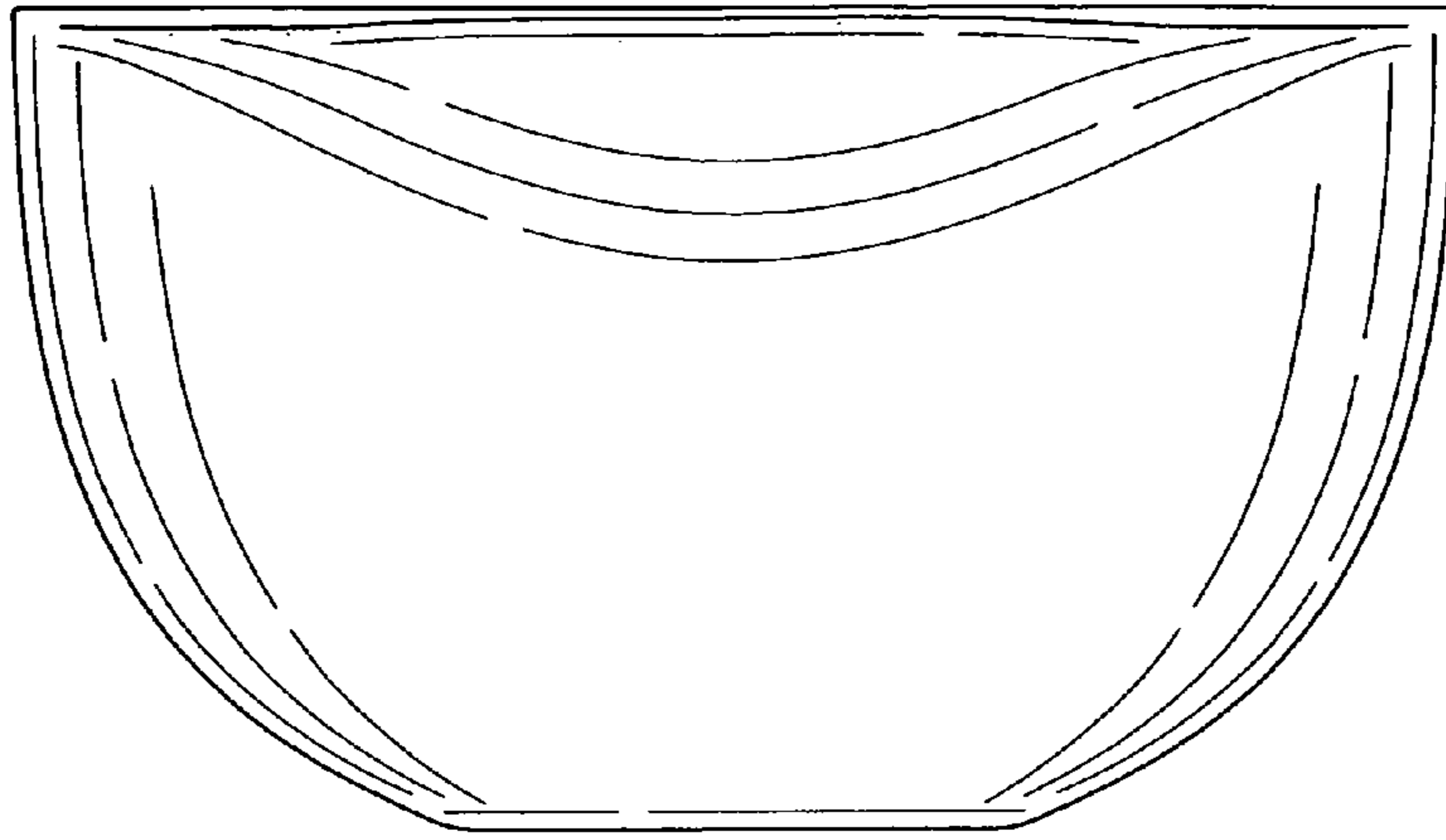


FIG. 5

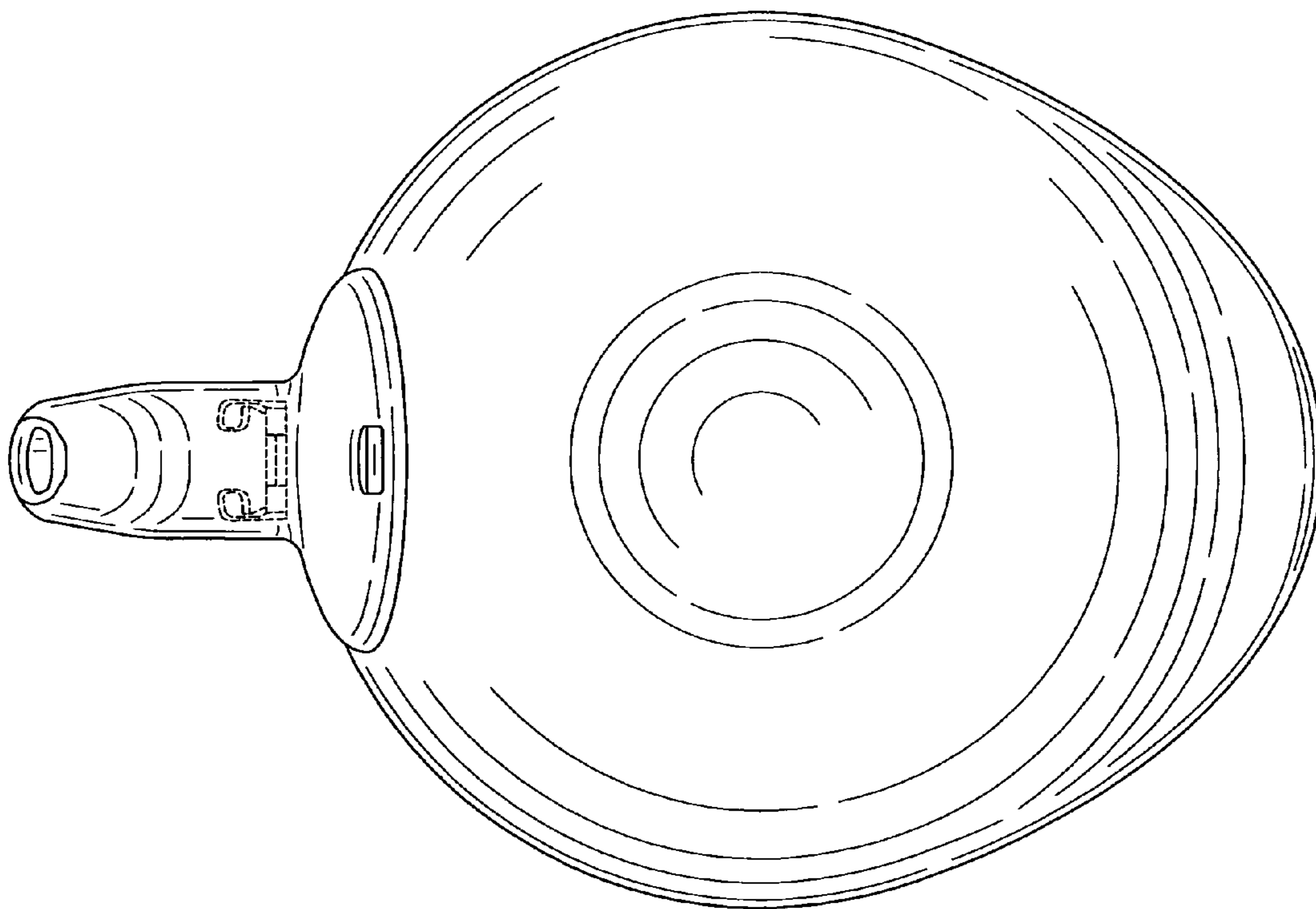


FIG. 7



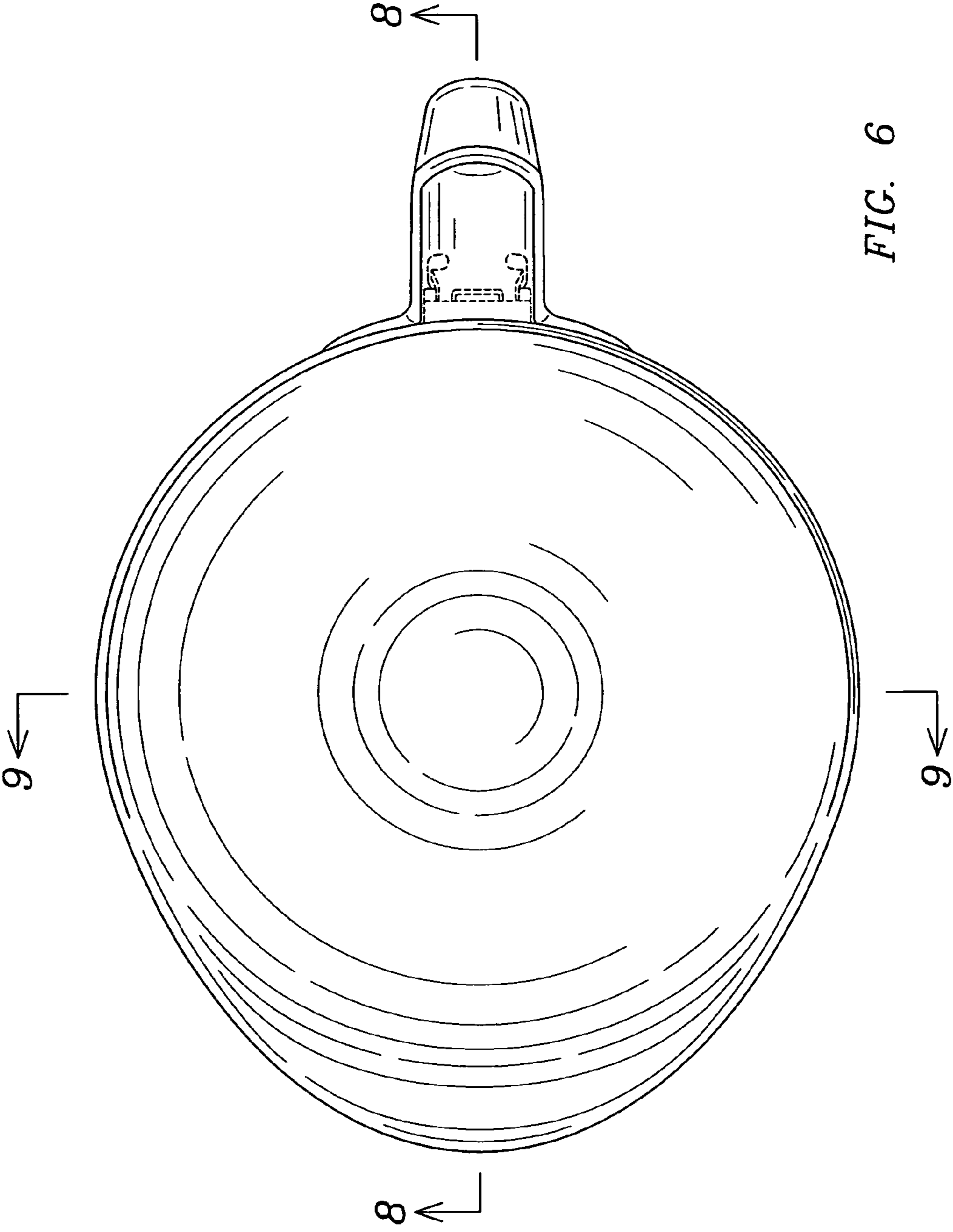


FIG. 6

FIG. 8

