



US00D673425S

(12) **United States Design Patent**
Brinckerhoff et al.

(10) **Patent No.:** **US D673,425 S**
(45) **Date of Patent:** **** Jan. 1, 2013**

(54) **MOTOR HEAD FOR A CHOPPER JAR**

(75) Inventors: **Amy Tinnell Brinckerhoff**, Newton, MA (US); **Andrea Stavrinou**, Brighton, MA (US)

(73) Assignee: **Euro-Pro Operating LLC**, Newton, MA (US)

(**) Term: **14 Years**

(21) Appl. No.: **29/399,970**

(22) Filed: **Aug. 22, 2011**

(51) **LOC (9) Cl.** **31-00**

(52) **U.S. Cl.** **D7/412; D7/376; D7/378; D7/386**

(58) **Field of Classification Search** D7/301–313, D7/316–319, 326, 356–357, 368, 372–386, D7/391–398, 412–415, 608, 665, 679, 693; D23/207; 99/326, 348, 492, 508–512; 241/30–37.5, 241/101.01–101.2, 166–169.1, 172, 272, 241/282.2, 285.1–285.3, 291, 292.1; 366/64–67, 366/98, 129, 142–144, 197–211, 241–254, 366/262, 279–292, 325.8, 325.92, 341–347; 416/75–77, 70 R, 163

See application file for complete search history.

D487,668 S	3/2004	Sands	
D532,648 S	11/2006	Sands	
D554,427 S *	11/2007	Sands	D7/378
D567,017 S *	4/2008	Garman et al.	D7/384
D572,076 S	7/2008	Ling	
D581,725 S	12/2008	Wong	
D616,304 S	5/2010	Prunier et al.	
D621,206 S	8/2010	Matta et al.	
D622,095 S	8/2010	Metaxatos et al.	
D623,890 S	9/2010	Metaxatos et al.	
D627,609 S *	11/2010	McGuyer et al.	D7/679
D629,642 S	12/2010	Miller	
D629,643 S *	12/2010	Bower	D7/378
D632,523 S	2/2011	Metaxatos et al.	
D634,155 S	3/2011	Duncan et al.	
D644,488 S	9/2011	Brinckerhoff et al.	
D644,876 S	9/2011	Brinckerhoff et al.	
D646,521 S *	10/2011	Collinson	D7/376
D651,040 S *	12/2011	Moon et al.	D7/376
D654,317 S *	2/2012	Brinckerhoff et al.	D7/413
2004/0149843 A1 *	8/2004	Tang	241/272
2005/0068847 A1 *	3/2005	Sands	366/205
2009/0032627 A1 *	2/2009	Kraszna	241/36

* cited by examiner

Primary Examiner — Ricky Pham

(74) *Attorney, Agent, or Firm* — Wolf, Greenfield & Sacks, P.C.

(57) **CLAIM**

The ornamental design of a motor head for a chopper jar, as shown and described.

(56) **References Cited**

U.S. PATENT DOCUMENTS

D269,489 S	6/1983	Akita	
D274,929 S *	7/1984	Davis et al.	D23/207
D320,326 S	10/1991	Barrault	
D320,717 S	10/1991	O'Brien	
D339,716 S	9/1993	Barrault	
D346,526 S	5/1994	Bannigan	
D366,595 S	1/1996	Dobson et al.	
D372,835 S	8/1996	Leverrier	
D380,943 S	7/1997	Wong	
D390,745 S	2/1998	Leverrier	
D395,573 S	6/1998	Leverrier	
D433,872 S	11/2000	Naft et al.	
D437,528 S *	2/2001	Kitamura et al.	D7/608
D442,009 S	5/2001	Schwarzli	
D444,668 S	7/2001	Leung	
D463,204 S	9/2002	Wade	
D478,100 S	8/2003	Wade	

DESCRIPTION

FIG. 1 is a perspective view of a motor head for a chopper jar in accordance with the present design;

FIG. 2 is a front elevational view thereof;

FIG. 3 is a rear elevational view thereof;

FIG. 4 is a left side elevational view thereof;

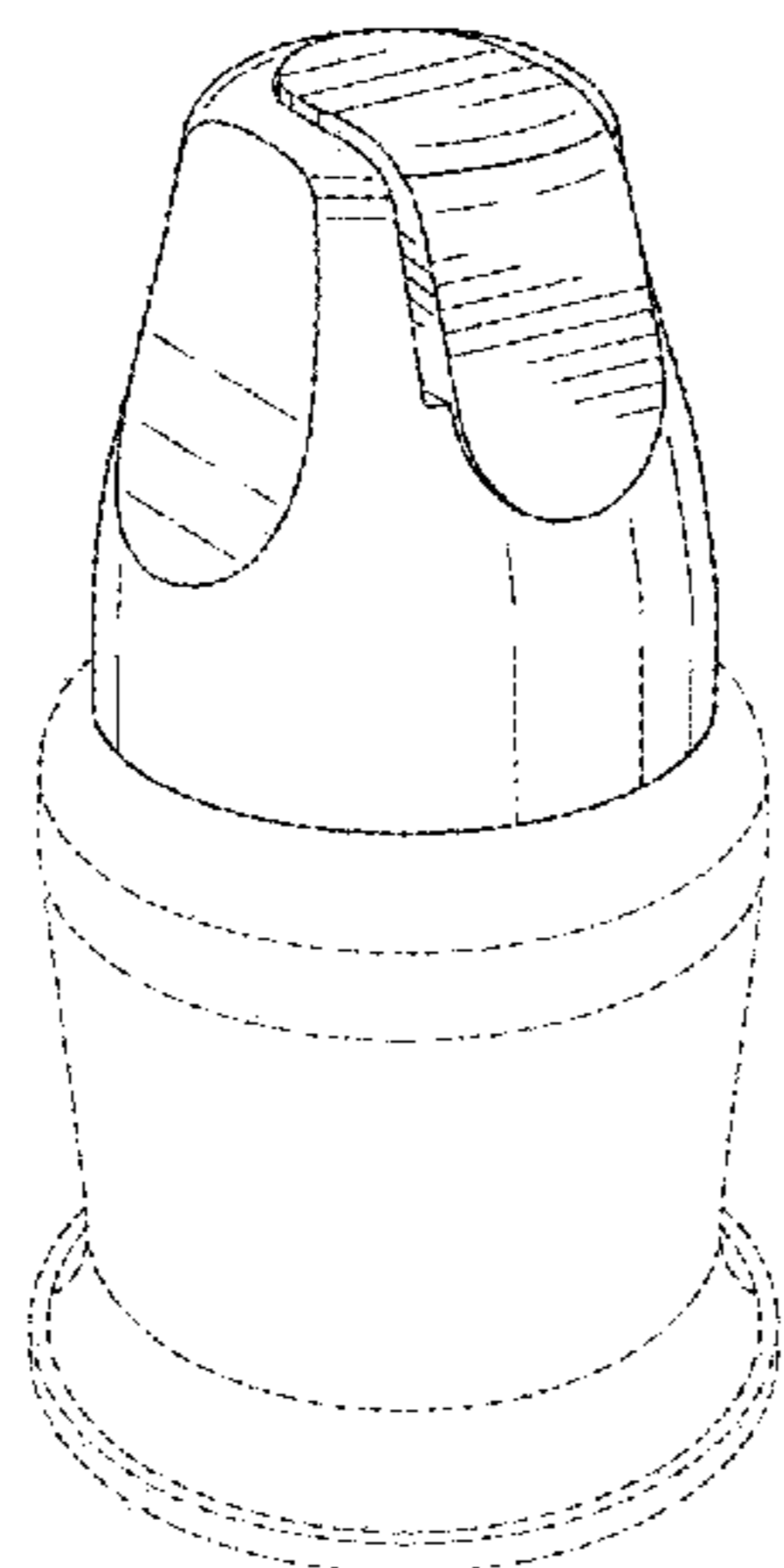
FIG. 5 is a right side elevational view thereof;

FIG. 6 is a top plan view thereof;

FIG. 7 is a bottom plan view thereof; and,

FIG. 8 is a perspective view of a motor head on a chopper jar. The broken lines in the drawings are for illustrative purposes only and form no part of the claimed design.

1 Claim, 3 Drawing Sheets



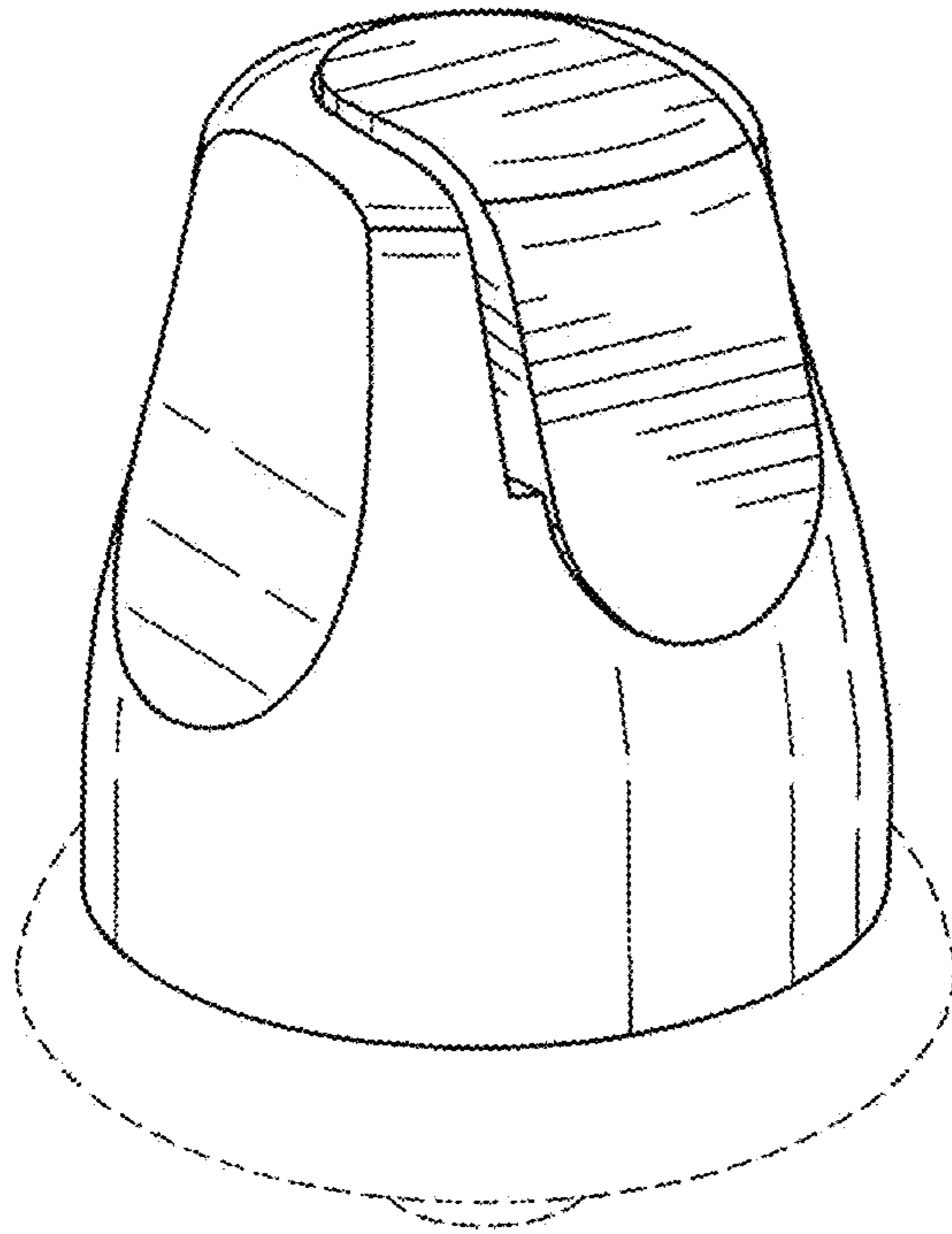


FIG. 1

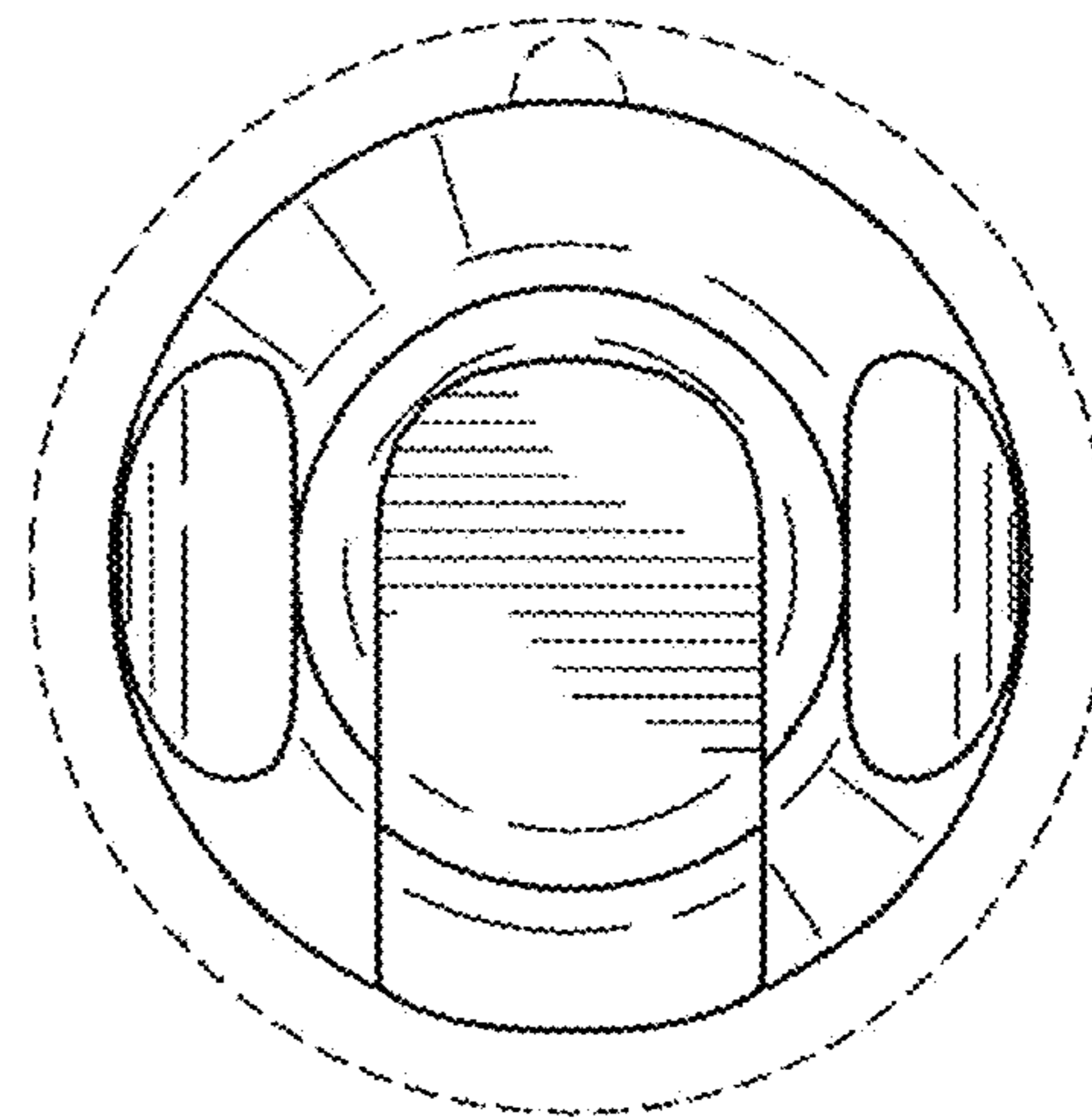


FIG. 6

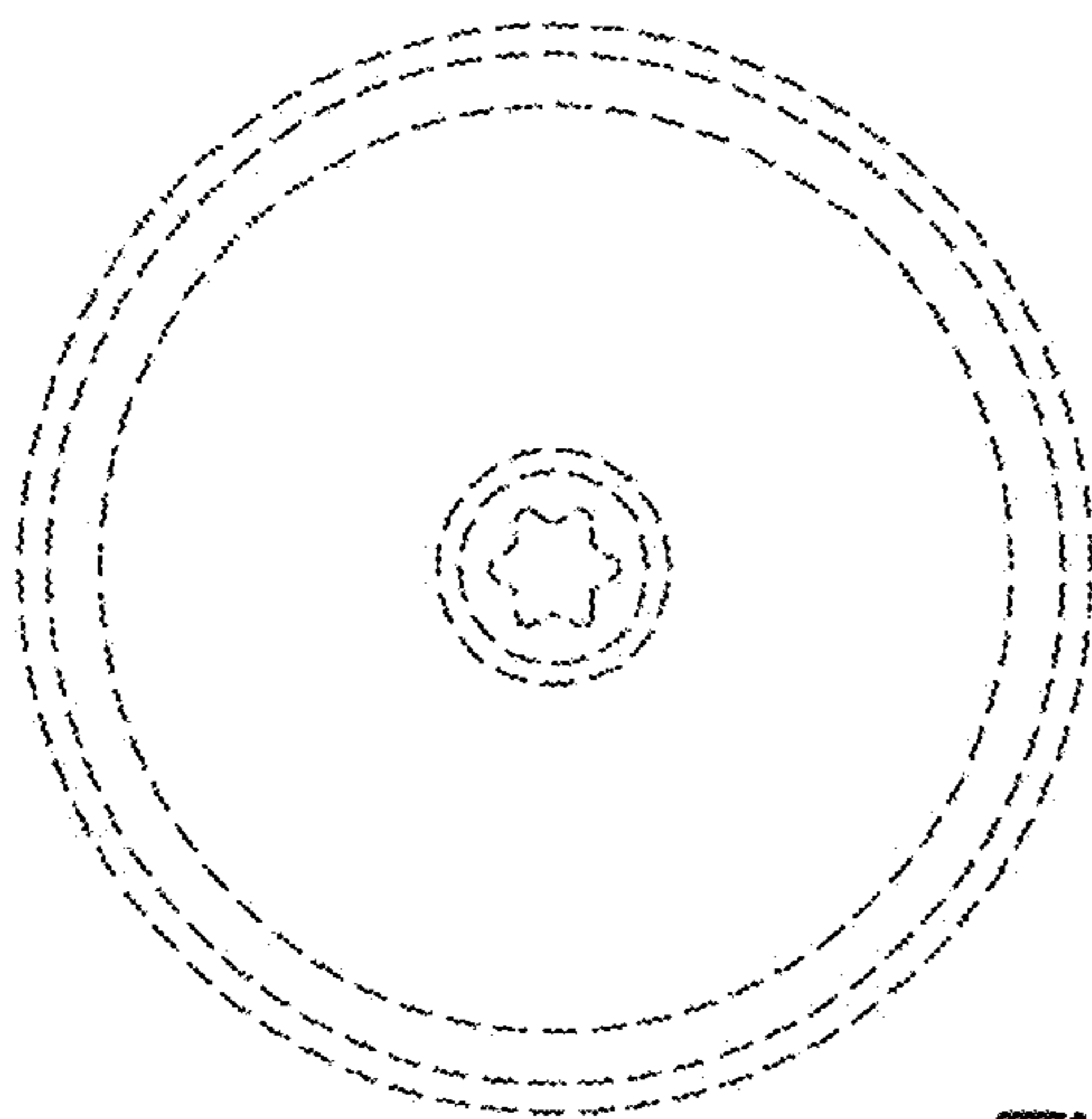


FIG. 7

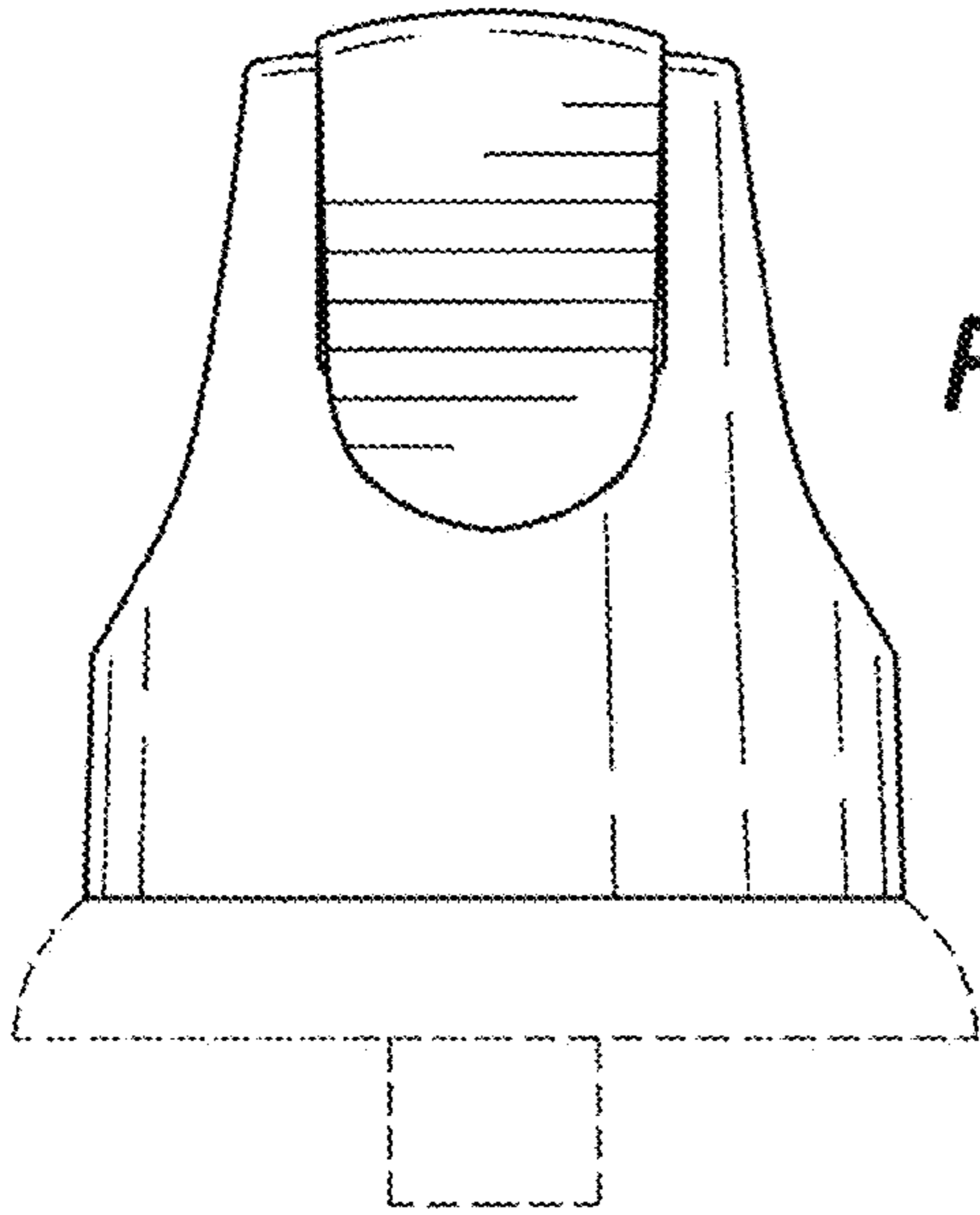


FIG. 2

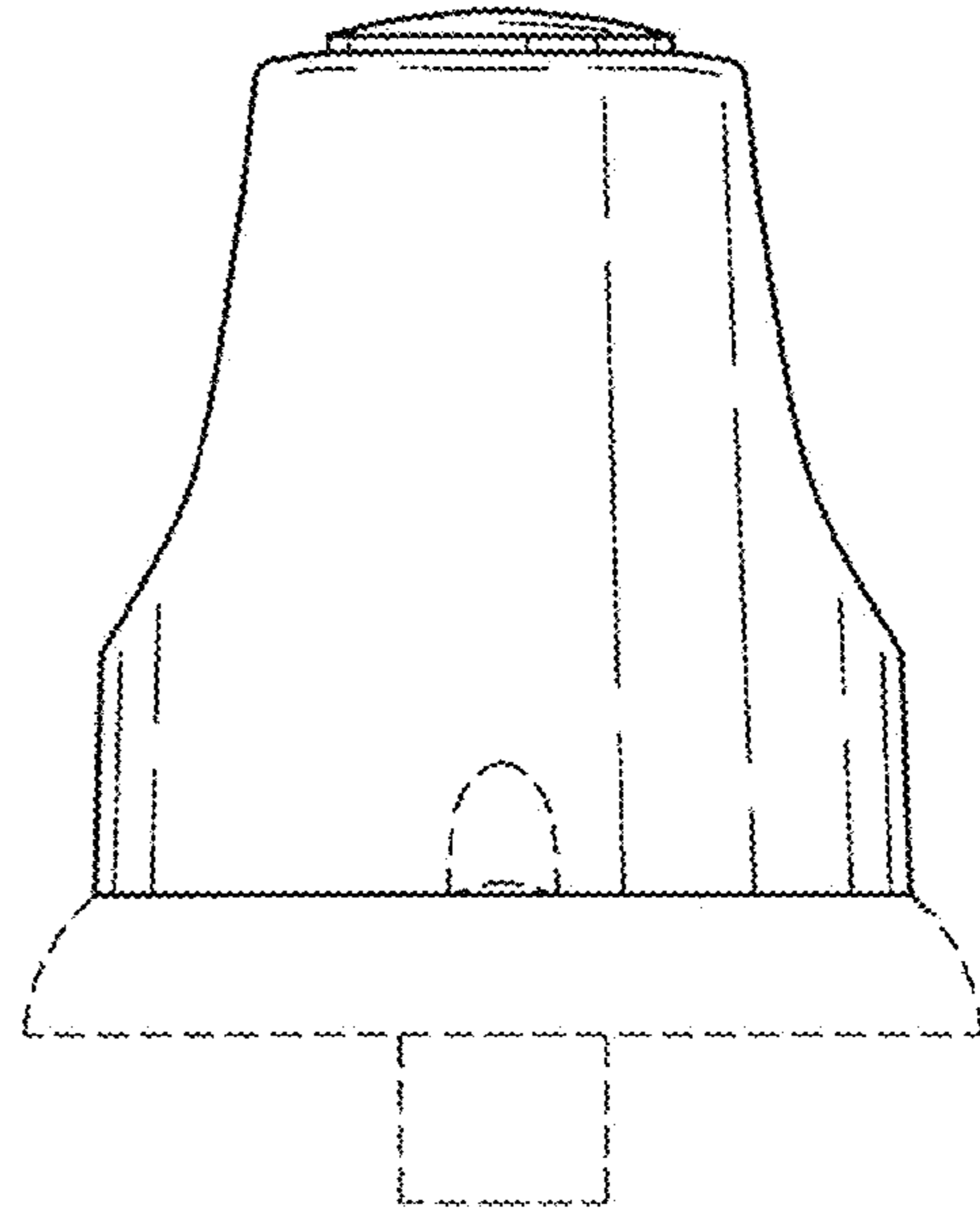


FIG. 3

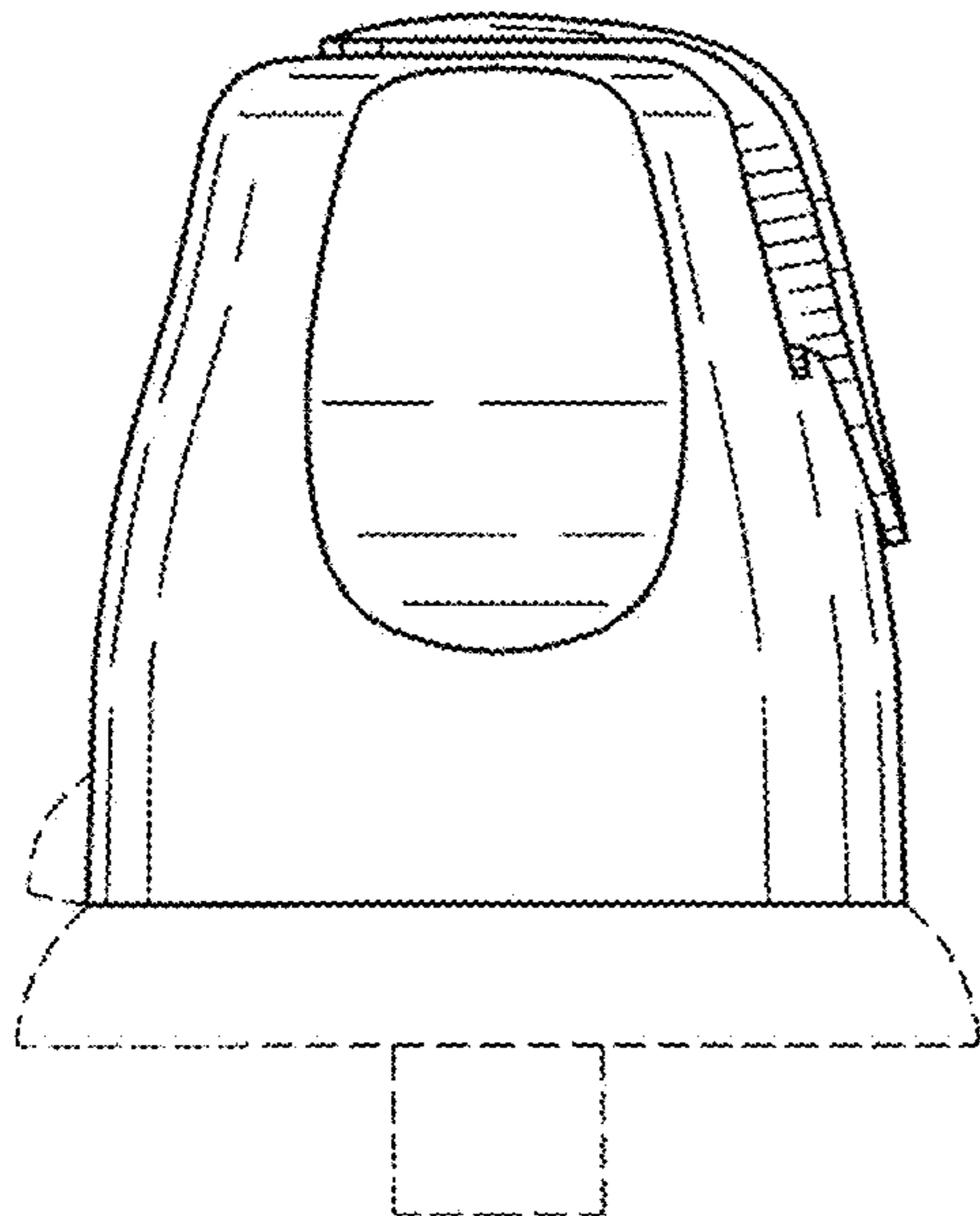


FIG. 4

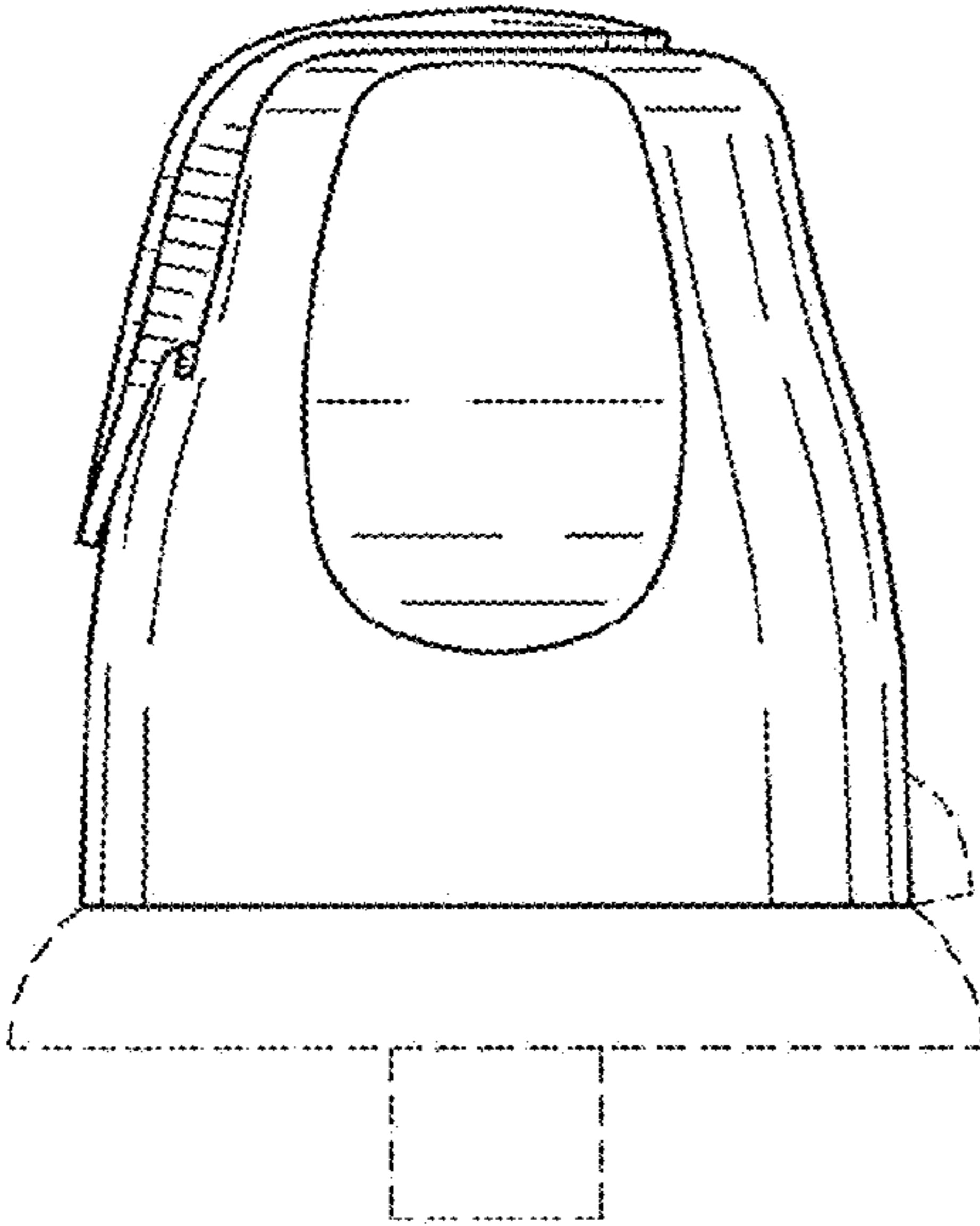


FIG. 5

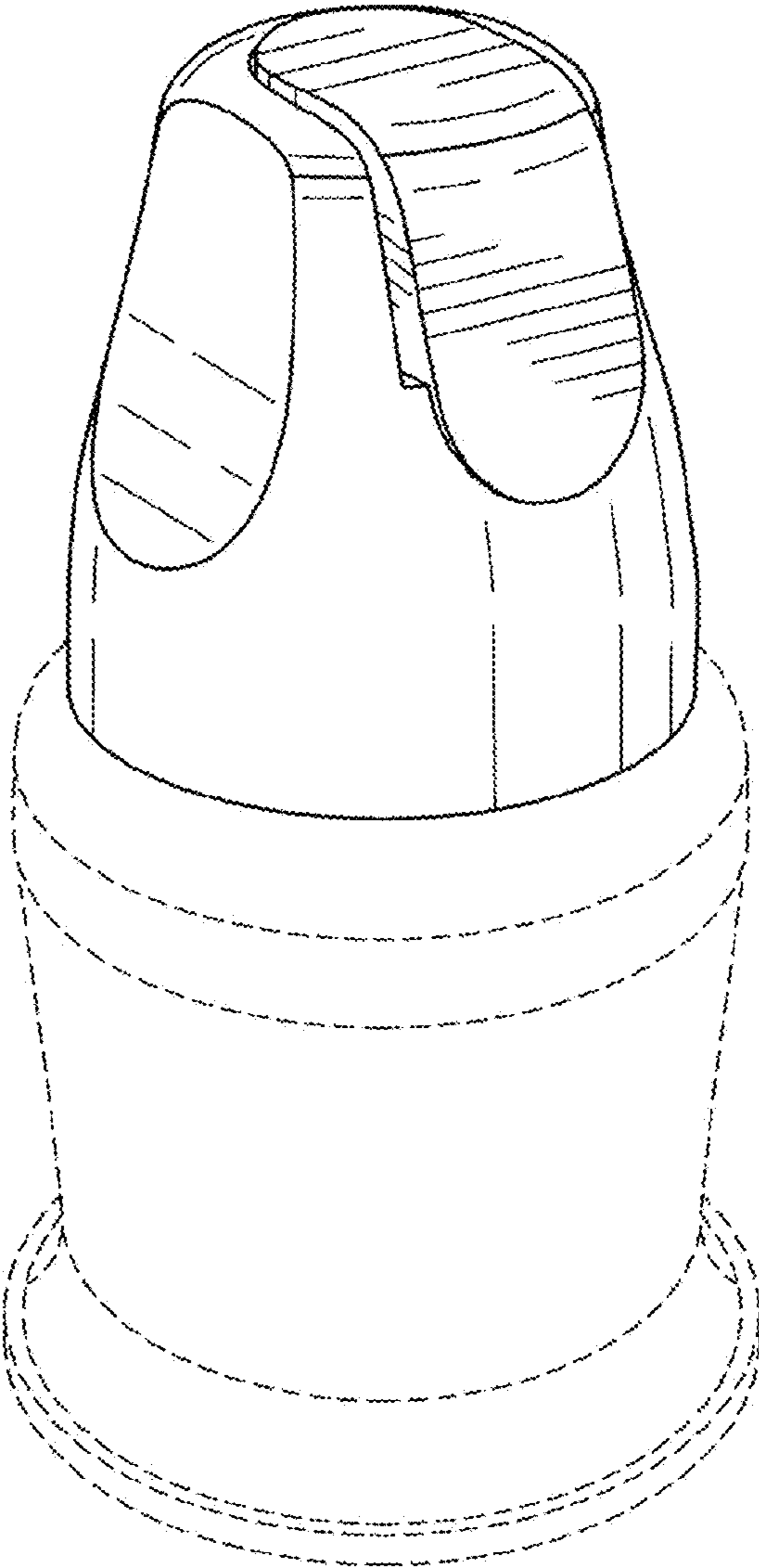


FIG. 8